



US00D894026S

(12) **United States Design Patent**
Lievore

(10) **Patent No.:** **US D894,026 S**

(45) **Date of Patent:** **** Aug. 25, 2020**

(54) **AXLE SENSOR MOUNTINGS**
(71) Applicant: **Samuel Neil Lievore**, Elkhart, IN (US)
(72) Inventor: **Samuel Neil Lievore**, Elkhart, IN (US)

(73) Assignee: **Dexter Axle Company**, Elkhart, IN (US)

(**) Term: **15 Years**

(21) Appl. No.: **29/651,673**

(22) Filed: **Dec. 14, 2018**

(51) **LOC (12) Cl.** **10-04**

(52) **U.S. Cl.**
USPC **D10/94; D10/103**

(58) **Field of Classification Search**
USPC D10/83, 87, 88, 94, 103
CPC G01P 3/443; G01P 3/446
See application file for complete search history.

(56) **References Cited**

U.S. PATENT DOCUMENTS

3,761,751 A * 9/1973 Fink G01P 3/443
310/168
3,787,807 A * 1/1974 Anselmino B60T 8/329
340/438

D287,703 S * 1/1987 Kobos G01N 29/2412
D10/103
6,981,419 B1 * 1/2006 Hay G01N 29/226
73/636
7,389,694 B1 * 6/2008 Hay G01N 29/2412
73/600

* cited by examiner

Primary Examiner — Antoine Duval Davis

(74) *Attorney, Agent, or Firm* — Botkin & Hall, LLP

(57) **CLAIM**

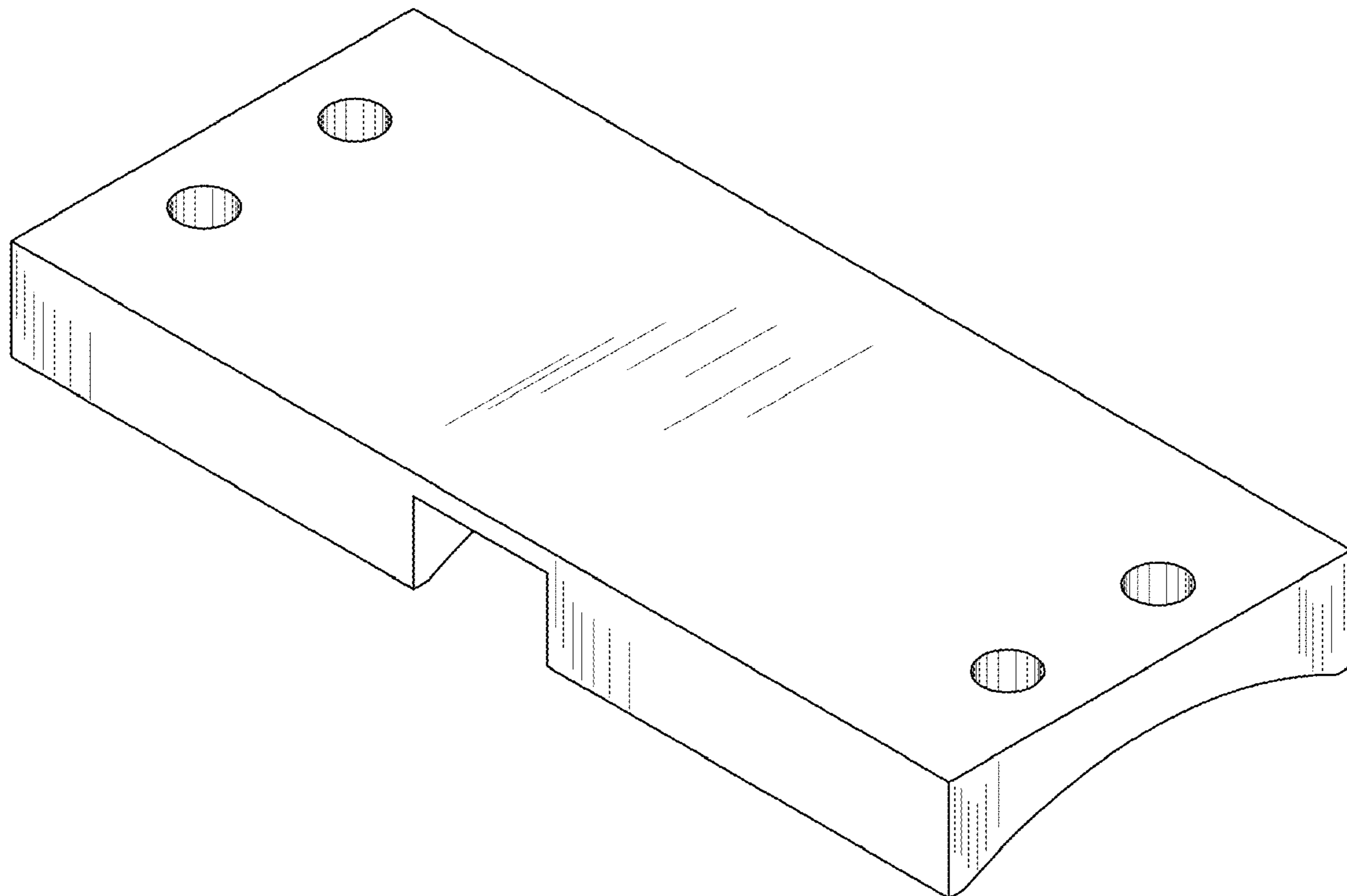
The ornamental design for axle sensor mountings, substantially as shown and described above.

DESCRIPTION

FIG. 1 shows an isometric view of the sensor mounting; FIG. 2 shows a bottom view of the sensor mounting of FIG. 1; FIG. 3 shows a top view of the sensor mounting of FIG. 1; FIG. 4 shows a front view of the sensor mounting of FIG. 1, with the back view being identical; FIG. 5 shows a left side view of the sensor mounting of FIG. 1, with the right side being identical; FIG. 6 shows an isometric view of the sensor mounting of FIG. 1 as attached to an axle; and, FIG. 7 shows an enlarged view of the sensor mounting of FIG. 6.

Broken lines illustrate features that form no part of the claimed design.

1 Claim, 4 Drawing Sheets



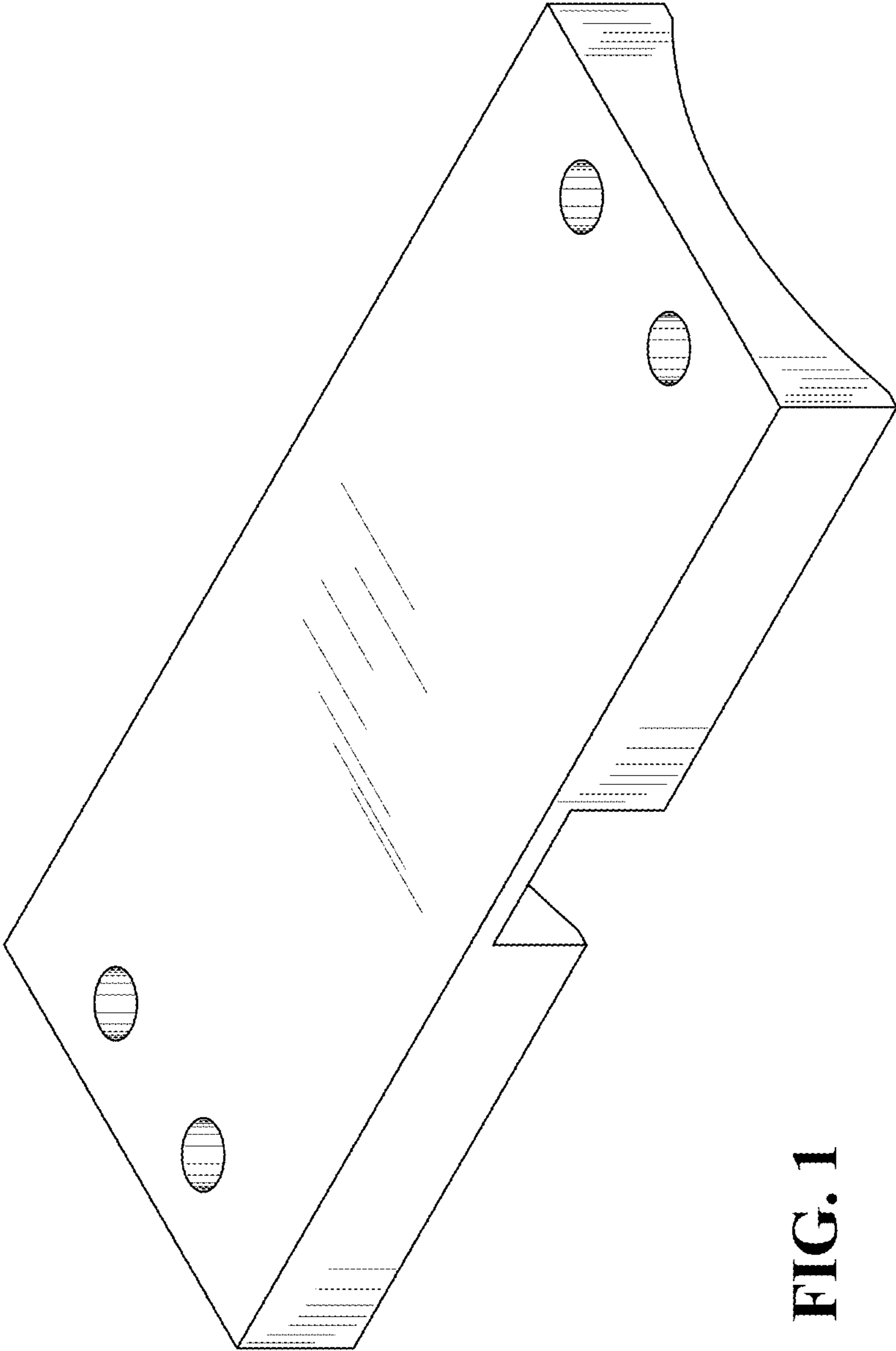


FIG. 1

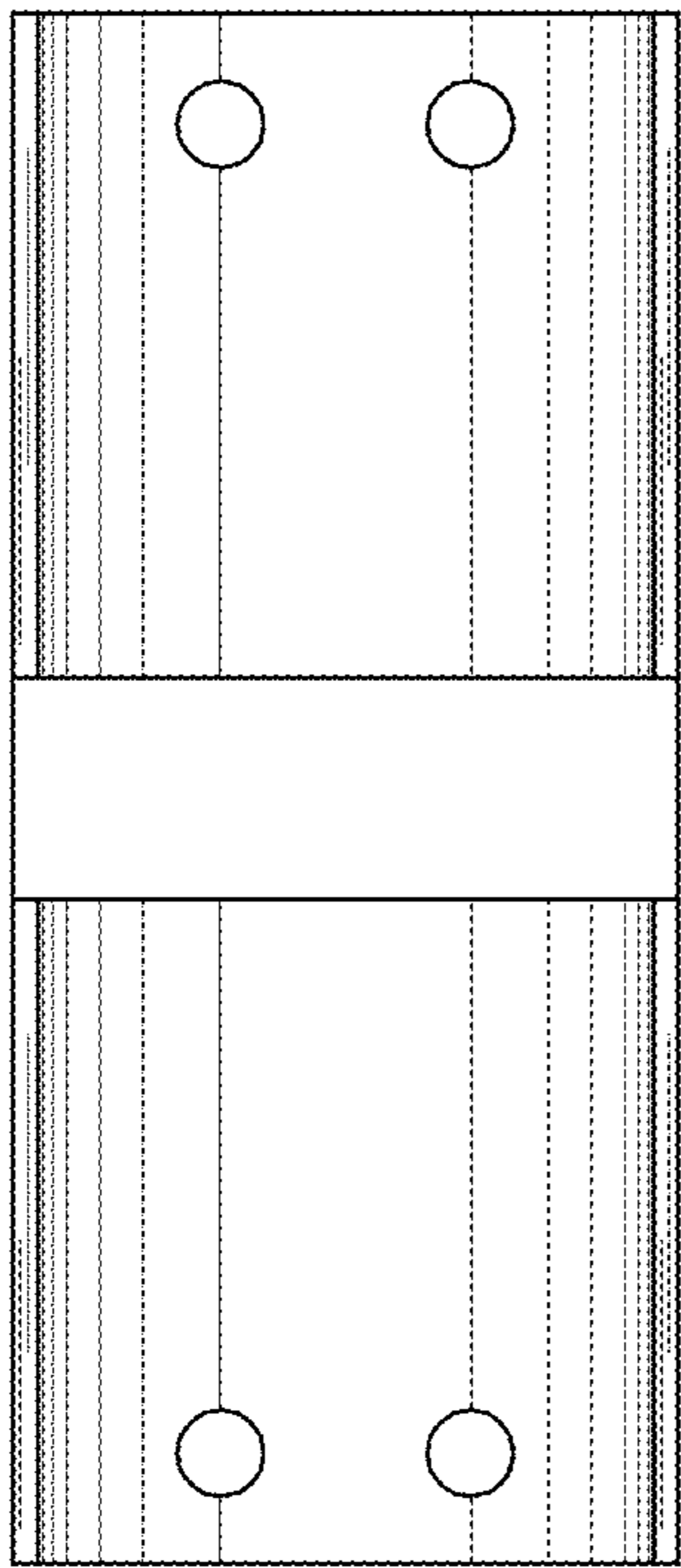


FIG. 2

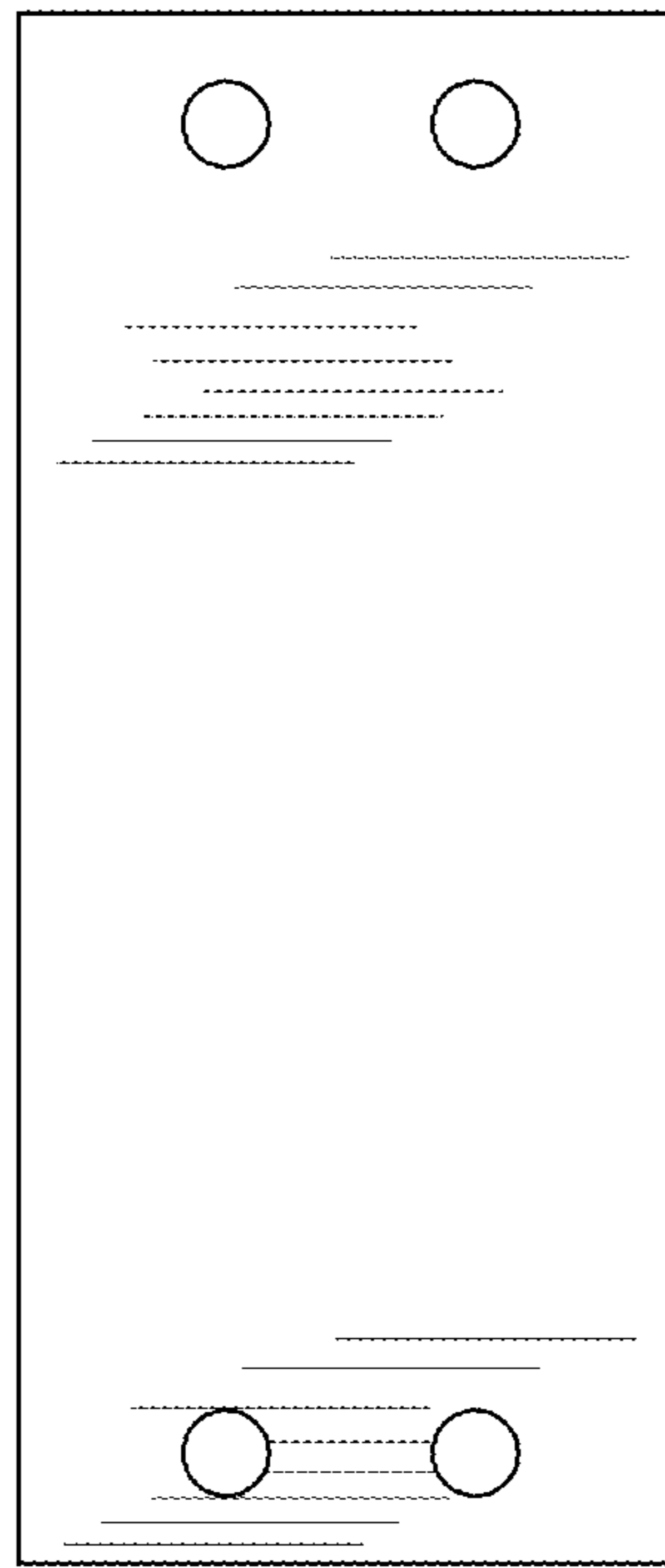


FIG. 3

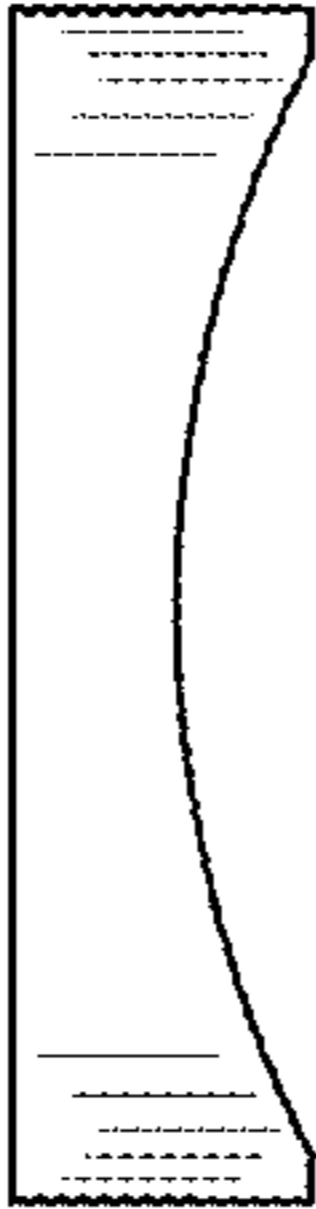


FIG. 5

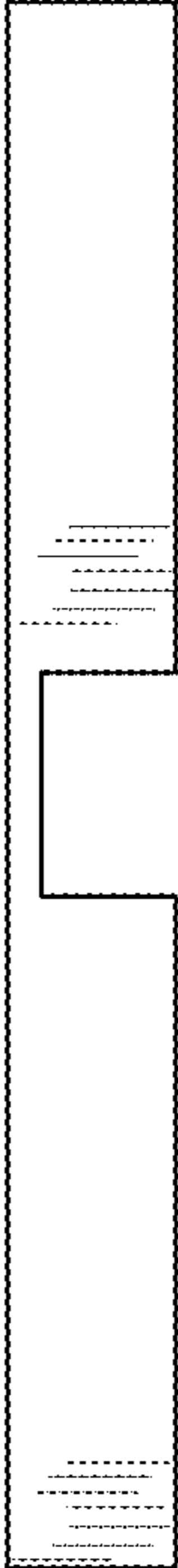


FIG. 4

