

US00D894025S

(12) **United States Design Patent** (10) **Patent No.:** **US D894,025 S**
Kaida et al. (45) **Date of Patent:** **** Aug. 25, 2020**

(54) **ELECTRIC CHARACTERISTIC MEASURING PROBE**

(71) Applicants: **Nidec-Read Corporation**, Kyoto-shi, Kyoto (JP); **SV Probe Technology Taiwan Co., Ltd.**, Zhubei, Hsinchu County (TW)

(72) Inventors: **Michio Kaida**, Kyoto (JP); **Huei Che Yu**, Zhubei (TW)

(73) Assignees: **NIDEC-READ CORPORATION**, Kyoto-shi (JP); **SV PROBE TECHNOLOGY TAIWAN CO., LTD.**, Zhubei (TW)

(**) Term: **15 Years**

(21) Appl. No.: **29/670,517**

(22) Filed: **Nov. 16, 2018**

(30) **Foreign Application Priority Data**

May 16, 2018 (JP) 2018-010760

(51) **LOC (12) Cl.** **10-04**

(52) **U.S. Cl.**
USPC **D10/78**

(58) **Field of Classification Search**
USPC D10/46, 78, 80
CPC G01R 1/06; G01R 1/067; G01R 1/06705; G01R 1/06711; G01R 1/06716; G01R 1/06722; G01R 1/06727; G01R 1/06733; G01R 1/06738; G01R 1/06744; G01R 1/0675; G01R 1/06766; G01R 1/06772; G01R 1/06777; G01R 1/06783; G01R 1/06788; G01R 1/06794; G01R 1/07; G01R 1/071; G01R 1/072; G01R 3/00; G01R

(Continued)

(56) **References Cited**

U.S. PATENT DOCUMENTS

D507,198 S * 7/2005 Kister D10/78
D510,043 S * 9/2005 Kister D10/78

(Continued)

Primary Examiner — Antoine Duval Davis

(74) *Attorney, Agent, or Firm* — Westerman, Hattori, Daniels & Adrian, LLP

(57) **CLAIM**

The ornamental design for an electric characteristic measuring probe, as shown and described.

DESCRIPTION

FIG. 1 is a perspective view of an electric characteristic measuring probe, showing our new design; FIG. 2 is a front elevational view thereof; FIG. 3 is a rear elevational view thereof; FIG. 4 is a right side elevational view thereof; FIG. 5 is a left side elevational view thereof; FIG. 6 is a top plan view thereof; FIG. 7 is a bottom plan view thereof; FIG. 8 is an enlarged top plan view thereof; FIG. 9 is an enlarged bottom plan view thereof; FIG. 10 is an enlarged partial perspective view thereof, taken along line 10-10 of FIG. 1; FIG. 11 is a an enlarged cross-sectional view thereof, taken along line 11-11 of FIG. 2; FIG. 12 is an enlarged partial front elevational view thereof, taken along line 12-12 of FIG. 2; and, FIG. 13 is an enlarged partial right side elevational view thereof, taken along line 13-13 of FIG. 4.

The broken line portions of the design are included to show unclaimed portions and form no part of the claimed design. Annotated drawings showing one non-limiting example of the article in use is provided in the accompanying Appendix, which may be deleted prior to printing of any patent that grants from the present application.

1 Claim, 11 Drawing Sheets

10

10

(58) **Field of Classification Search**

CPC 31/2886; G01R 31/2887; G01R 13/2889;
G01R 31/2891; H01R 2201/20

See application file for complete search history.

(56) **References Cited**

U.S. PATENT DOCUMENTS

7,671,610 B2 * 3/2010 Kister G01R 1/07314
324/750.16
D769,748 S * 10/2016 Teranishi D10/78
D769,749 S * 10/2016 Teranishi D10/78
D776,551 S * 1/2017 Teranishi D10/78
D776,552 S * 1/2017 Teranishi G01R 1/07314
D10/78
10,132,833 B2 * 11/2018 Eldridge G01R 1/07357

* cited by examiner

FIG. 1

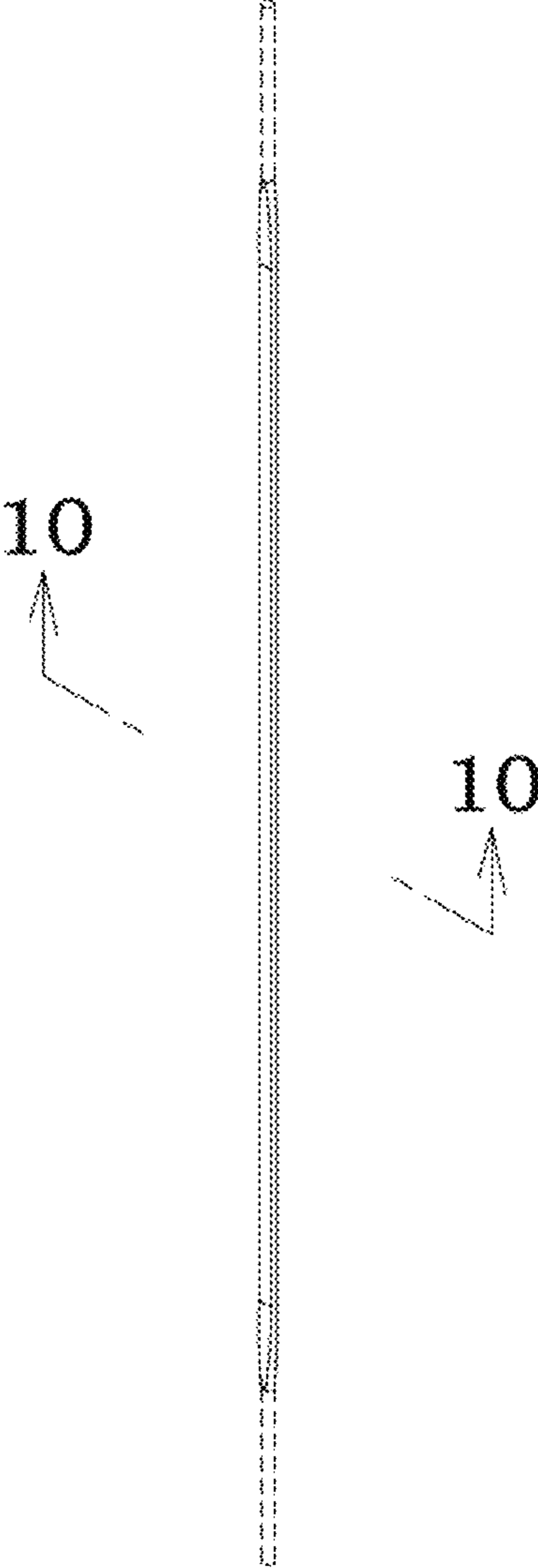


FIG. 2

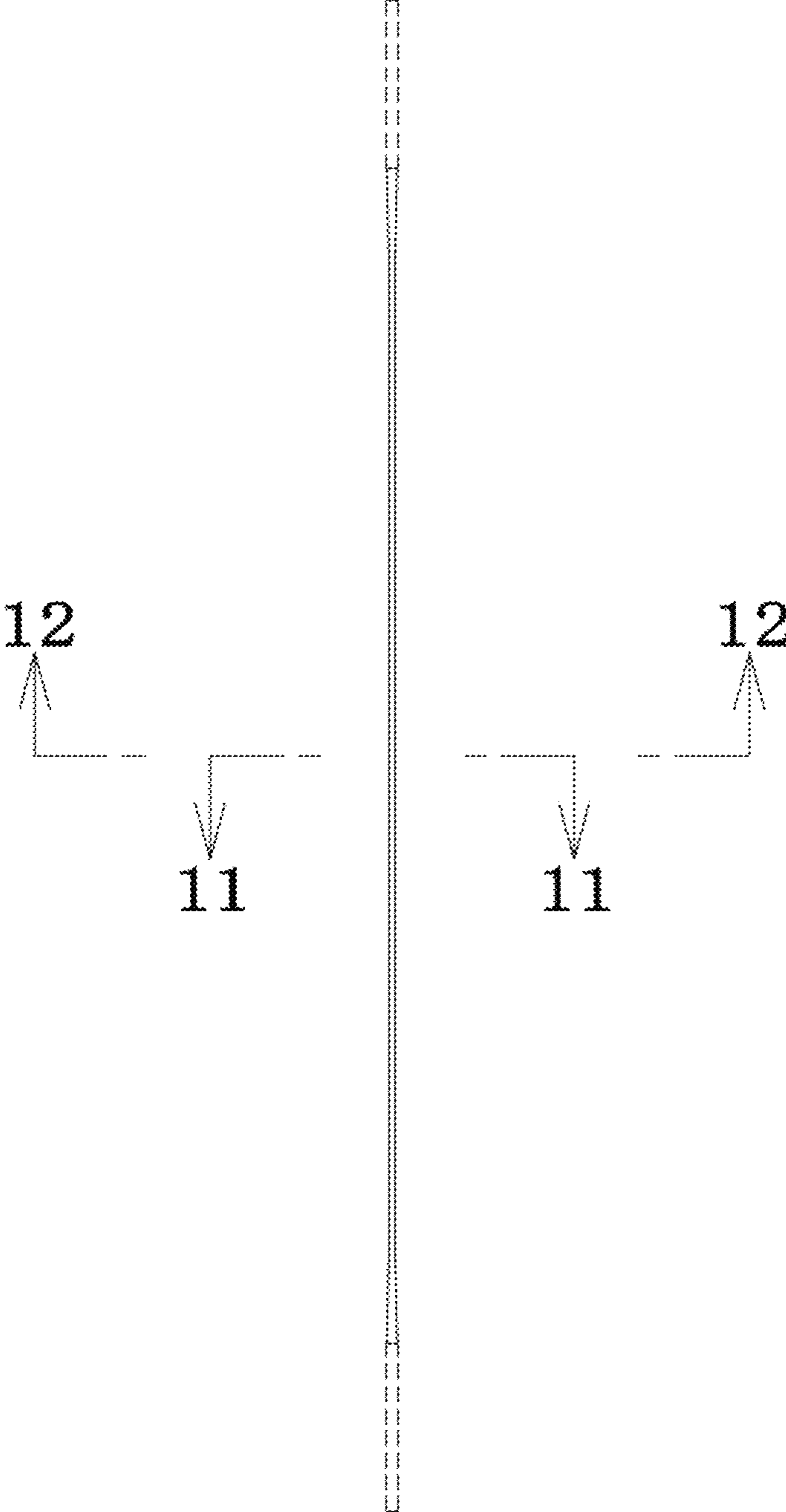


FIG. 3

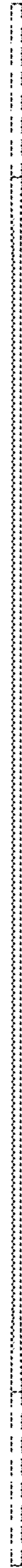


FIG. 4

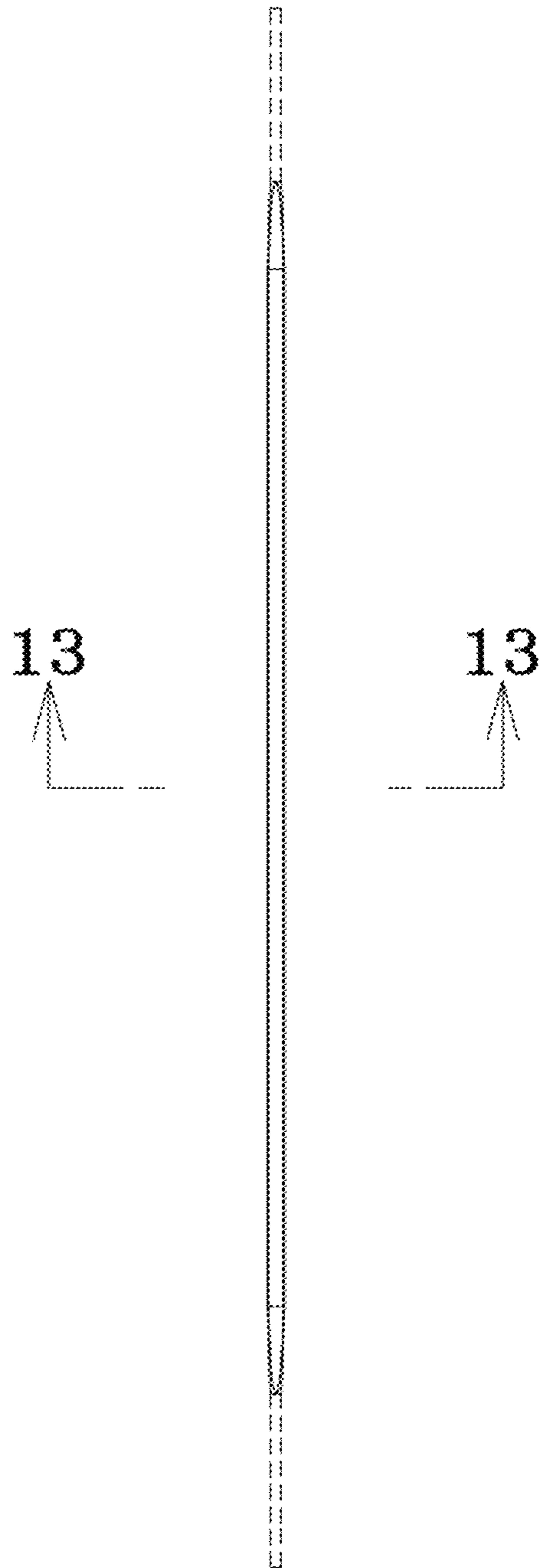


FIG. 5



FIG. 6

❖

FIG. 7

❖

FIG. 8

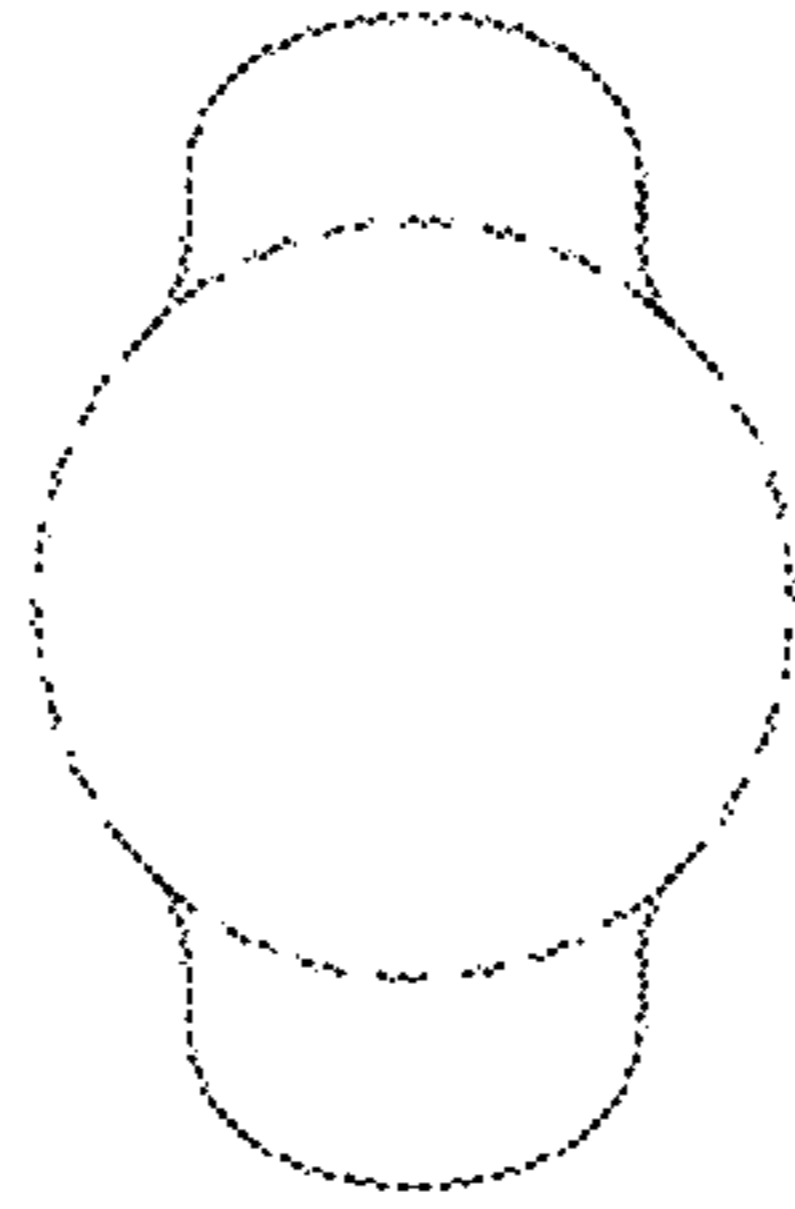


FIG. 9

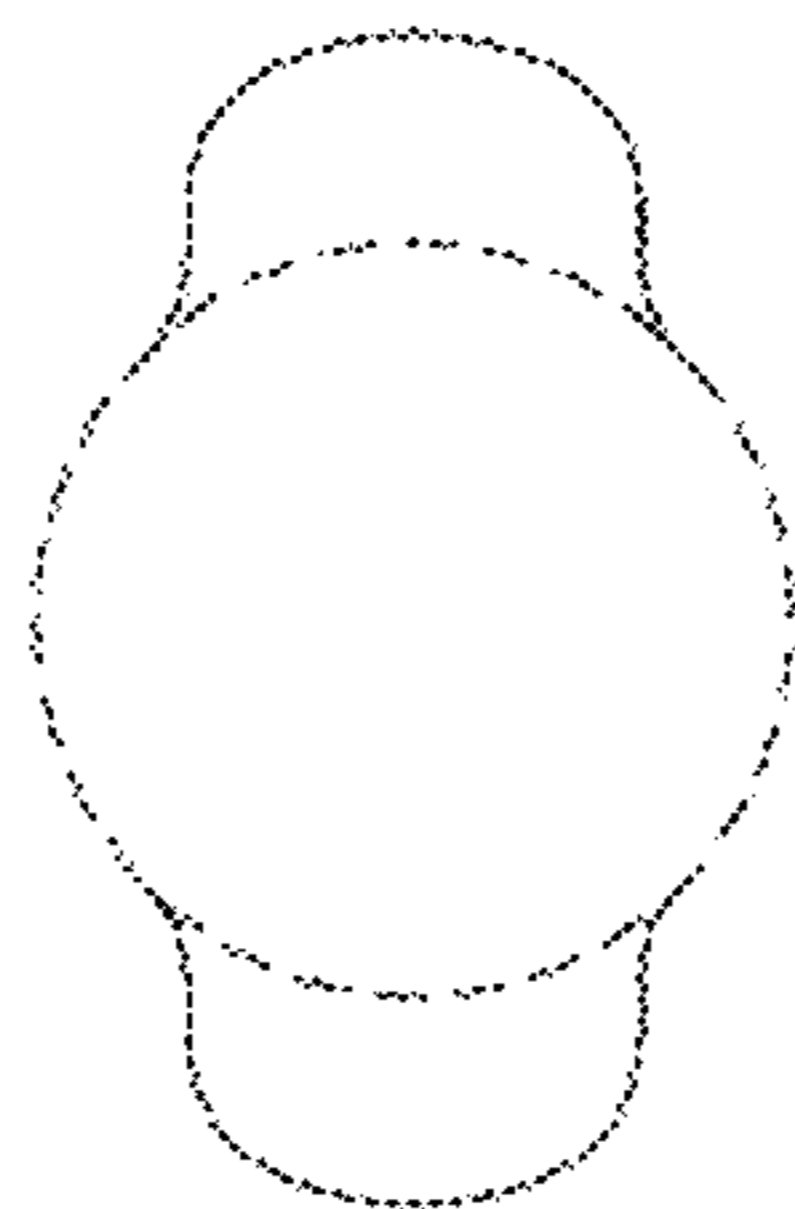


FIG. 10

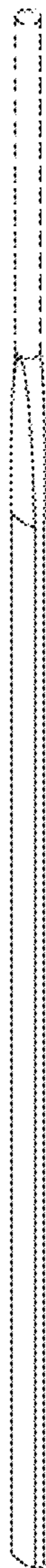


FIG. 11

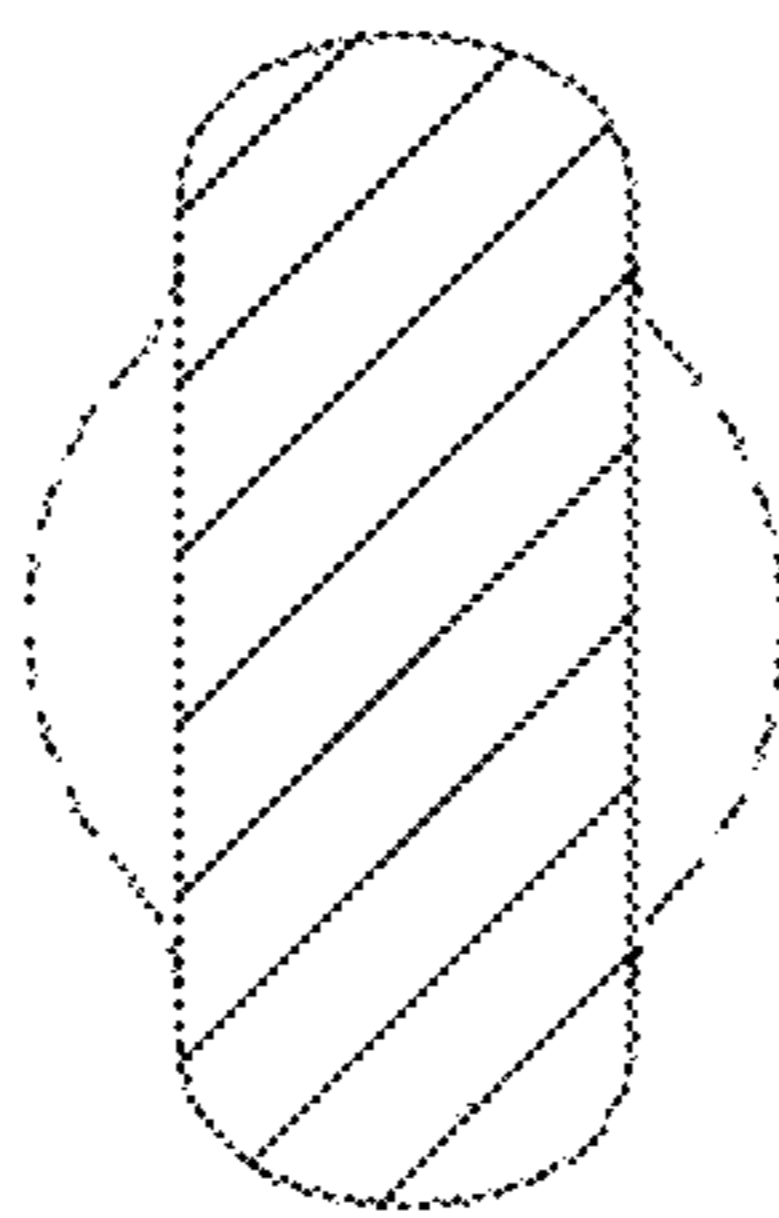


FIG. 12

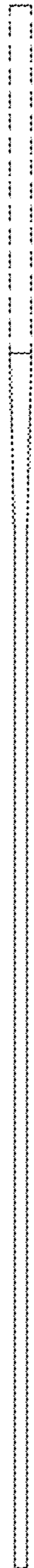


FIG. 13

