



US00D894024S

(12) **United States Design Patent**  
**Hollenberg et al.**

(10) **Patent No.:** **US D894,024 S**  
(45) **Date of Patent:** **\*\* Aug. 25, 2020**

(54) **HOUSING FOR A TEST AND MEASUREMENT INSTRUMENT**

(74) *Attorney, Agent, or Firm* — Miller Nash Graham & Dunn; Andrew J. Harrington

(71) Applicant: **Tektronix, Inc.**, Beaverton, OR (US)

(57) **CLAIM**

(72) Inventors: **Brian A. Hollenberg**, Sherwood, OR (US); **Jessica Anna Dunn**, Beaverton, OR (US); **Stephen LaFrance**, Portland, OR (US); **Taylor S. K. Heen**, Beaverton, OR (US); **Jonathan D. Clem**, Hillsboro, OR (US); **Joshua J. O'Brien**, Aloha, OR (US); **Preston S. Gabel**, Mill Creek, WA (US); **Marc A. Gessford**, North Plains, OR (US)

The ornamental design for a housing for a test and measurement instrument, as shown and described.

(73) Assignee: **Tektronix, Inc.**, Beaverton, OR (US)

**DESCRIPTION**

(\*\*) Term: **15 Years**

(21) Appl. No.: **29/673,538**

(22) Filed: **Dec. 14, 2018**

(51) **LOC (12) Cl.** ..... **10-04**

(52) **U.S. Cl.**  
USPC ..... **D10/76**

(58) **Field of Classification Search**  
USPC ..... D10/46, 76  
CPC .... G01R 13/20; G01R 13/202; G01R 13/405;  
G01R 13/208; G01R 13/204; G01R 13/206;  
G01R 13/22; G01R 13/225; G01R 13/24;  
G01R 13/2245; G01R 13/26; G01R 13/28;

FIG. 1 is a front-side isometric view of a housing for a test and measurement instrument.  
FIG. 2 is a rear-side isometric view of the housing for the test and measurement instrument of FIG. 1.  
FIG. 3 is a front view of the housing for the test and measurement instrument of FIG. 1.  
FIG. 4 is a rear view of the housing for the test and measurement instrument of FIG. 1.  
FIG. 5 is a left-side view of the housing for the test and measurement instrument of FIG. 1.  
FIG. 6 is a right-side view of the housing for the test and measurement instrument of FIG. 1.  
FIG. 7 is a top view of the housing for the test and measurement instrument of FIG. 1.  
FIG. 8 is a bottom view of the housing for the test and measurement instrument of FIG. 1.  
FIG. 9 is a front-side perspective view of an alternative embodiment of the test and measurement instrument of FIG. 1.  
FIG. 10 is a rear-side isometric view of the housing for the test and measurement instrument of FIG. 9.  
FIG. 11 is a front view of the housing for the test and measurement instrument of FIG. 9.  
FIG. 12 is a rear view of the housing for the test and measurement instrument of FIG. 9.  
FIG. 13 is a left-side view of the housing for the test and measurement instrument of FIG. 9.  
FIG. 14 is a right-side view of the housing for the test and measurement instrument of FIG. 9.  
FIG. 15 is a top view of the housing for the test and measurement instrument of FIG. 9.  
FIG. 16 is a bottom view of the housing for the test and measurement instrument of FIG. 9.

(Continued)

(56) **References Cited**

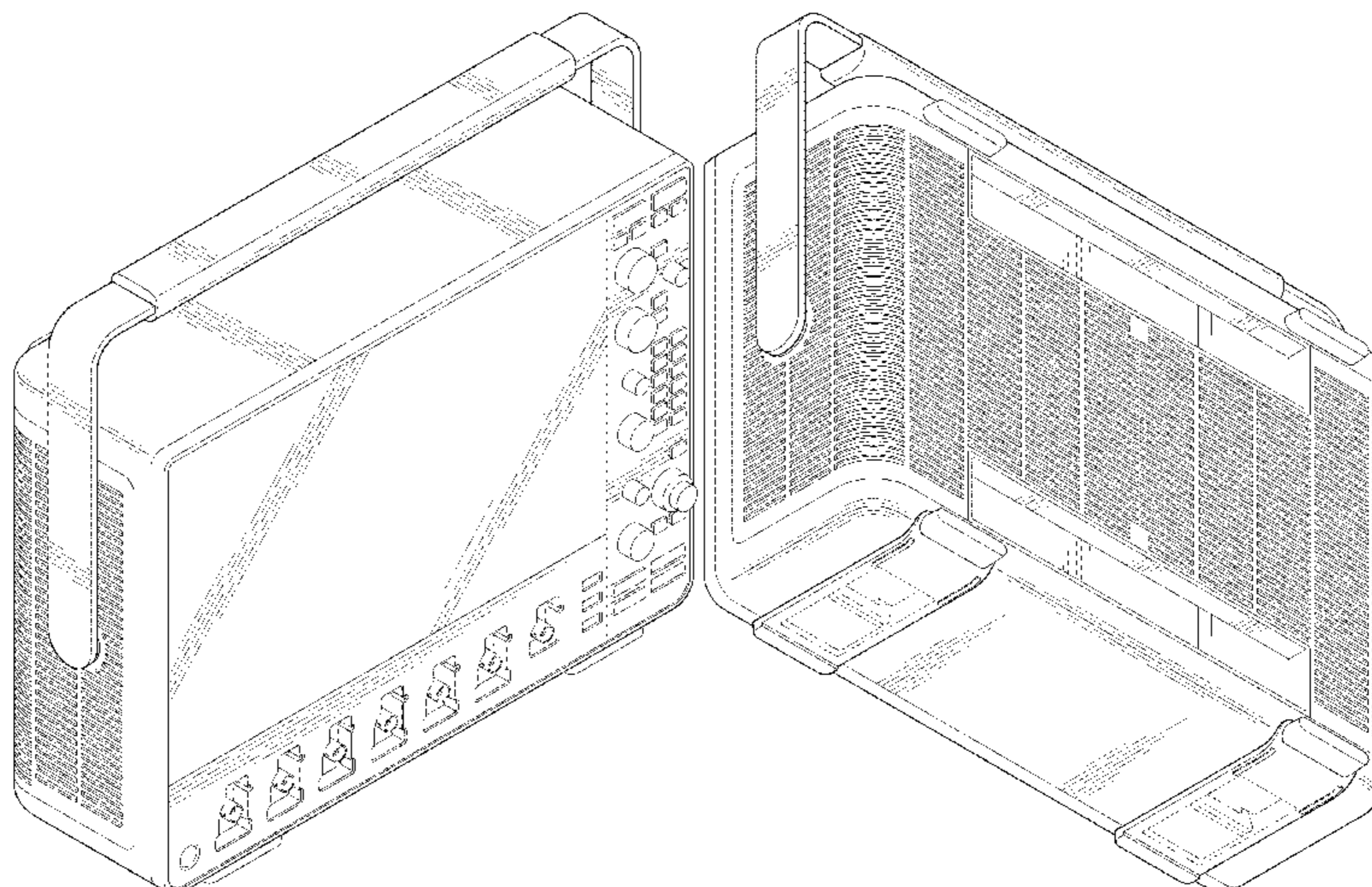
**U.S. PATENT DOCUMENTS**

8,195,413 B2 \* 6/2012 Freidhof ..... G01R 13/345  
324/76.11

\* cited by examiner

*Primary Examiner* — Antoine Duval Davis

(Continued)



The portions of the housing for the test and measurement instrument shown in broken lines form no part of the claimed design.

**1 Claim, 12 Drawing Sheets**

**(58) Field of Classification Search**

CPC ..... G01R 13/30; G01R 13/305; G01R 13/32;  
G01R 13/325; G01R 13/34; G01R  
13/347; G01R 13/342; G01R 13/345;  
G01R 13/36; G01R 13/38; G01R 13/40;  
G01R 13/401; G01R 13/402; G01R  
13/403; G01R 13/404; G01R 13/406;  
G01R 13/407; G01R 13/408; G01R  
13/42; G01R 31/316; G01R 31/3161;  
G01R 31/3163; G01R 31/3137

See application file for complete search history.

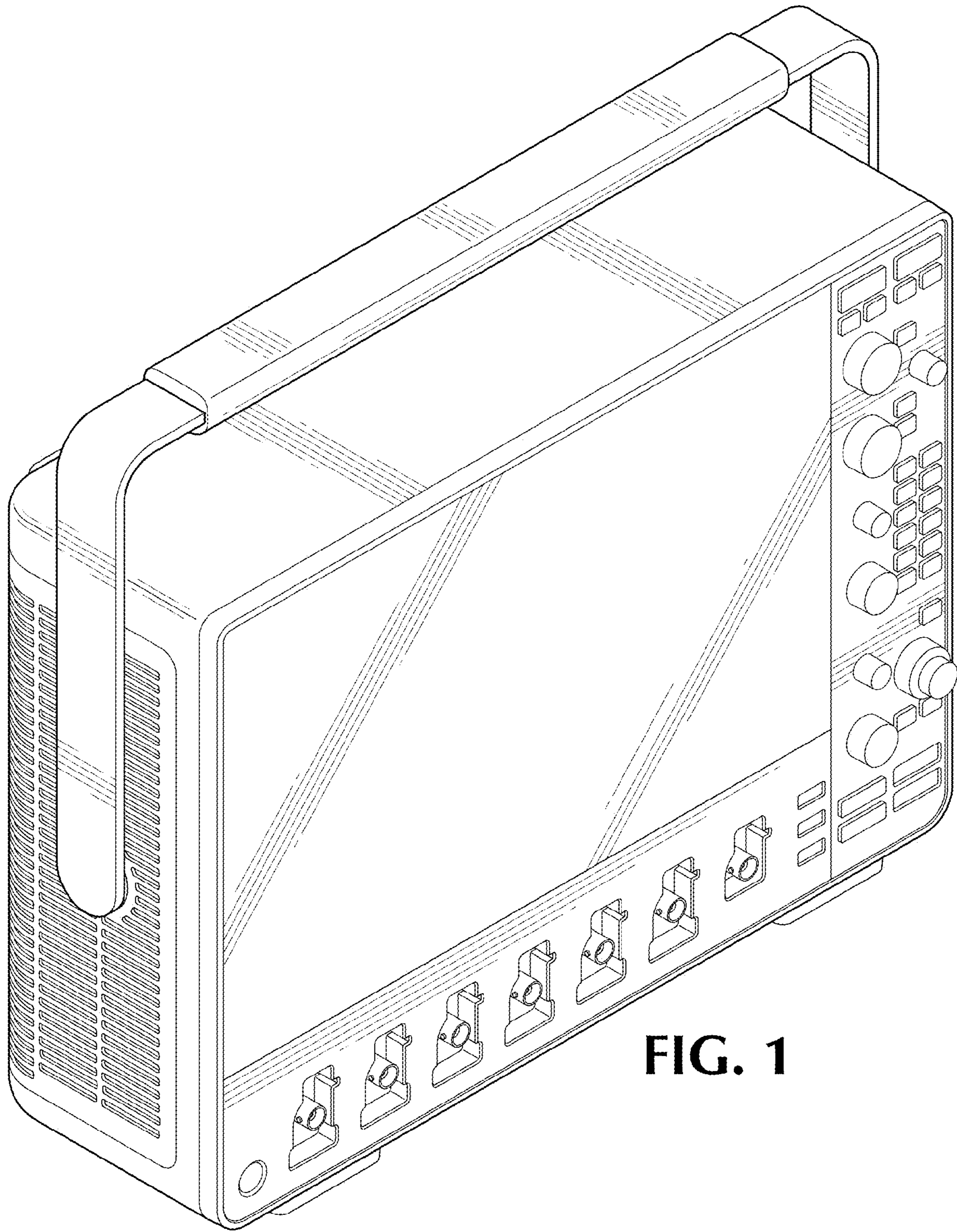
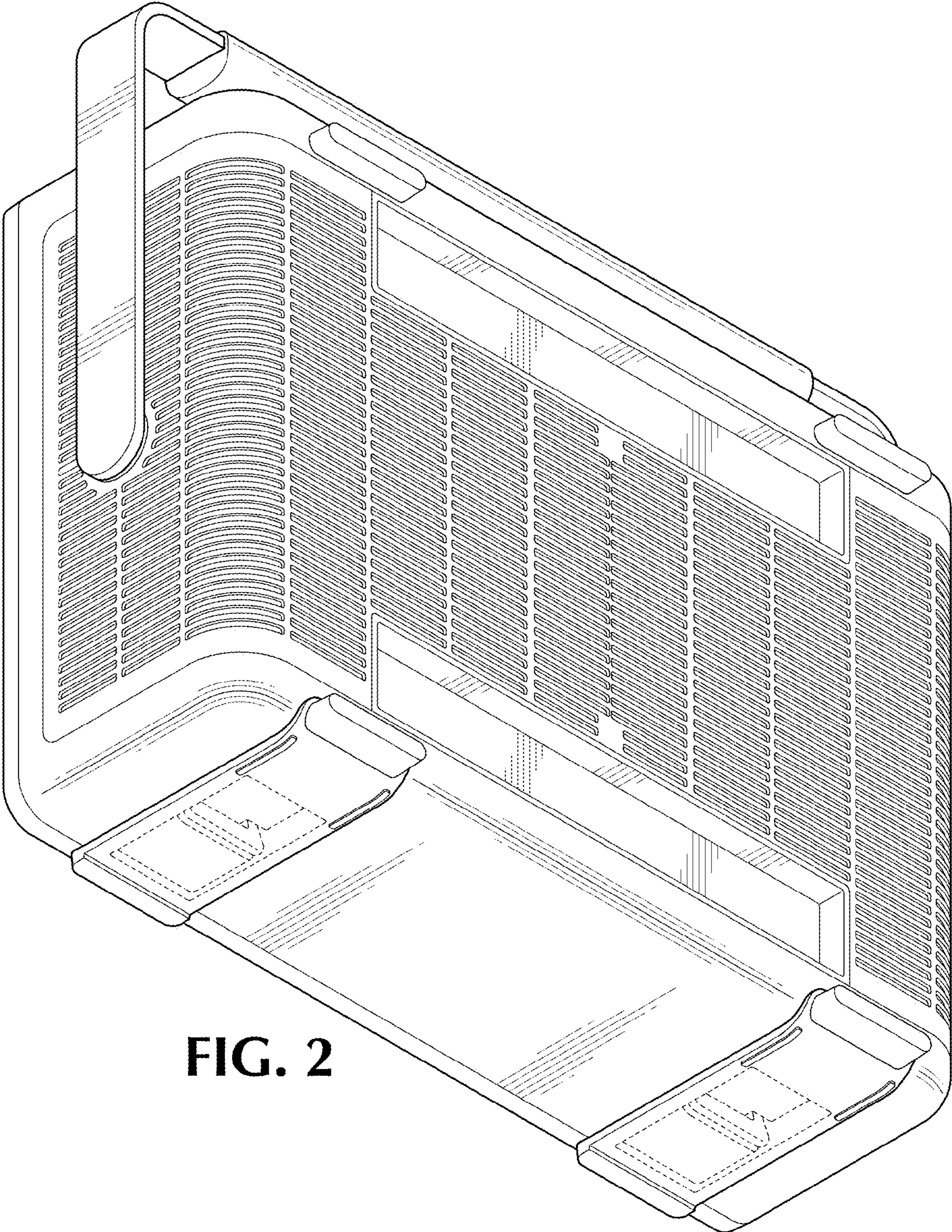


FIG. 1



**FIG. 2**

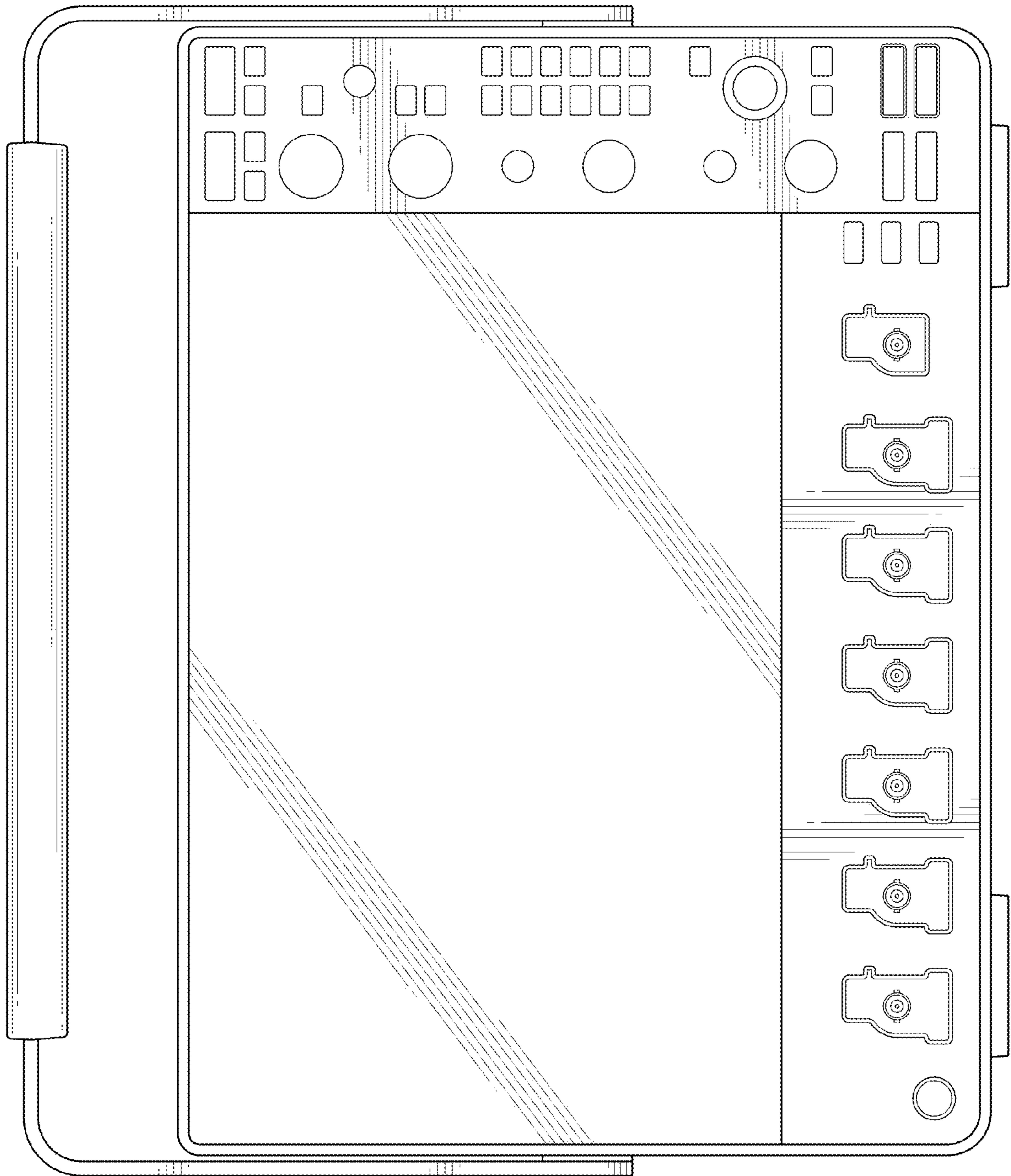


FIG. 3

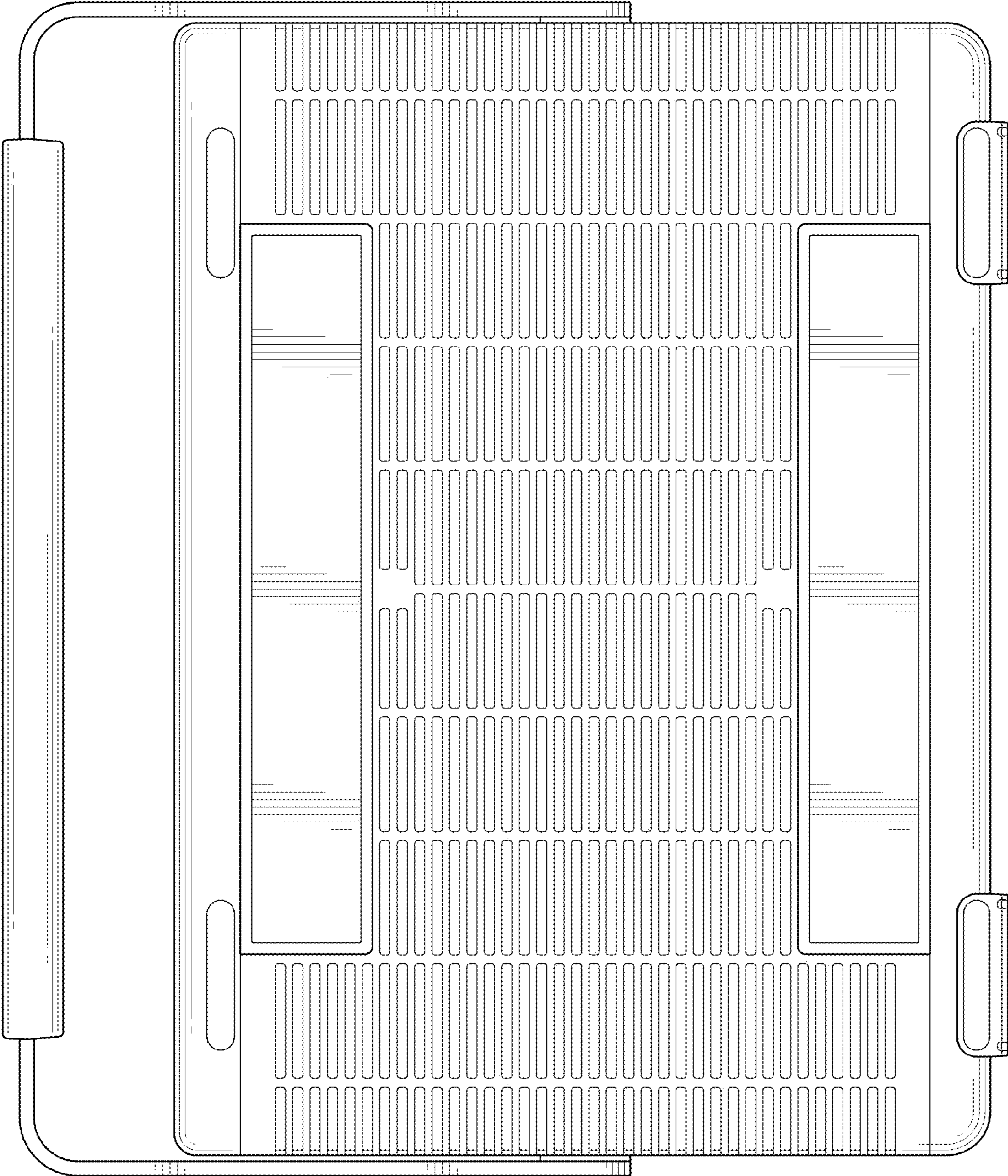


FIG. 4

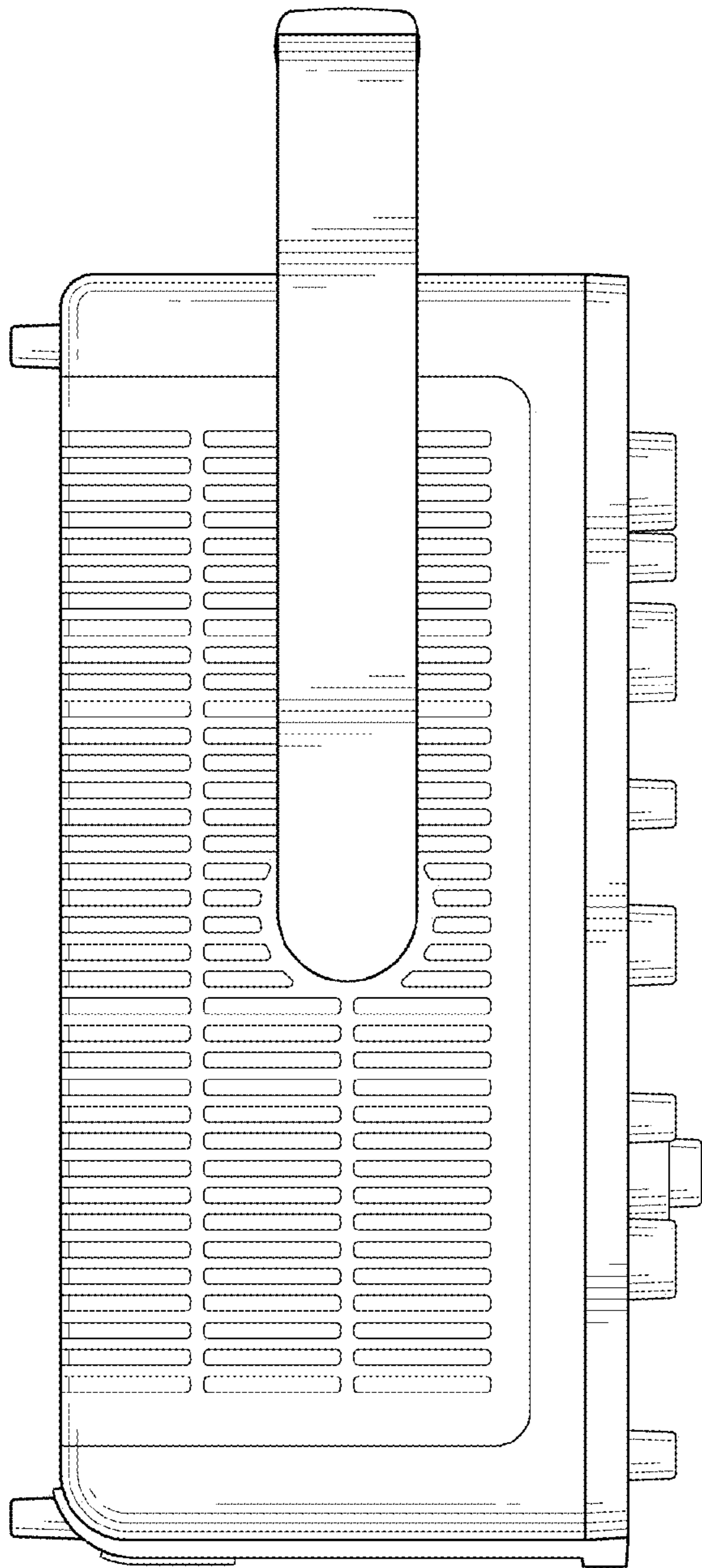


FIG. 5

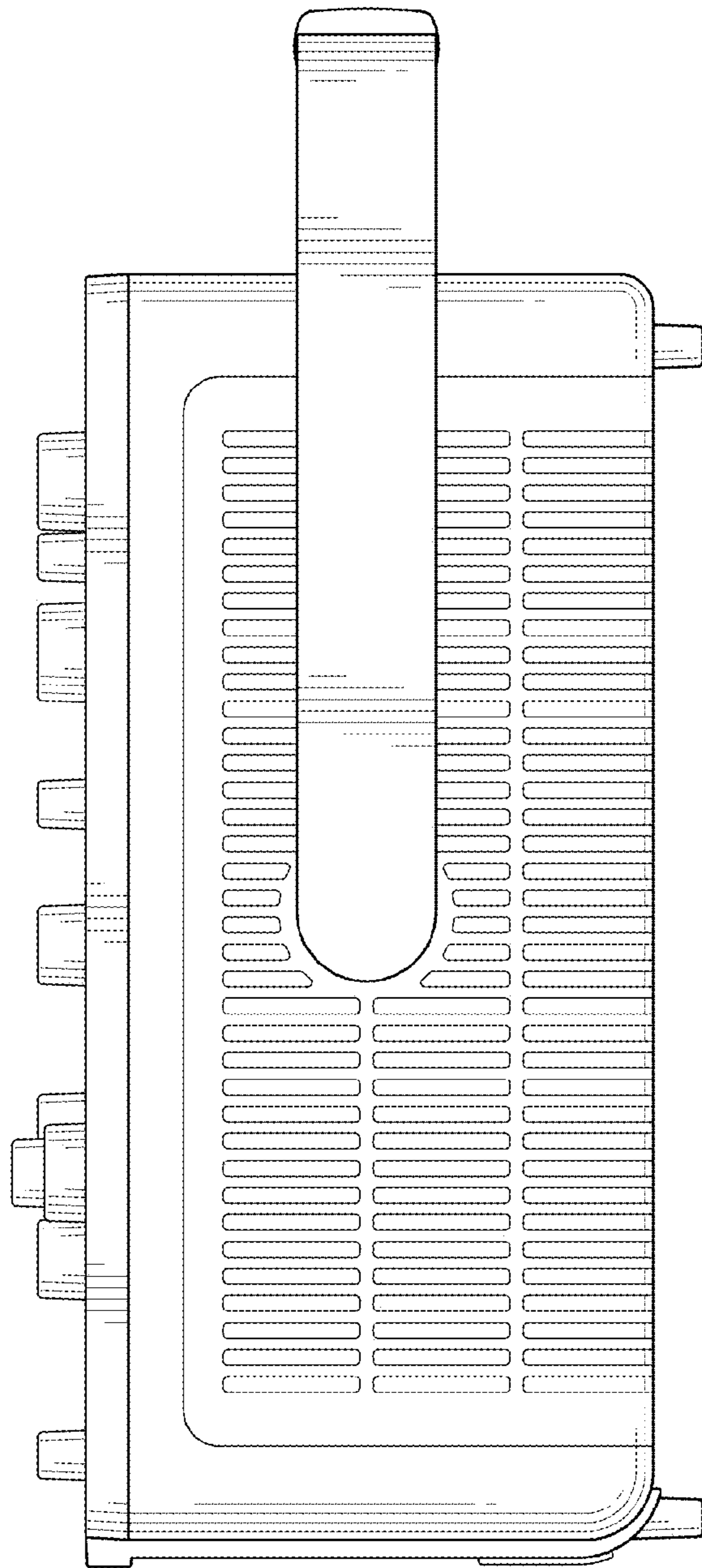


FIG. 6

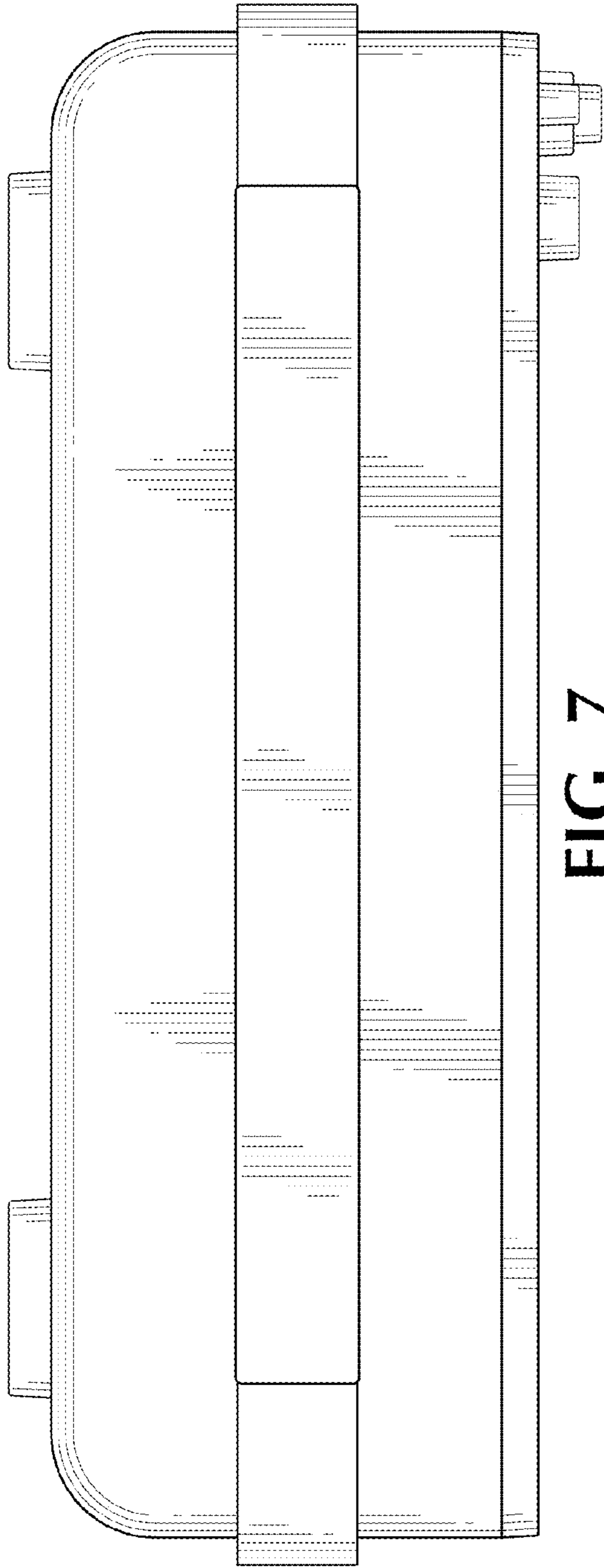


FIG. 7

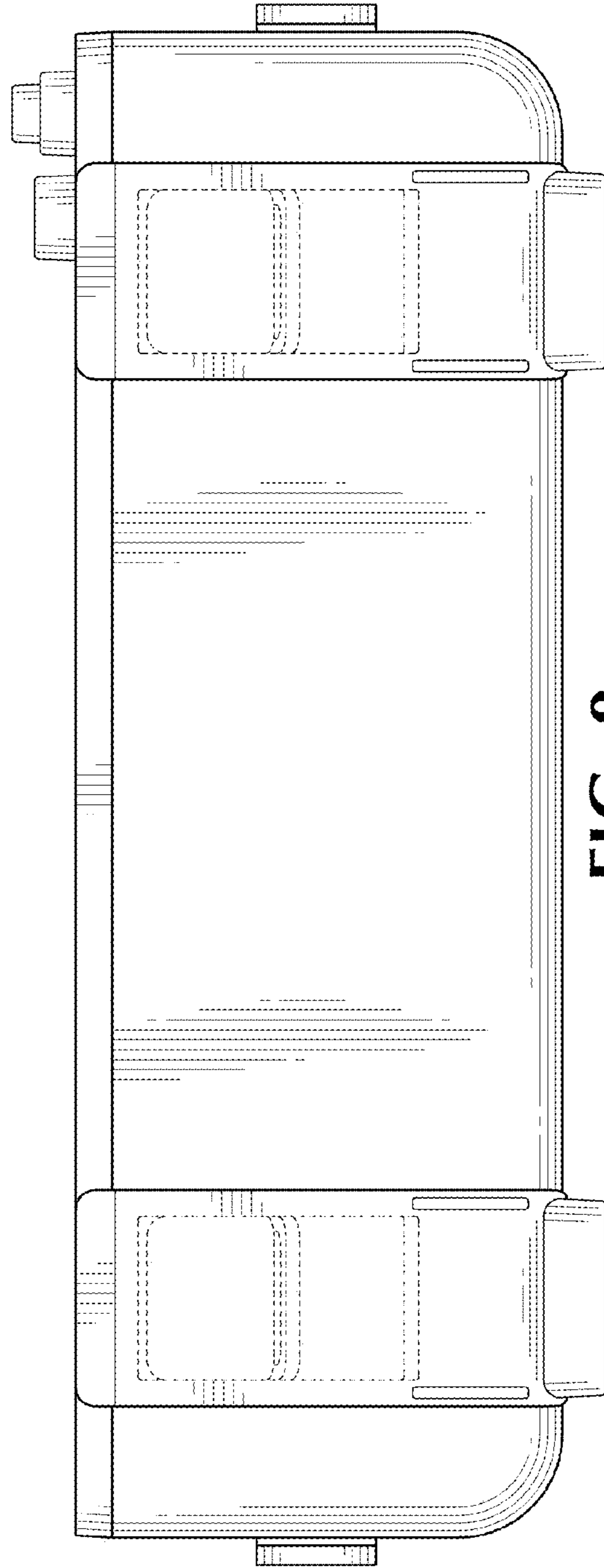


FIG. 8



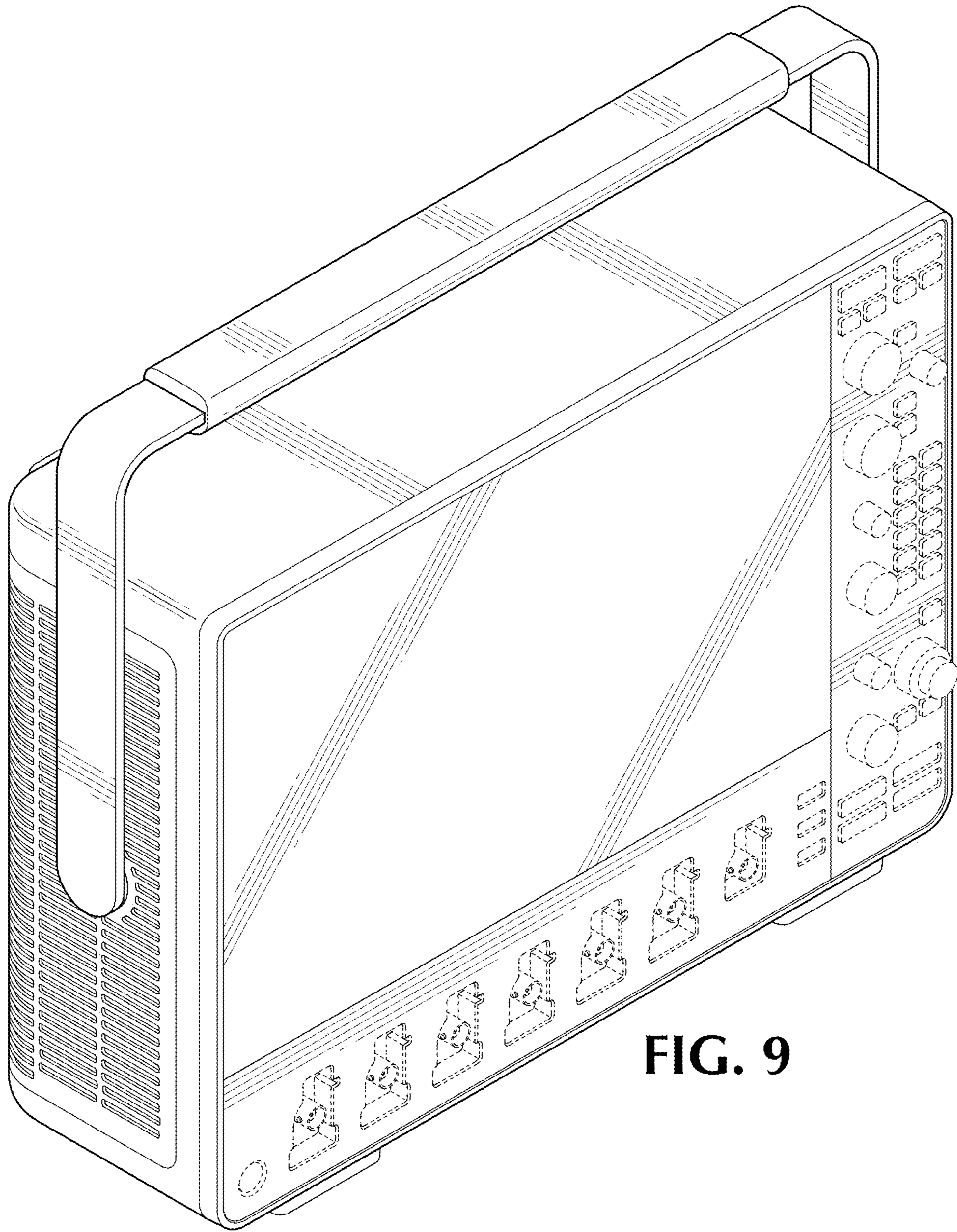
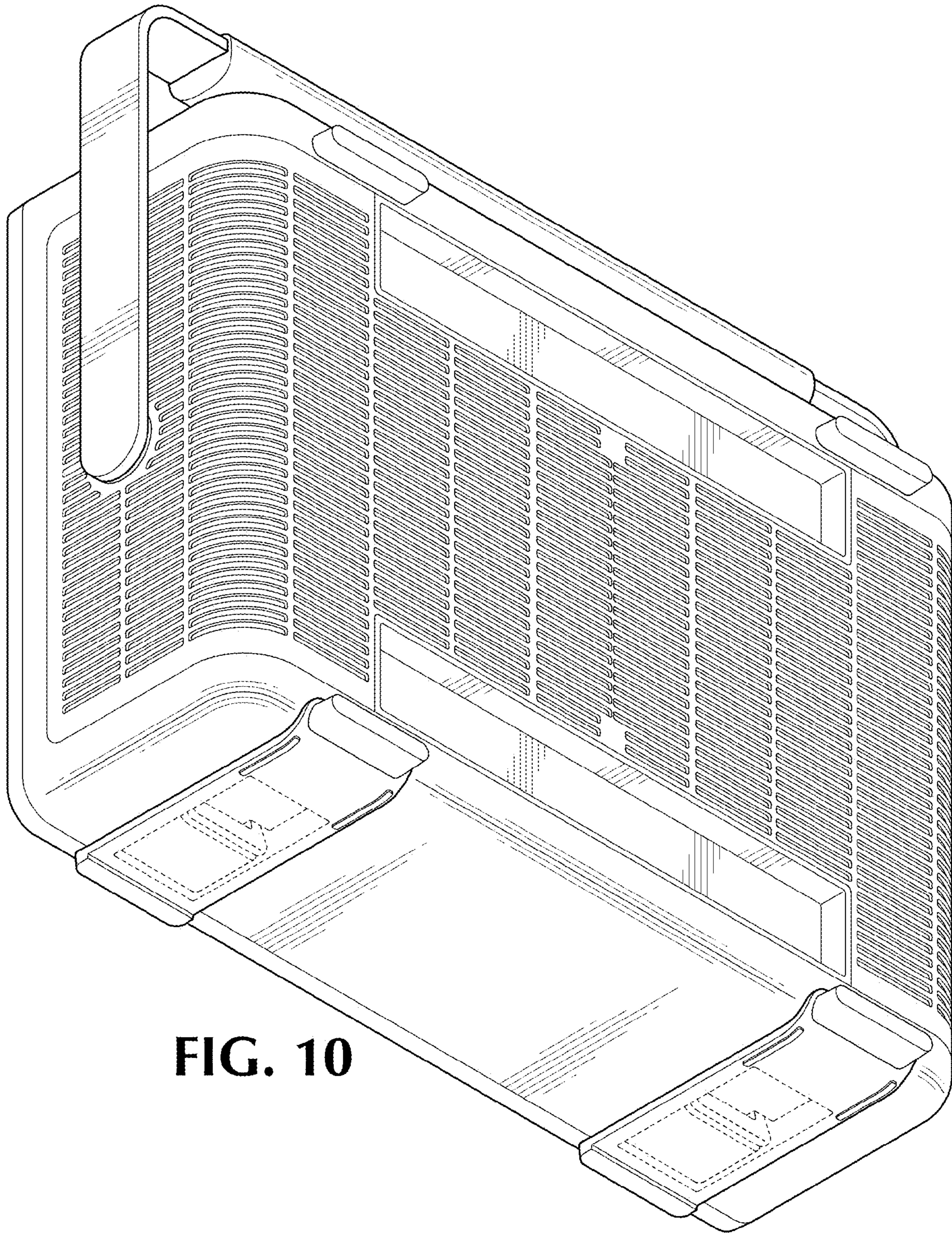


FIG. 9



**FIG. 10**

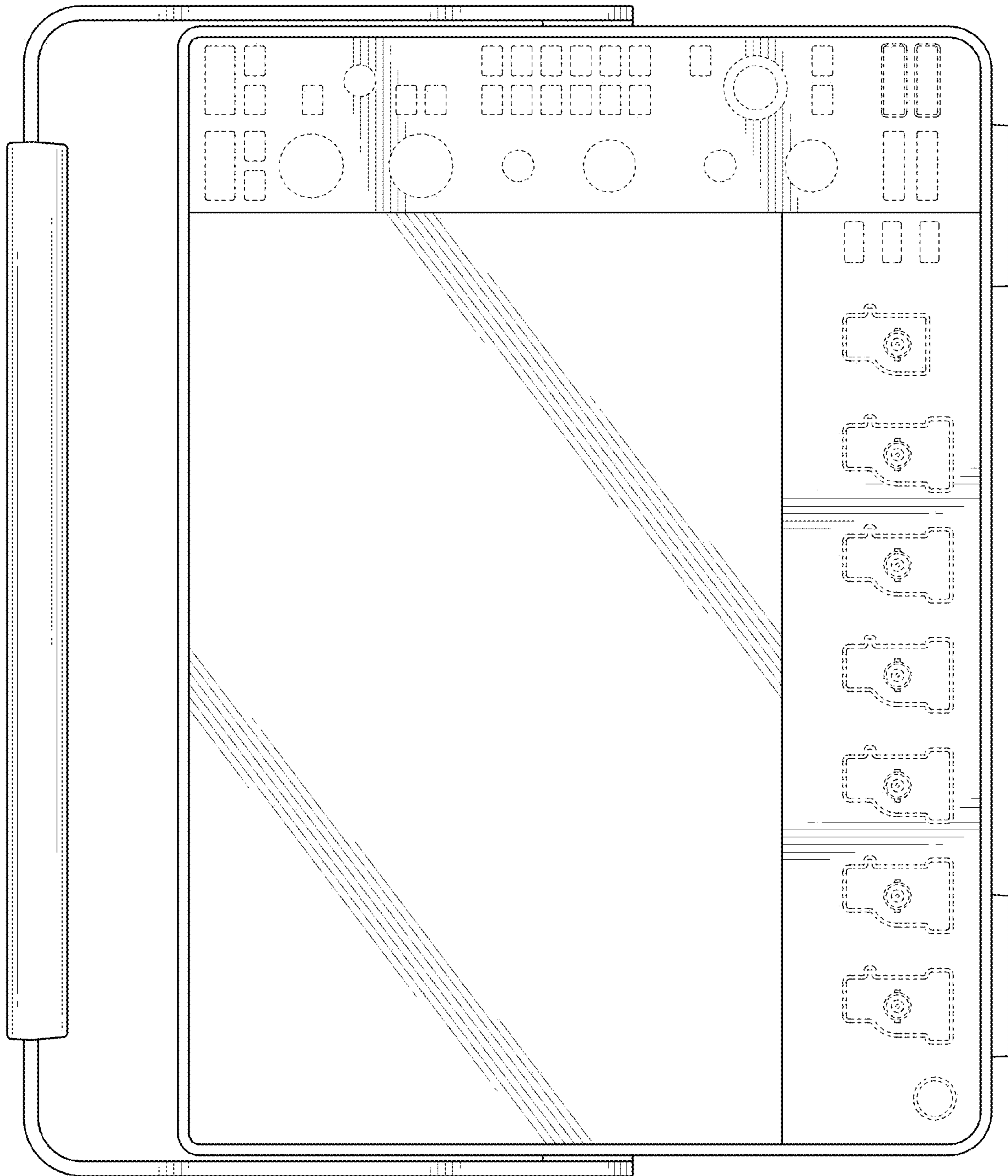


FIG. 11

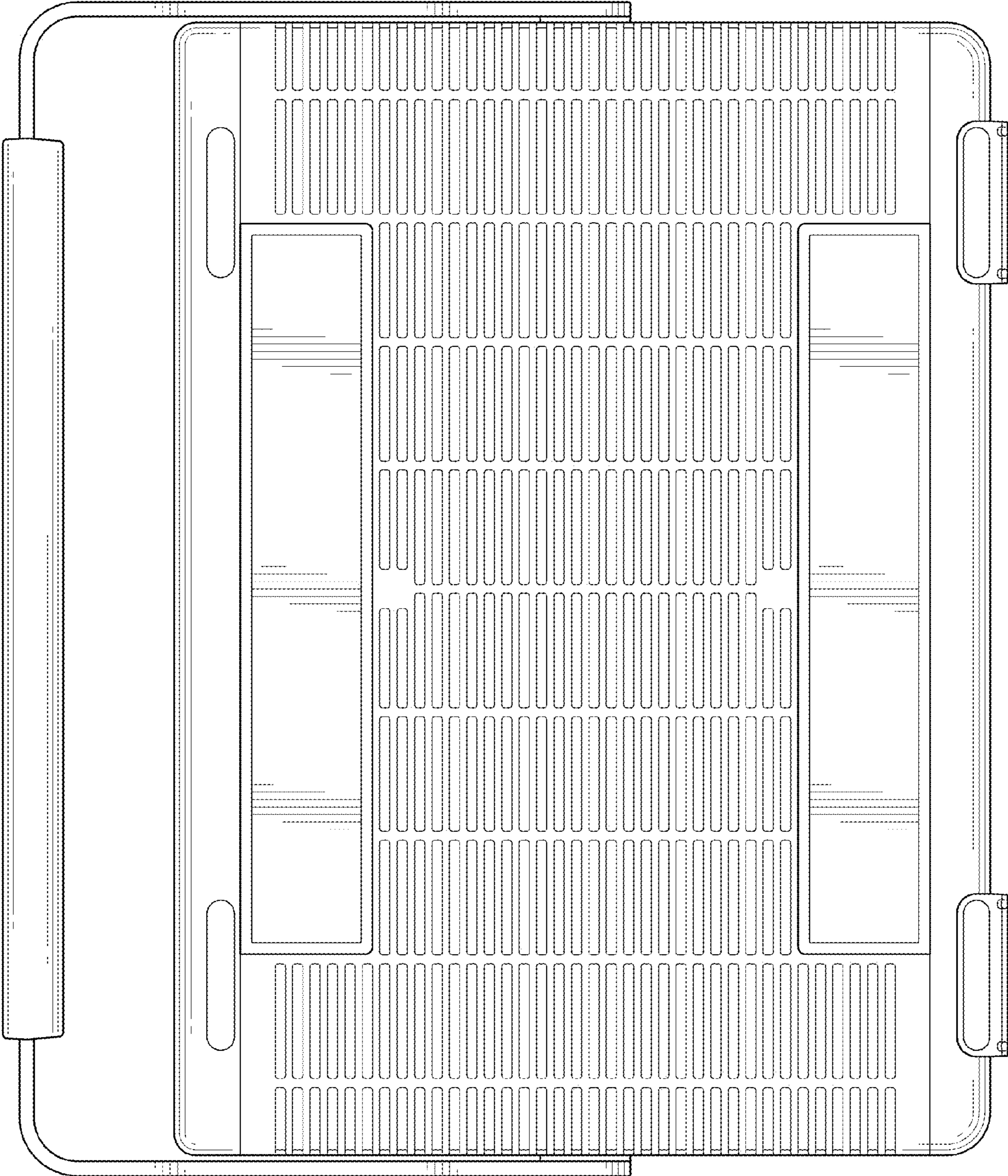
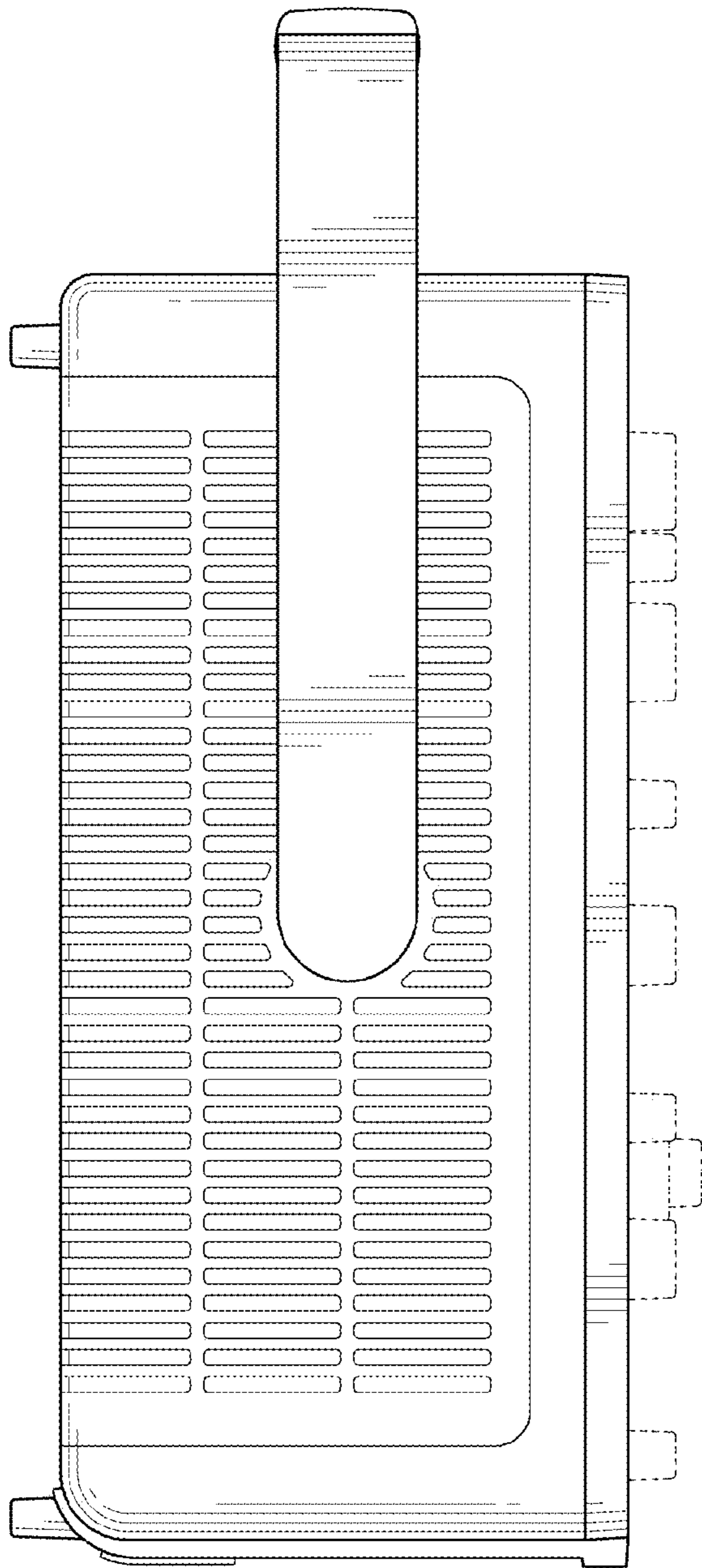
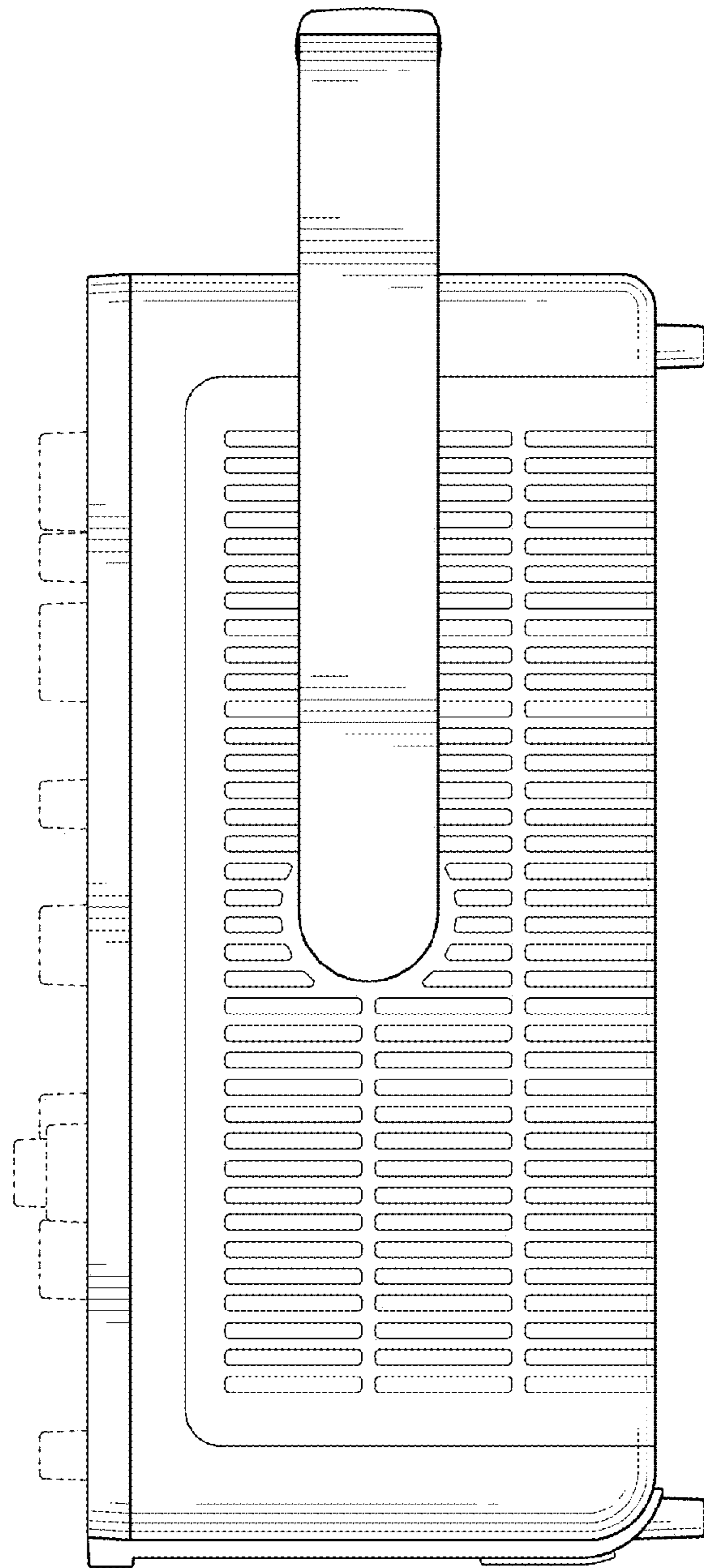


FIG. 12



**FIG. 13**



**FIG. 14**

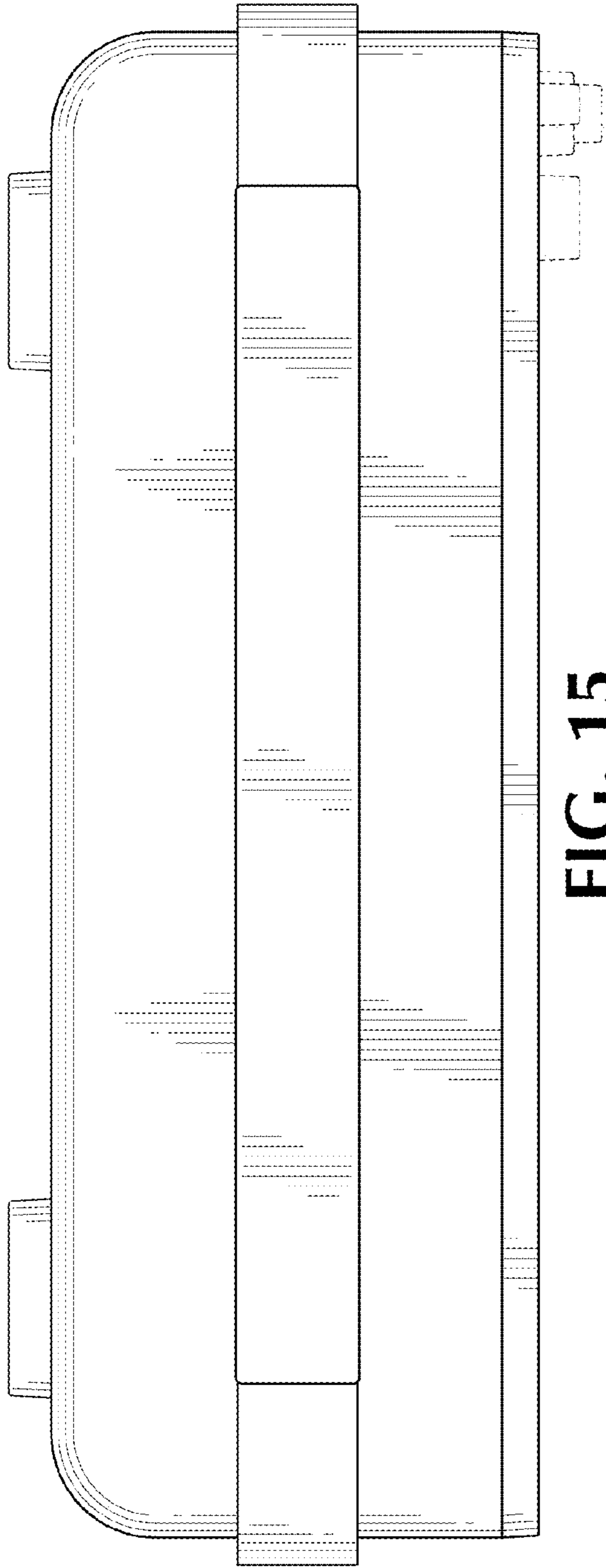


FIG. 15

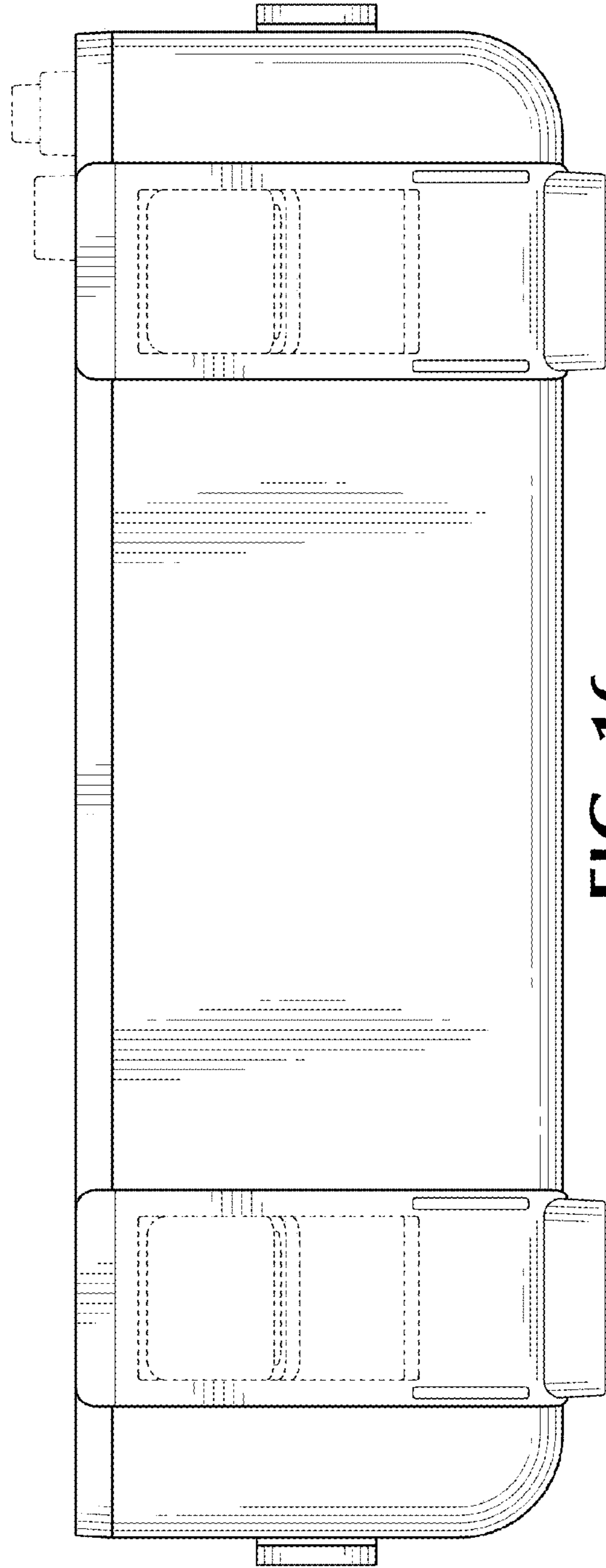


FIG. 16