



US00D894023S

(12) **United States Design Patent**
Barber

(10) **Patent No.:** **US D894,023 S**

(45) **Date of Patent:** **** Aug. 25, 2020**

(54) **WEARABLE EMERGENCY LOCATOR APPARATUS**

(71) Applicant: **Stephanie Barber**, Jeffersonville, IN (US)

(72) Inventor: **Stephanie Barber**, Jeffersonville, IN (US)

(**) Term: **15 Years**

(21) Appl. No.: **29/686,830**

(22) Filed: **Apr. 8, 2019**

(51) **LOC (12) Cl.** **10-04**

(52) **U.S. Cl.**
USPC **D10/70; D10/30**

(58) **Field of Classification Search**
USPC D10/30-39, 70, 78, 97, 98; D11/3; D14/138 R, 203.5, 203.6, 203.7, 341, D14/344; D24/167, 186

CPC .. A44C 5/00-5/16; A44C 5/0015; A44C 5/02; A44C 5/14; G04B 37/00-37/228; G04B 45/0069; G04B 47/04; G04B 19/00-19/34; G04B 21/12; G04B 23/12; G04B 47/00-47/068; G04B 37/1486; G01C 17/00; G01C 21/00-21/3697; G01C 22/00-22/025; G01C 23/00-23/005; G01C 21/16; G06F 19/3481; G06F 3/00-3/027; G06F 1/163; G06F 3/038; G06F 3/03547; G01P 1/00-1/26; G01P 15/00-15/18; A63C 11/02; A63B 24/00-2024/0096; A63B 2213/00; A63B 69/0028; A63B 2071/0658-2071/0666; A63B 2220/00-2220/89; A63B 2225/02; A63B 71/06; A63B 26/00; A63B 24/0075; A63B 2071/0663; A63B 71/0686; A63B 24/0062; A63B 24/0084; A63B 2024/0068; A63B 2024/0078; A63B 2024/0056; A63B 2071/0625; A63B 2071/003; A63B 2071/063; A63B 2071/065; A63B 2071/068; A63B 2071/0675; A63B 2220/40; A63B

2220/803; A63B 2220/12; A63B 2220/20; A63B 2220/22; A63B 2220/30; A63B 2225/50; A63B 2225/06; A63B 2230/75; A63B 2024/0065; A63B 2024/0081; A63B 2220/51; A63B 2220/62; A63B 2220/836; A61B 5/0537; A61B
(Continued)

(56) **References Cited**

U.S. PATENT DOCUMENTS

D739,769 S * 9/2015 Shamir D10/79
D745,515 S * 12/2015 Solomon D14/344
(Continued)

Primary Examiner — Antoine Duval Davis

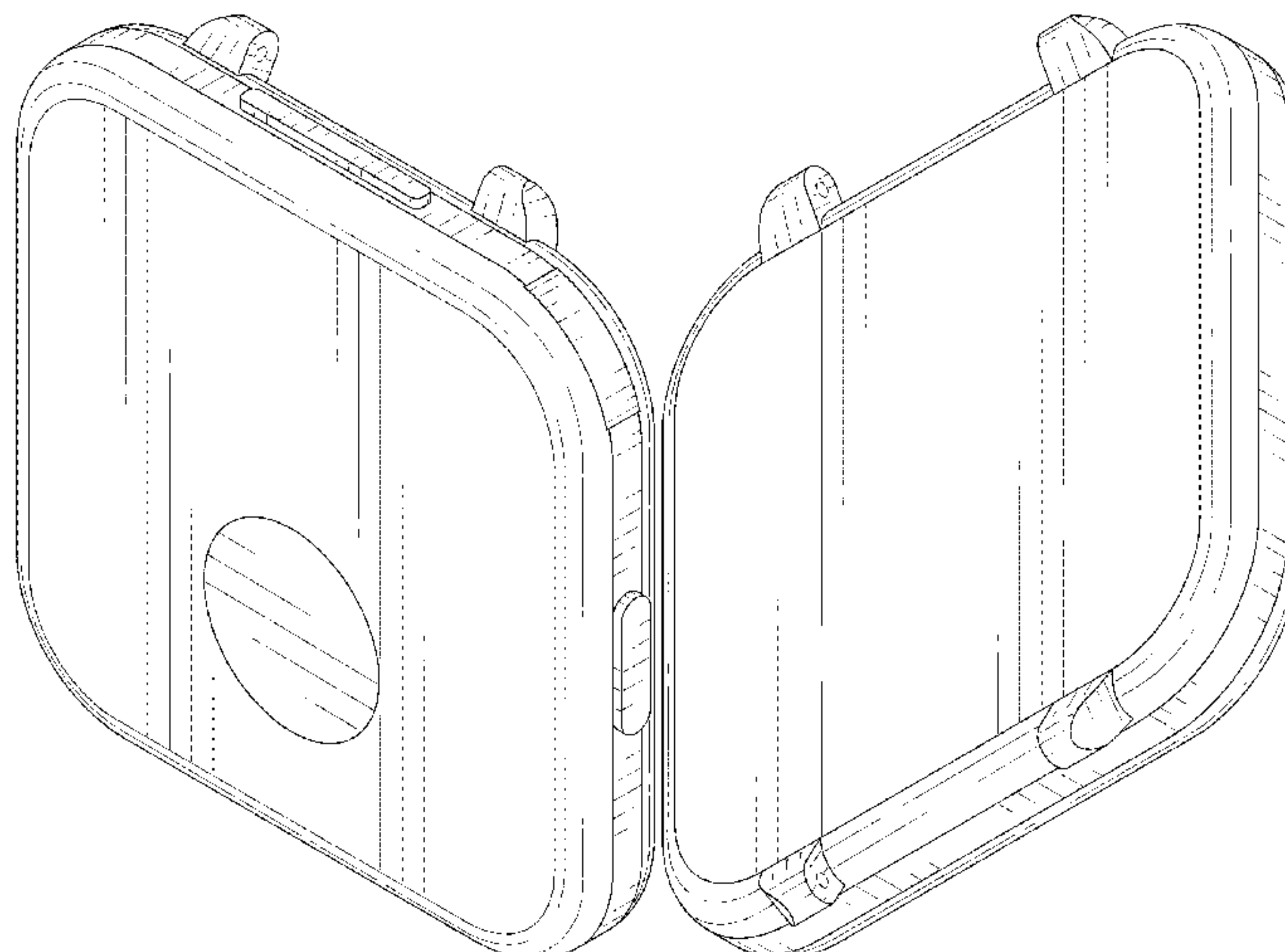
(57) **CLAIM**

The ornamental design for a wearable emergency locator apparatus, as shown and described.

DESCRIPTION

FIG. 1 is a top-front-left perspective view of a wearable emergency locator apparatus showing my new design; FIG. 2 is a bottom-rear-right perspective view thereof; FIG. 3 is a front elevational view thereof; FIG. 4 is a rear elevational view thereof; FIG. 5 is a left elevational view thereof; FIG. 6 is a right elevational view thereof; FIG. 7 is a top plan view thereof; FIG. 8 is a bottom plan view thereof; FIG. 9 is a top-front-left perspective view thereof, wherein the wearable emergency locator apparatus has been mounted to an exemplary strap and clasp; and, FIG. 10 is a bottom-rear-right perspective view thereof, wherein the wearable emergency locator apparatus has been mounted to an exemplary strap and clasp. The broken line showing indentations in FIGS. 1 and 2; and the strap and clasp in FIGS. 9 and 10 is included for the purpose of illustrating environmental structure and forms no part of the claimed design.

1 Claim, 10 Drawing Sheets



(58) **Field of Classification Search**

CPC ... 5/4872; A61B 5/6831; A61B 5/4869; A61B 5/0858; A61B 5/1075; A61B 5/107; A61B 5/4875; A61B 5/4878; A61B 5/4881; A61B 5/61-5/6898; A61B 19/44; A61B 2019/446; A61B 71/00; A61B 5/02416; A61B 5/1118; A61B 2/721; A61B 5/002; A61B 5/112; A61B 5/1122; A61B 5/746; A61B 5/6823; A61B 5/72; A61B 5/7445; A61B 5/0022; A61B 5/14532; G04R 20/02; G04C 10/00; G04C 10/02; G08B 21/0269; G08B 21/0272; G08B 21/0286; G08B 21/0288; G08B 21/0291; G08B 21/04-21/2454; G01S 19/00-19/55; G04G 9/0064; G04G 9/0005; G04G 17/00; G04G 17/08; G04G 17/04; G04G 21/02; G04G 21/00; G04G 21/08; A41D 1/02; G09F 3/005; G06Q 10/00; G06Q 50/00; G04F 10/00; G09B 9/00; G09B 19/00

See application file for complete search history.

(56) **References Cited**

U.S. PATENT DOCUMENTS

D751,550	S	*	3/2016	Solomon	D10/38
D801,200	S	*	10/2017	Farley	D10/70
D817,199	S	*	5/2018	Farley	D10/70
D819,469	S	*	6/2018	Farley	D10/70
D839,753	S	*	2/2019	Domke	D10/30
D841,005	S	*	2/2019	Lin	D14/344
D842,855	S	*	3/2019	Akana	D14/344
D864,767	S	*	10/2019	Vandenbussche	D10/70
D866,350	S	*	11/2019	Park	D10/38

* cited by examiner

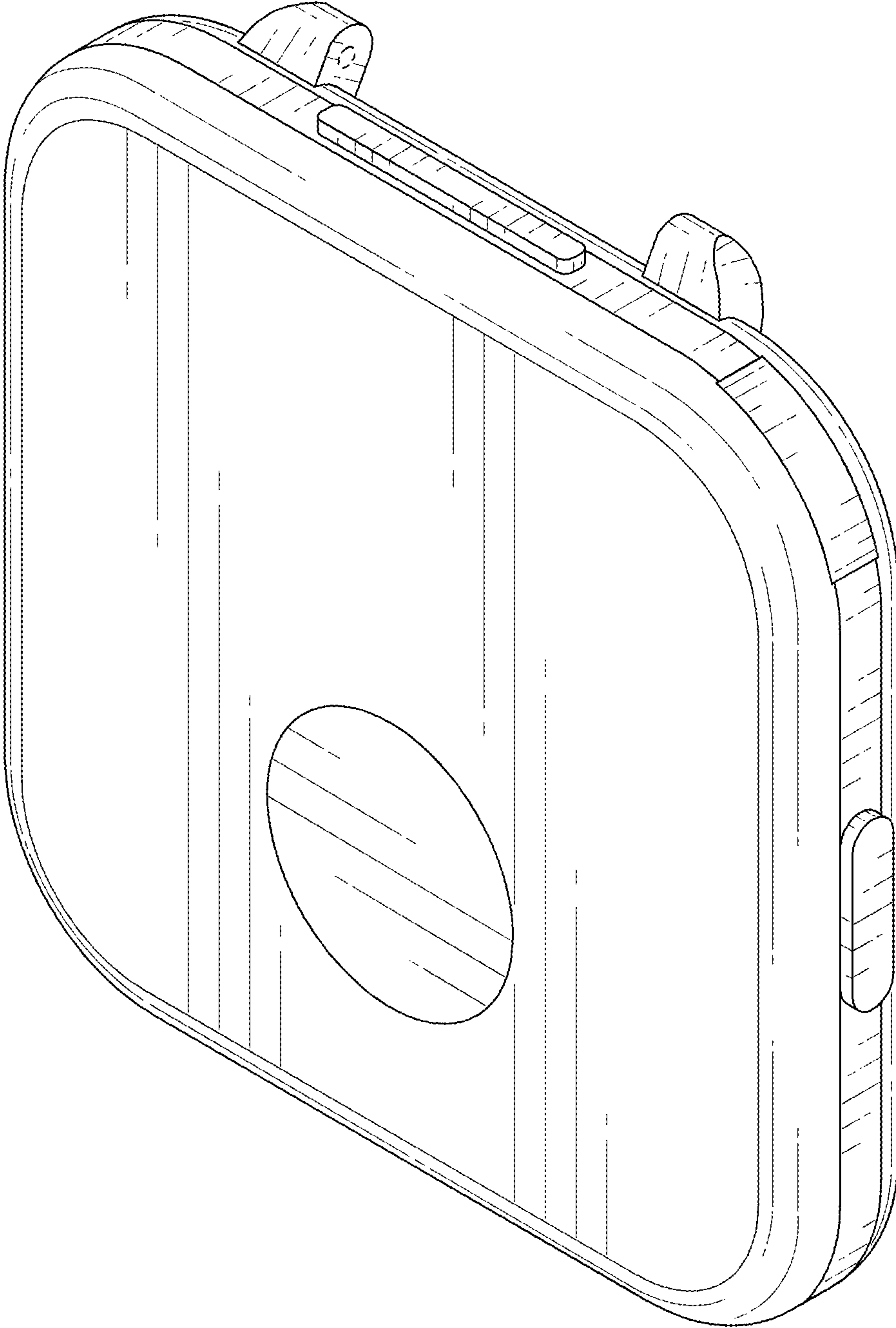


FIG. 1

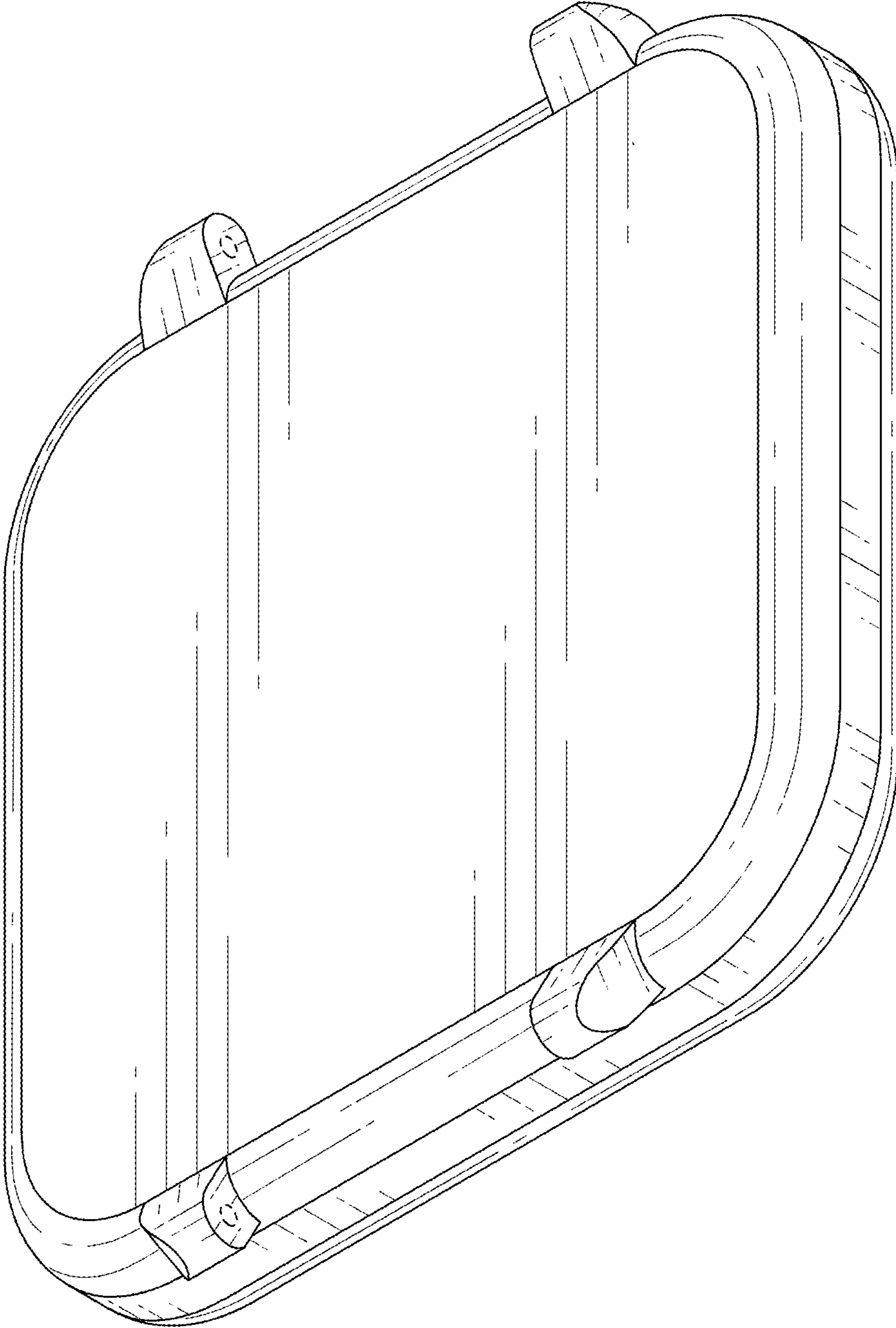


FIG. 2

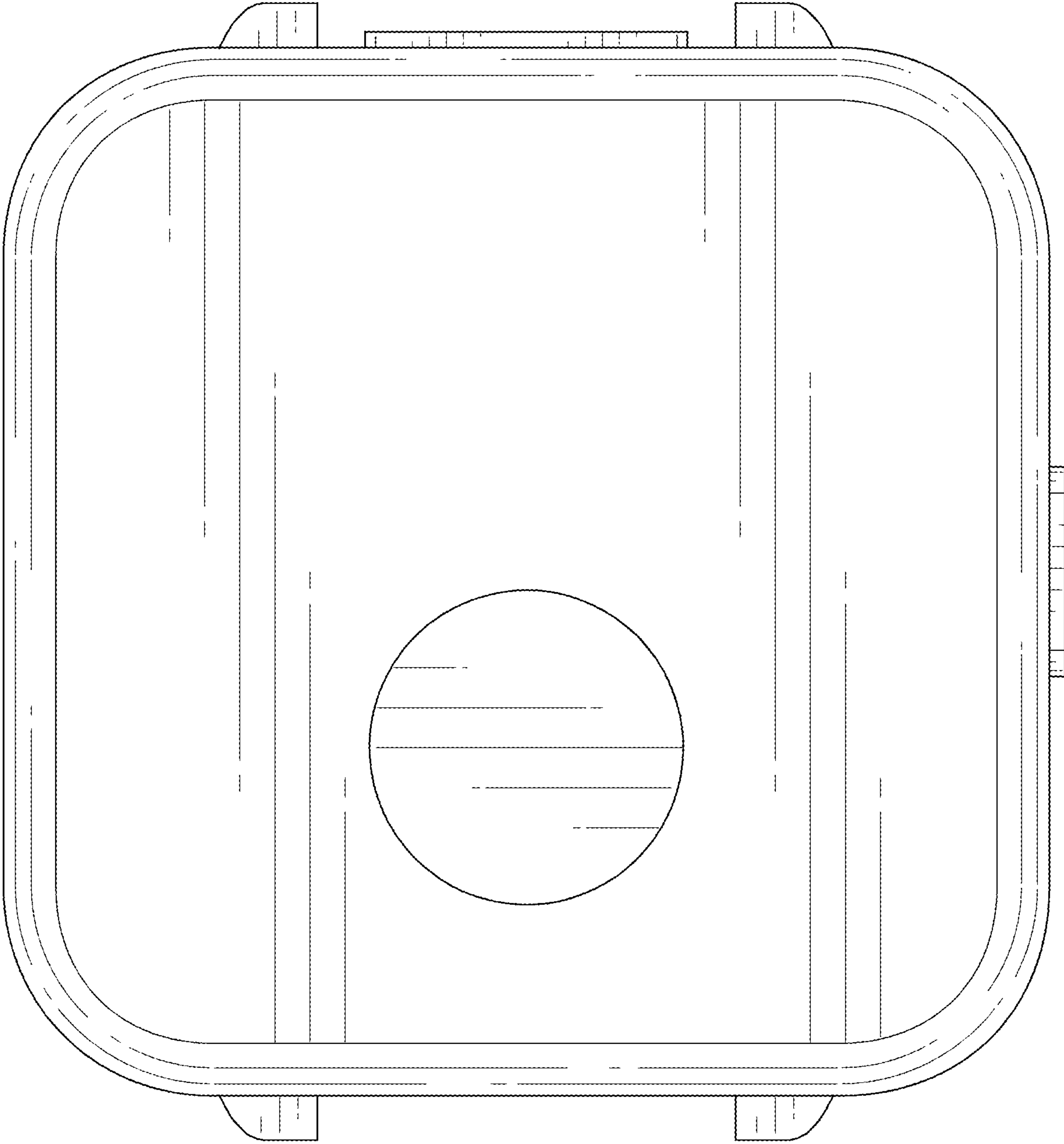


FIG. 3

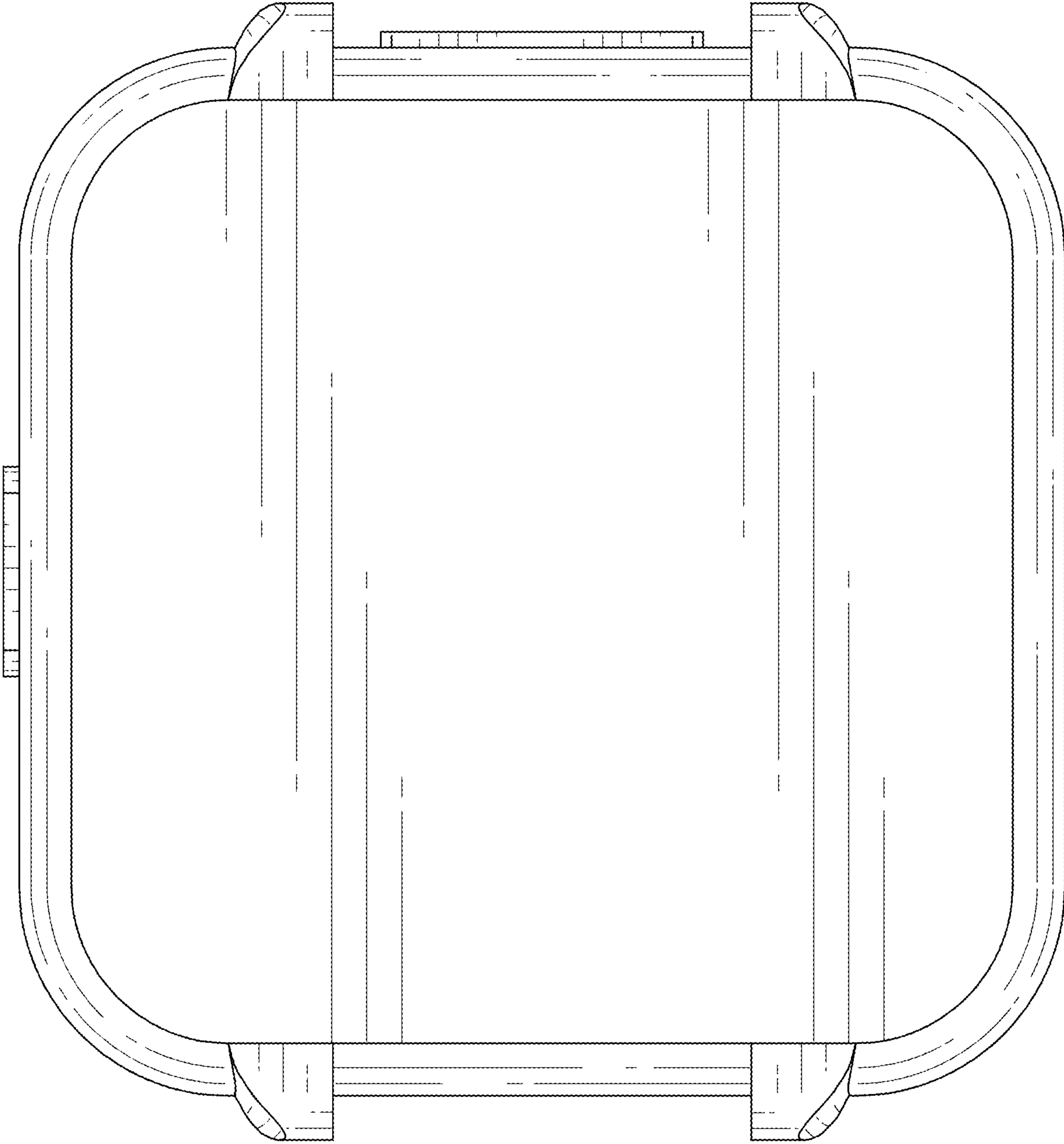


FIG. 4

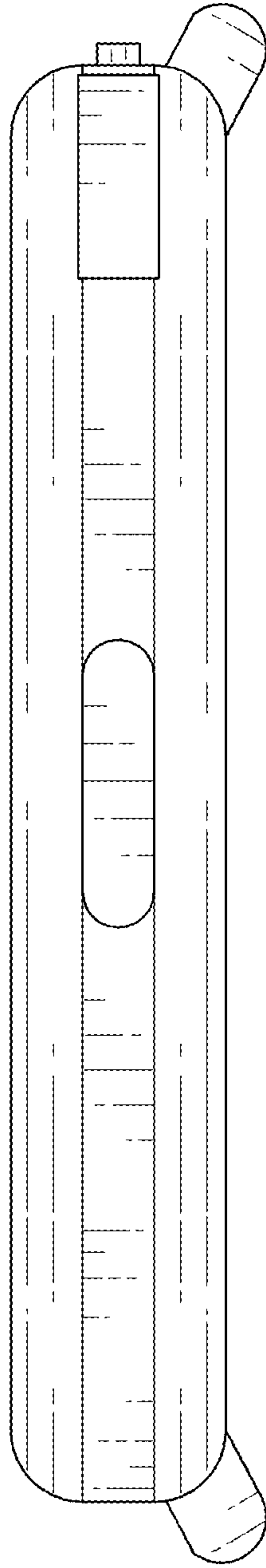


FIG. 5

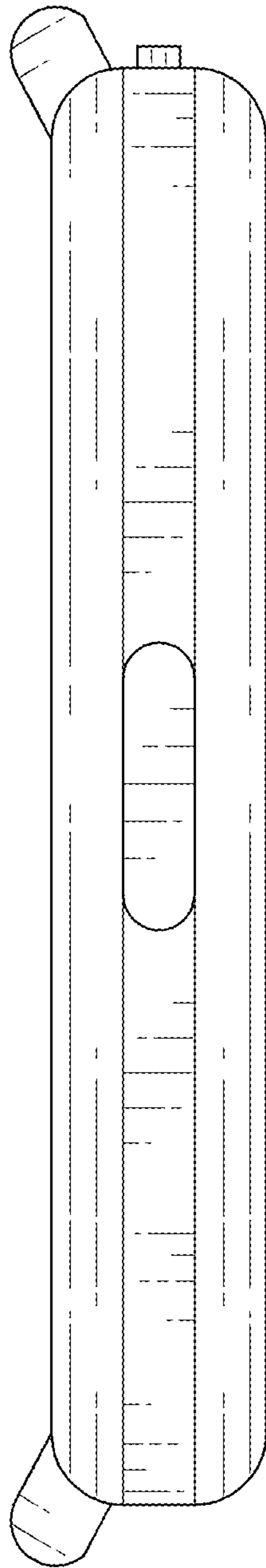


FIG. 6

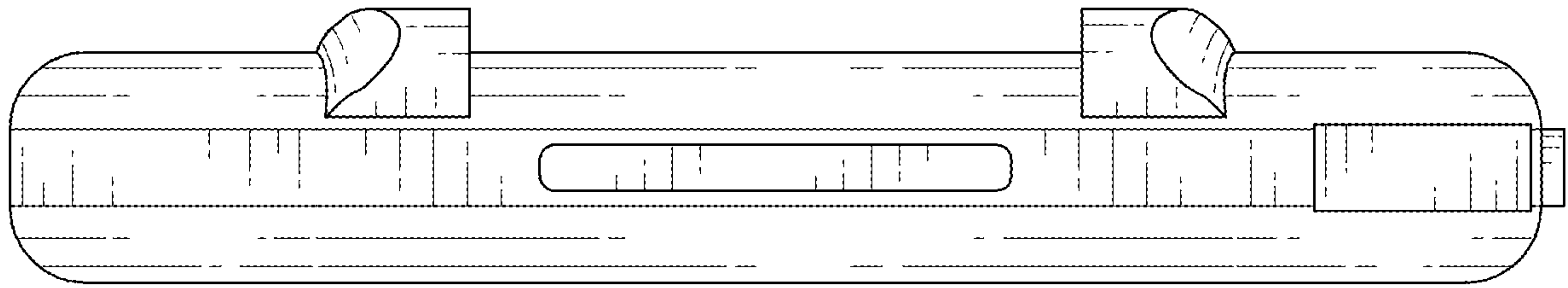


FIG. 7

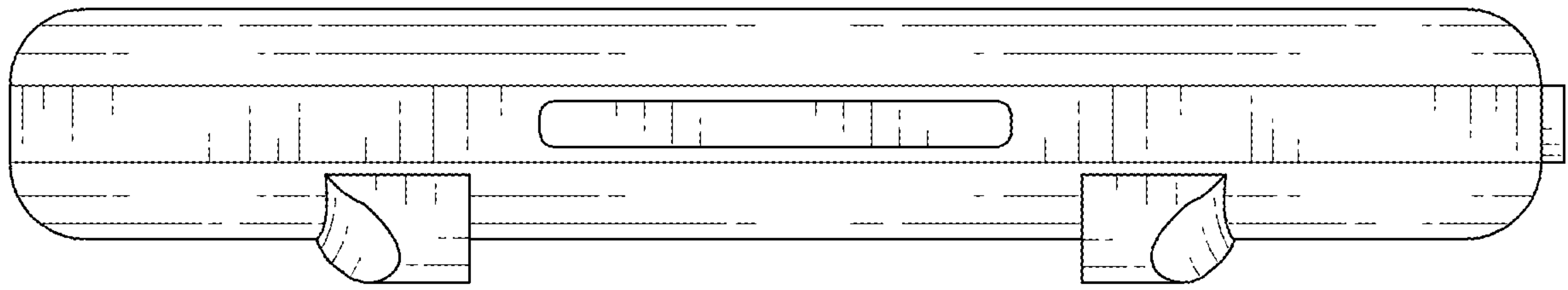


FIG. 8

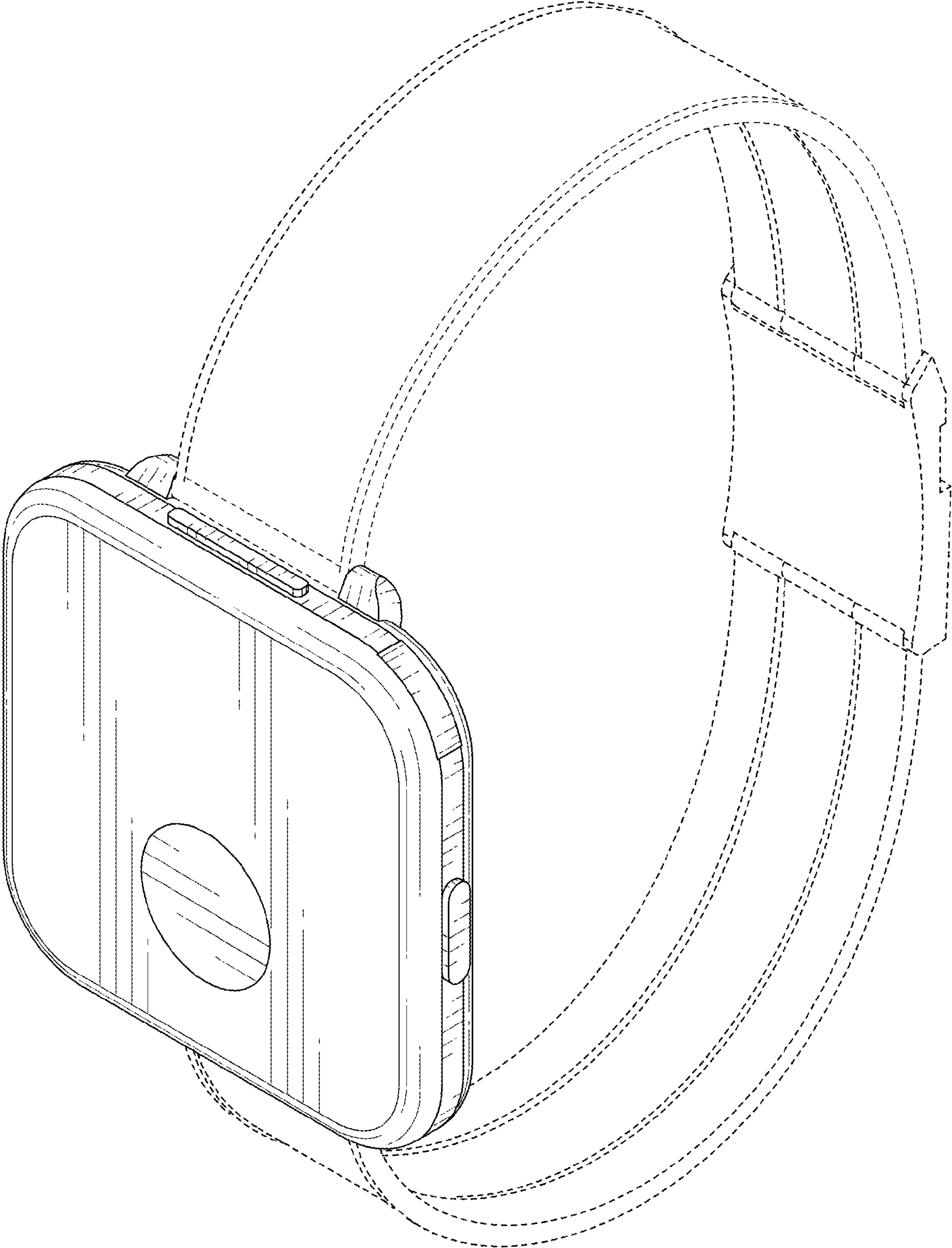


FIG. 9

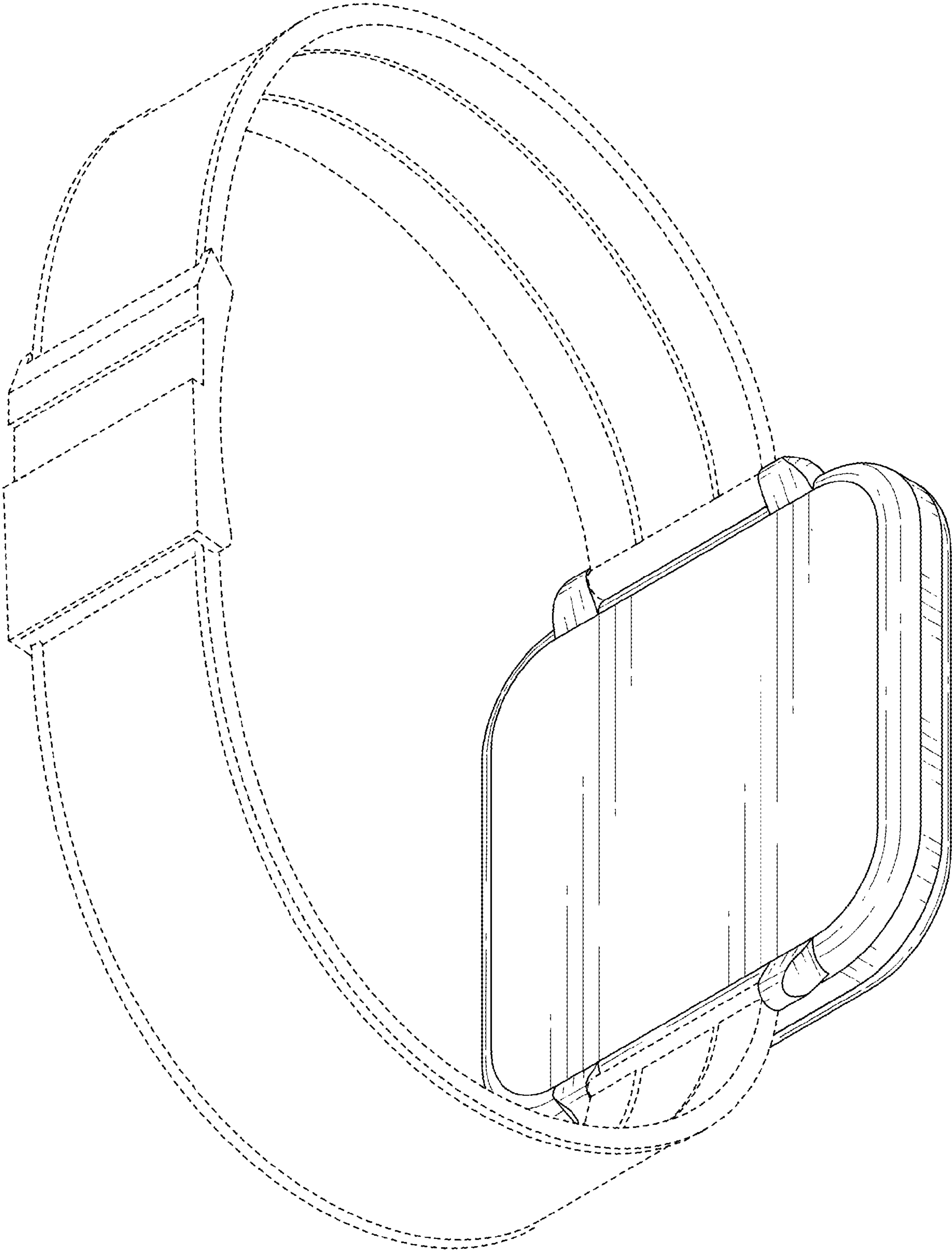


FIG. 10