



US00D894021S

(12) **United States Design Patent** (10) **Patent No.:** **US D894,021 S**
Smith (45) **Date of Patent:** **** Aug. 25, 2020**

(54) **DISPLAY DEVICE**

(56) **References Cited**

(71) Applicant: **Johnson Controls Technology Company**, Auburn Hills, MI (US)
(72) Inventor: **Damon Bryan Smith**, Alto, GA (US)
(73) Assignee: **Johnson Controls Technology Company**, Auburn Hills, MI (US)
(**) Term: **15 Years**
(21) Appl. No.: **29/674,481**
(22) Filed: **Dec. 21, 2018**
(51) **LOC (12) Cl.** **10-04**
(52) **U.S. Cl.**
USPC **D10/50; D13/162**
(58) **Field of Classification Search**
USPC D13/162, 168; D6/300, 308; D10/49, D10/50, 104.1, 106.1, 106.95; D14/126, D14/129, 336, 337, 341, 371, 374, 375, D14/218
CPC .. G05B 19/0426; G05B 19/409; G05B 15/02; G06F 1/1601; G06F 3/041; G06F 3/044; G06F 3/0482; G06F 3/0488; G06F 3/0489; G05D 23/1902; G05D 23/1905; G05D 23/1931; H01H 9/02; H01H 9/0271; H01H 9/16; H01H 9/18; H01H 9/161; H01H 9/181; H01H 9/182; H01H 13/04; H01H 13/14; H01H 13/20; H01H 13/30; H01H 23/00; H01H 23/02; H01H 23/025; H05B 47/19; H05B 39/02; H05B 39/04; H05B 39/085; H05B 39/086; H05B 39/088; F24F 11/00; F24F 11/0012; F24F 11/0086; F24F 11/0009; F24F 2011/0057; F24F 2011/0073; F24F 2011/0091

U.S. PATENT DOCUMENTS

D642,385	S *	8/2011	Lee	D6/308
D648,641	S *	11/2011	Wallaert	D10/49
D648,642	S *	11/2011	Wallaert	D10/49
D684,872	S *	6/2013	Bias	D10/49
D687,388	S *	8/2013	Baumgartner	D13/162
8,802,981	B2 *	8/2014	Wallaert	F24F 11/00 174/58
D727,857	S *	4/2015	Acera	D13/162
D729,793	S *	5/2015	Hickok	D14/126
D733,591	S *	7/2015	Golden	D10/50
D734,179	S *	7/2015	Golden	D10/50
D738,232	S *	9/2015	Eyring	D10/103
D741,269	S *	10/2015	Bhattacharya	D10/50
D778,245	S *	2/2017	Feldstein	D13/162
D796,352	S *	9/2017	Morneau	D10/49
9,824,549	B2	11/2017	Taylor et al.	
D854,429	S *	7/2019	Gentle	D10/50

(Continued)

Primary Examiner — Selina Sikder
(74) *Attorney, Agent, or Firm* — Foley & Lardner LLP

(57) **CLAIM**

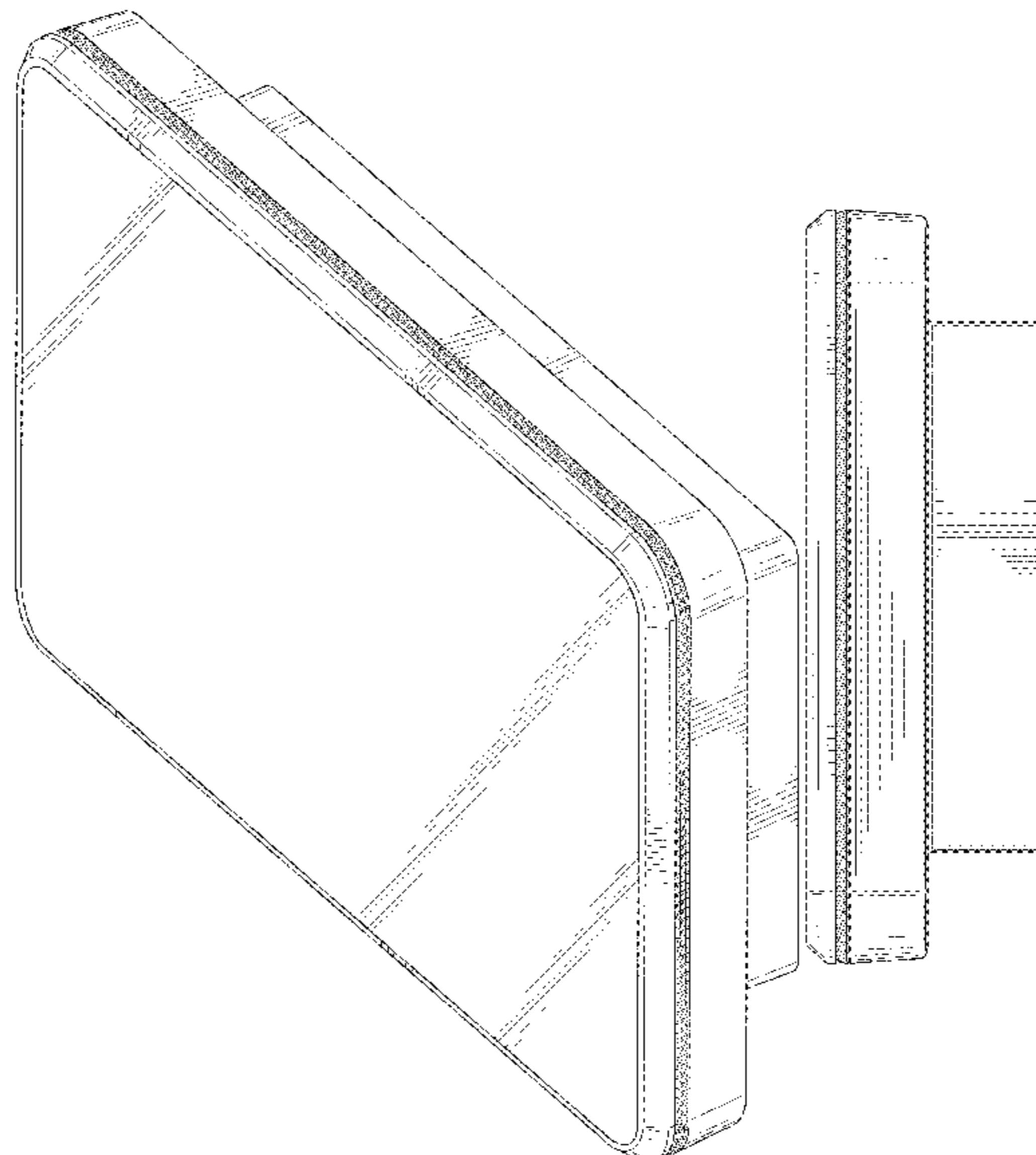
I claim the ornamental design for a display device, as shown and described.

DESCRIPTION

FIG. 1 is a front, right, top, isometric view perspective view from above of the display device;
FIG. 2 is a front view of the claimed design of FIG. 1;
FIG. 3 is a rear view of the claimed design of FIG. 1;
FIG. 4 is a right side view of the claim design of FIG. 1;
FIG. 5 is a left side view of the claimed design of FIG. 1;
FIG. 6 is a top view of the claimed design of FIG. 1; and
FIG. 7 is a bottom view of the claimed design of FIG. 1.
Any portion of the article depicted in broken lines forms no part of the claimed design. Stipple shading indicates a transparent or translucent portion of the claimed design. Oblique lines show a transparent, reflective, or shiny surface, and not surface ornamentation.

See application file for complete search history.

1 Claim, 5 Drawing Sheets



(56)

References Cited

U.S. PATENT DOCUMENTS

D874,950 S * 2/2020 Gentle D10/50
2004/0074978 A1 * 4/2004 Rosen G05D 23/1904
236/1 C
2007/0228183 A1 * 10/2007 Kennedy G05D 23/1905
236/1 C
2009/0276096 A1 * 11/2009 Proffitt G05B 19/409
700/278
2010/0106305 A1 * 4/2010 Pavlak F24F 11/30
700/276
2010/0171889 A1 * 7/2010 Pantel G02F 1/133308
349/1
2011/0132991 A1 * 6/2011 Moody G05D 23/1902
236/46 R
2012/0061480 A1 * 3/2012 Deligiannis G05B 15/02
236/51
2014/0151456 A1 * 6/2014 McCurnin G05D 23/1905
236/51

* cited by examiner

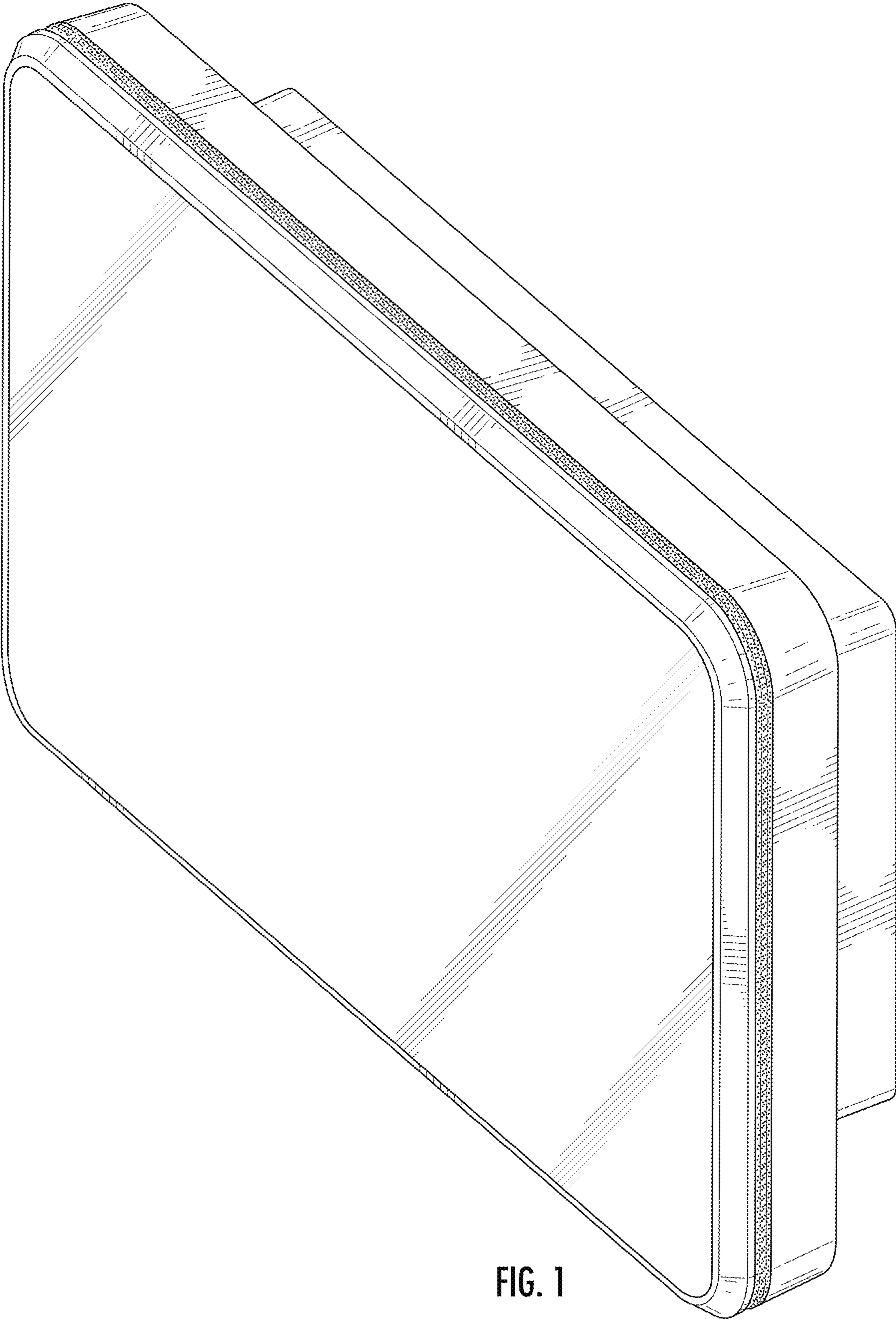


FIG. 1

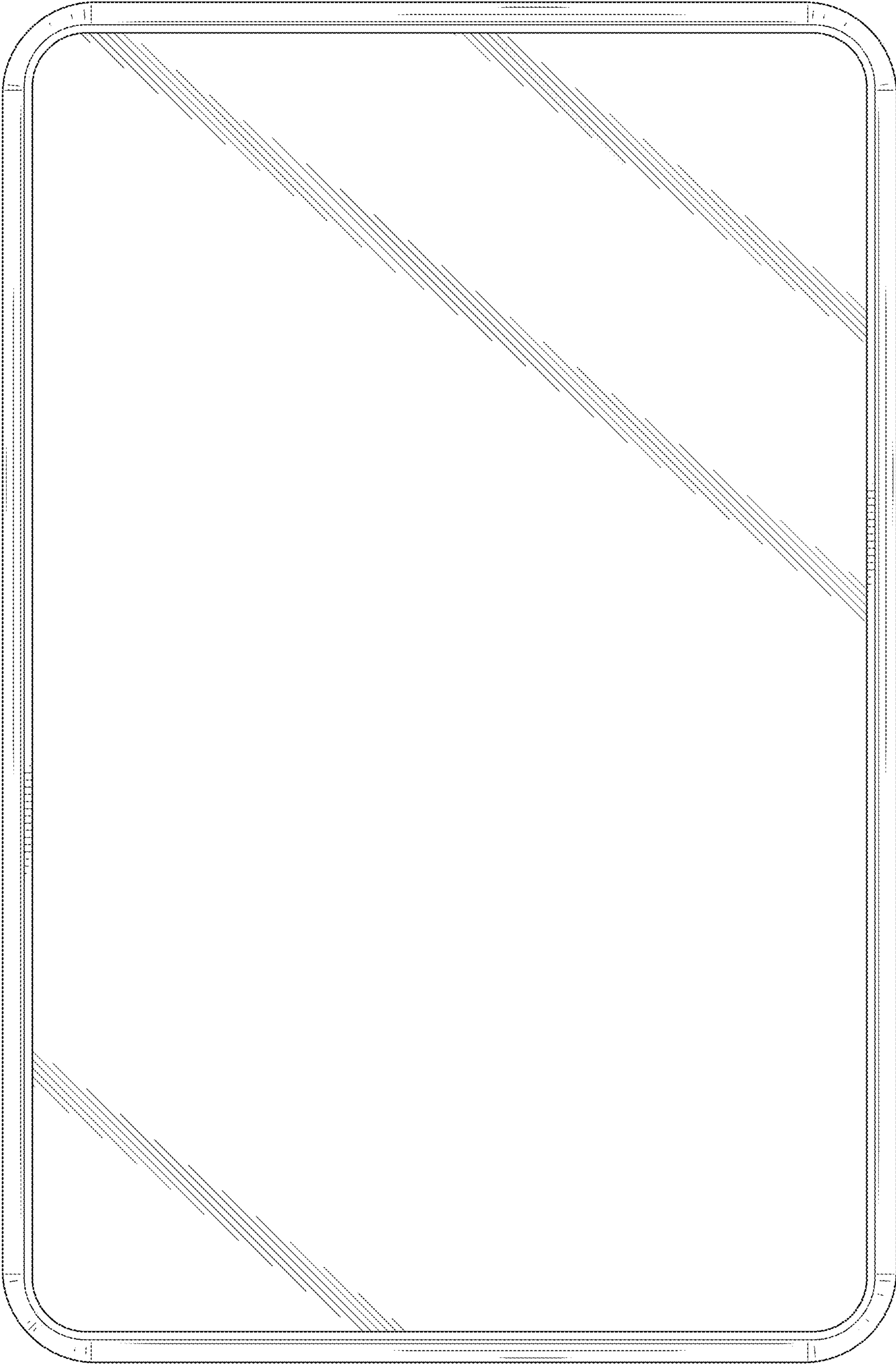


FIG. 2

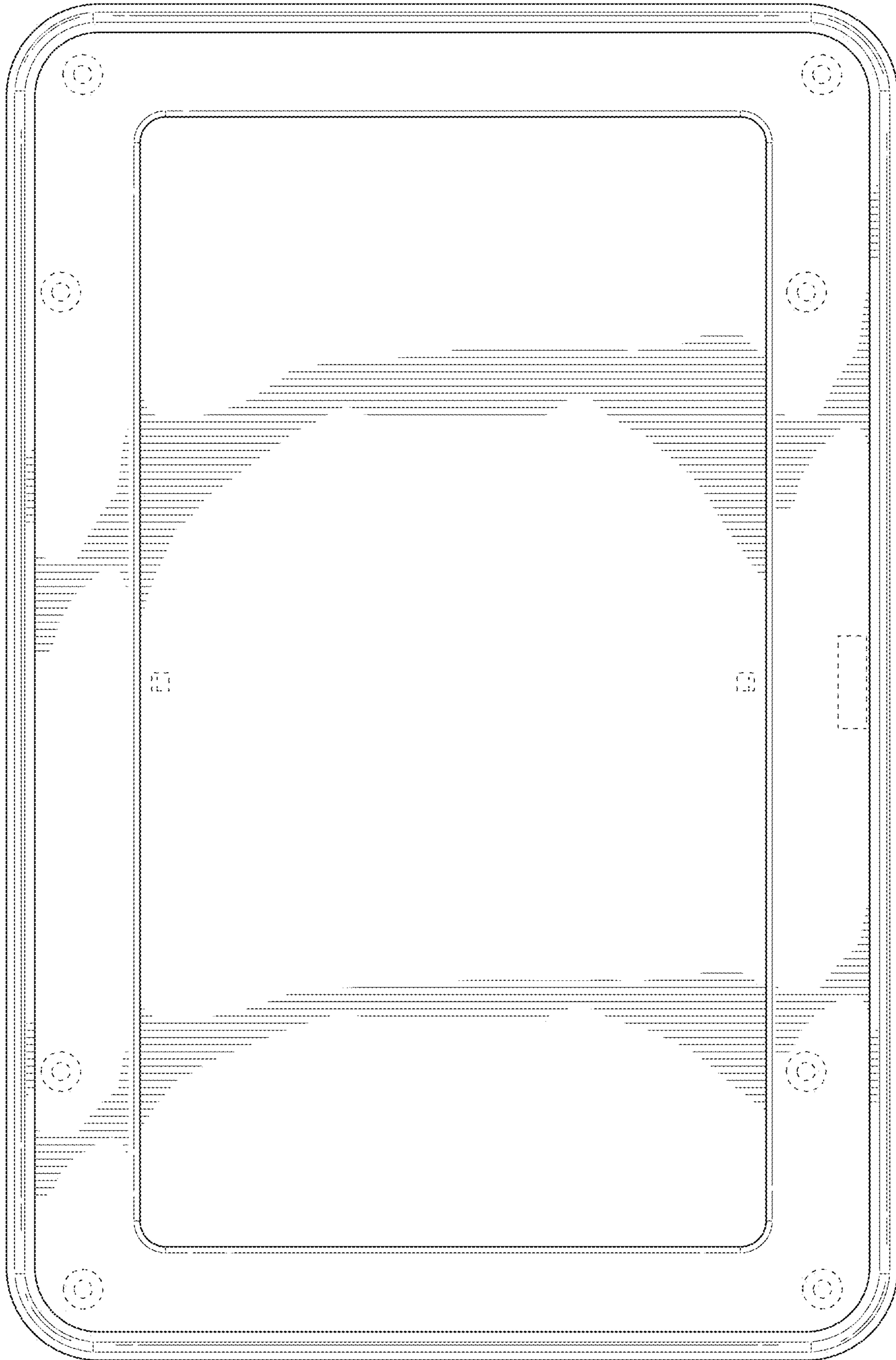


FIG. 3

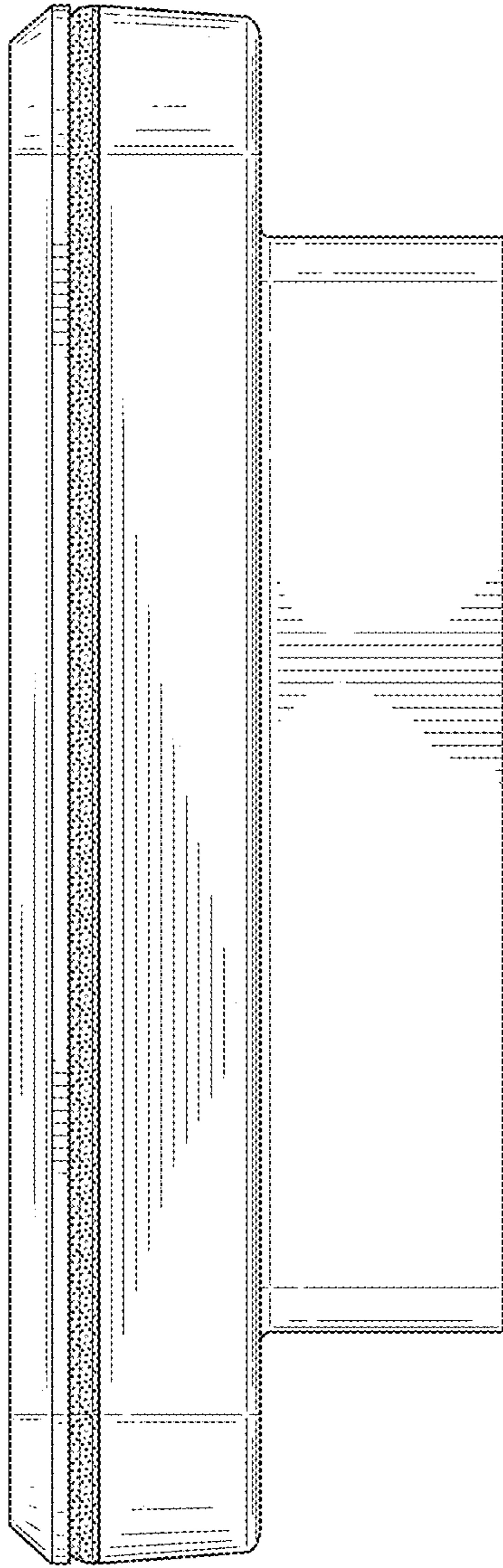


FIG. 4

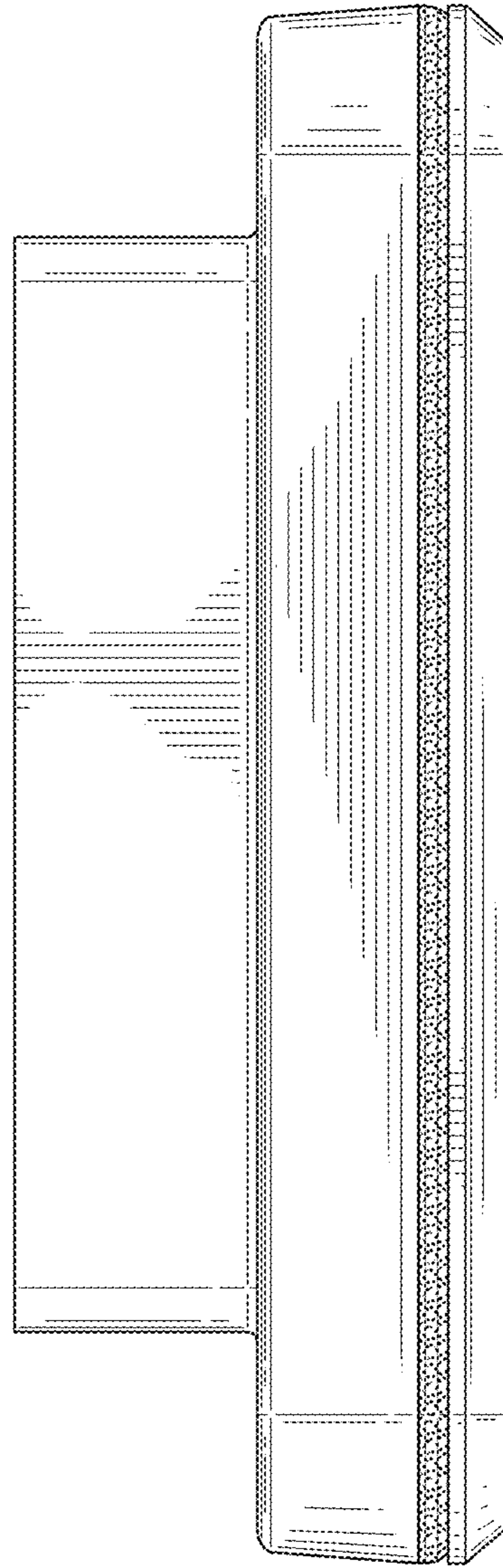


FIG. 5

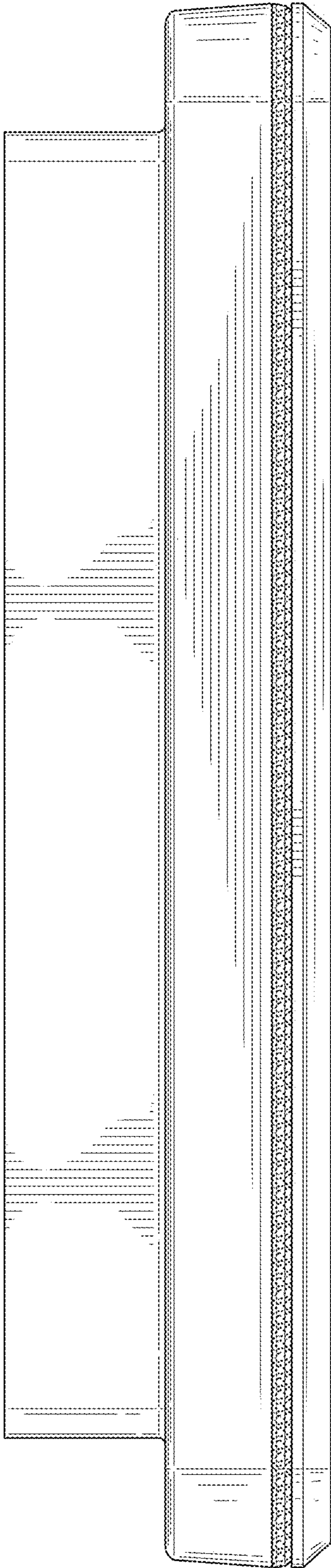


FIG. 6

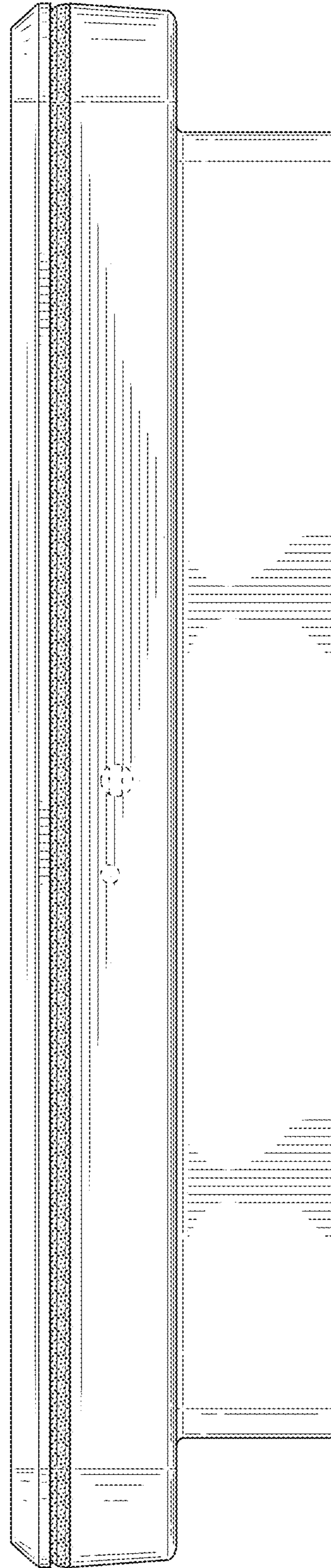


FIG. 7