



US00D894019S

(12) **United States Design Patent** (10) **Patent No.:** **US D894,019 S**
Galli (45) **Date of Patent:** **** Aug. 25, 2020**

(54) **WATCH**

(71) Applicant: **SALVATORE FERRAGAMO S.P.A.**,
Florence (IT)

(72) Inventor: **Giorgio Galli**, Milan (IT)

(73) Assignee: **SALVATORE FERRAGAMO S.P.A.**,
Florence (IT)

(**) Term: **15 Years**

(21) Appl. No.: **29/673,853**

(22) Filed: **Dec. 18, 2018**

Related U.S. Application Data

(62) Division of application No. 35/504,351, filed on Jul. 24, 2017 (U.S. filing date under 35 U.S.C. 384), and having an international filing date of Jul. 24, 2017, now Pat. No. Des. 840,845.

Foreign Application Priority Data

Jul. 24, 2017 (WO) DM/097041

(51) **LOC (12) Cl.** **10-02**

(52) **U.S. Cl.**
USPC **D10/39**

(58) **Field of Classification Search**
USPC D10/30, 31, 32, 33, 34, 35, 36, 37, 38,
D10/39, 122, 123, 124, 126, 128, 132;
D11/1, 2, 3, 12
CPC G04B 1/00; G04B 19/00; G04B 19/26;
G04B 19/06; G04B 19/10; G04B 19/18;
G04B 19/106; G04B 19/12; G04B 19/20;
G04B 19/22; G04B 19/21; G04B 17/28;
G04B 17/285

See application file for complete search history.

(56) **References Cited**

U.S. PATENT DOCUMENTS

D115,901 S *	8/1939	Banick	D10/124
D289,615 S *	5/1987	Thomke	D10/33
D302,130 S *	7/1989	Muller	D10/30
D327,224 S *	6/1992	Burgener	D10/30
D340,414 S *	10/1993	DeGraeve	D10/125
D390,478 S *	2/1998	Brzezinski	D10/30
D424,951 S *	5/2000	Inui	D10/30
D456,720 S *	5/2002	Brzezinski	D10/30
D462,280 S *	9/2002	Cheng	D10/39
D508,415 S *	8/2005	Kojima	D10/30
D518,741 S *	4/2006	Modolo	D10/32

(Continued)

OTHER PUBLICATIONS

Amazon, Salvatore Ferragamo Women's Miniature Watch, posted Nov. 20, 2017, [online], [visited Nov. 27, 2019]. Internet, <URL: <https://www.amazon.com/Salvatore-Ferragamo-Miniature-Stainless-Leather/dp/B076H11BTV>> (Year: 2017).*

(Continued)

Primary Examiner — Sheryl Lane
Assistant Examiner — Samantha N Wood

(74) *Attorney, Agent, or Firm* — Lucas & Mercanti, LLP

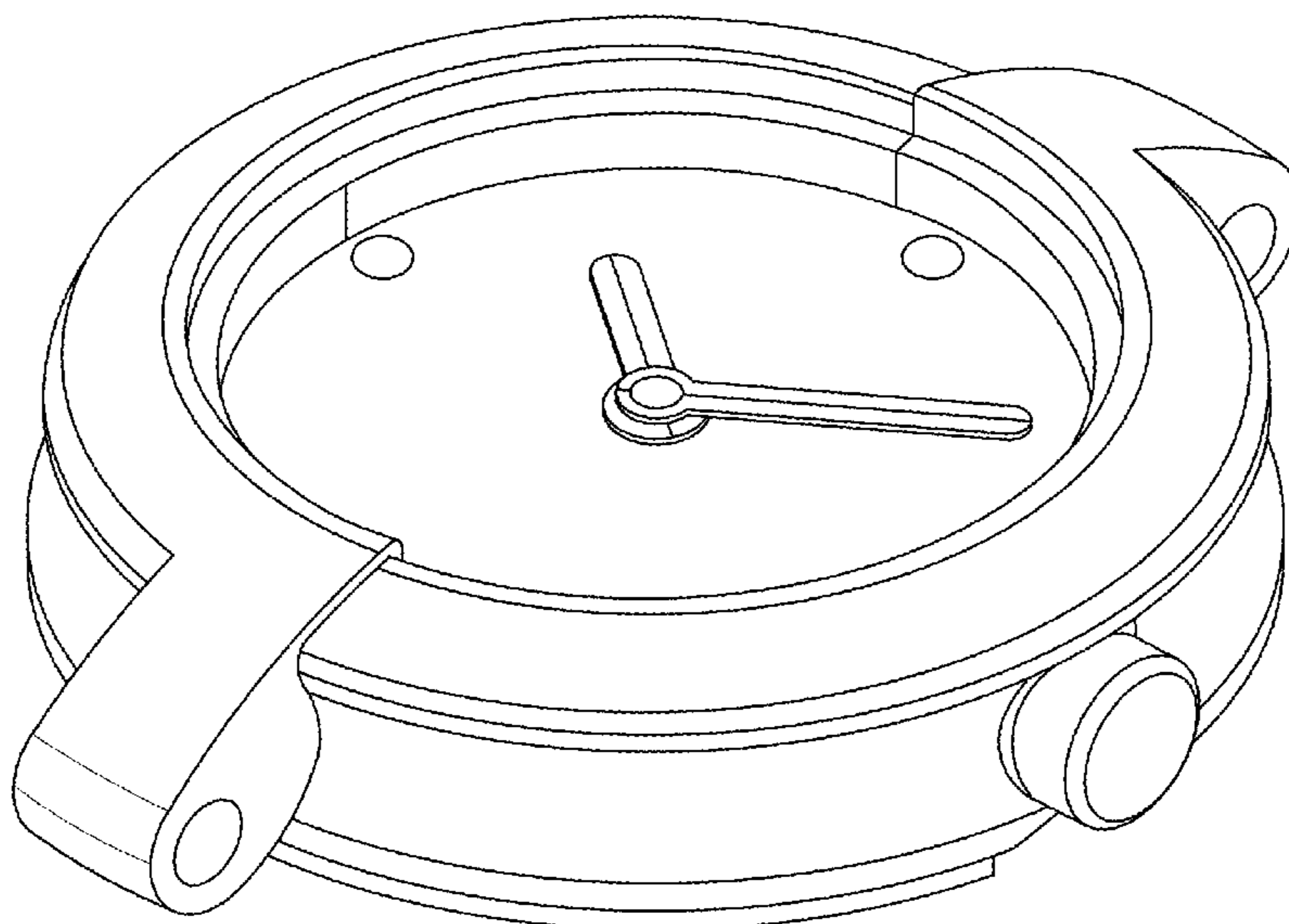
(57) **CLAIM**

The ornamental design for a watch, as shown and described.

DESCRIPTION

FIG. 1 is a perspective view of the watch according to the design;
FIG. 2 is a top view thereof;
FIG. 3 is a bottom view thereof;
FIG. 4 is a front view thereof;
FIG. 5 is a right side view thereof;
FIG. 6 is a left side view thereof; and,
FIG. 7 is a back side view thereof.
The broken lines depict portions of the watch that form no part of the claimed design.

1 Claim, 7 Drawing Sheets



(56)

References Cited

U.S. PATENT DOCUMENTS

D523,357 S * 6/2006 Kummer D10/38
D541,676 S * 5/2007 Liao D10/38
D565,430 S * 4/2008 Wartersian D10/38
D593,877 S * 6/2009 Jorst D10/32
D675,942 S * 2/2013 Giannini D10/33
D739,776 S * 9/2015 Vu D10/103
D762,494 S * 8/2016 Galli D10/126

OTHER PUBLICATIONS

Amazon, Anne Klein Women's Watch, posted May 27, 2011, [online], [visited Nov. 27, 2019]. Internet, <URL: <https://www.amazon.com/Anne-Klein-Womens-Leather-Strap/dp/B078YC6722/ref=pd>> (Year: 2011).*

* cited by examiner

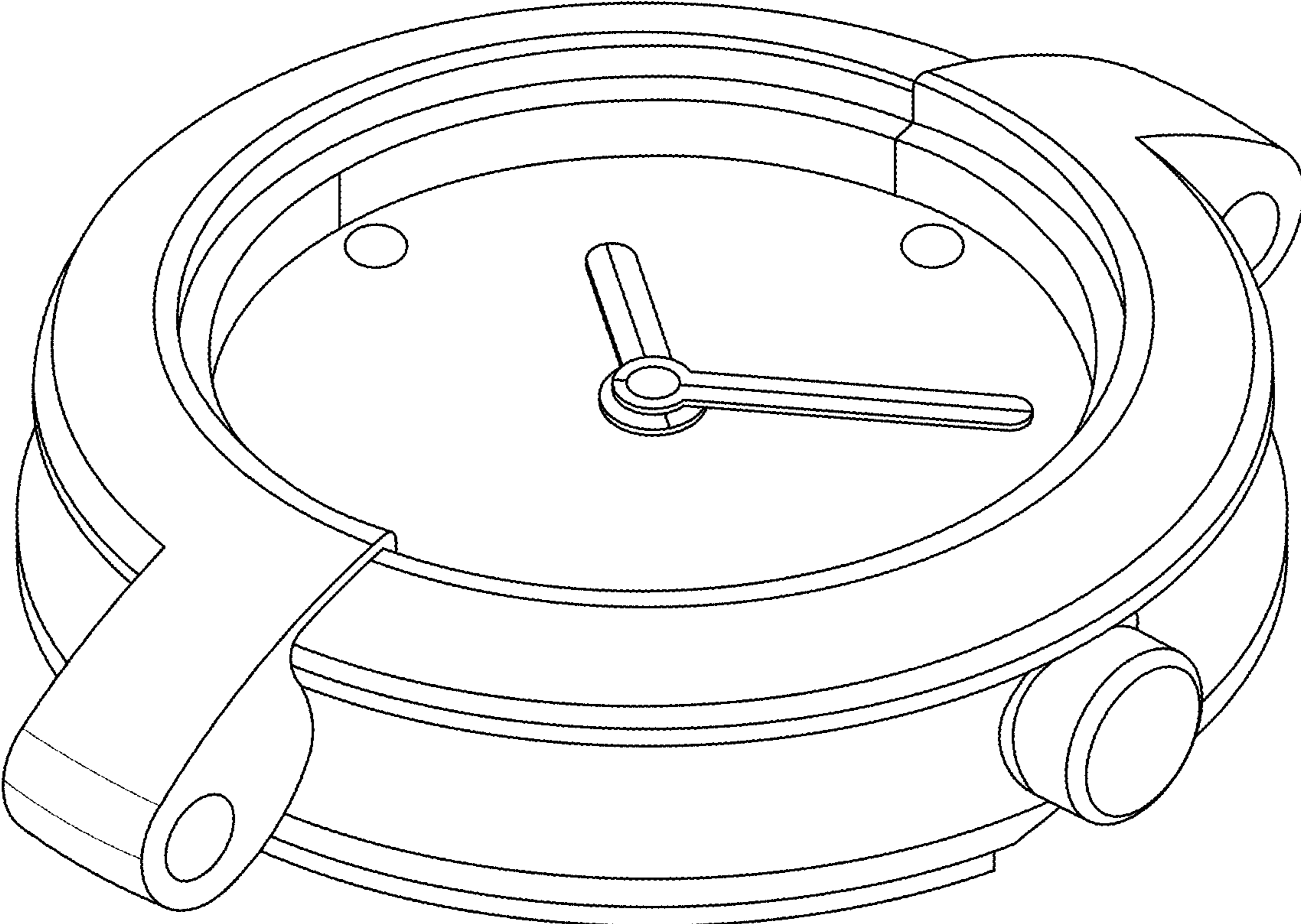


FIG. 1

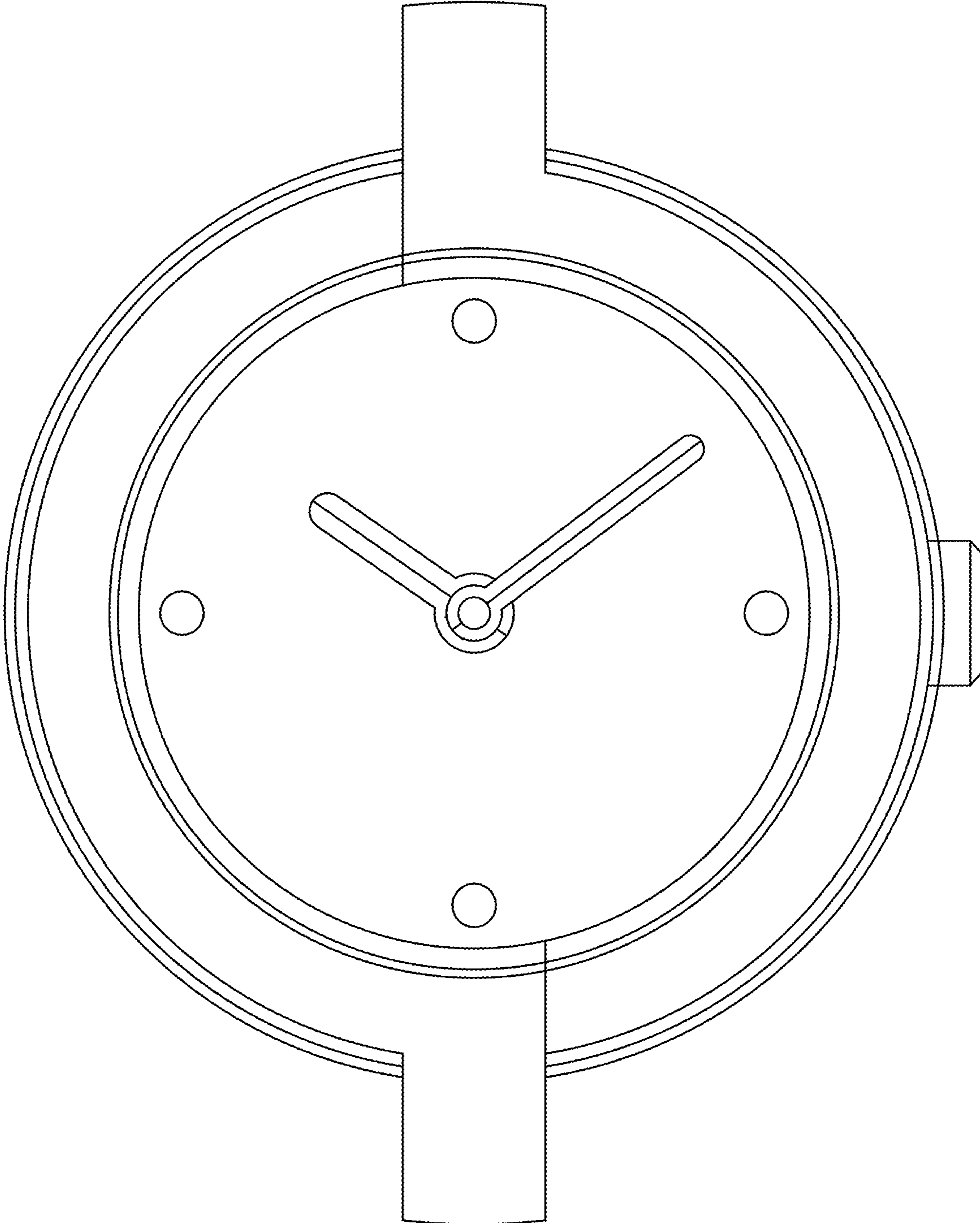


FIG. 2

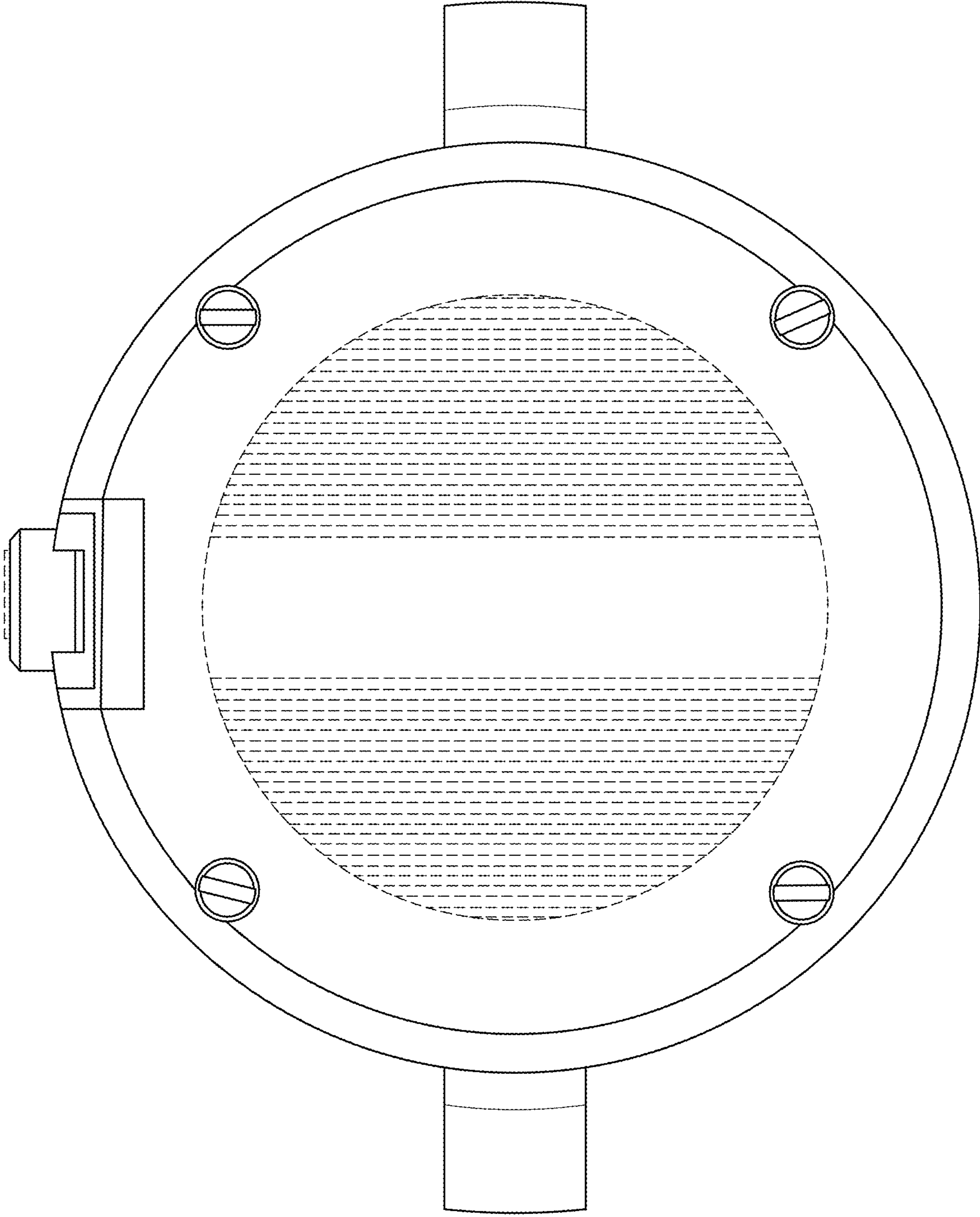


FIG. 3

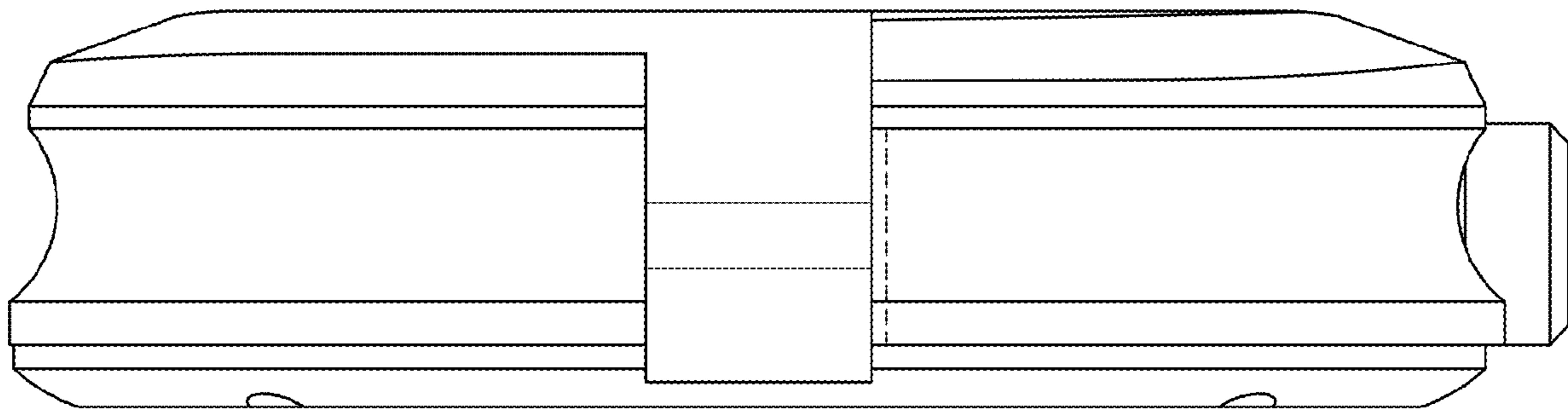


FIG. 4

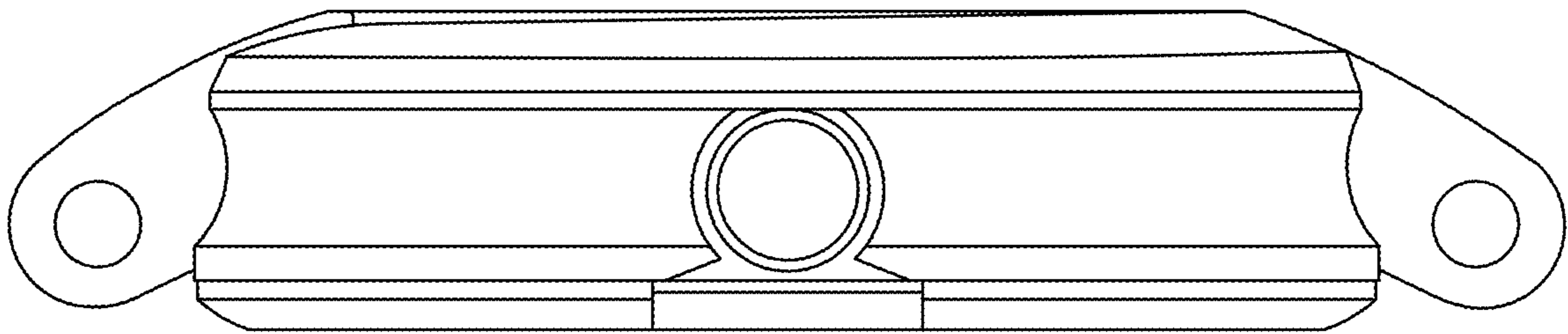


FIG. 5

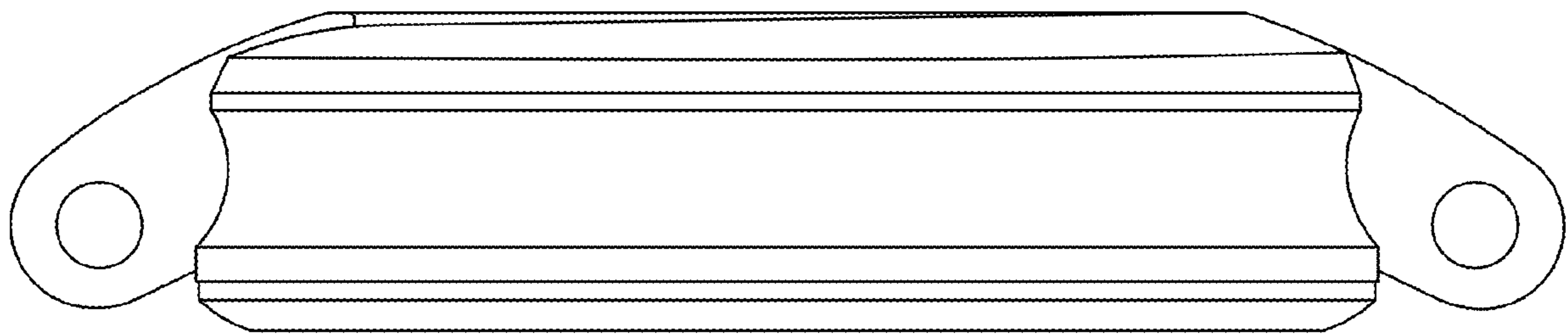


FIG. 6

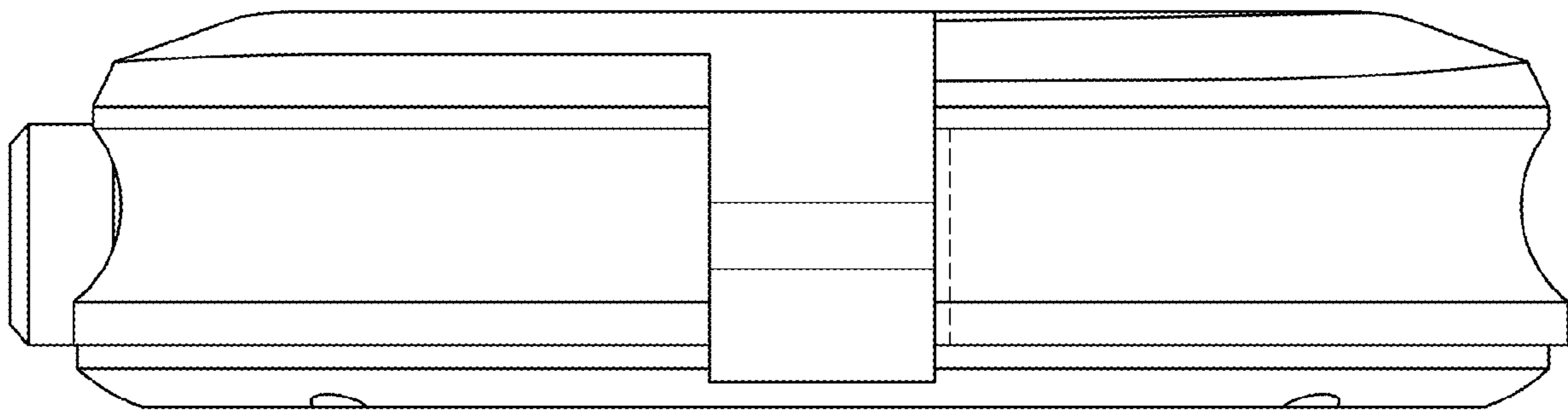


FIG. 7