



US00D894011S

(12) **United States Design Patent** (10) **Patent No.:** **US D894,011 S**  
**Wodzisz** (45) **Date of Patent:** **\*\* Aug. 25, 2020**

(54) **GIFT PACKAGING**  
(71) Applicant: **David Wodzisz**, Saint Petersburg, FL (US)  
(72) Inventor: **David Wodzisz**, Saint Petersburg, FL (US)  
(\*\*) Term: **15 Years**  
(21) Appl. No.: **29/638,391**  
(22) Filed: **Feb. 27, 2018**  
(51) **LOC (12) Cl.** ..... **09-01**  
(52) **U.S. Cl.**  
USPC ..... **D9/665**  
(58) **Field of Classification Search**  
USPC ..... D3/202, 204, 270, 271.1-271.4;  
D7/509-511, 514-521, 529, 594, 599,  
D7/604, 613, 619.2, 623, 628; D9/600,  
D9/665, 414-432, 434; 206/457, 459.5,  
206/527; 215/381-384, 400  
CPC .... B65D 5/4258; B65D 81/60; B65D 81/365;  
B65D 81/366; B65D 81/368; B65D  
2203/00; B65D 2203/02; B65D 5/42;  
B65D 77/00; A63H 33/16  
See application file for complete search history.

D358,093 S \* 5/1995 Lanteigne ..... D9/665  
D431,185 S \* 9/2000 Davis ..... D9/665  
6,158,588 A 12/2000 Conti  
D442,476 S \* 5/2001 Davis ..... D9/665  
6,520,334 B1 2/2003 Hoover  
D499,961 S \* 12/2004 Wilson ..... D9/665  
6,892,884 B1 5/2005 Fernandez  
D557,896 S 12/2007 Duchaine  
D604,179 S \* 11/2009 Rodriguez ..... D9/665  
D619,476 S \* 7/2010 McClellan ..... A47G 19/24  
D9/665  
D680,441 S \* 4/2013 Herbst ..... D9/665  
8,662,305 B2 3/2014 Sung  
2013/0081963 A1 4/2013 Anderson  
2015/0034520 A1 2/2015 Beadles

**FOREIGN PATENT DOCUMENTS**

WO 2007127242 9/2008

\* cited by examiner

*Primary Examiner* — Sandra L Morris

(57) **CLAIM**

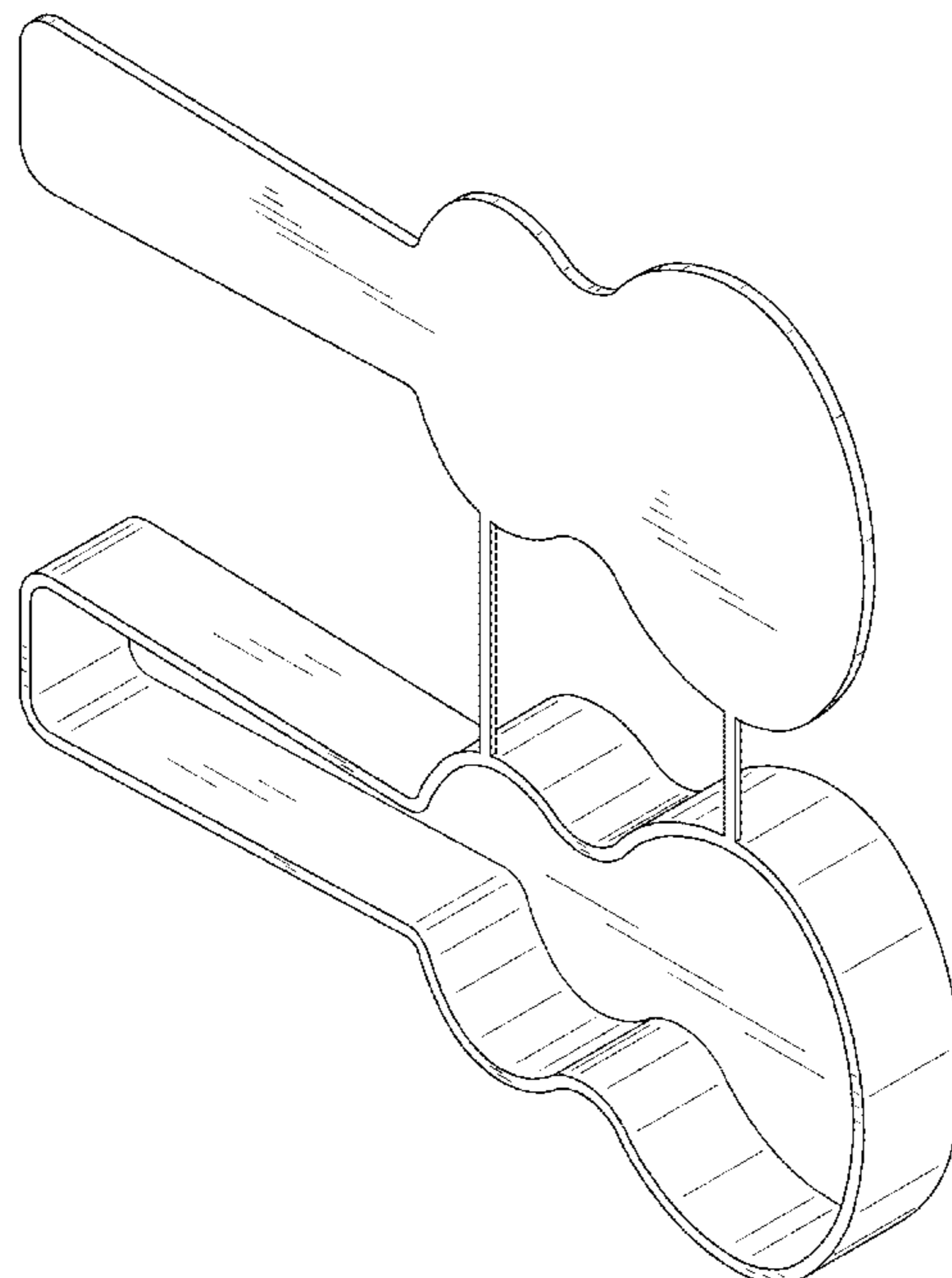
I claim the ornamental design for gift packaging, as shown and described.

**DESCRIPTION**

FIG. 1 is a front view of the gift packaging.  
FIG. 2 is a back view of the claimed design.  
FIG. 3 is a top view of the claimed design.  
FIG. 4 is a bottom view of the claimed design.  
FIG. 5 is a left side view of the claimed design.  
FIG. 6 is a right side view of the claimed design; and,  
FIG. 7 is a perspective view of the claimed design.

**1 Claim, 5 Drawing Sheets**

(56) **References Cited**  
U.S. PATENT DOCUMENTS  
D132,585 S \* 5/1942 Straus ..... D9/665  
2,873,890 A \* 2/1959 Starkenberg ..... A47G 19/24  
D7/594  
D287,578 S 1/1987 Shay  
D300,408 S \* 3/1989 Couri ..... D9/665



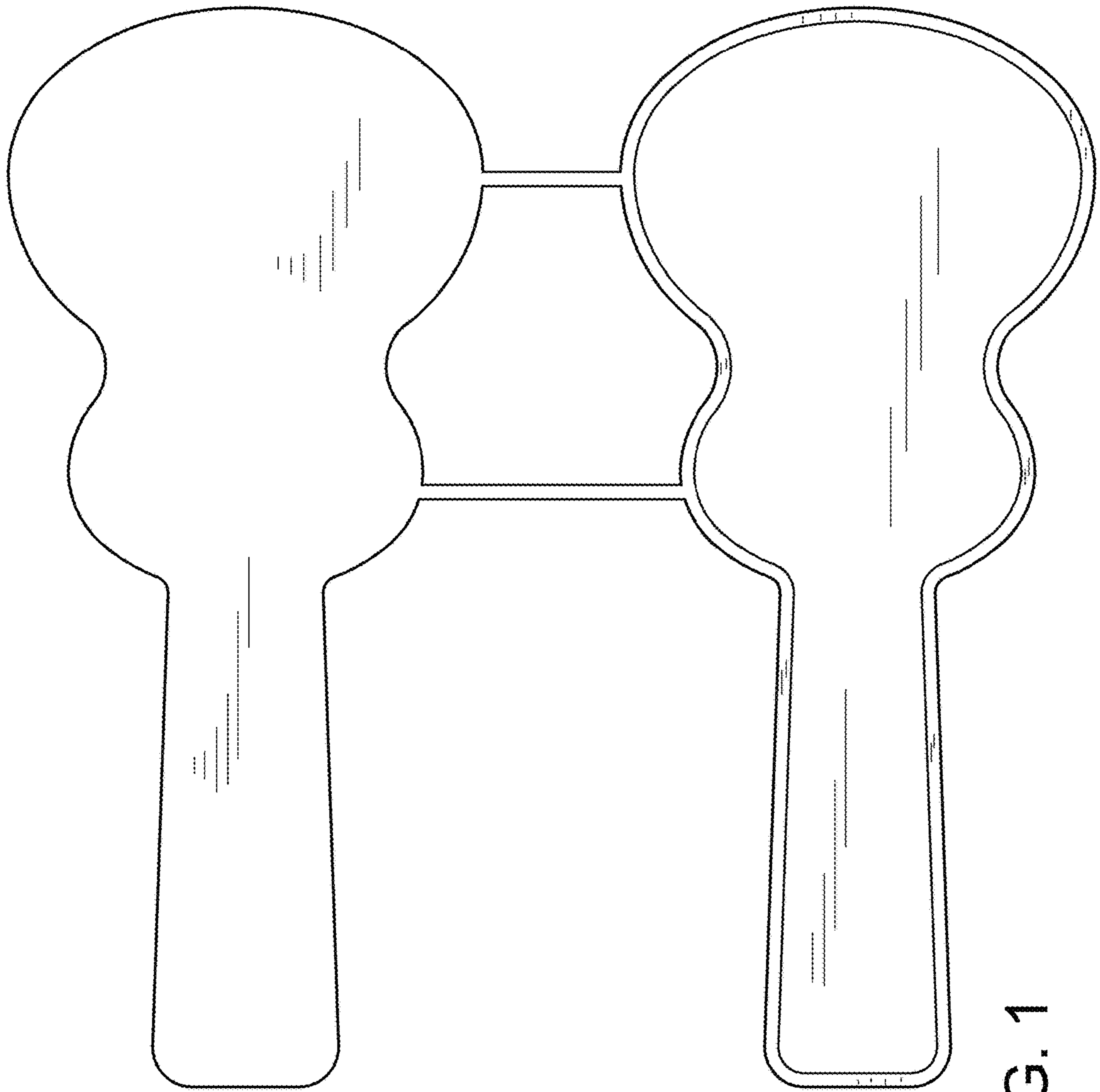


FIG. 1

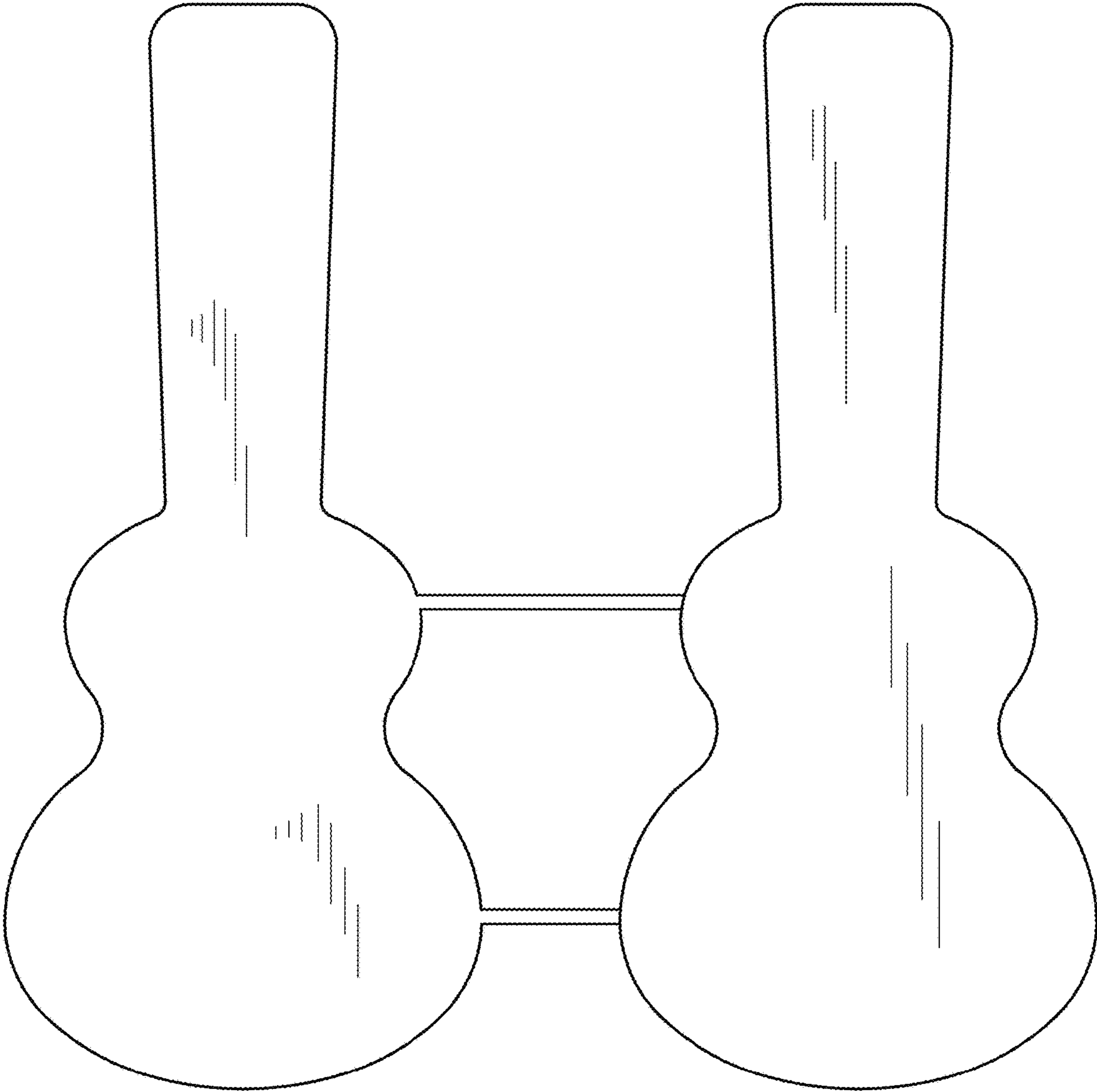


FIG. 2

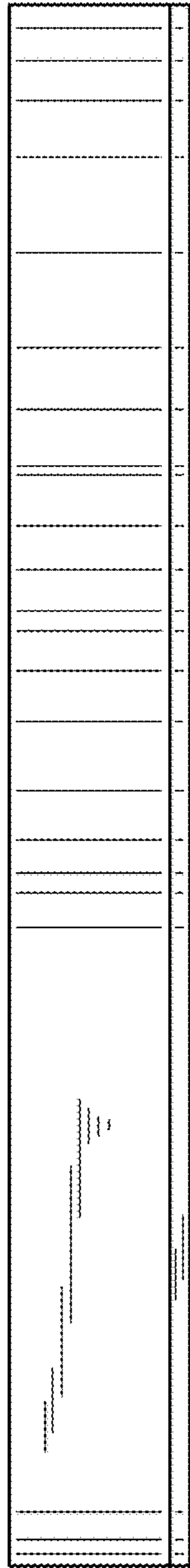


FIG. 3

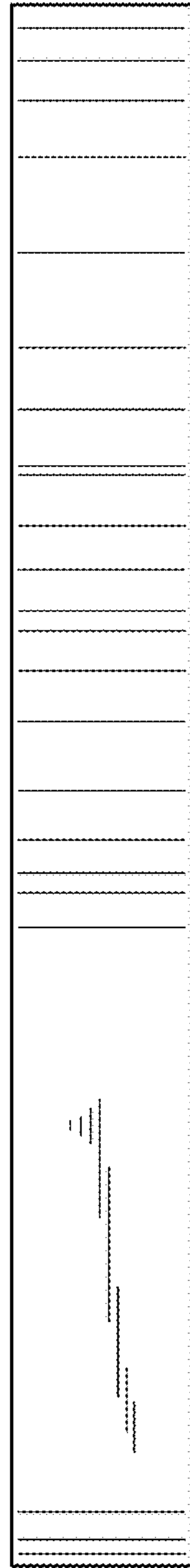


FIG. 4

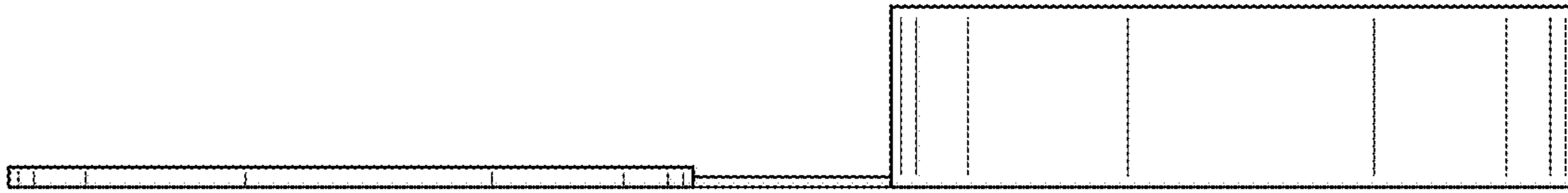


FIG. 6

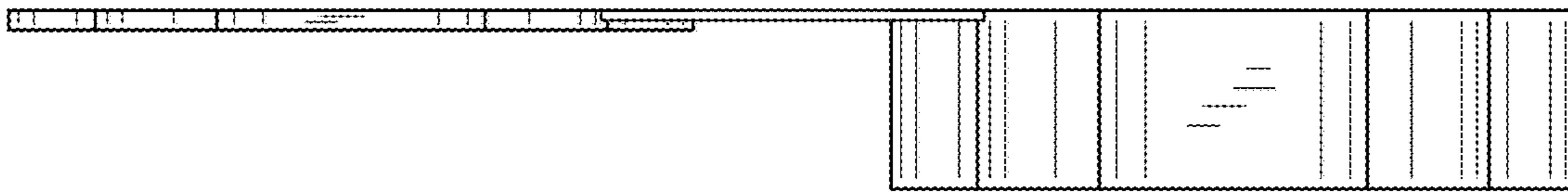


FIG. 5

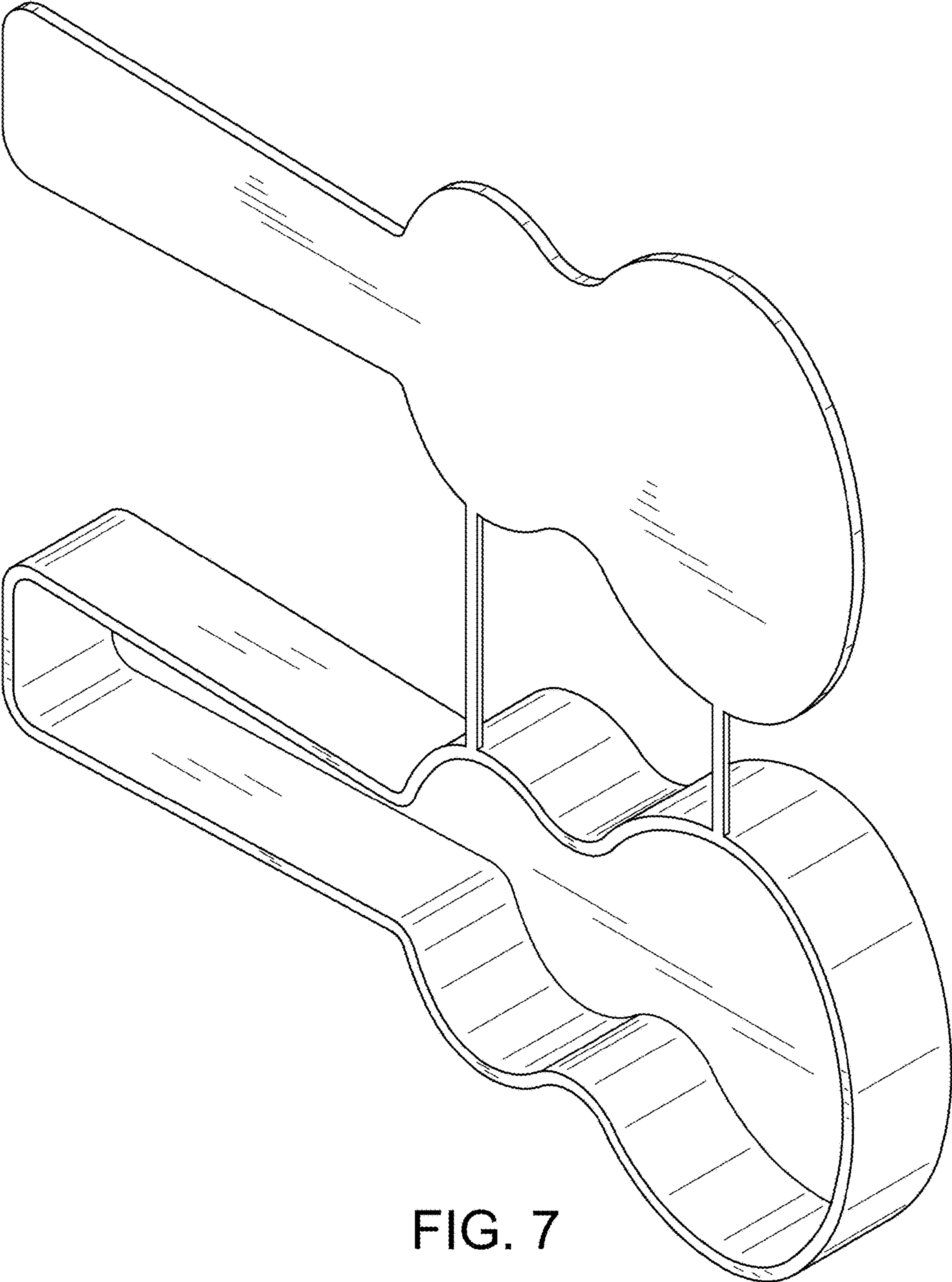


FIG. 7