



US00D894009S

(12) **United States Design Patent** (10) **Patent No.:** **US D894,009 S**
Harris et al. (45) **Date of Patent:** **** Aug. 25, 2020**

(54) **PRODUCT PACKAGE**

(71) Applicant: **Johnson & Johnson Consumer Inc.**,
Skillman, NJ (US)

(72) Inventors: **Joel Harris**, Brookfield, WI (US);
Travis England, Brooklyn, NY (US)

(73) Assignee: **Johnson & Johnson Consumer Inc.**,
Skillman, NJ (US)

(**) Term: **15 Years**

(21) Appl. No.: **29/684,570**

(22) Filed: **Mar. 22, 2019**

(51) **LOC (12) Cl.** **09-01**

(52) **U.S. Cl.**
USPC **D9/627**; D9/434; D9/621

(58) **Field of Classification Search**
USPC D3/270, 271.1-271.4; D7/510, 514-520,
D7/599, 604, 613, 619.2, 623, 628;
D9/600, 614, 621-628, 414-434;
206/457, 459.5, 527; 215/381-384, 400;
D14/485, 489, 492, 494-495; D20/23-32
CPC B65D 5/42; B65D 5/4258; B65D 81/36;
B65D 81/365; B65D 81/366; B65D
81/368; B65D 2203/00; B65D 2203/02;
B65D 37/00; A63H 33/16; B32D 73/16;
B32D 73/162; B32D 73/164
See application file for complete search history.

(56) **References Cited**

U.S. PATENT DOCUMENTS

D375,676 S *	11/1996	Davis	D9/624
D597,412 S *	8/2009	Kusumi	D9/432
D636,680 S *	4/2011	Cocchioni	D9/432
D650,693 S *	12/2011	Miller	D9/432
D795,073 S *	8/2017	Powers	D9/625
D796,951 S *	9/2017	Read	D9/434
D802,436 S *	11/2017	Spenceman	D9/621
D843,221 S *	3/2019	Baker	D9/627
D850,277 S *	6/2019	Murchison	D9/625

* cited by examiner

Primary Examiner — Sandra L Morris

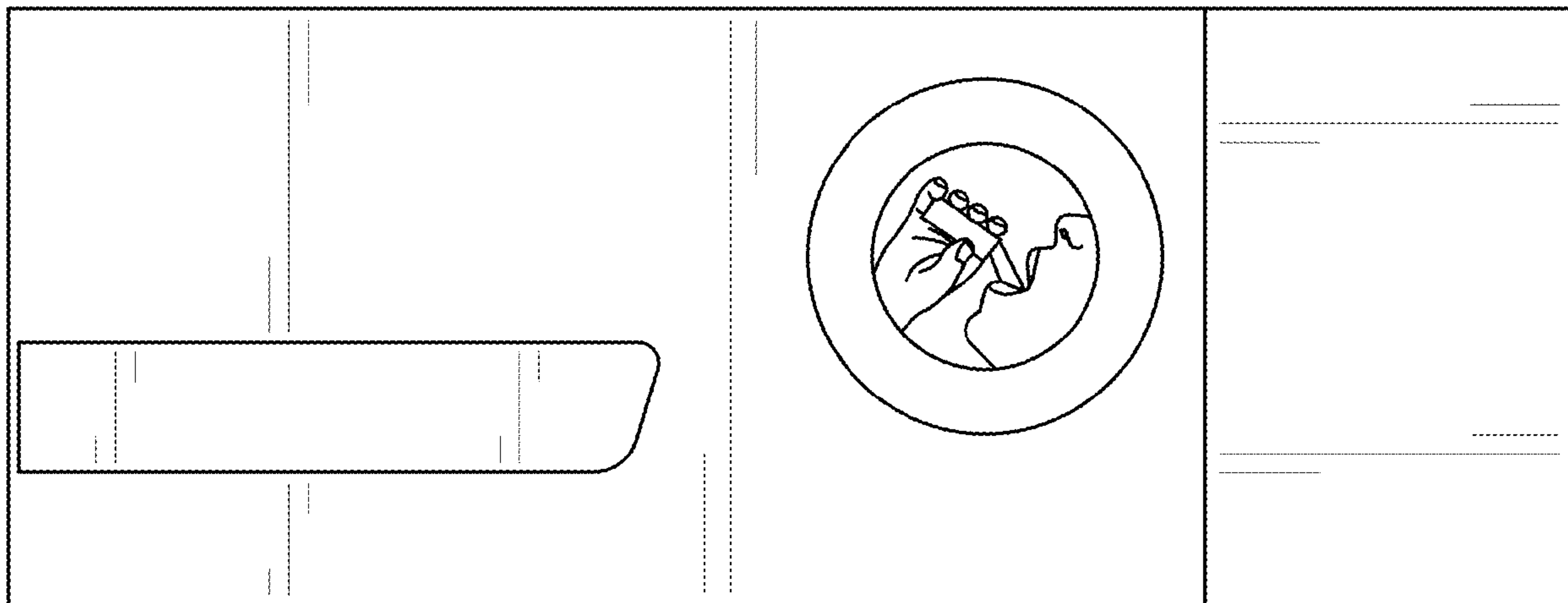
(57) **CLAIM**

The ornamental design for a product package with surface pattern, as shown and described.

DESCRIPTION

FIG. 1 is a front view of the product package with surface pattern; and,
FIG. 2 is a front view of a second embodiment of the product package with surface pattern.
The ornamental design which is claimed is shown in solid lines in the drawings.
The dashed broken lines are shown for the purpose of illustrating environment and form no part of the claimed design.
Designs 1-2 show packages with surface patterns for medication.

1 Claim, 2 Drawing Sheets



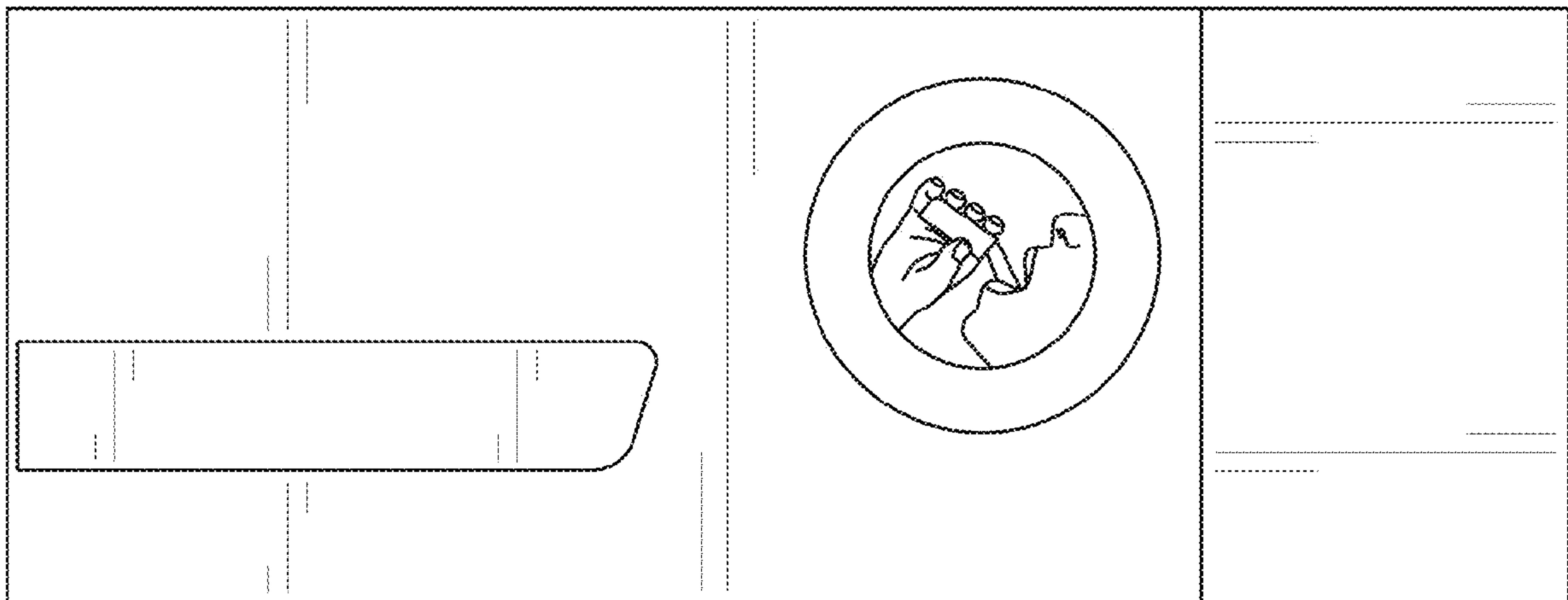


FIG. 1

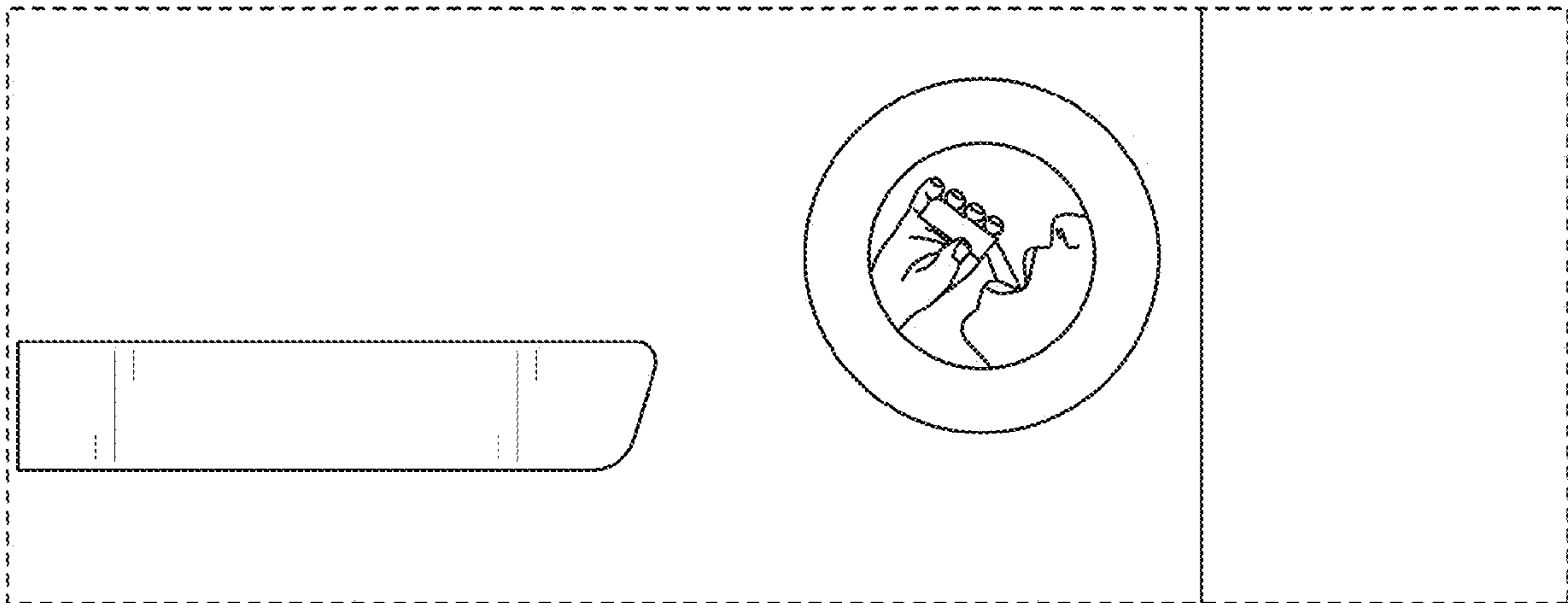


FIG. 2