



US00D894007S

(12) **United States Design Patent** (10) **Patent No.:** **US D894,007 S**
Eble (45) **Date of Patent:** **** Aug. 25, 2020**

(54) **CONTAINER**

FOREIGN PATENT DOCUMENTS

(71) Applicant: **Pretium Packaging, L.L.C.**,
Chesterfield, MO (US)
(72) Inventor: **Raymond C. Eble**, Sugarloaf, PA (US)
(73) Assignee: **Pretium Packaging, L.L.C.**,
Chesterfield, MO (US)

CA 2552105 A1 1/2007
CA 136194 S 7/2011
CA 2774334 A1 10/2012

Primary Examiner — Shannon W Morgan
Assistant Examiner — Keith Frank
(74) *Attorney, Agent, or Firm* — Armstrong Teasdale LLP

(**) Term: **15 Years**

(57) **CLAIM**

(21) Appl. No.: **29/640,798**

I claim the ornamental design for a container, as shown and described.

(22) Filed: **Mar. 16, 2018**

(51) **LOC (12) Cl.** **09-01**

(52) **U.S. Cl.**
USPC **D9/563; D9/575**

DESCRIPTION

(58) **Field of Classification Search**
USPC D9/516, 544, 546, 547, 559, 560, 563,
D9/572, 573, 574, 715, 719; D3/203.1
CPC B65D 2501/0081; B65D 1/0223; B65D
51/18

FIG. 1 is a perspective view of a first embodiment of a container showing the new design; FIG. 2 is a left side view thereof; FIG. 3 is a right side view thereof; FIG. 4 is a front view thereof; FIG. 5 is a rear view thereof; FIG. 6 is a top view thereof; FIG. 7 is a bottom view thereof; FIG. 8 is a cross-sectional view thereof taken along line 8-8 of FIG. 4; FIG. 9 is a perspective view of a second embodiment of a container showing the new design; FIG. 10 is a left side view thereof; FIG. 11 is a right side view thereof; FIG. 12 is a front view thereof; FIG. 13 is a rear view thereof; FIG. 14 is a top view thereof; FIG. 15 is a bottom view thereof; and, FIG. 16 is a cross-sectional view thereof taken along line 16-16 of FIG. 12. The broken lines in the drawings showing the container illustrate the portions of the container that form no part of the claimed design.

See application file for complete search history.

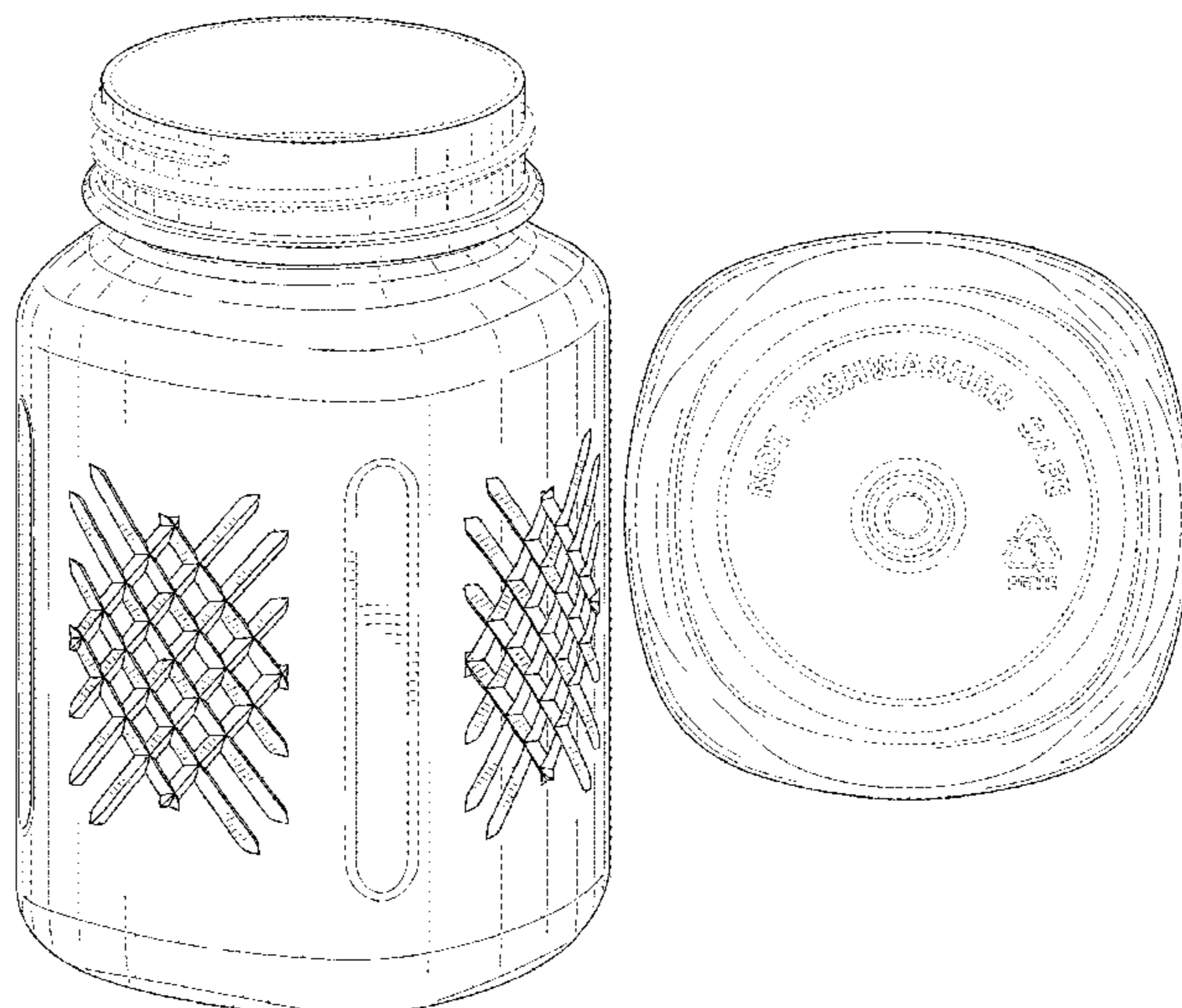
(56) **References Cited**

U.S. PATENT DOCUMENTS

D102,268 S	*	12/1936	Flannery	D9/502
D264,435 S	*	5/1982	Pettengill	D7/615
D282,050 S	*	1/1986	Beaver	D9/547
D356,264 S	*	3/1995	Praturlon	D9/773
D487,564 S	*	3/2004	Beck	D9/520
D518,725 S		4/2006	Eble		
D531,904 S		11/2006	Sillett et al.		
D539,661 S		4/2007	Eble		
D606,870 S	*	12/2009	Kaminski	D9/552
D607,743 S		1/2010	Eble		
D608,211 S		1/2010	Eble		
D612,266 S	*	3/2010	Kaminski	D9/553
D619,012 S		7/2010	Eble		
D639,172 S		6/2011	Dupuis et al.		
D639,173 S		6/2011	Dupuis et al.		
D663,624 S		7/2012	Eble		

(Continued)

1 Claim, 16 Drawing Sheets



(56)

References Cited

U.S. PATENT DOCUMENTS

D680,005 S	4/2013	Eble	
D682,114 S *	5/2013	Kraus	D9/554
D697,408 S	1/2014	Eble	
D701,769 S	4/2014	Eble	
D717,662 S	11/2014	Eble	
D721,278 S	1/2015	Eble	
D722,883 S	2/2015	Eble	
D722,884 S	2/2015	Eble	
D734,161 S *	7/2015	Bolleaux	D9/545
D735,581 S	8/2015	Eble	
D739,757 S *	9/2015	Newton	D9/520
9,193,495 B2	11/2015	Eble	
D760,591 S *	7/2016	Groglopo Favetto	D9/500
D791,606 S *	7/2017	Cobb	D9/566
D805,393 S *	12/2017	Eble	D9/552

* cited by examiner

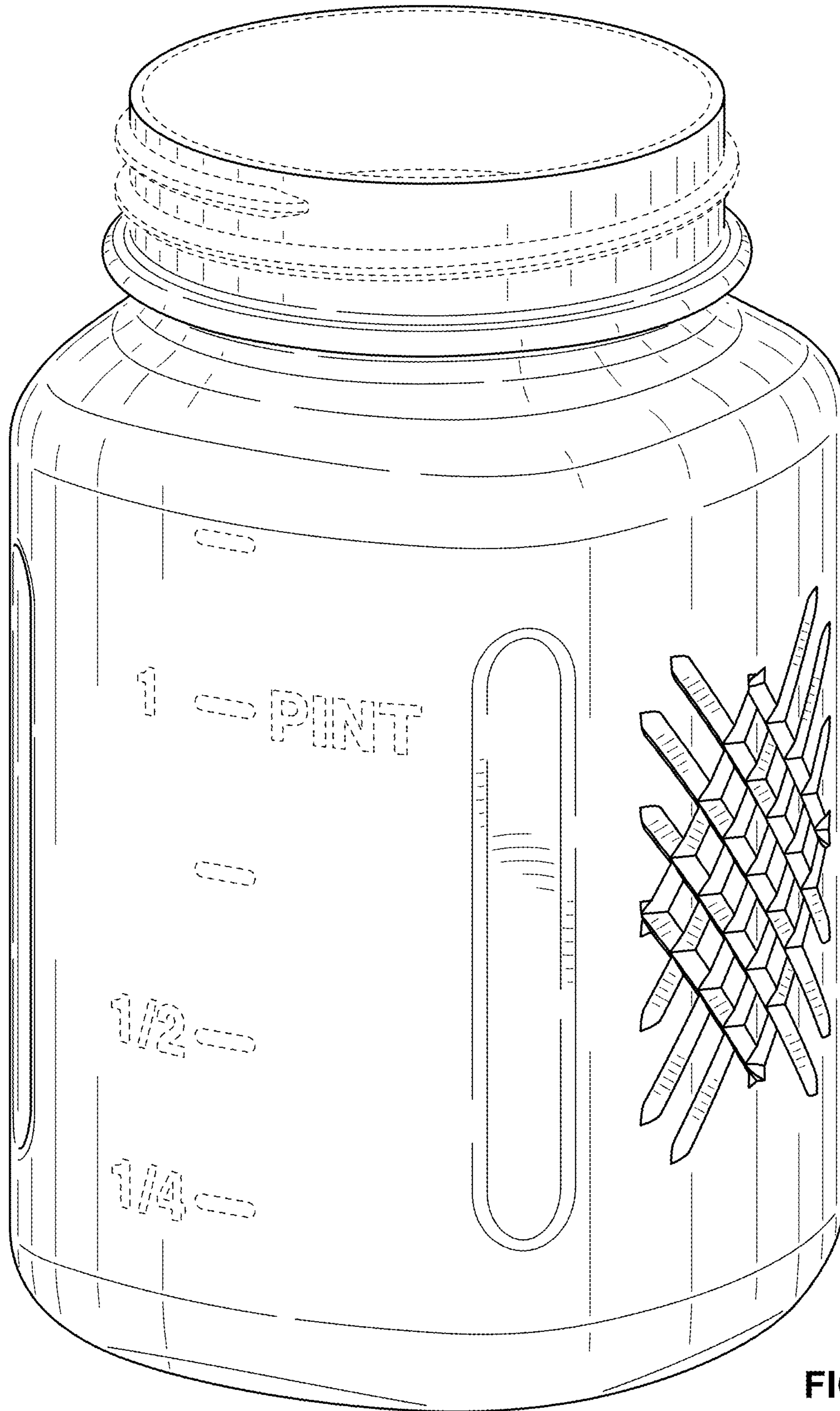


FIG. 1

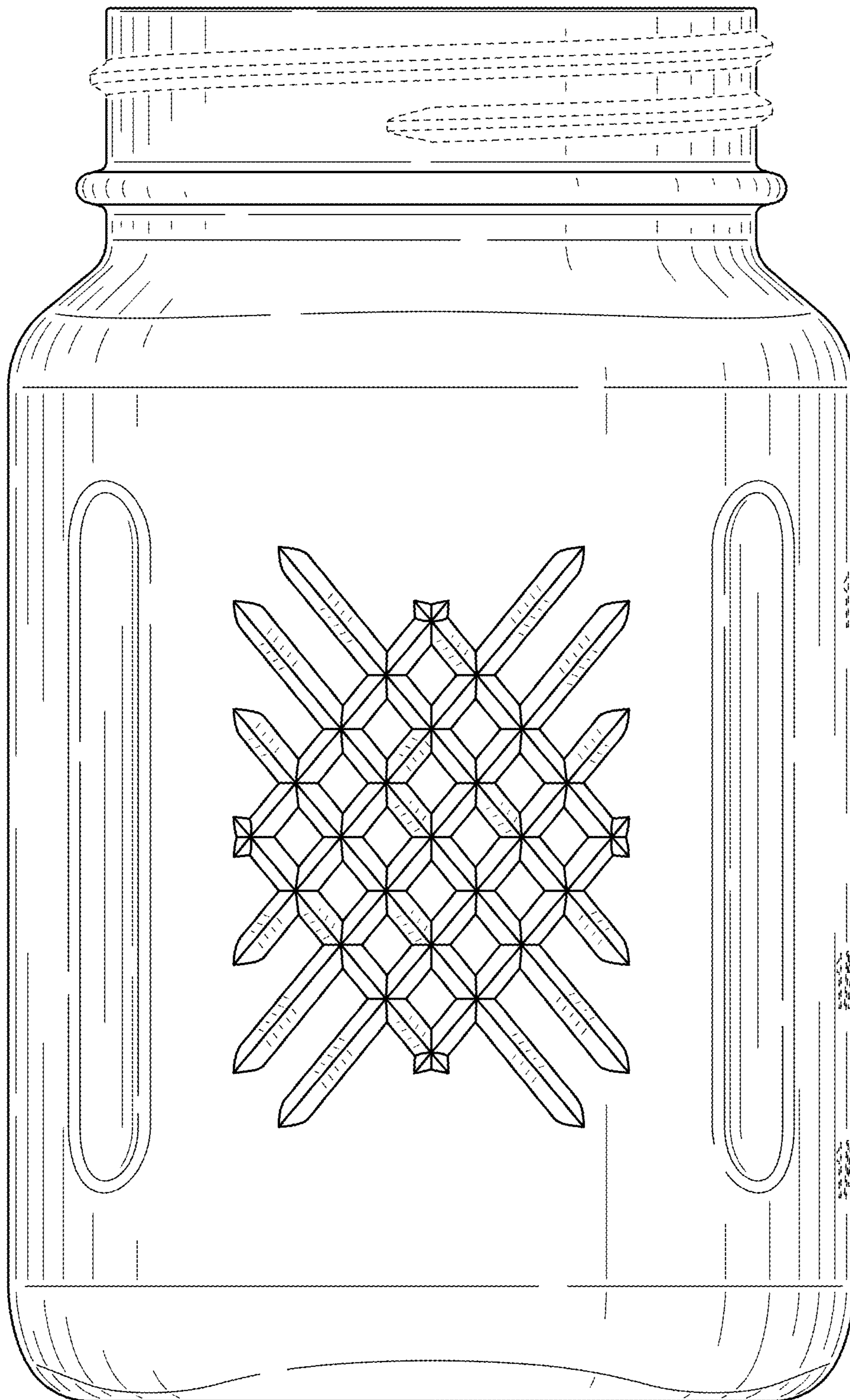


FIG. 2

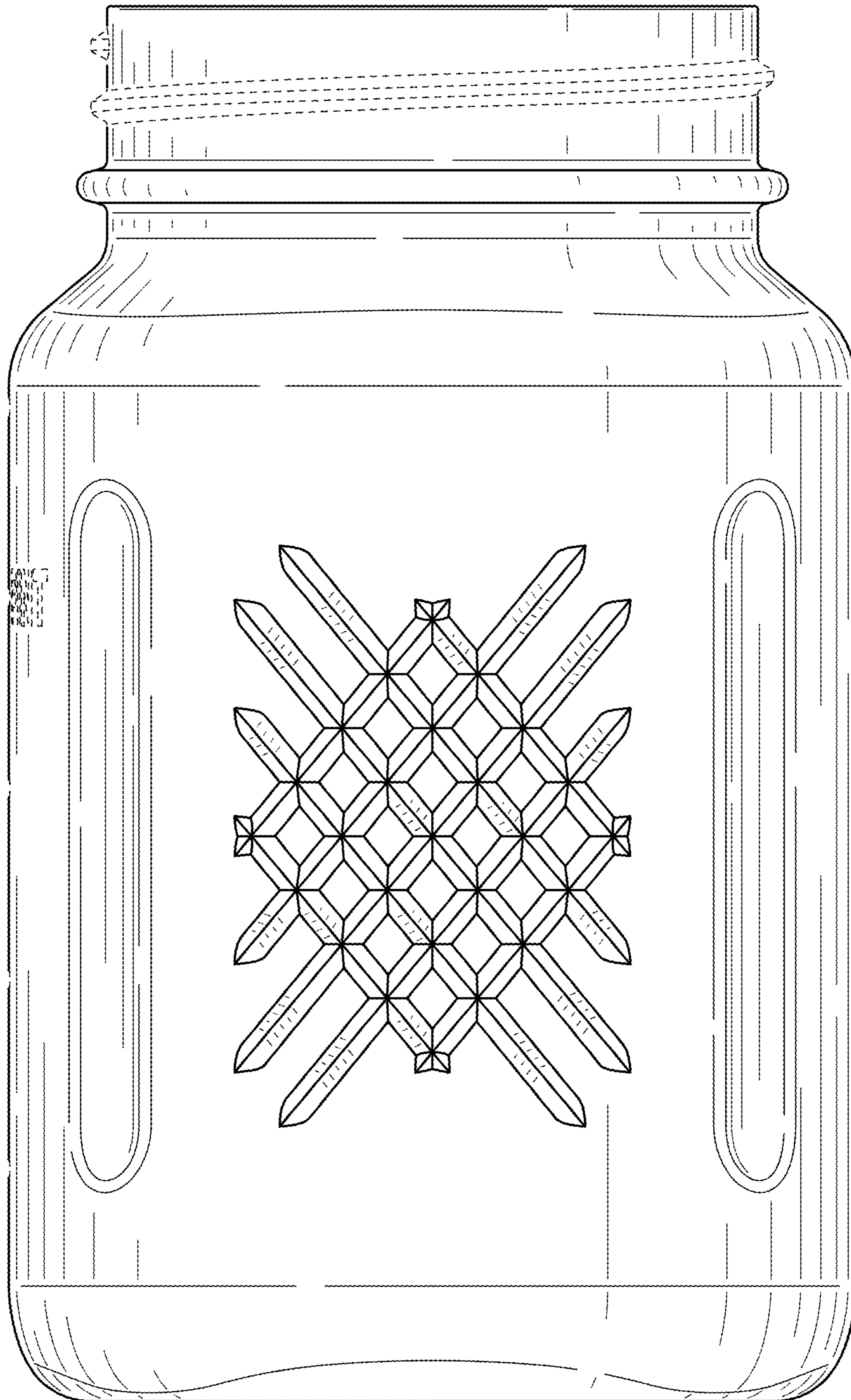


FIG. 3

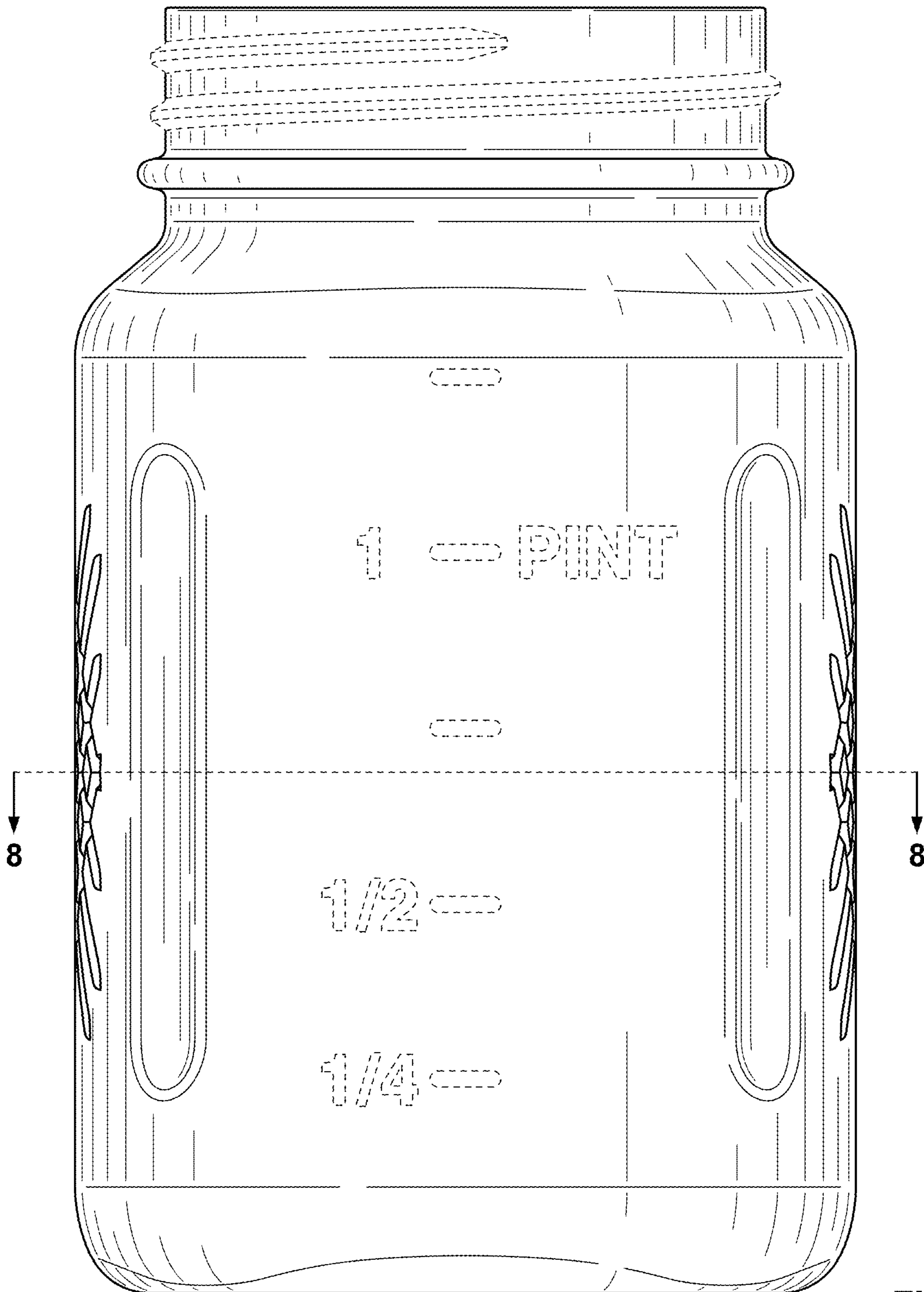


FIG. 4

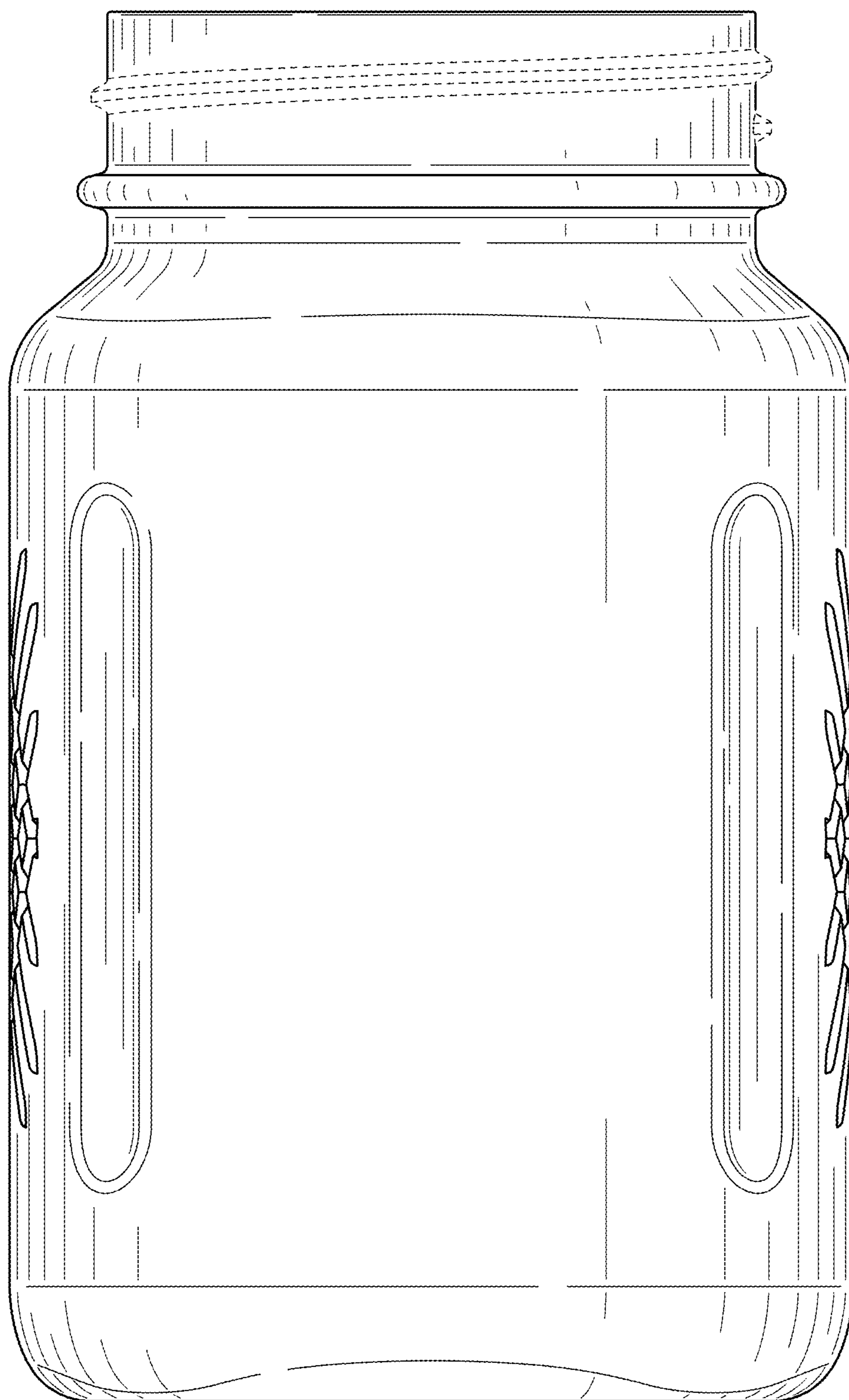


FIG. 5

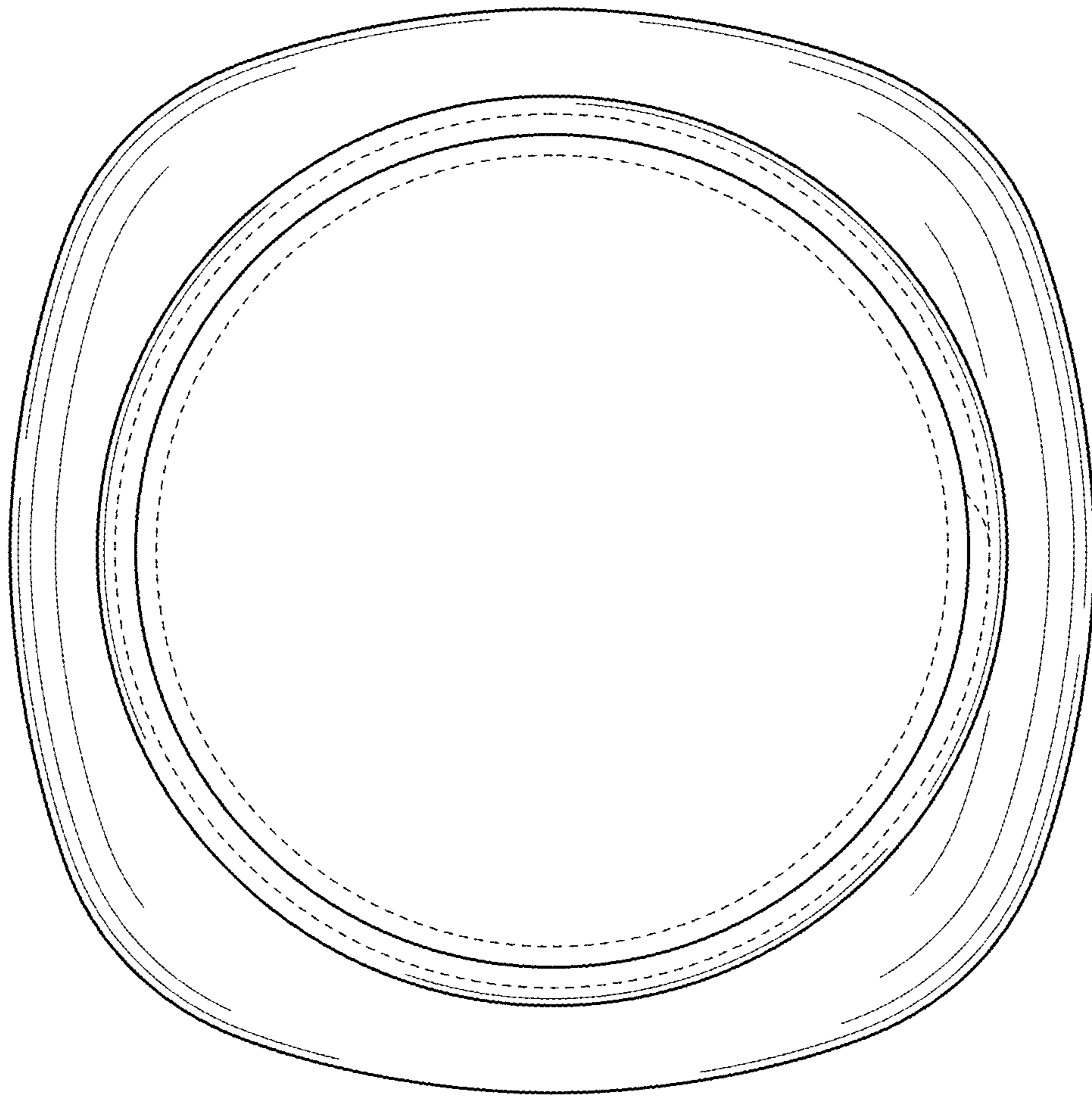


FIG. 6

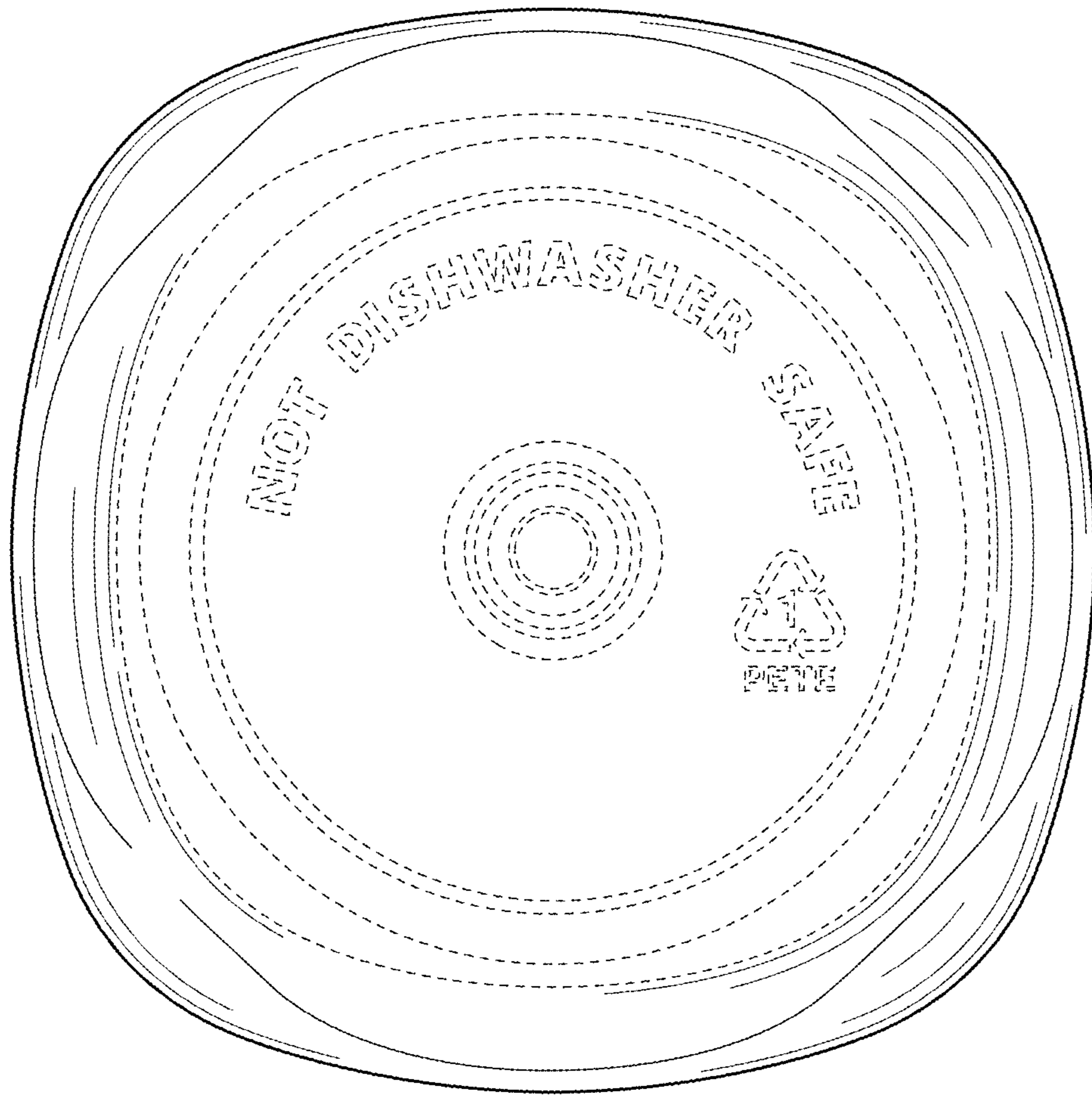


FIG. 7

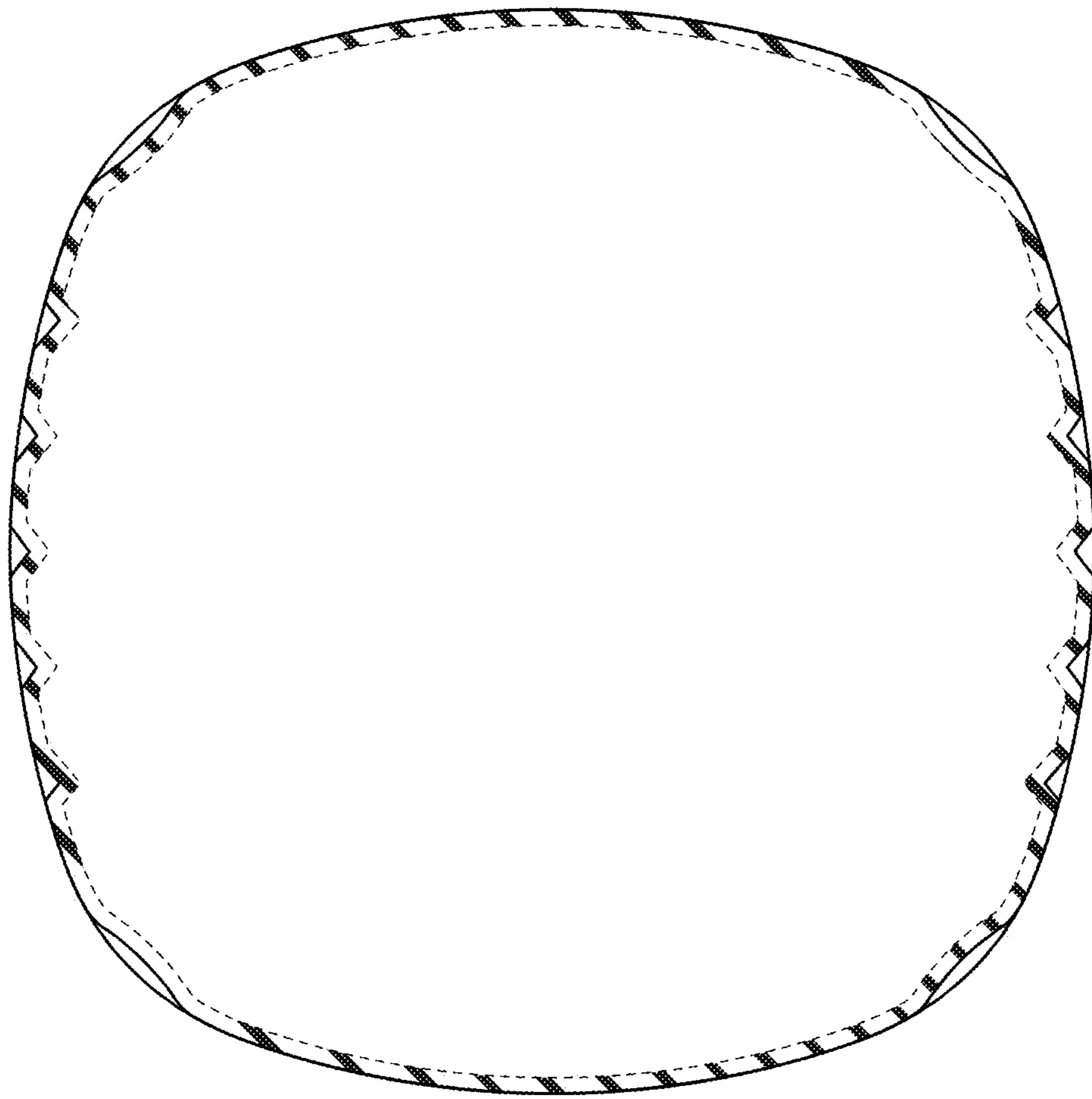


FIG. 8

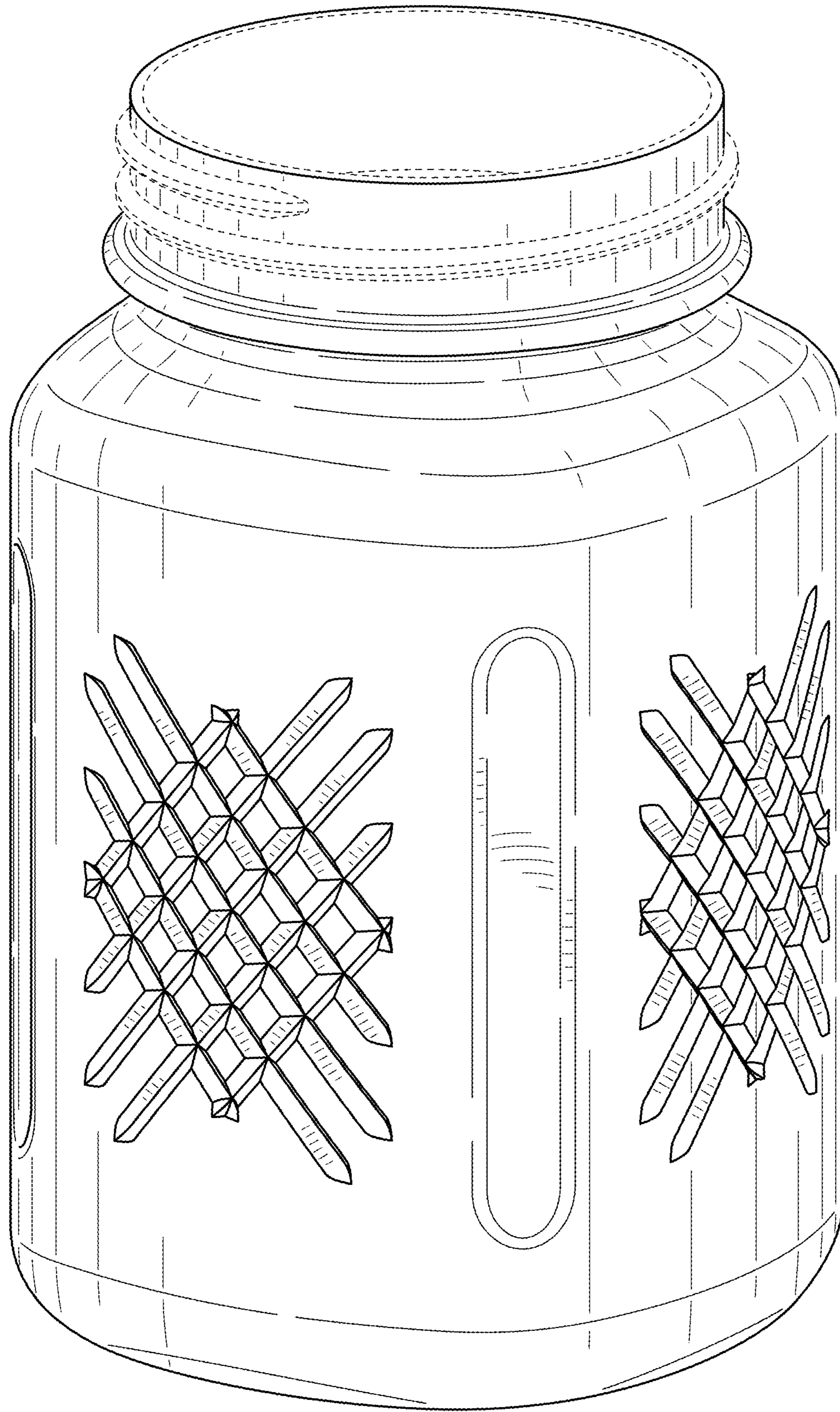


FIG. 9

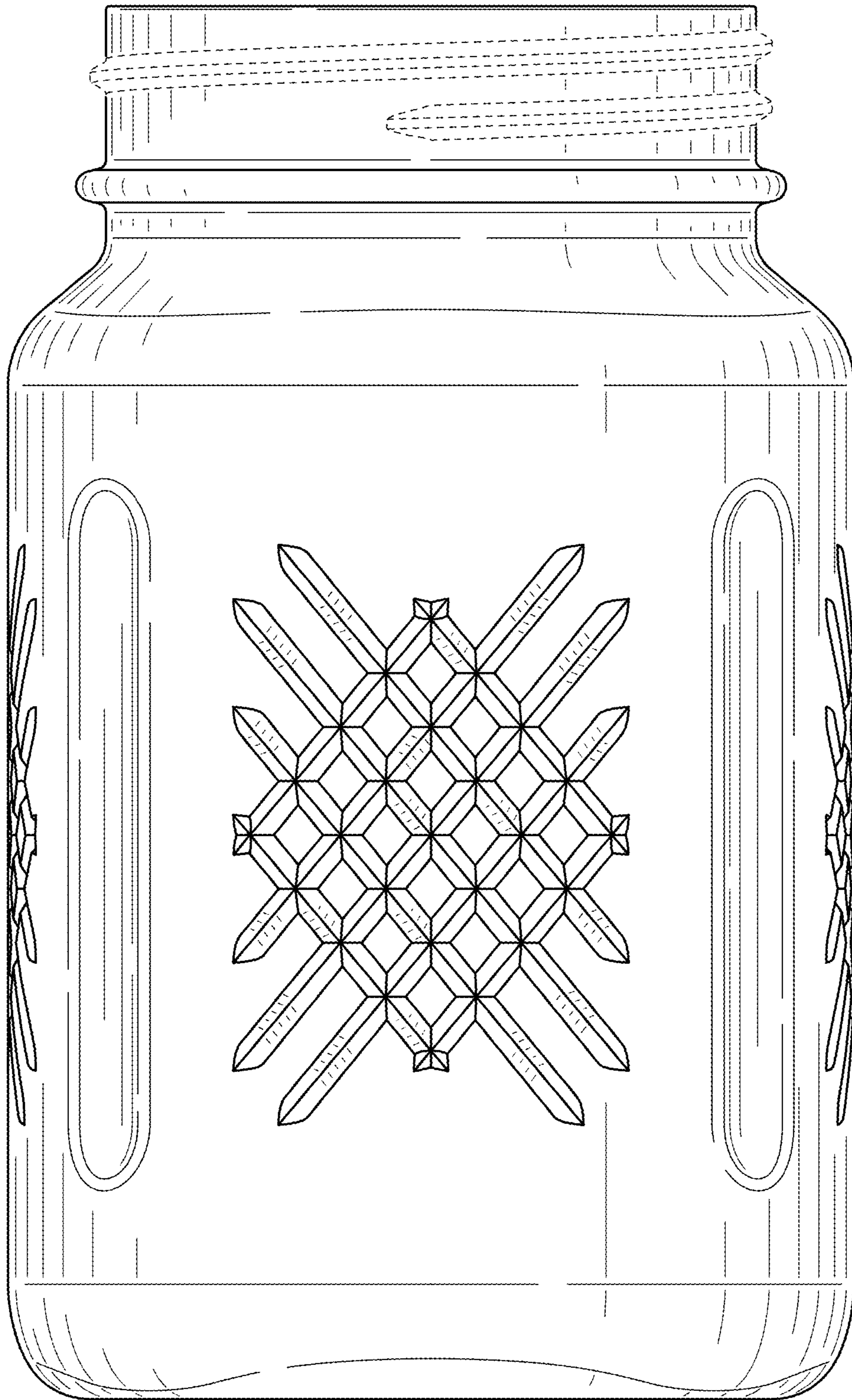


FIG. 10

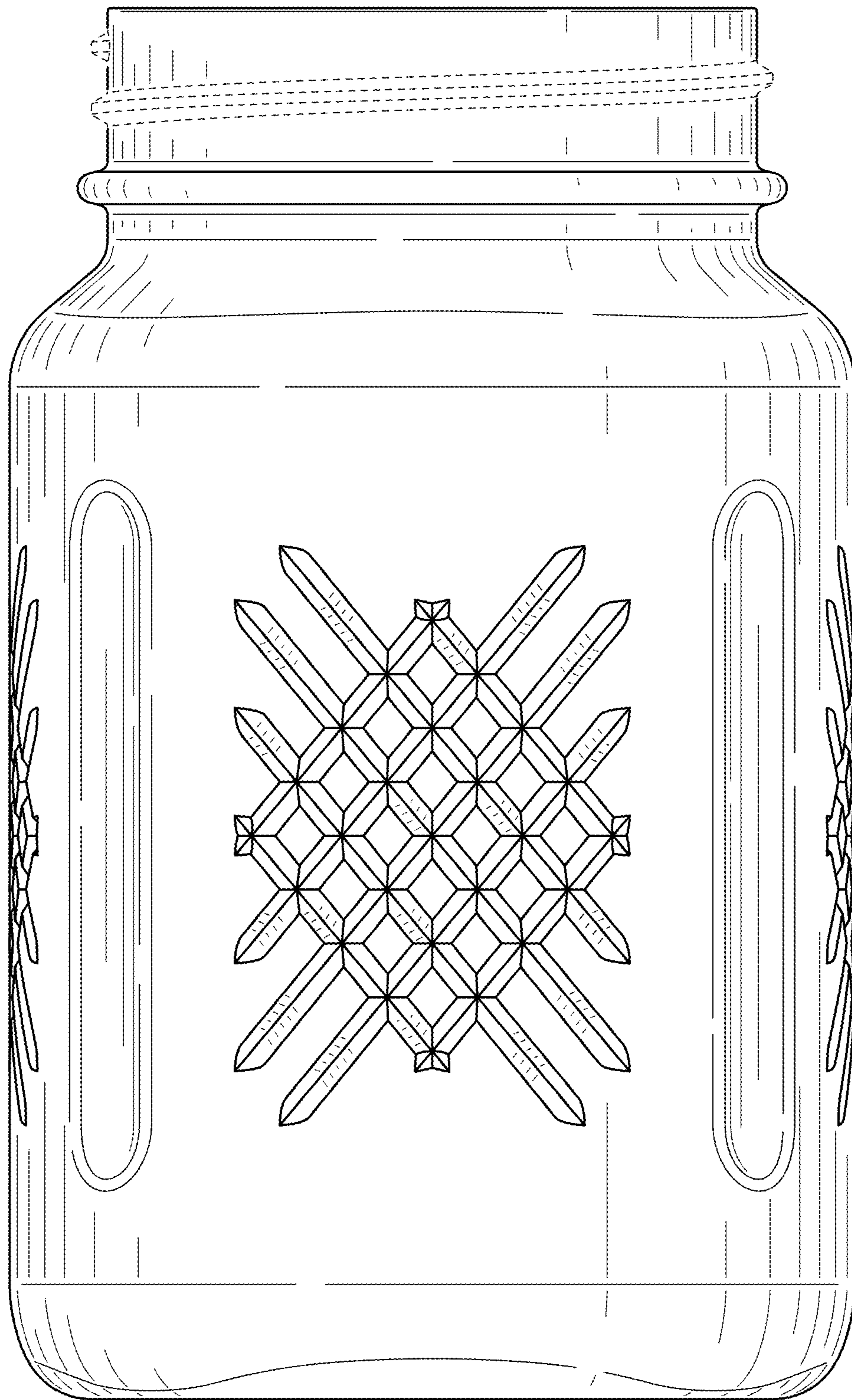


FIG. 11

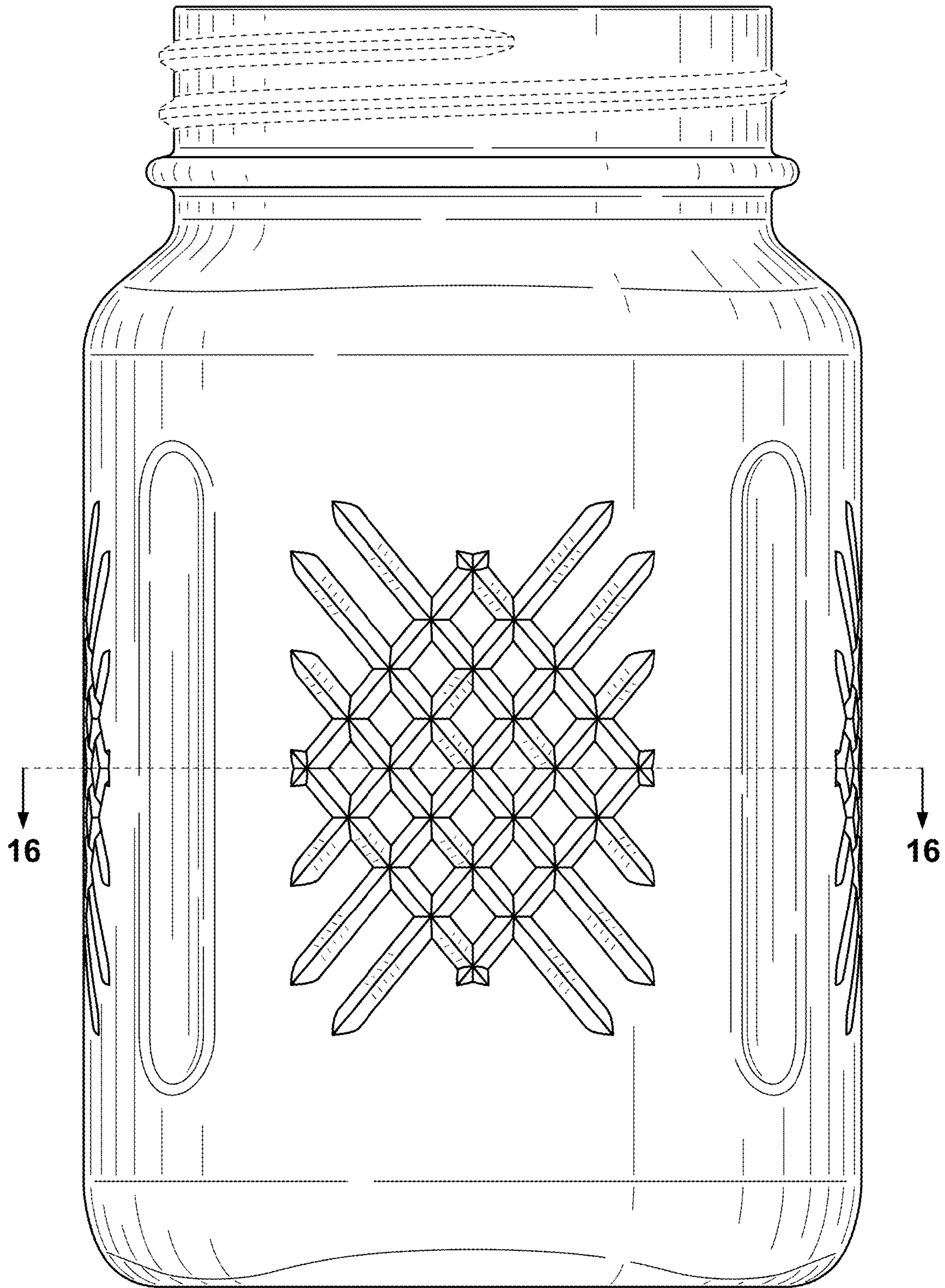


FIG. 12

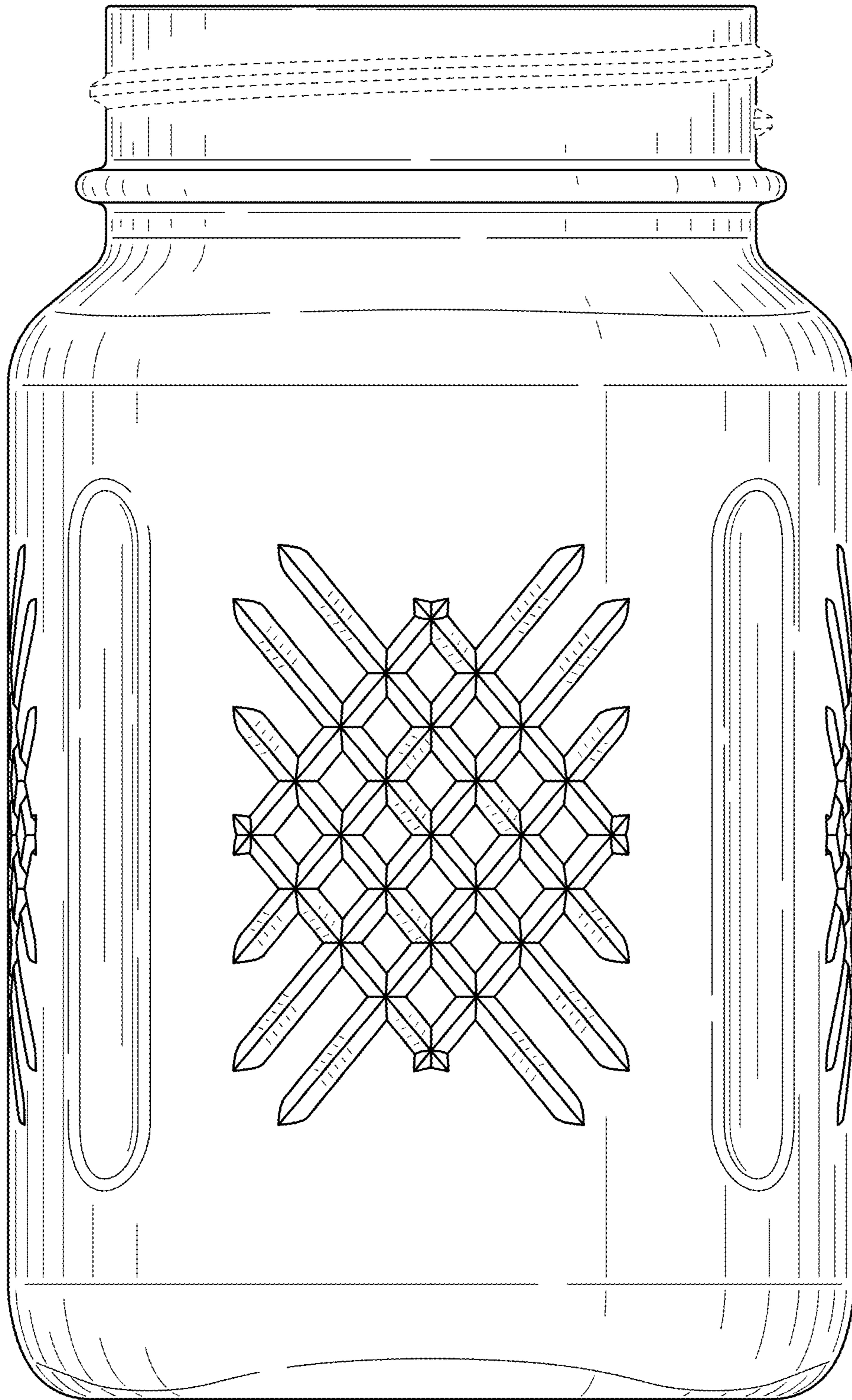


FIG. 13

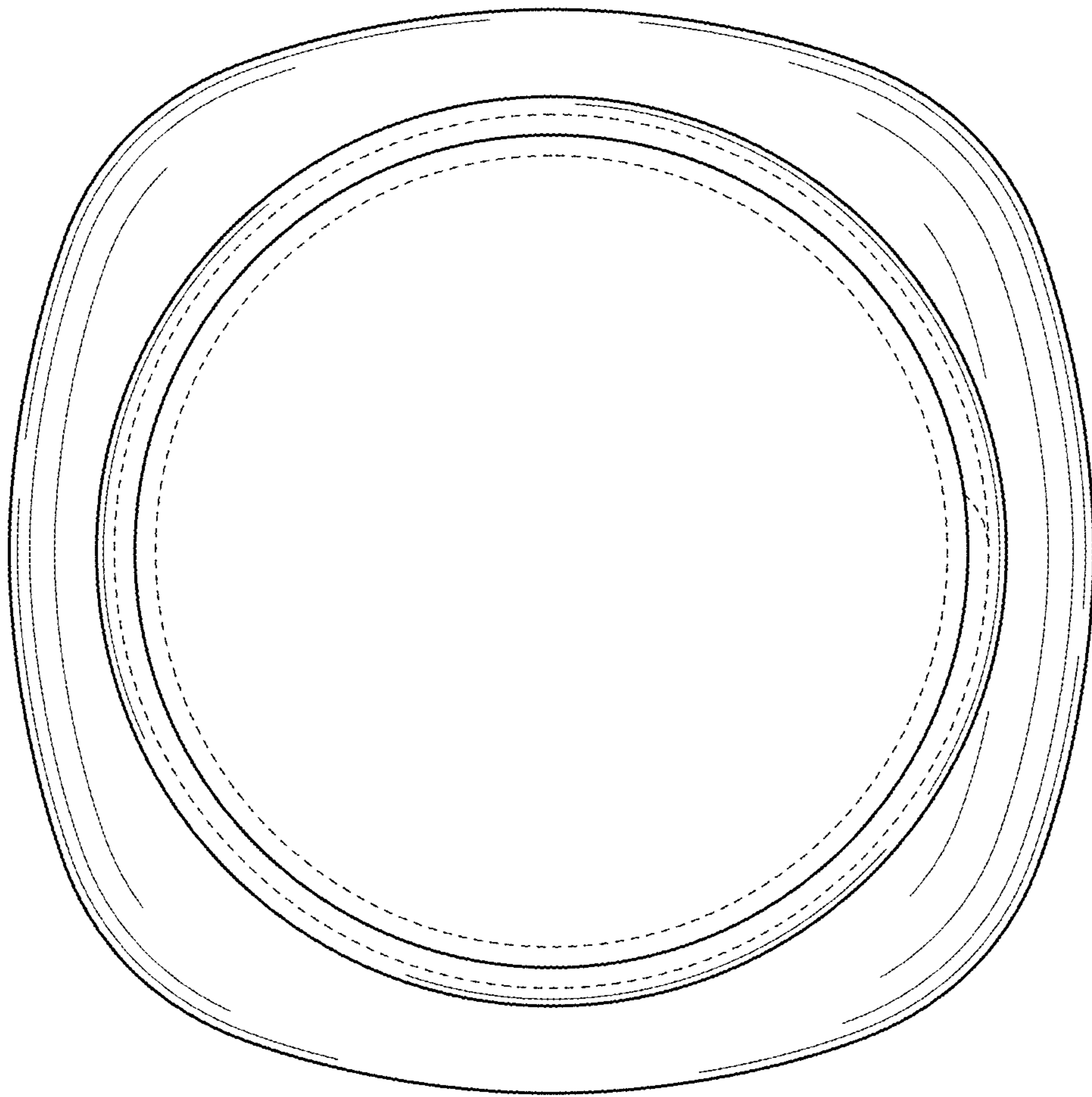


FIG. 14

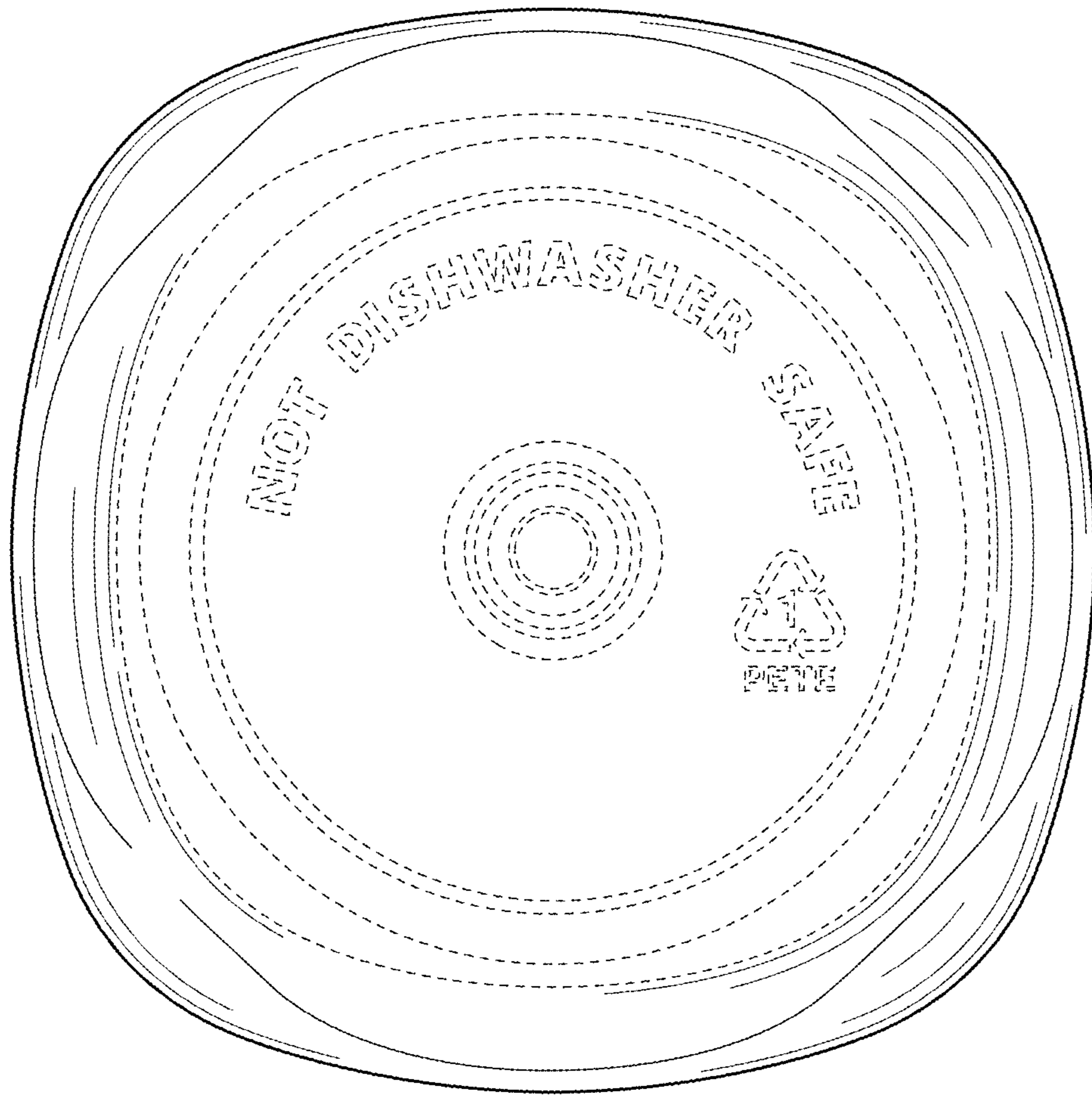


FIG. 15

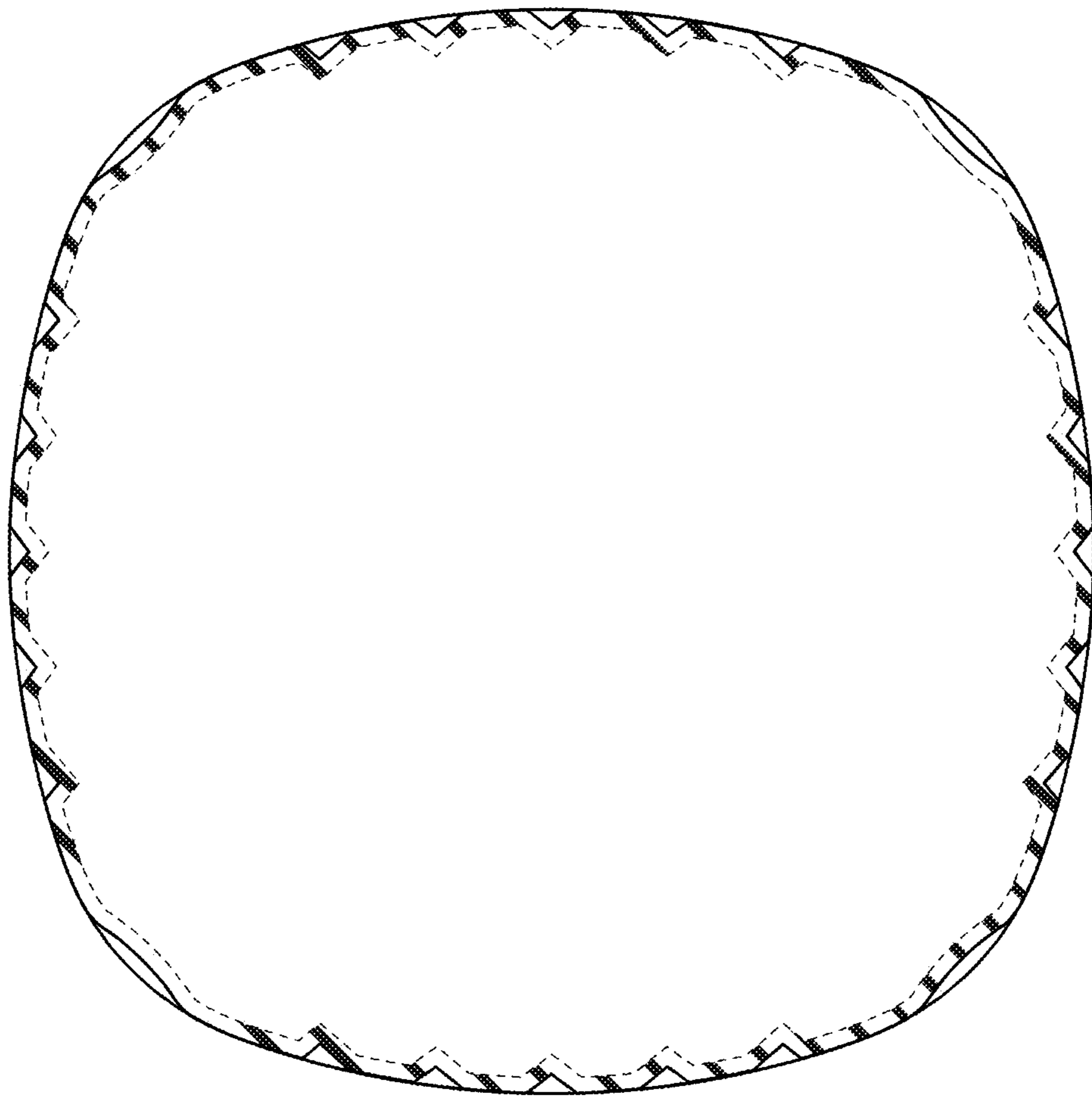


FIG. 16