



US00D894004S

(12) **United States Design Patent**  
**Aboabdo**

(10) **Patent No.:** **US D894,004 S**

(45) **Date of Patent:** **\*\* Aug. 25, 2020**

(54) **DISPENSER**

(71) Applicant: **Chubby Gorilla, Inc.**, Fullerton, CA (US)

(72) Inventor: **Ibrahiem H. Aboabdo**, Yorba Linda, CA (US)

(73) Assignee: **Chubby Gorilla, Inc.**, Fullerton, CA (US)

(\*\*) Term: **15 Years**

(21) Appl. No.: **29/715,985**

(22) Filed: **Dec. 5, 2019**

(51) **LOC (12) Cl.** ..... **09-01**

(52) **U.S. Cl.**

USPC ..... **D9/503**; D9/443; D9/452; D9/454

(58) **Field of Classification Search**

USPC ..... D9/434–435, 443, 444–445, 452, 454, D9/500, 503–504, 516, 529, 549, 558, D9/682, 690–691, 715, 719, 723–724; D3/203.2; D24/224; D27/183, 186, D27/189–191; D28/76, 88

CPC ..... B65D 1/00; B65D 1/02; B65D 1/0223; B65D 23/00; B65D 51/32; B65D 2501/00; B65D 2501/0009

See application file for complete search history.

(56) **References Cited**

**U.S. PATENT DOCUMENTS**

2,968,826 A \* 1/1961 Leshin ..... A45D 34/041  
401/214

3,242,522 A \* 3/1966 Jass ..... A45D 34/041  
401/213

D225,398 S \* 12/1972 David ..... D24/224

(Continued)

**OTHER PUBLICATIONS**

U.S. Appl. No. 29/665,474, Bottle, filed Oct. 3, 2018.

(Continued)

*Primary Examiner* — Dana Meyrow

(74) *Attorney, Agent, or Firm* — Knobbe, Martens, Olson & Bear, LLP

(57) **CLAIM**

The ornamental design for a dispenser, as shown and described herein.

**DESCRIPTION**

FIG. 1 is a top perspective view of a first embodiment of a dispenser embodying the new design.

FIG. 2 is a bottom perspective view thereof.

FIG. 3 is a front view thereof.

FIG. 4 is a rear view thereof.

FIG. 5 is a first side view thereof.

FIG. 6 is a second side view thereof.

FIG. 7 is a top view thereof.

FIG. 8 is a bottom view thereof.

FIG. 9 is an exploded perspective view thereof.

FIG. 10 is an exploded front view thereof.

FIG. 11 is a top perspective view of a second embodiment of a dispenser embodying the new design.

FIG. 12 is a bottom perspective view thereof.

FIG. 13 is a front view thereof.

FIG. 14 is a rear view thereof.

FIG. 15 is a first side view thereof.

FIG. 16 is a second side view thereof.

FIG. 17 is a top view thereof.

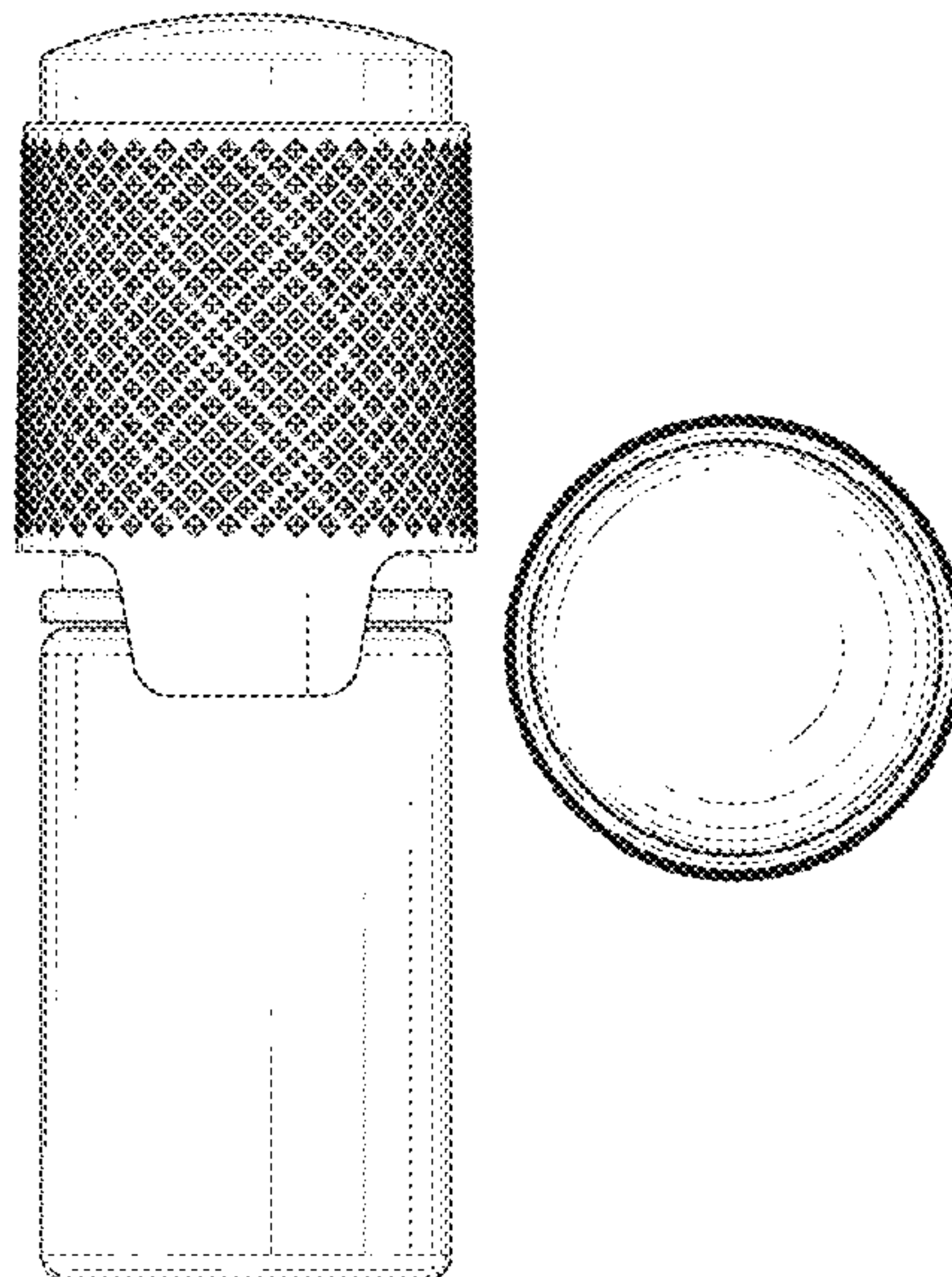
FIG. 18 is a bottom view thereof.

FIG. 19 is an exploded perspective view thereof; and,

FIG. 20 is an exploded front view thereof.

The broken lines in the drawings illustrate the portions of the dispenser that form no part of the claimed design. The second embodiment shows a symbolic break in the height of the dispenser. The break lines and any portion of the article between those break lines forms no part of the claim.

**1 Claim, 14 Drawing Sheets**



(56)

**References Cited**

U.S. PATENT DOCUMENTS

4,221,495 A \* 9/1980 Braun ..... A45D 34/041  
401/213  
D328,244 S \* 7/1992 Hamilton ..... D24/110  
D562,137 S \* 2/2008 Florio ..... D28/89  
D590,661 S \* 4/2009 Kitamura ..... D7/510  
D636,683 S \* 4/2011 Floyd ..... D9/688  
D779,325 S \* 2/2017 Vigoureux ..... D7/601  
D823,689 S \* 7/2018 Durand ..... D9/503  
D826,068 S \* 8/2018 Aboabdo ..... D9/724  
D827,450 S \* 9/2018 Loukov ..... D9/726  
D850,913 S \* 6/2019 Ke ..... D9/452  
D850,930 S \* 6/2019 Wang ..... D9/724  
D854,929 S \* 7/2019 Bacher ..... A01G 31/02  
D9/436  
D878,215 S \* 3/2020 Aboabdo ..... D9/723

OTHER PUBLICATIONS

U.S. Appl. No. 29/661,407, Bottle, filed Aug. 27, 2018.  
U.S. Appl. No. 29/680,038, Cap, filed Feb. 12, 2019.  
U.S. Appl. No. 29/716,198, Dispenser, filed Dec. 6, 2019.

\* cited by examiner

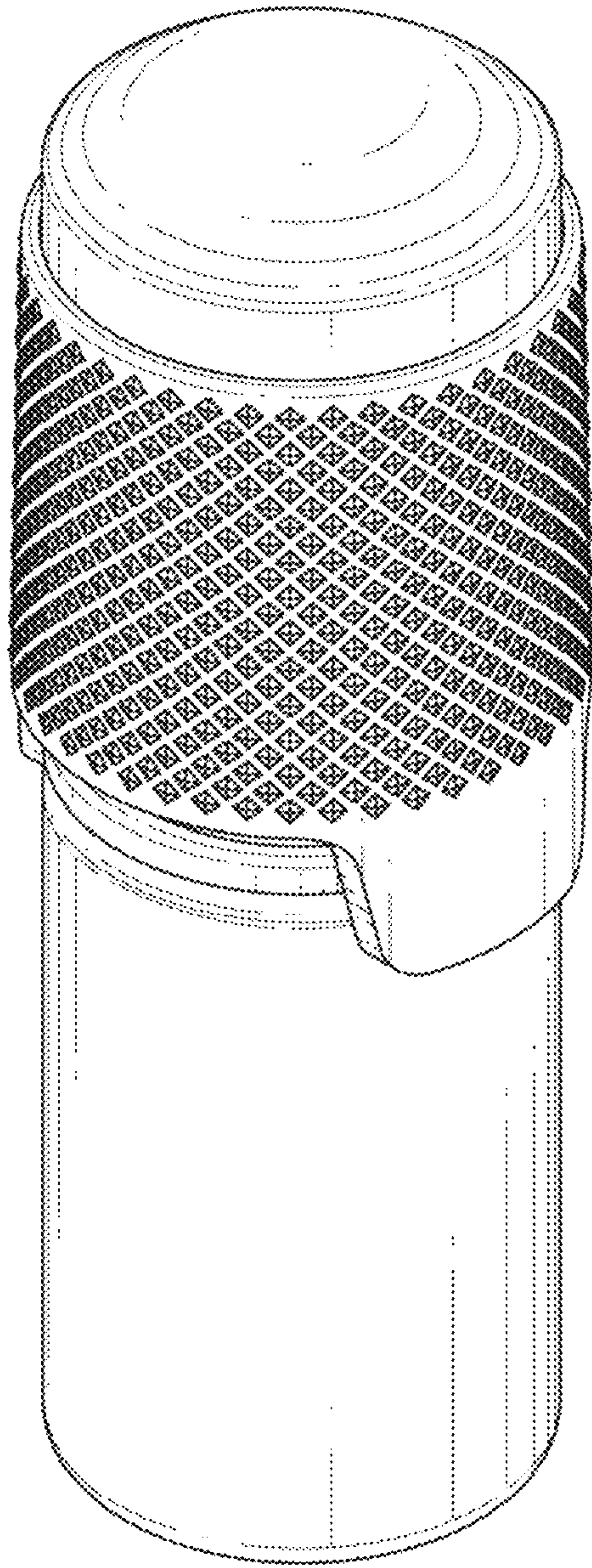


FIG. 1



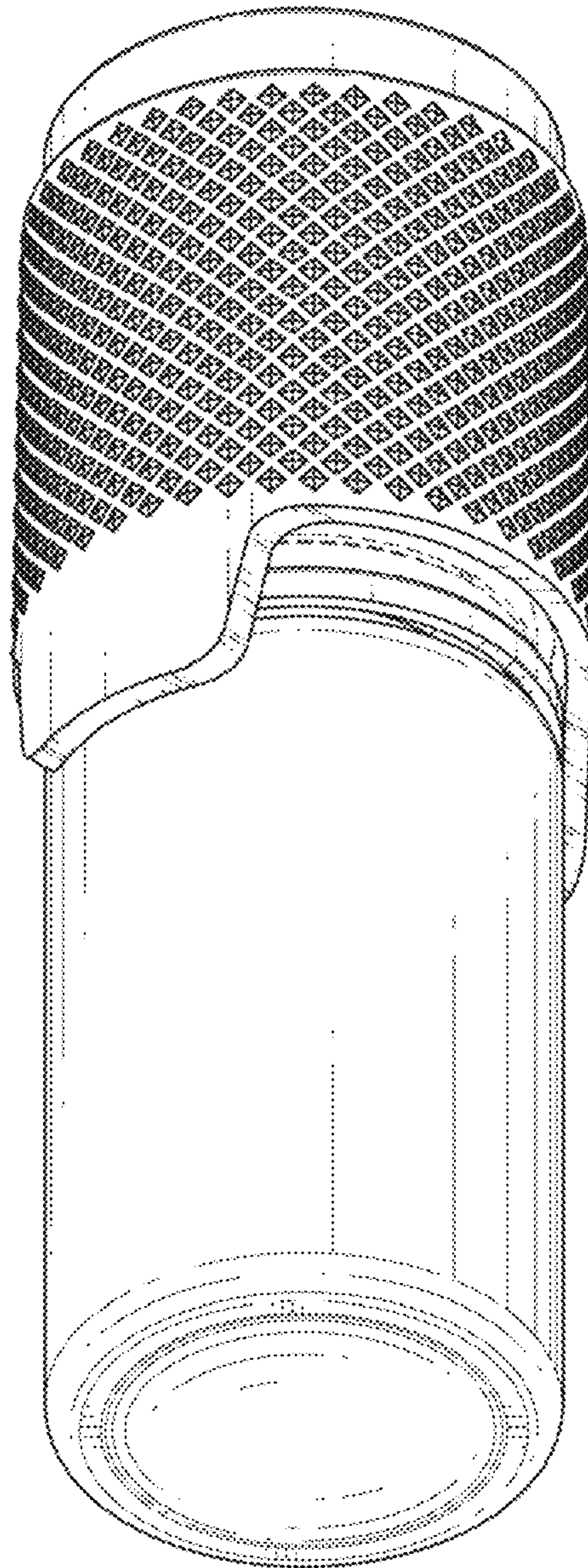


FIG. 2

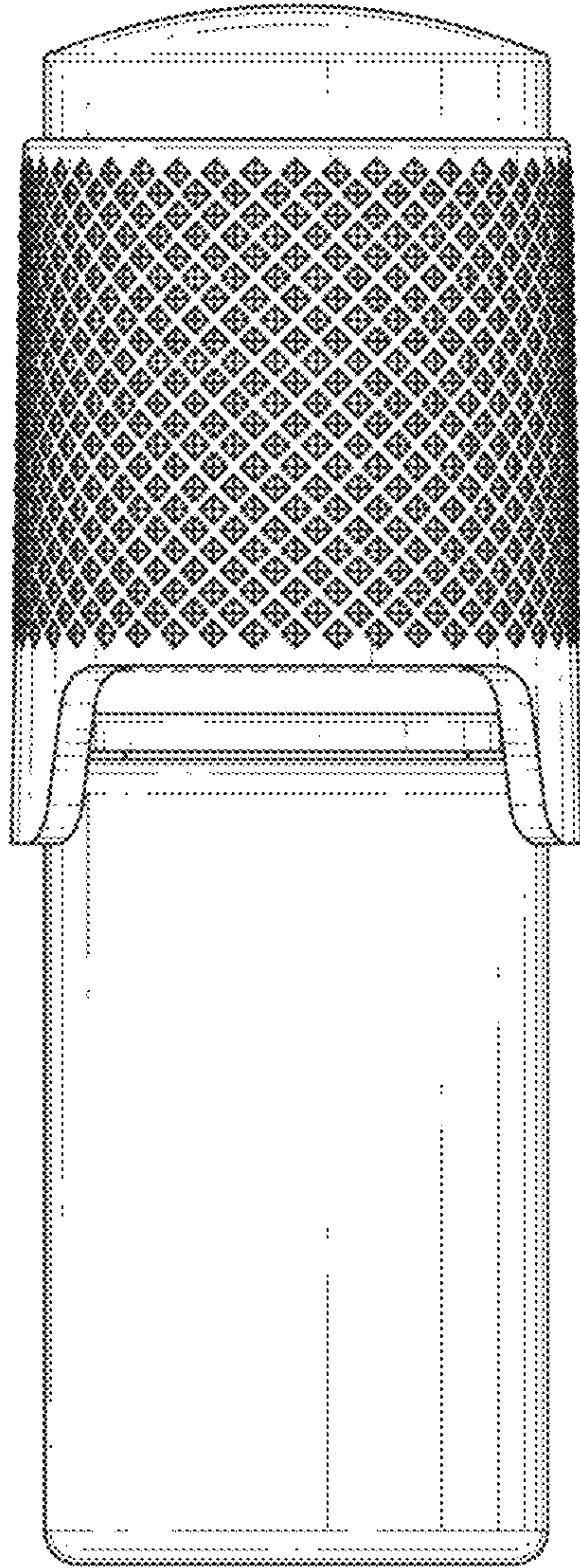


FIG. 3

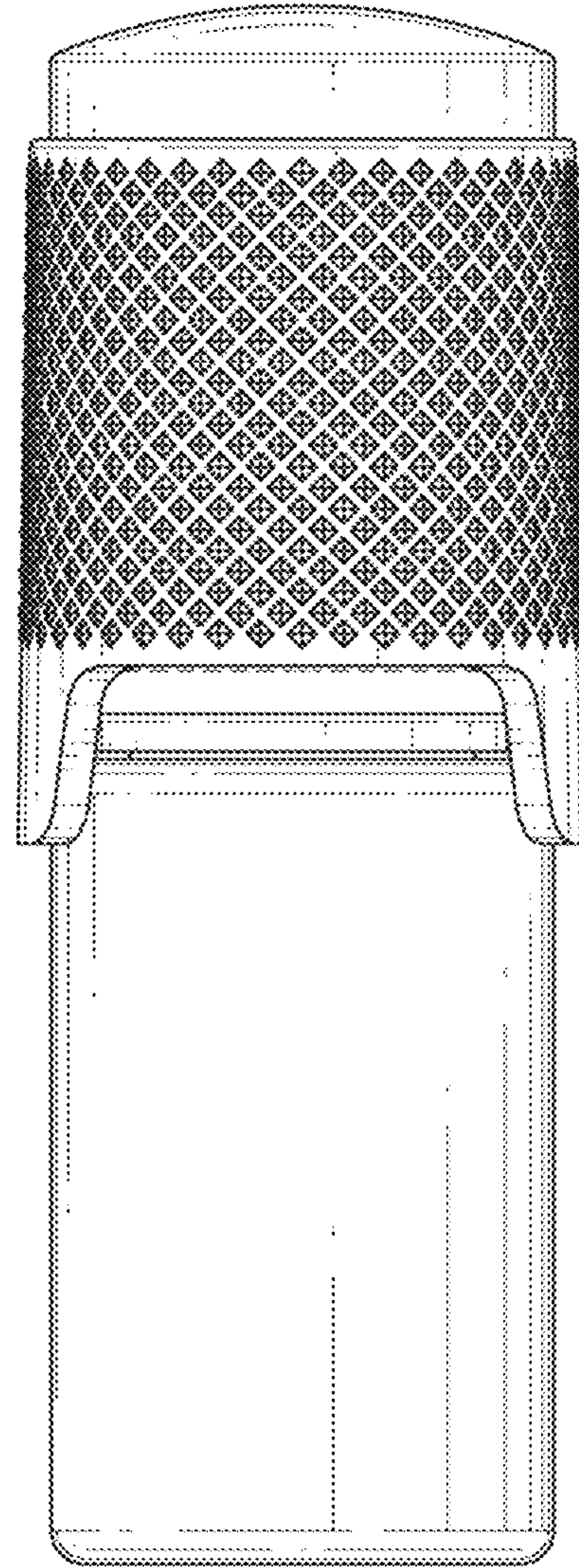
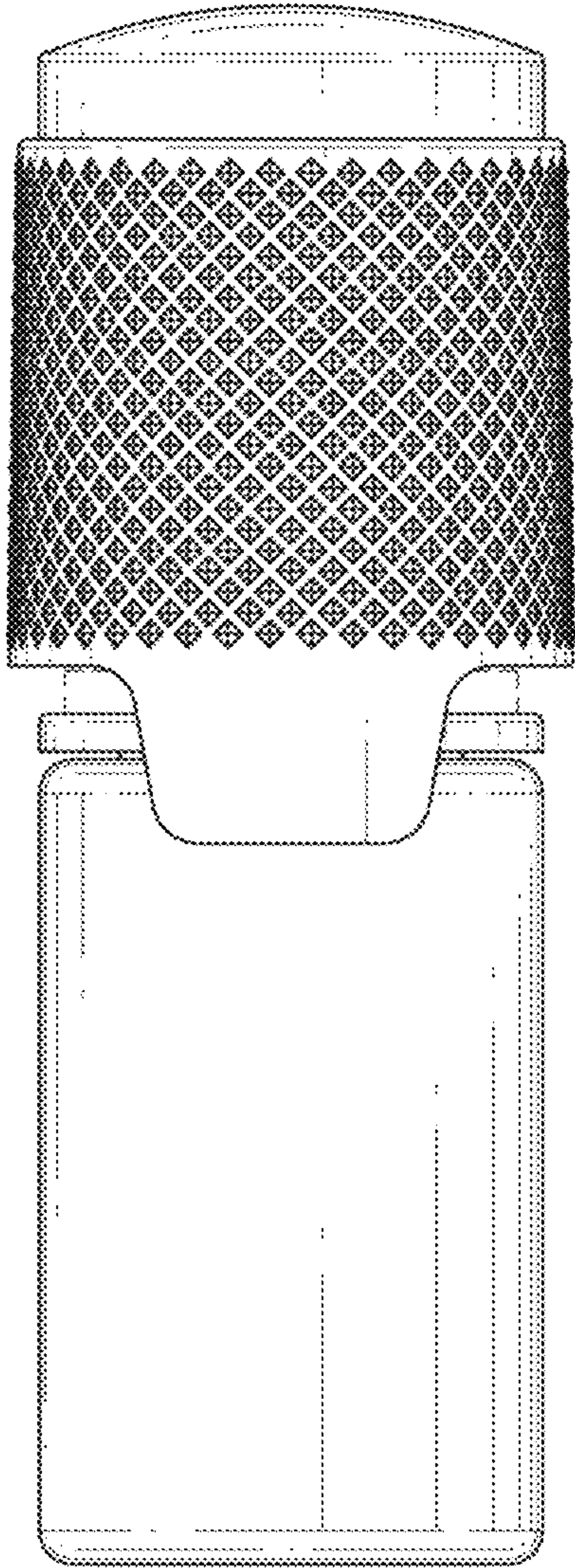
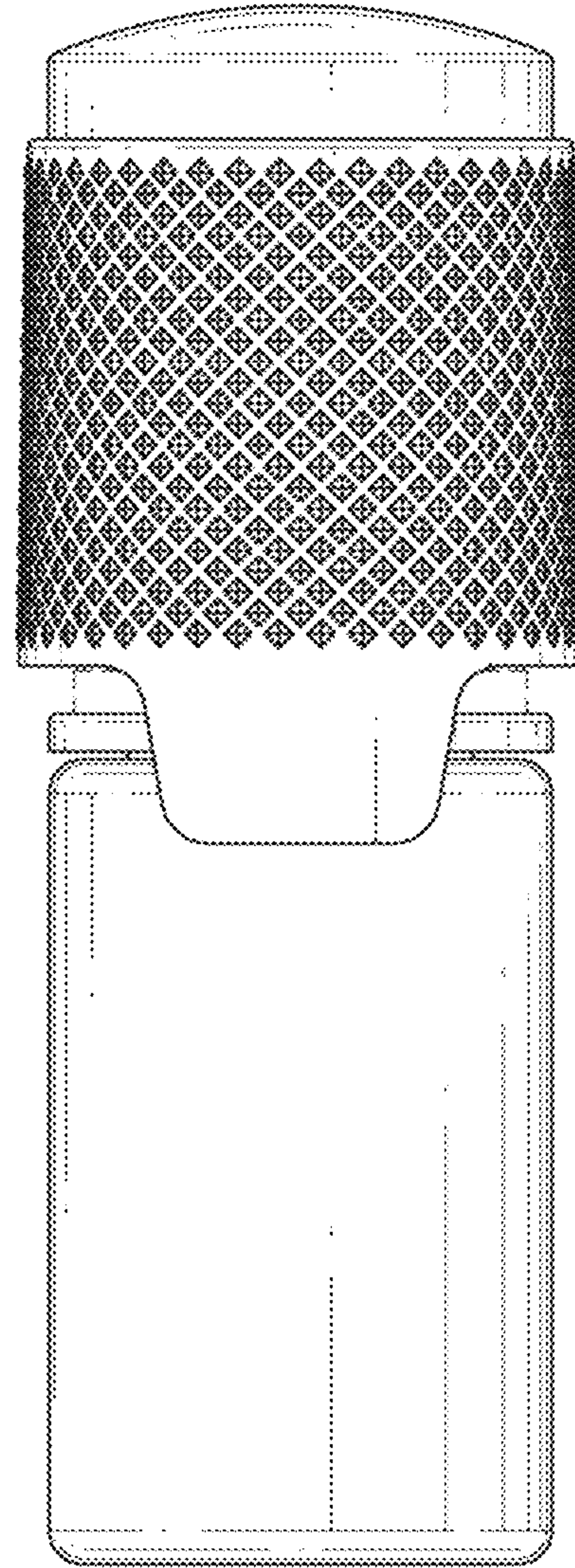


FIG. 4

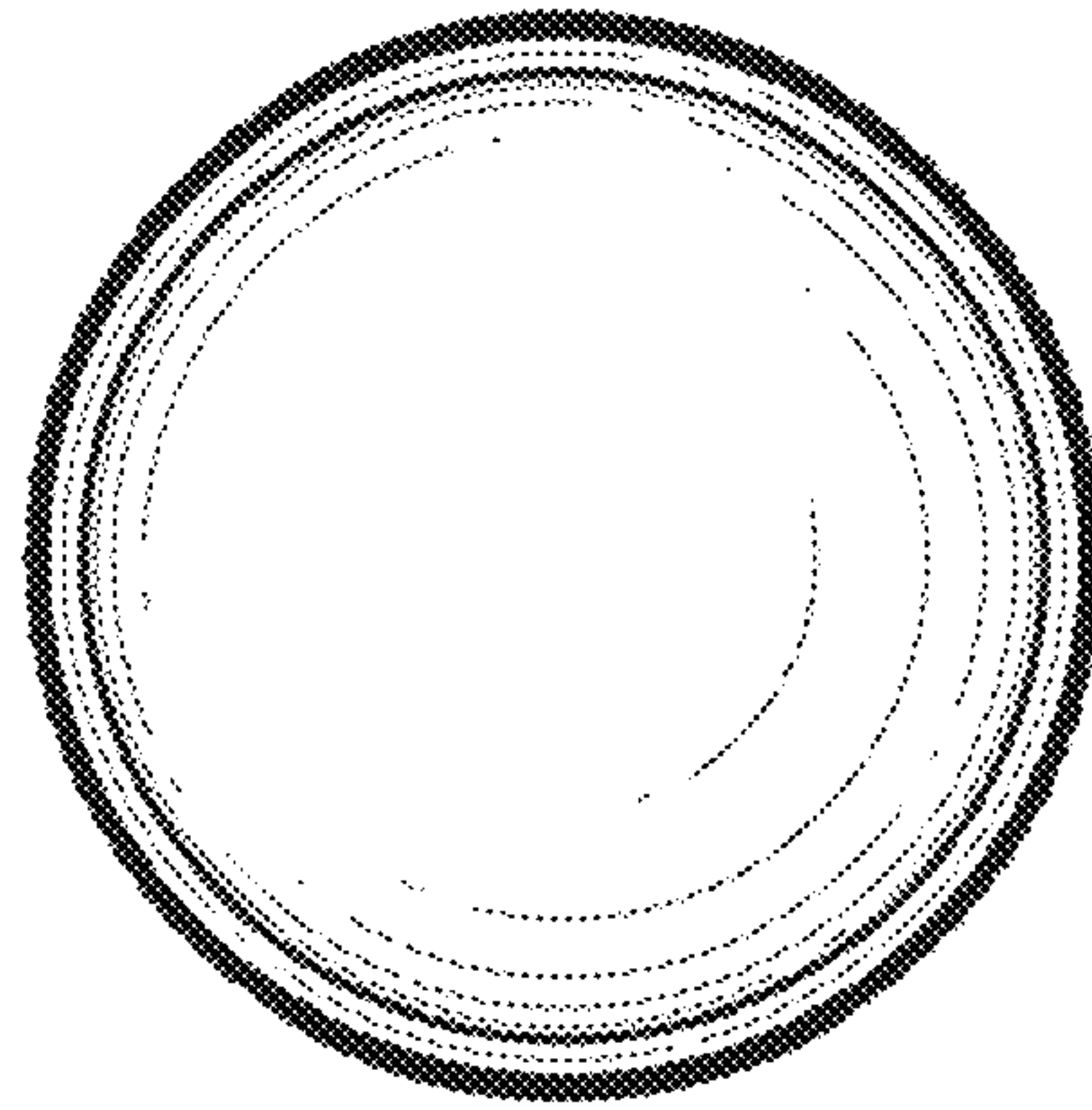




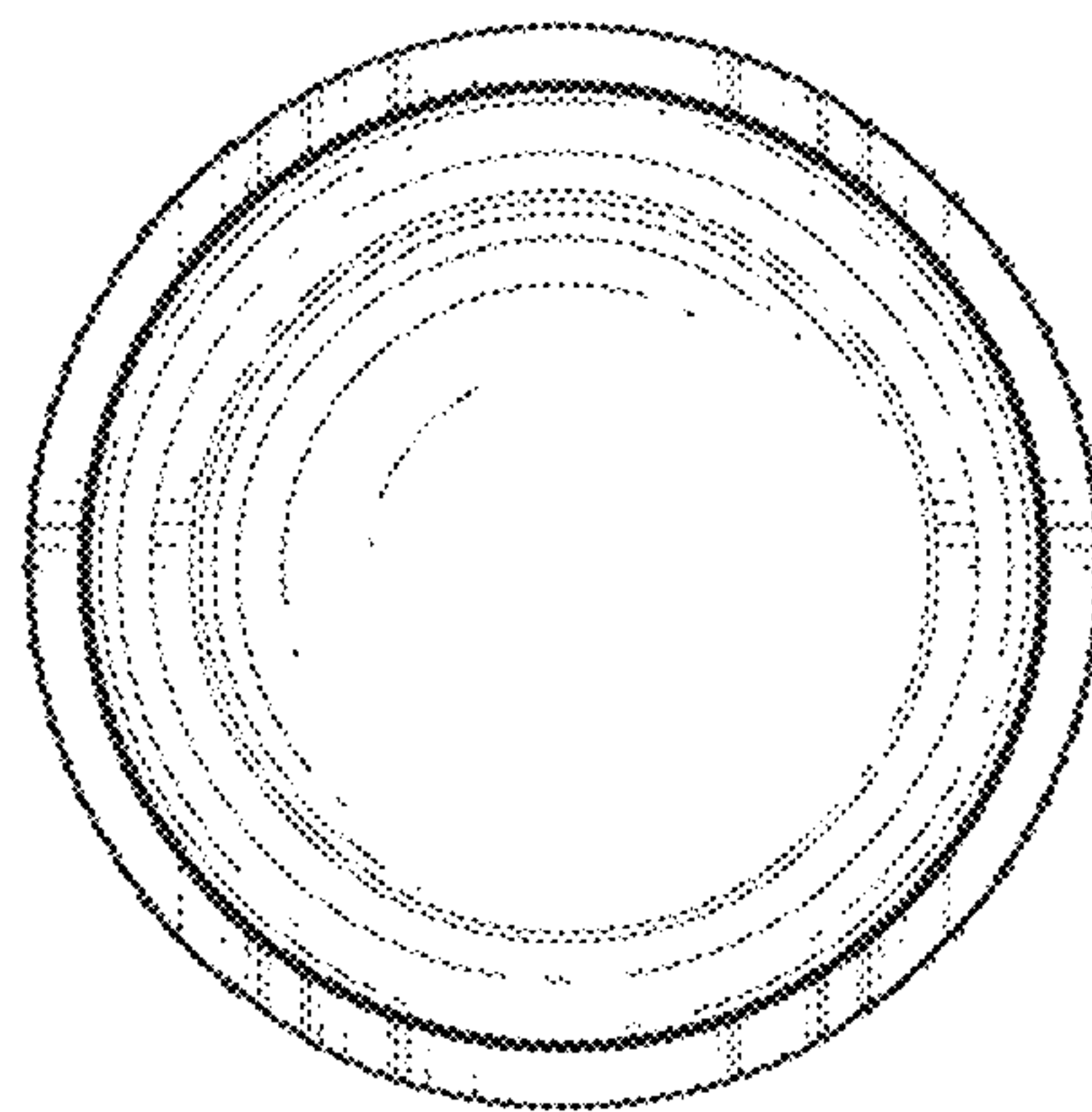
*FIG. 5*



*FIG. 6*



*FIG. 7*



*FIG. 8*



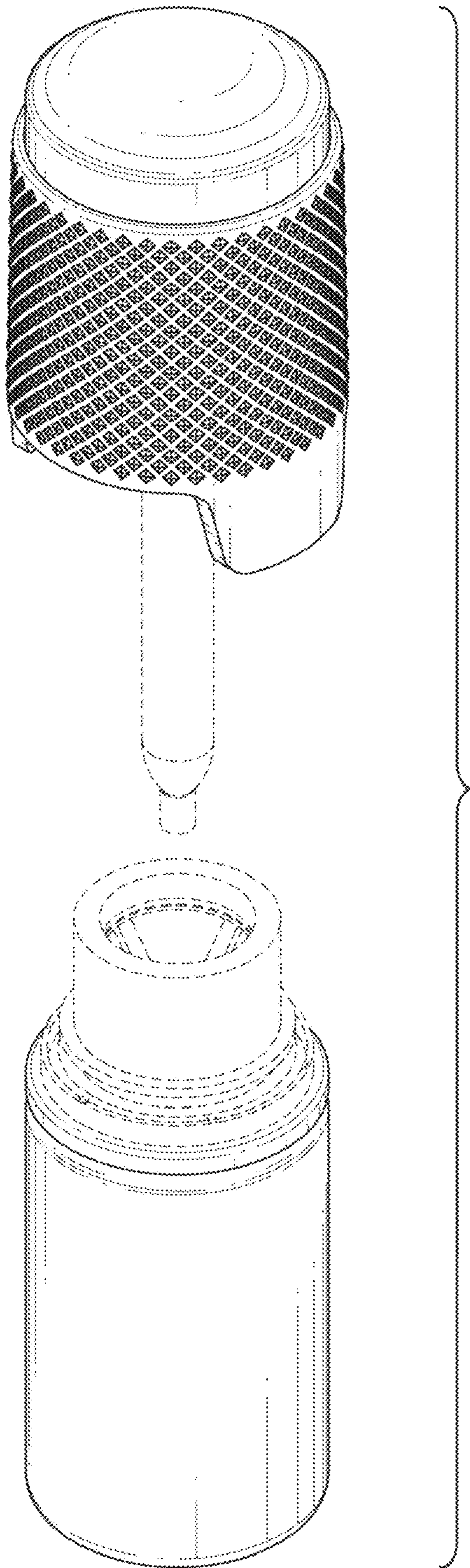


FIG. 9



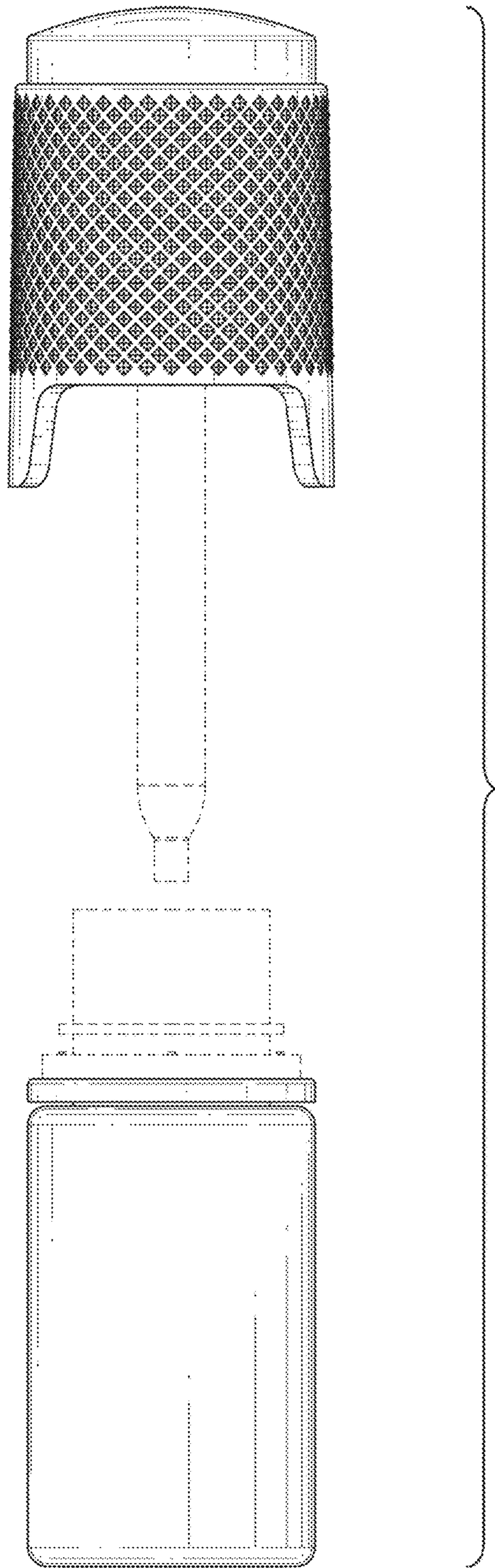
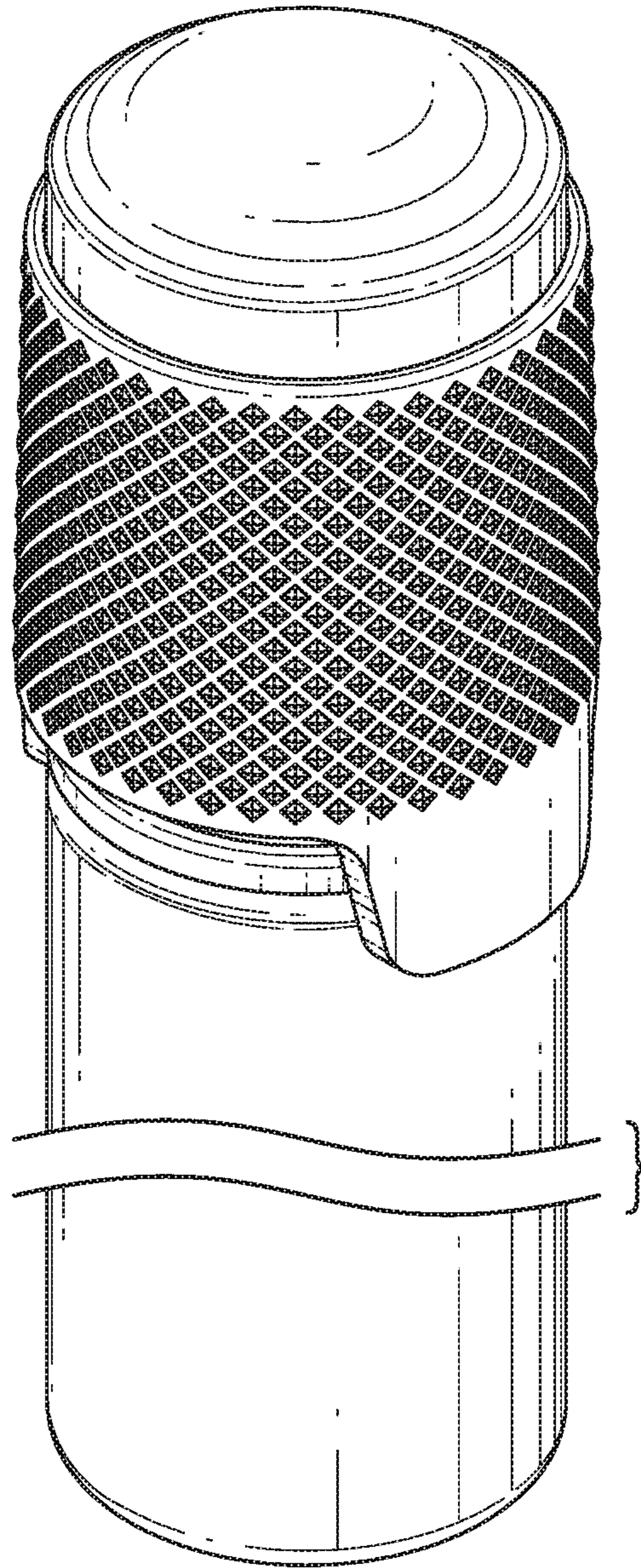


FIG. 10



*FIG. 11*



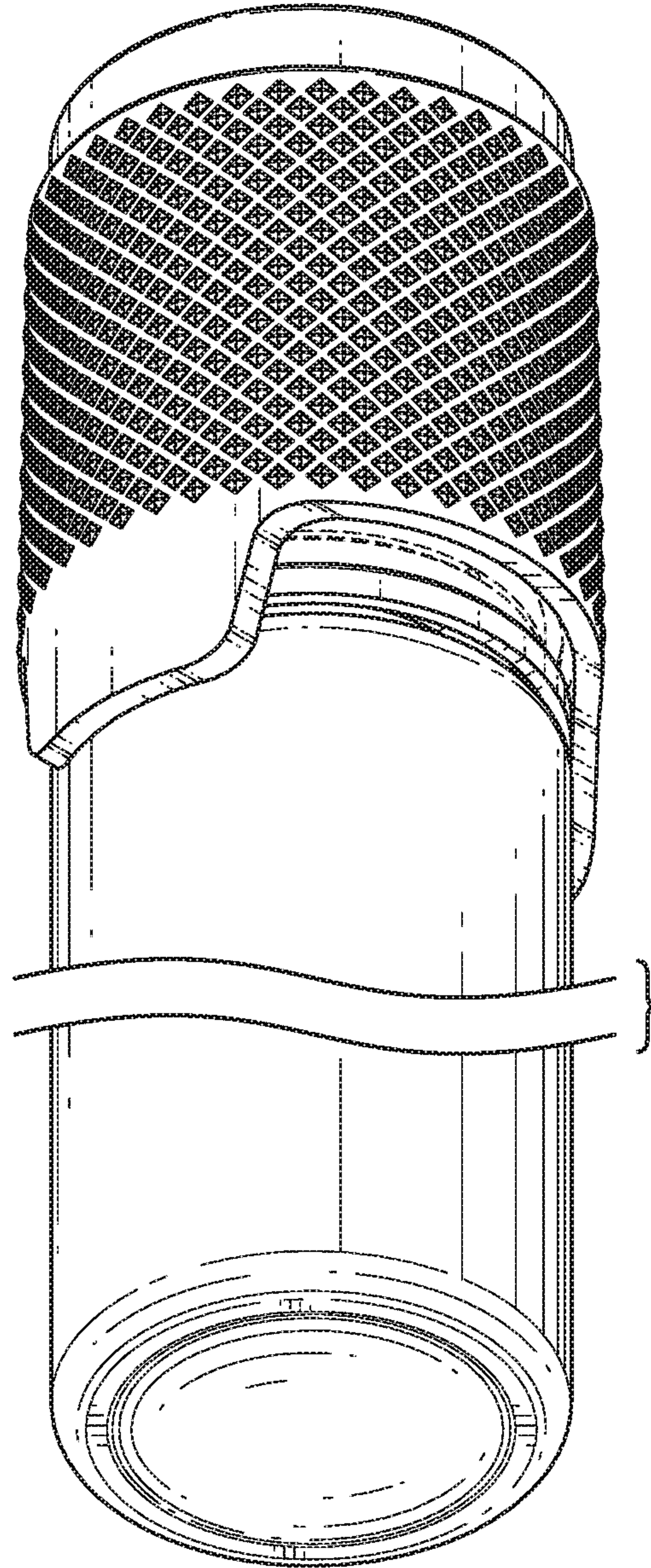
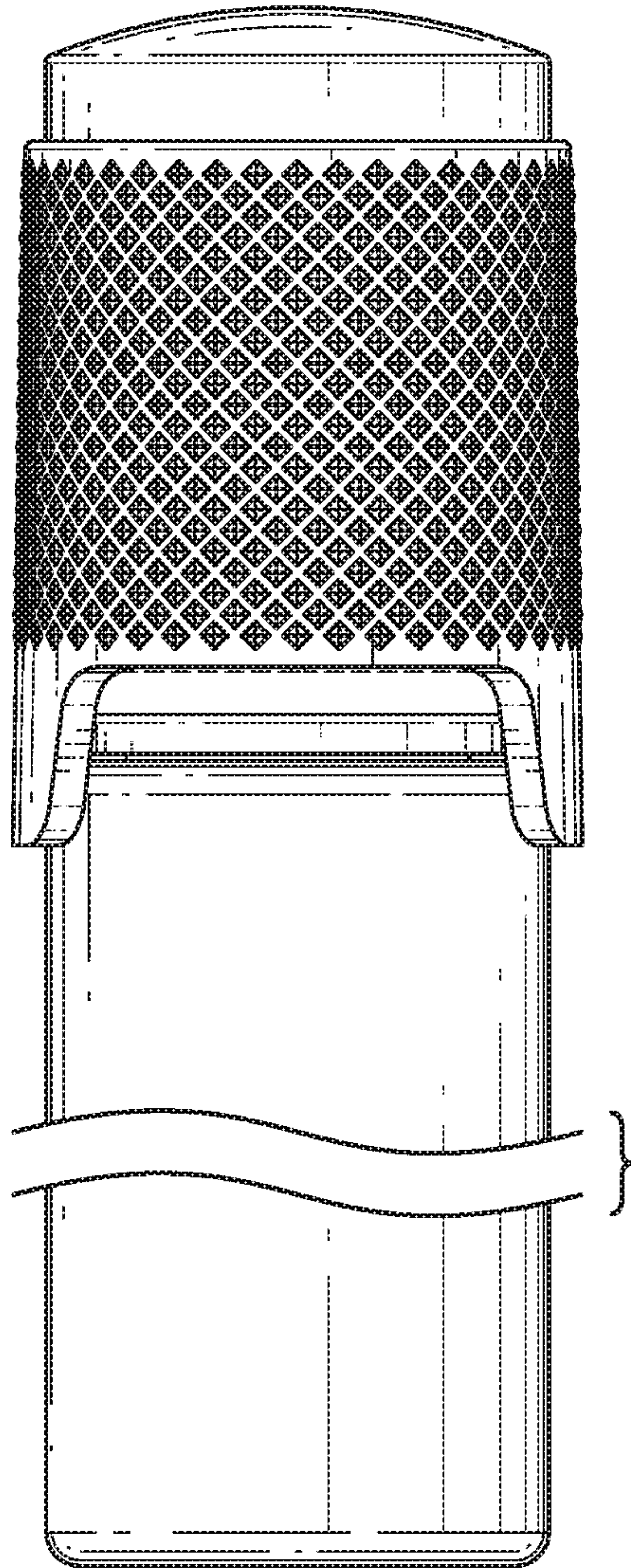
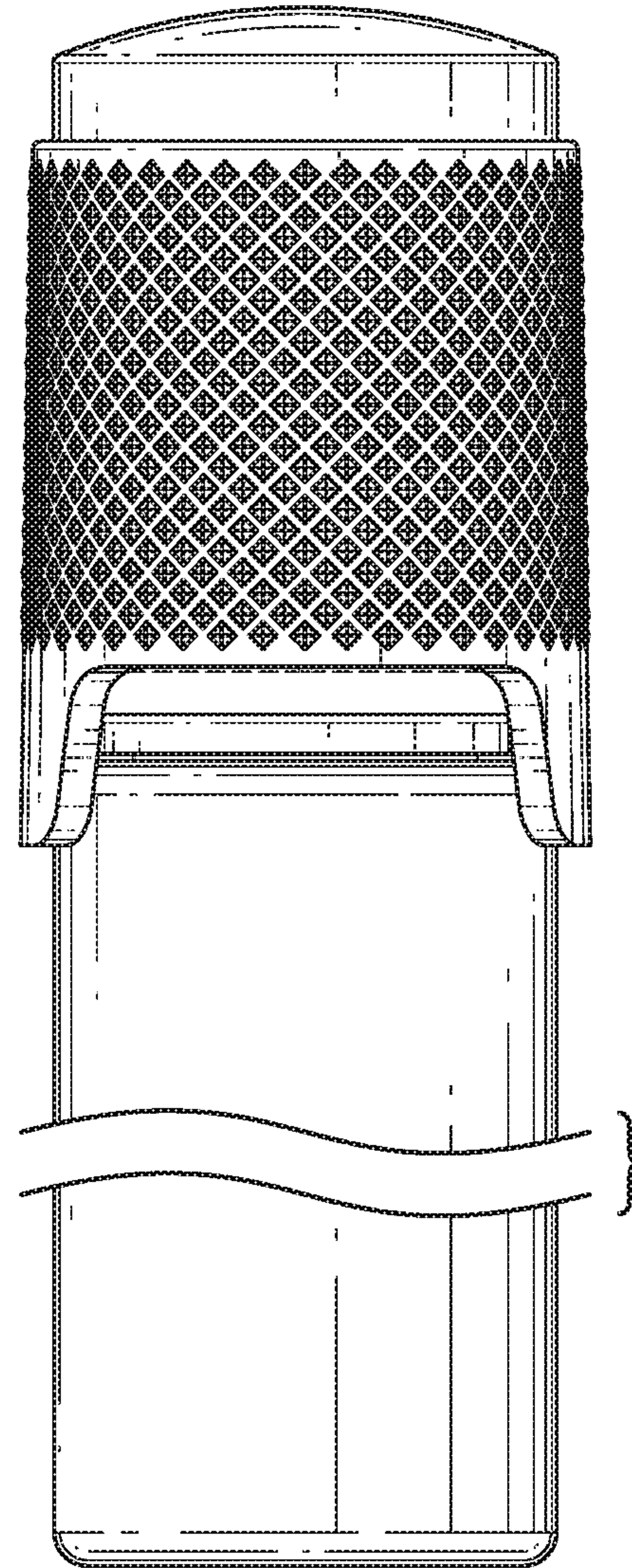


FIG. 12

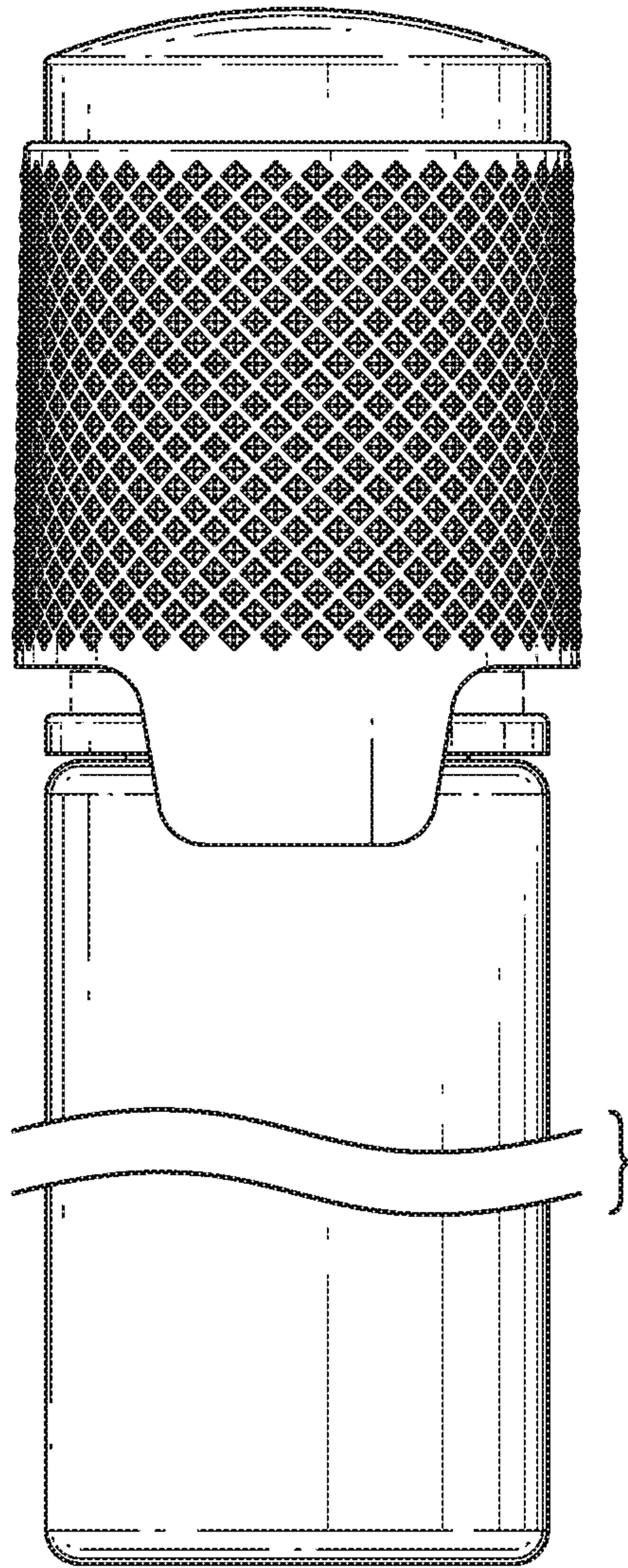


*FIG. 13*

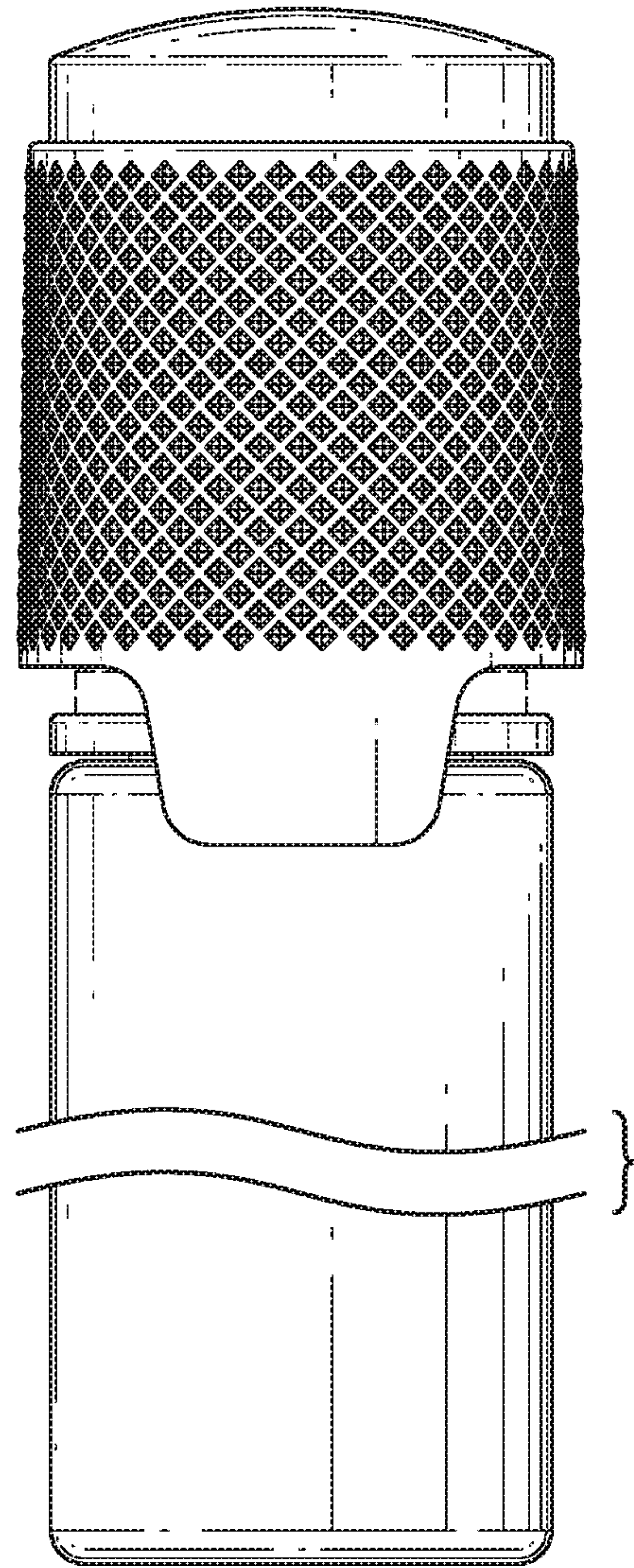


*FIG. 14*

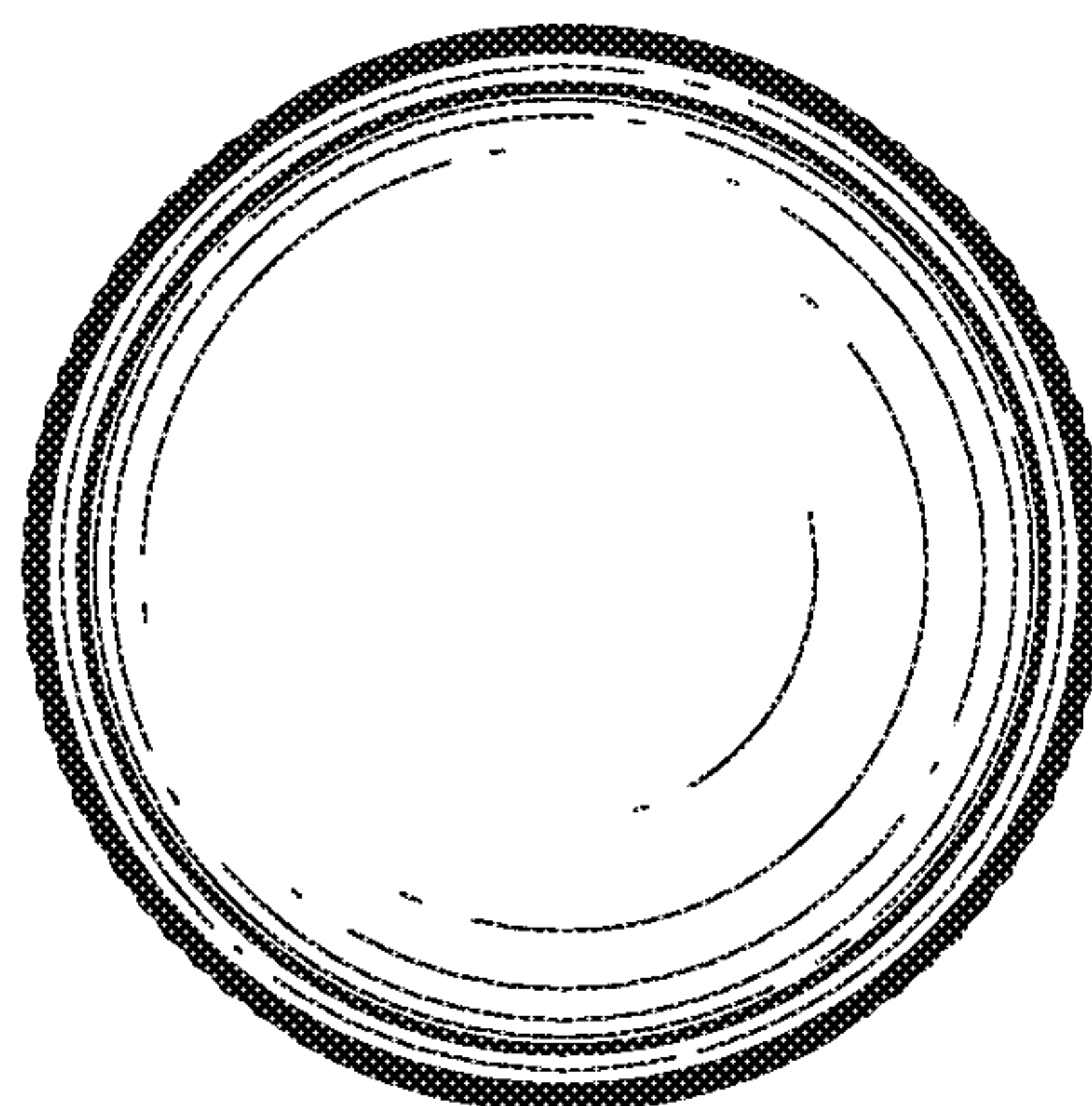




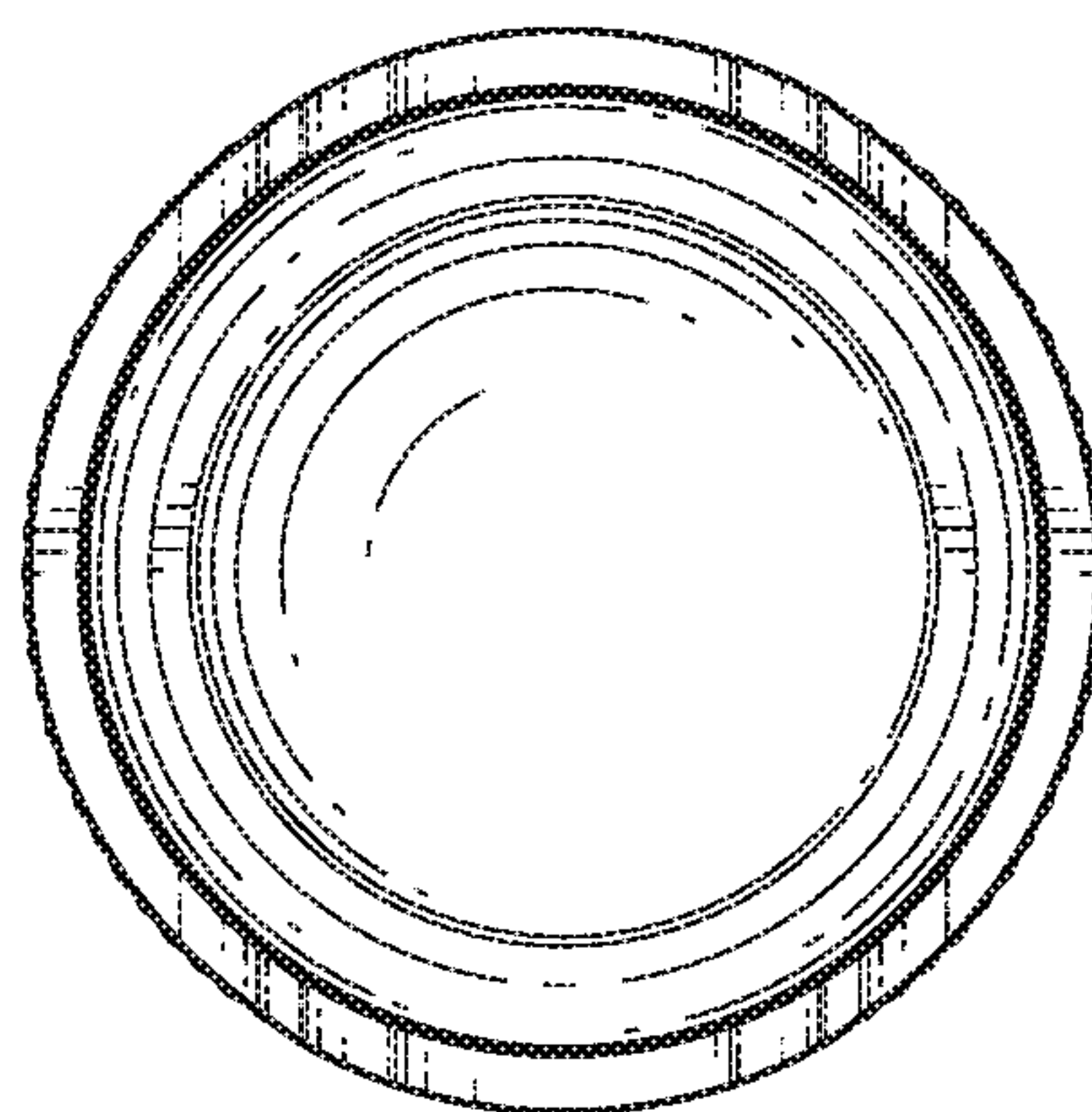
*FIG. 15*



*FIG. 16*



*FIG. 17*



*FIG. 18*



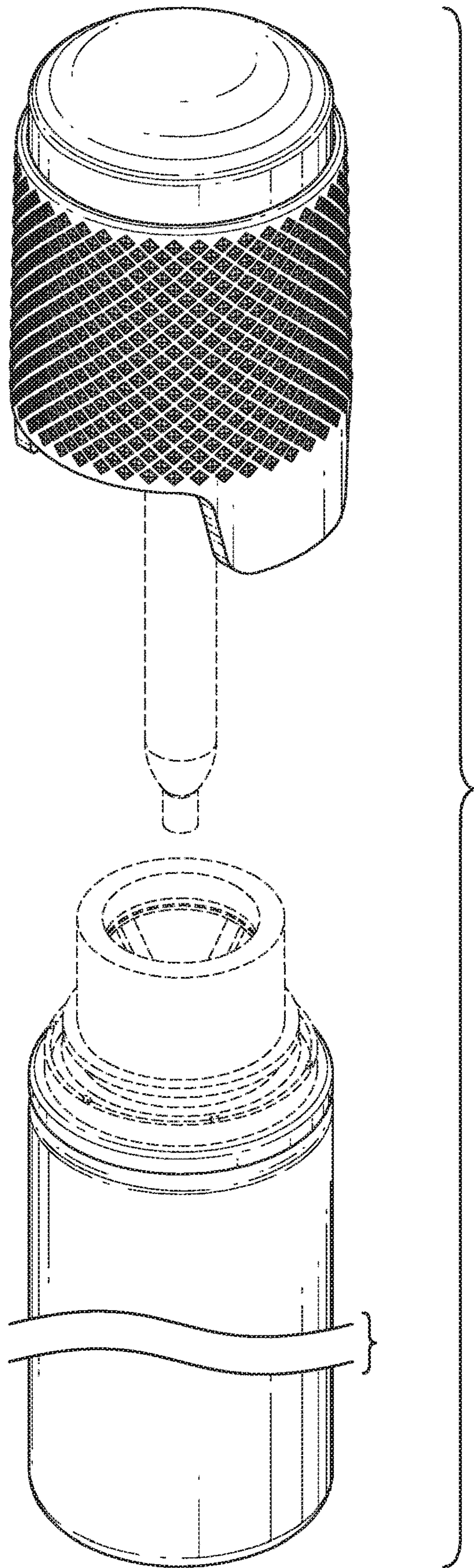


FIG. 19

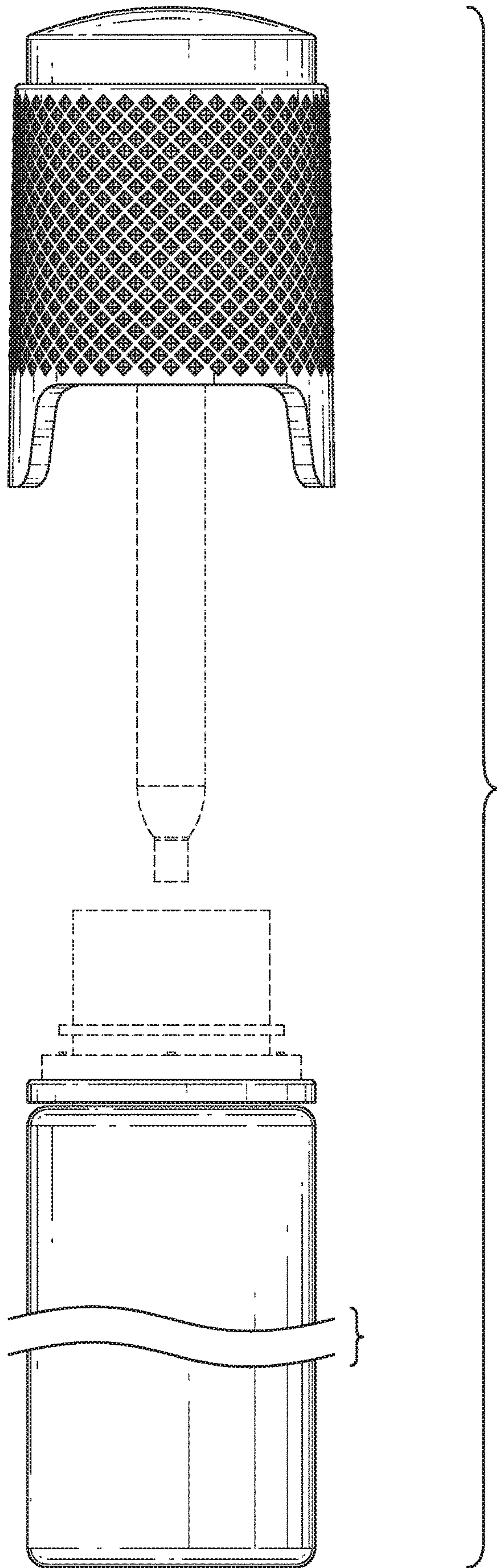


FIG. 20