



US00D893994S

(12) **United States Design Patent** (10) **Patent No.:** **US D893,994 S**  
**Dupont-Madinier et al.** (45) **Date of Patent:** **\*\* Aug. 25, 2020**

(54) **CLIP** 3,952,985 A 4/1976 Davenport  
4,119,285 A 10/1978 Bisping  
(71) Applicant: **CERTAINEED CORPORATION,** 4,135,692 A 1/1979 Ferguson  
Malvern, PA (US) 4,564,165 A 1/1986 Grant  
4,648,229 A 3/1987 Limp  
(72) Inventors: **Kim Dupont-Madinier,** Somerville, D289,251 S 4/1987 Joseph  
MA (US); **Conor Patrick McDonald,** 4,742,662 A 5/1988 Smith  
Boston, MA (US) 4,848,054 A 7/1989 Blitzer et al.  
4,926,606 A 5/1990 Hanson  
(73) Assignee: **CERTAINEED CORPORATION,** D319,006 S 8/1991 Talbot  
Malvern, PA (US) D321,639 S 11/1991 Adams  
D339,981 S 10/1993 Barnes  
5,265,393 A 11/1993 Bischel et al.  
5,421,132 A 6/1995 Bischel et al.  
(\*\*) Term: **15 Years** D364,799 S 12/1995 Callas  
5,495,697 A 3/1996 Bischel et al.  
(21) Appl. No.: **29/681,617** (Continued)

(22) Filed: **Feb. 27, 2019**

**FOREIGN PATENT DOCUMENTS**

**Related U.S. Application Data**

EP 0421255 A2 4/1991  
EP 0306463 B1 10/1991

(62) Division of application No. 29/586,032, filed on Nov. 30, 2016, now Pat. No. Des. 846,978.

*Primary Examiner* — John Windmuller

(51) **LOC (12) Cl.** ..... **08-08**

(74) *Attorney, Agent, or Firm* — Abel Schillinger, LLP;  
Thomas H. Osborn

(52) **U.S. Cl.**

USPC ..... **D8/394; D8/395**

(58) **Field of Classification Search**

(57) **CLAIM**

The ornamental design for a clip, as shown and described.

USPC ..... D8/356, 371, 394–396; D19/65, 56;  
D25/58, 121, 122

CPC . E04B 9/067; E04B 9/068; E04B 9/12; E04B  
9/18; E04B 9/30; E04B 2009/062; E04C  
2003/0413; E04C 2003/0439; E04C  
2003/046

**DESCRIPTION**

See application file for complete search history.

FIG. 1 is a front perspective view of a clip;

FIG. 2 is a front view thereof;

FIG. 3 is a back view thereof;

FIG. 4 is a side view thereof;

FIG. 5 is an opposite side view thereof;

FIG. 6 is a top view thereof; and,

FIG. 7 is a bottom view thereof.

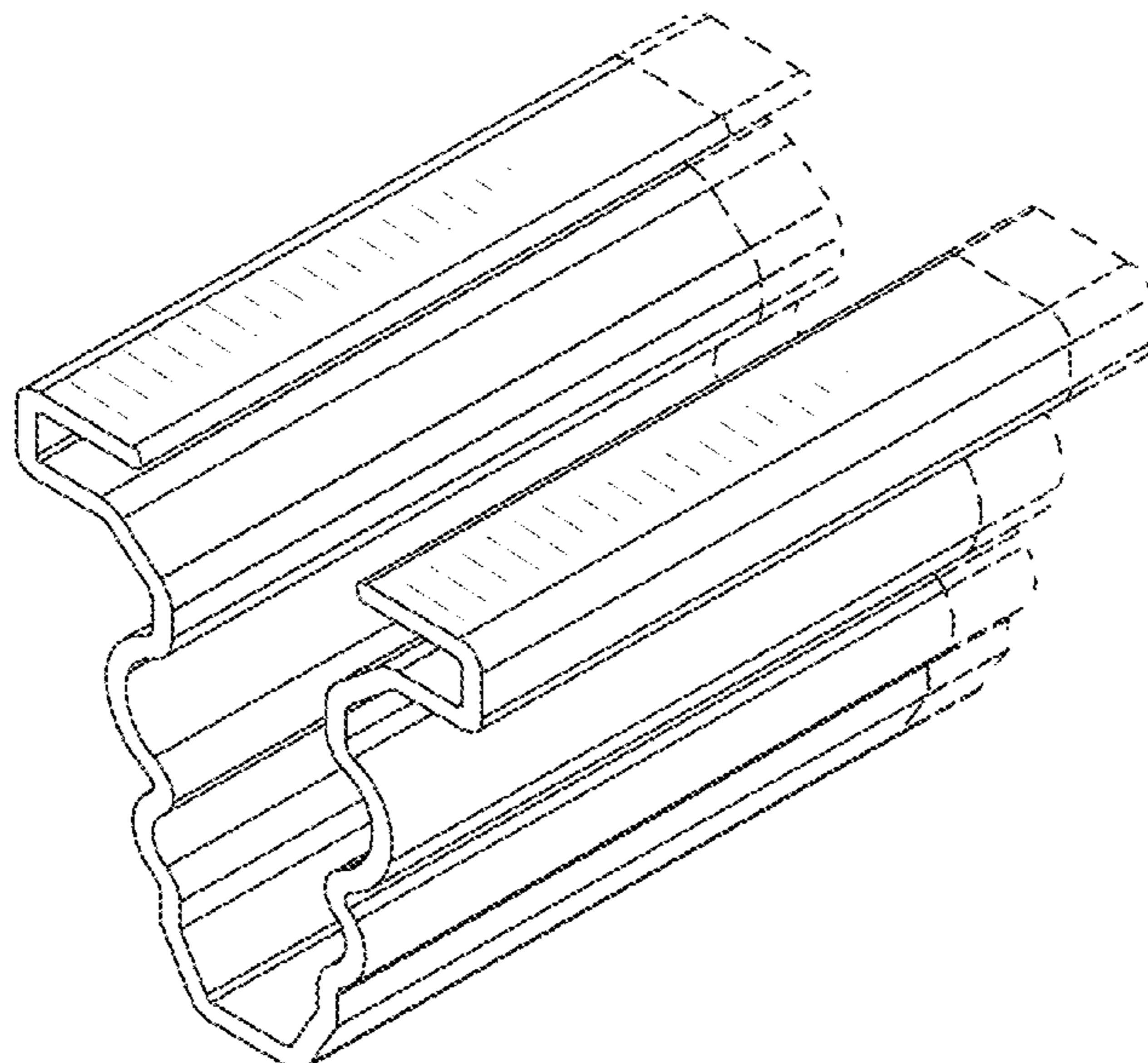
The broken lines showing a portion of the clip are for illustrative purposes only and form no part of the claimed design.

(56) **References Cited**

**U.S. PATENT DOCUMENTS**

386,378 A 7/1888 Bright  
386,379 A 7/1888 Bright  
2,807,431 A 9/1957 McHale  
3,618,176 A 11/1971 Barnes  
3,683,100 A 8/1972 Deal et al.

**1 Claim, 4 Drawing Sheets**



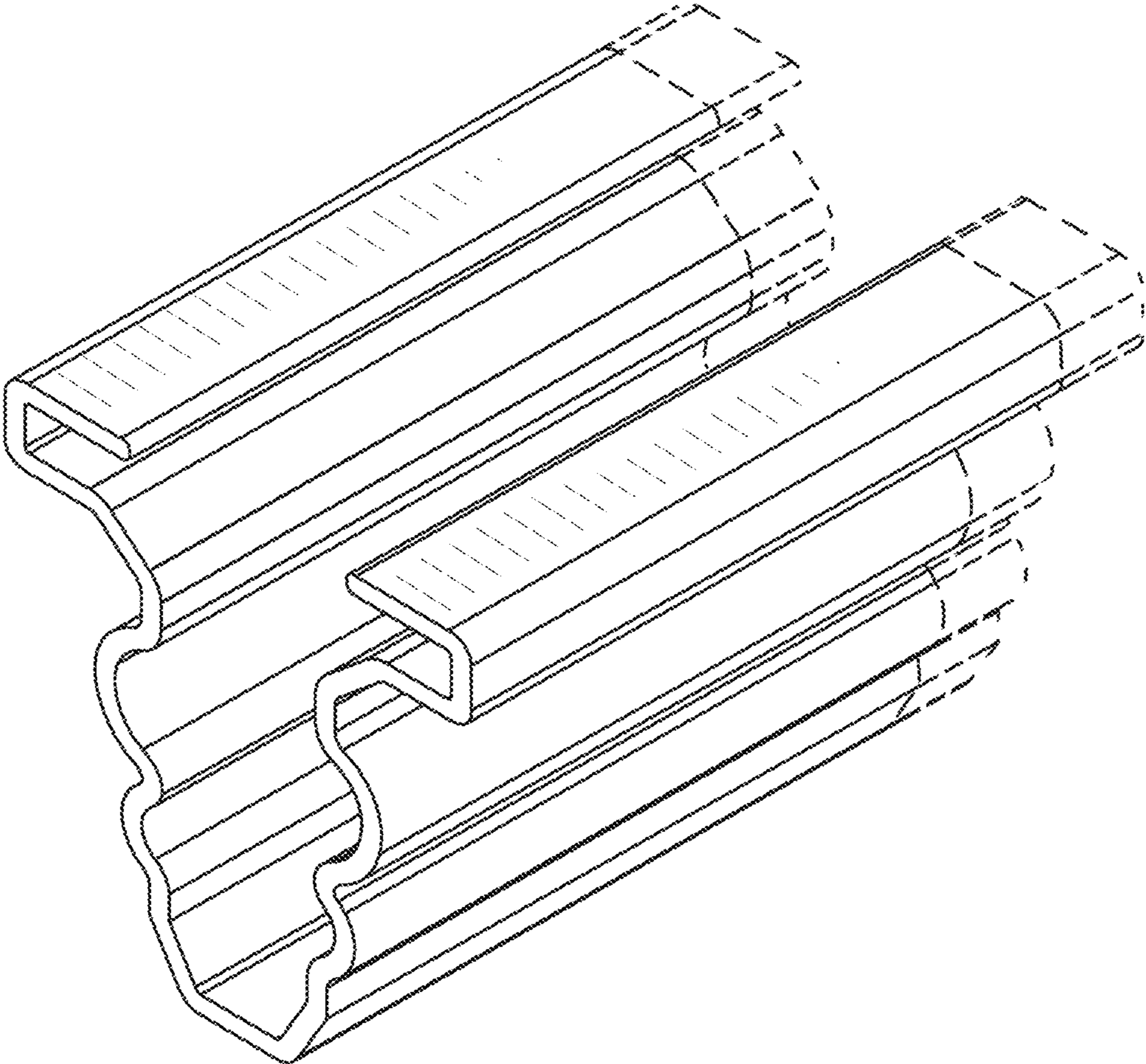
(56)

References Cited

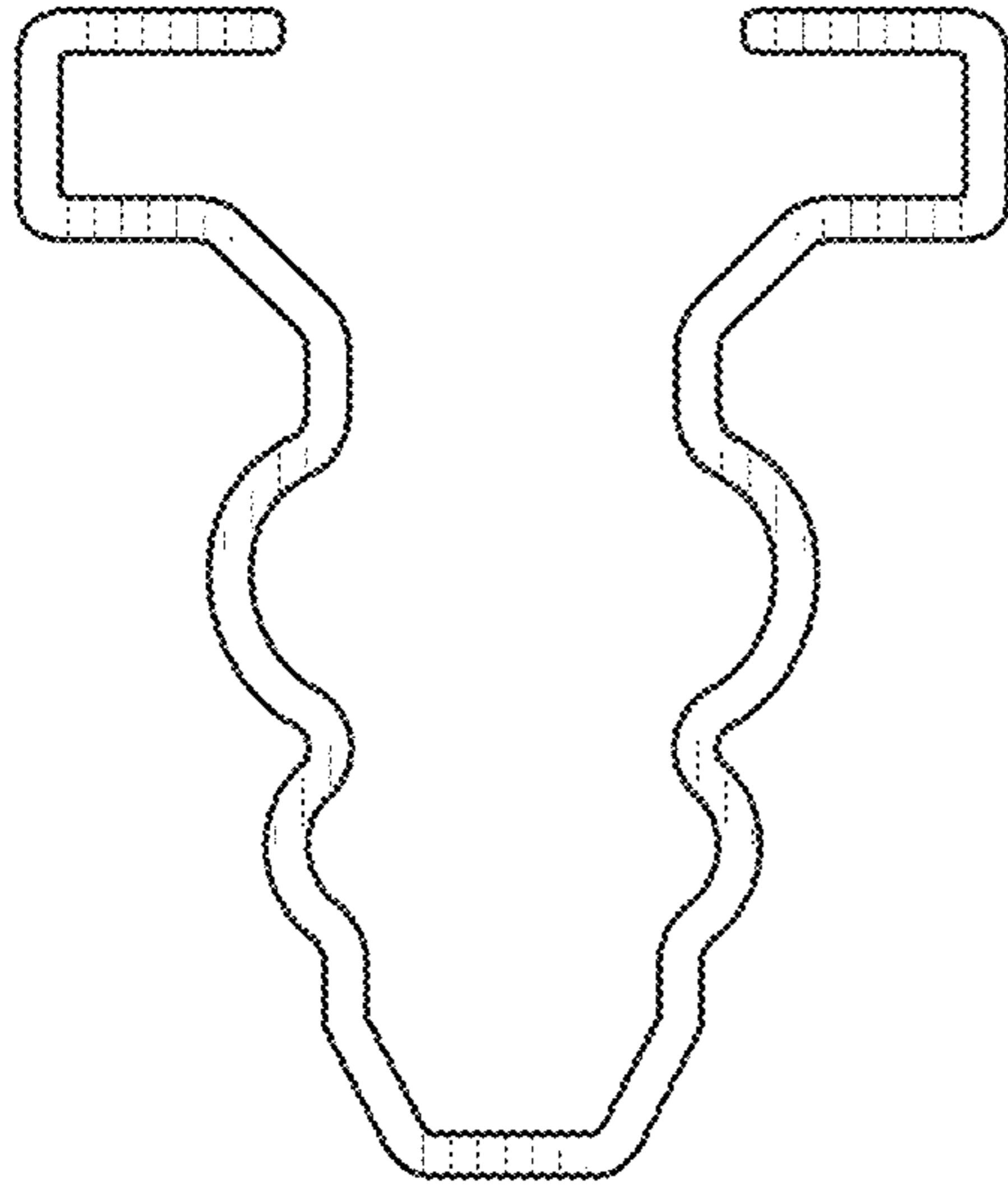
U.S. PATENT DOCUMENTS

5,533,696 A	7/1996	Laughlin et al.		D669,770 S	10/2012	Lapping et al.
5,806,823 A	9/1998	Callas		8,359,801 B2	1/2013	Burnett et al.
5,845,447 A	12/1998	Bodine et al.		D679,177 S	4/2013	Craig et al.
5,954,300 A	9/1999	Sturies et al.		D688,122 S	8/2013	Wasco
D429,001 S	8/2000	Benz et al.		D690,583 S	10/2013	Sendra-Gonzalez et al.
6,659,521 B2	12/2003	Hill		9,217,247 B2	12/2015	Behling et al.
D488,055 S	4/2004	Ter Braak		D756,764 S	5/2016	Limber
D501,564 S	2/2005	Kuramochi		D762,457 S	8/2016	Lo et al.
D541,953 S	5/2007	Deleu		D781,693 S	3/2017	Roan et al.
7,392,629 B1	7/2008	Bankston et al.		D781,694 S	3/2017	Iwata et al.
D605,102 S *	12/2009	Peschmann .....	D12/223	D816,475 S	5/2018	Ochi et al.
D611,887 S *	3/2010	Peschmann .....	D12/223	9,982,742 B2	5/2018	Loewe et al.
D616,567 S	5/2010	Desrosiers et al.		2002/0060280 A1	5/2002	Yaphe
D616,568 S	5/2010	Desrosiers et al.		2006/0174562 A1	8/2006	Insalaco
D632,554 S	2/2011	Grzyb		2009/0242715 A1	10/2009	Kosidlo
D635,692 S	4/2011	Wirthgen		2011/0247287 A1	10/2011	Butcher et al.
D638,773 S	5/2011	Laverack et al.		2015/0152645 A1	6/2015	Burnett
				2015/0262516 A1	9/2015	White
				2017/0099745 A1	4/2017	Dang

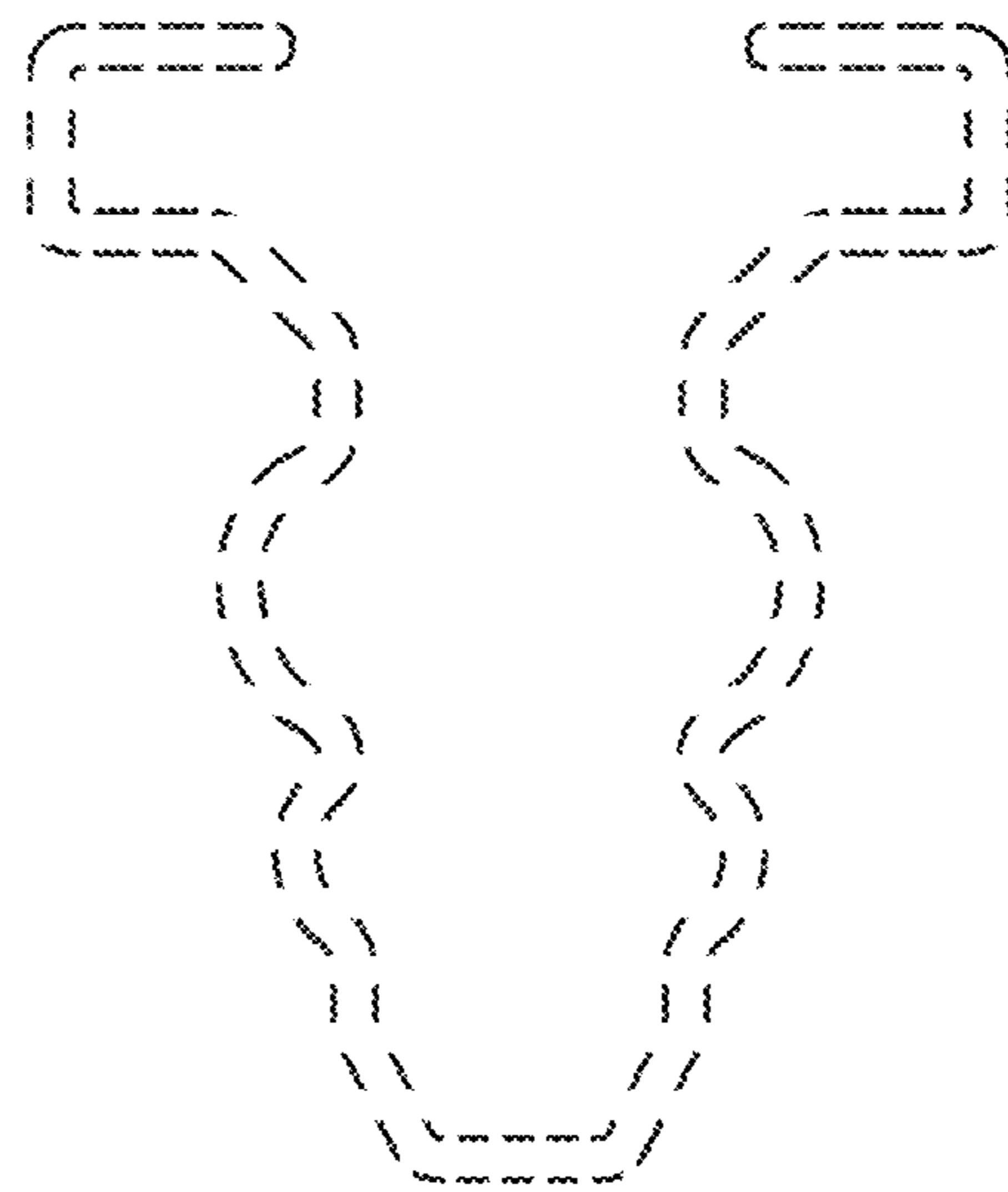
\* cited by examiner



*FIG. 1*

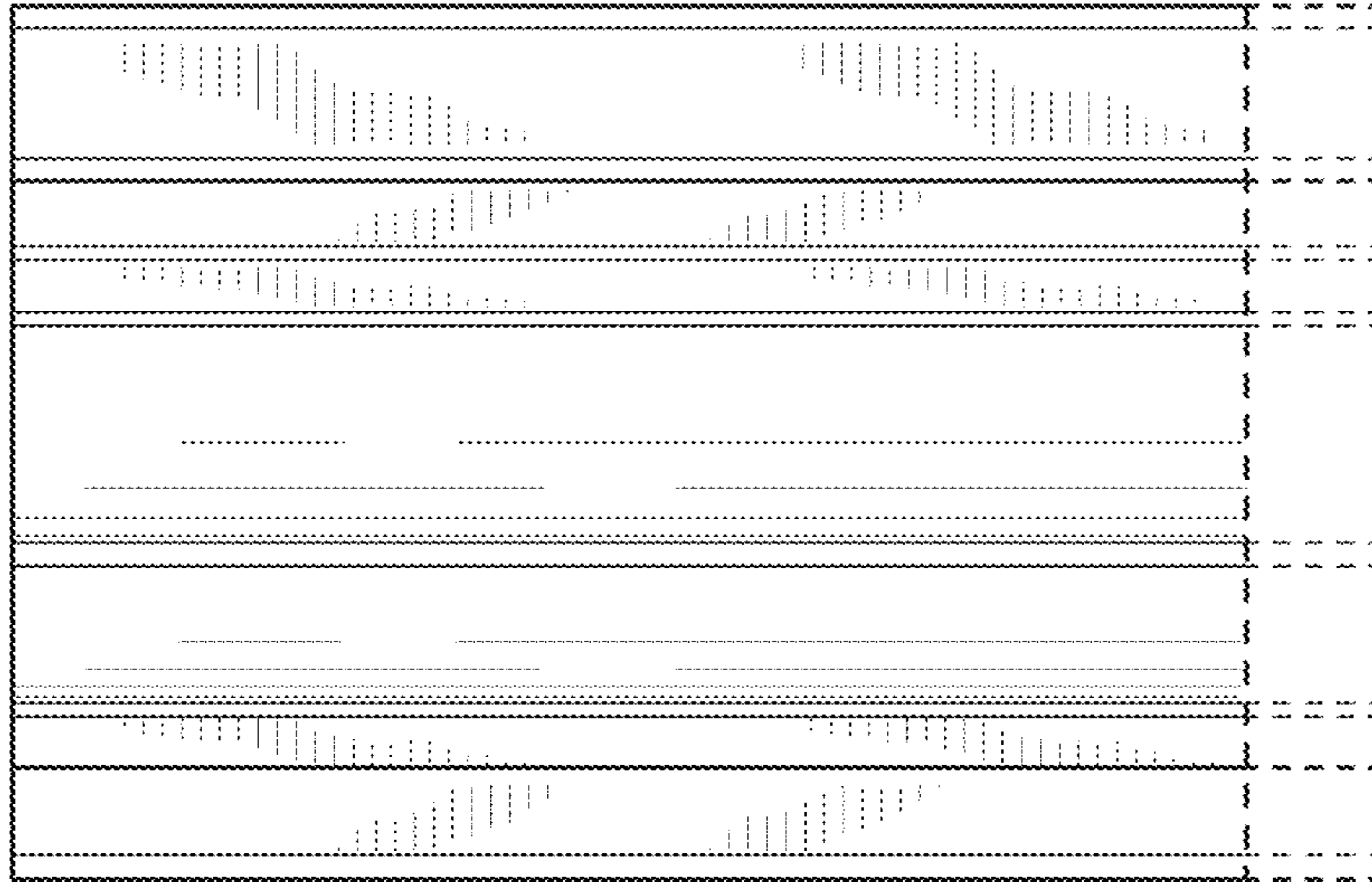


*FIG. 2*

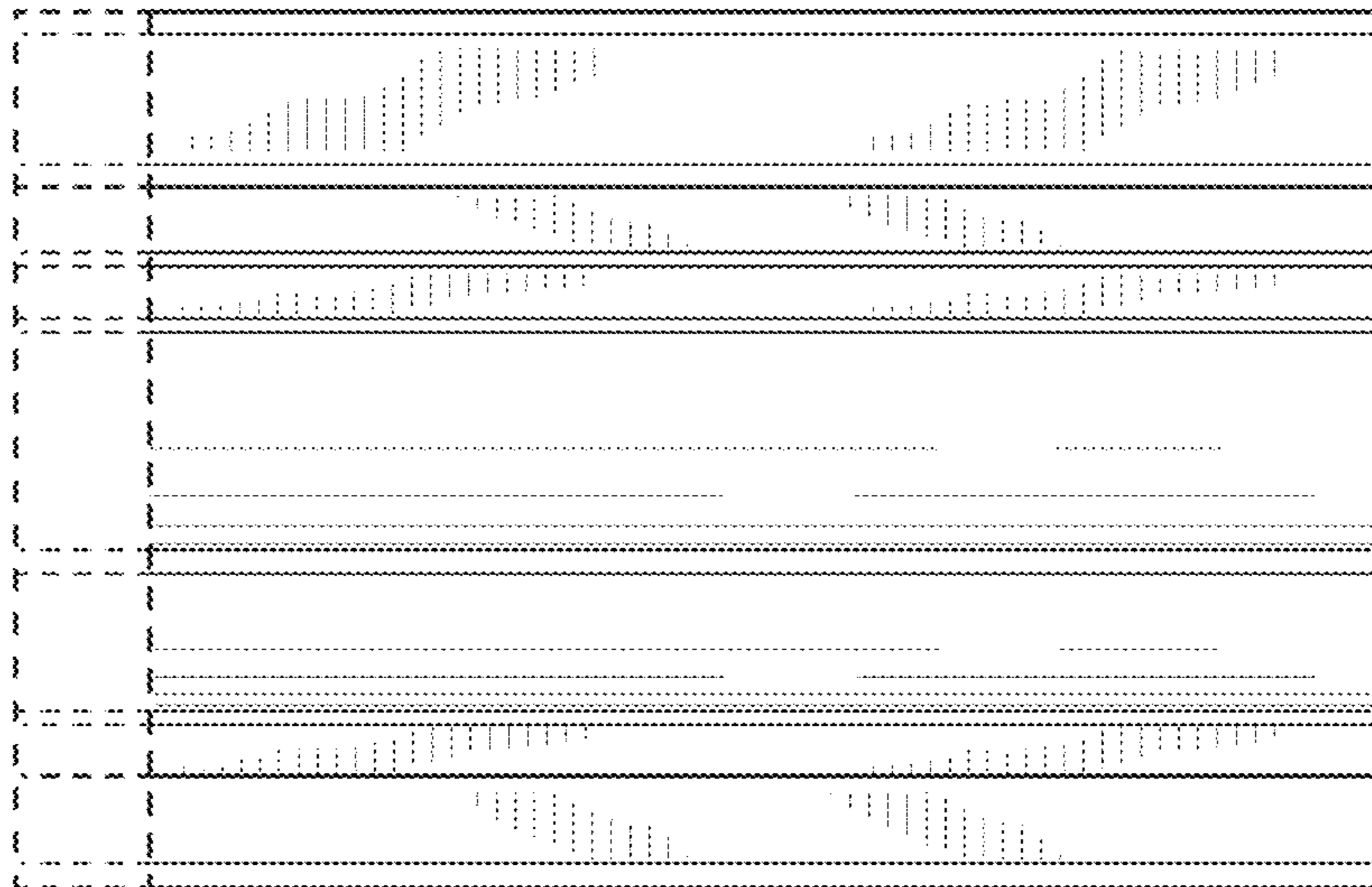


*FIG. 3*





*FIG. 4*



*FIG. 5*

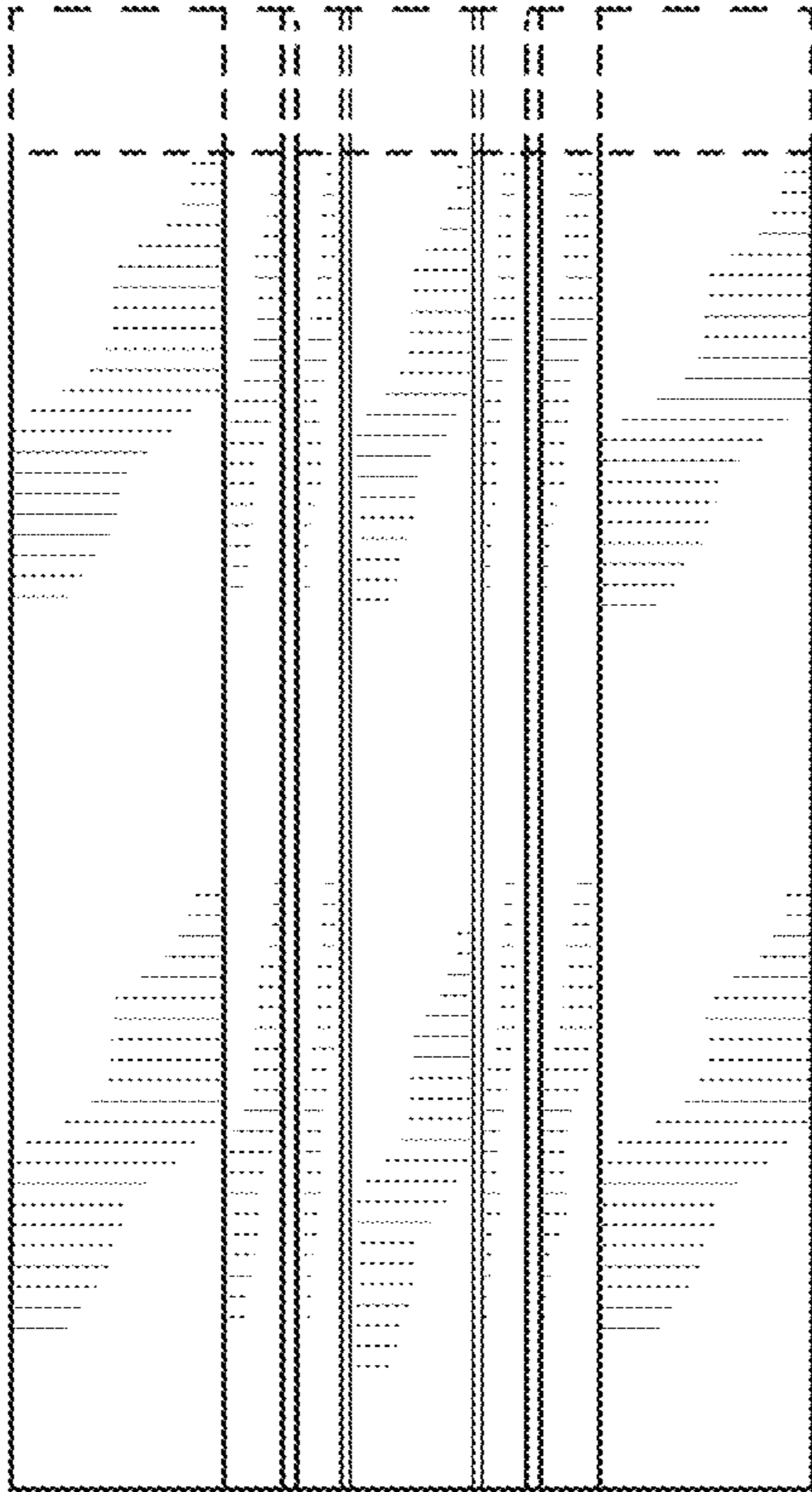


FIG. 6

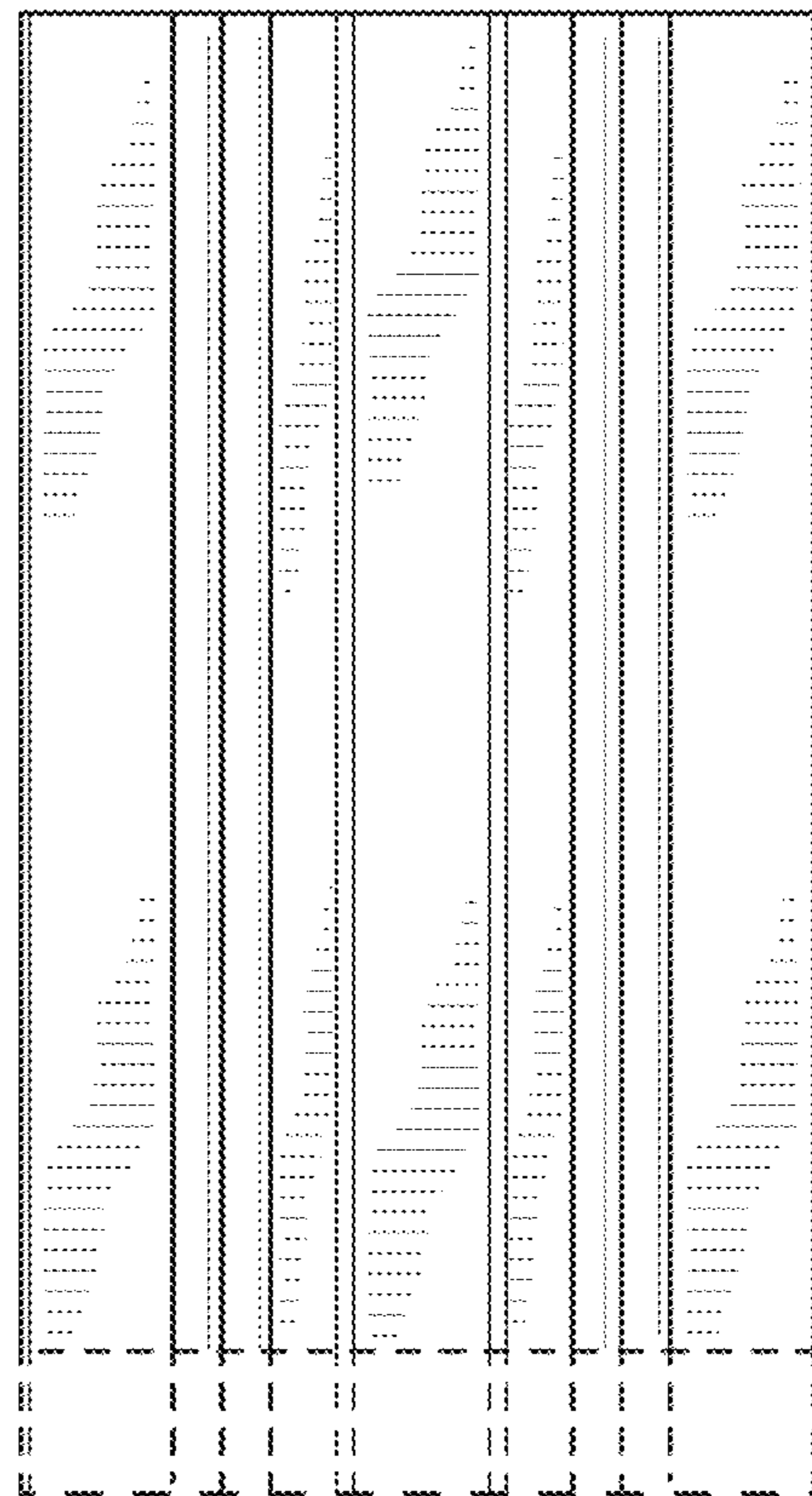


FIG. 7