

US00D893992S

(12) **United States Design Patent**  
**Heindl**

(10) **Patent No.:** **US D893,992 S**

(45) **Date of Patent:** **\*\* Aug. 25, 2020**

- (54) **SHEET PILE CONNECTOR**
- (71) Applicant: **Richard Heindl**, Gräfelfing (DE)
- (72) Inventor: **Richard Heindl**, Gräfelfing (DE)
- (\*\*) Term: **15 Years**
- (21) Appl. No.: **29/696,615**
- (22) Filed: **Jun. 28, 2019**
- (30) **Foreign Application Priority Data**  
Dec. 31, 2018 (EM) ..... 005946571-0009
- (51) **LOC (12) Cl.** ..... **08-08**
- (52) **U.S. Cl.**  
USPC ..... **D8/382**
- (58) **Field of Classification Search**  
USPC ..... D8/382, 394, 395; D25/119  
CPC .... E02D 5/02; E02D 5/04; E02D 5/06; E02D  
5/08; E02D 5/12; Y10T 403/73  
See application file for complete search history.

- D541,640 S 5/2007 Heindl
- D541,641 S 5/2007 Heindl
- D541,642 S 5/2007 Heindl
- D542,634 S 5/2007 Heindl
- D542,635 S 5/2007 Heindl
- D542,636 S 5/2007 Heindl
- D542,637 S 5/2007 Heindl
- D542,638 S 5/2007 Heindl
- D542,639 S 5/2007 Heindl
- D542,640 S 5/2007 Heindl
- D542,641 S 5/2007 Heindl
- D542,642 S \* 5/2007 Heindl ..... D8/382
- D542,643 S 5/2007 Heindl
- D543,097 S 5/2007 Heindl
- D543,098 S 5/2007 Heindl
- D543,099 S 5/2007 Heindl
- D543,100 S 5/2007 Heindl
- D543,101 S 5/2007 Heindl
- D543,444 S 5/2007 Heindl
- 7,527,456 B2 5/2009 Heindl
- D621,248 S 8/2010 Heindl
- D623,930 S 9/2010 Austro
- D623,932 S 9/2010 Austro

(Continued)

*Primary Examiner* — Sandra S Snapp  
*Assistant Examiner* — Ieisha N Price  
 (74) *Attorney, Agent, or Firm* — Muenier Carlin & Curfman LLC

(56) **References Cited**

U.S. PATENT DOCUMENTS

- 3,225,407 A 12/1965 Daniels
- D401,005 S 11/1998 Ludbrook
- D421,137 S 2/2000 Marshall
- 6,428,244 B1 8/2002 Wall
- D471,083 S 3/2003 Wall
- D471,793 S 3/2003 Wall
- D471,794 S 3/2003 Wall
- D472,455 S 4/2003 Wall
- D517,905 S 3/2006 Wall
- D525,862 S \* 8/2006 Wall ..... D8/382
- D540,660 S 4/2007 Heindl
- D540,661 S 4/2007 Heindl
- D541,639 S 5/2007 Heindl

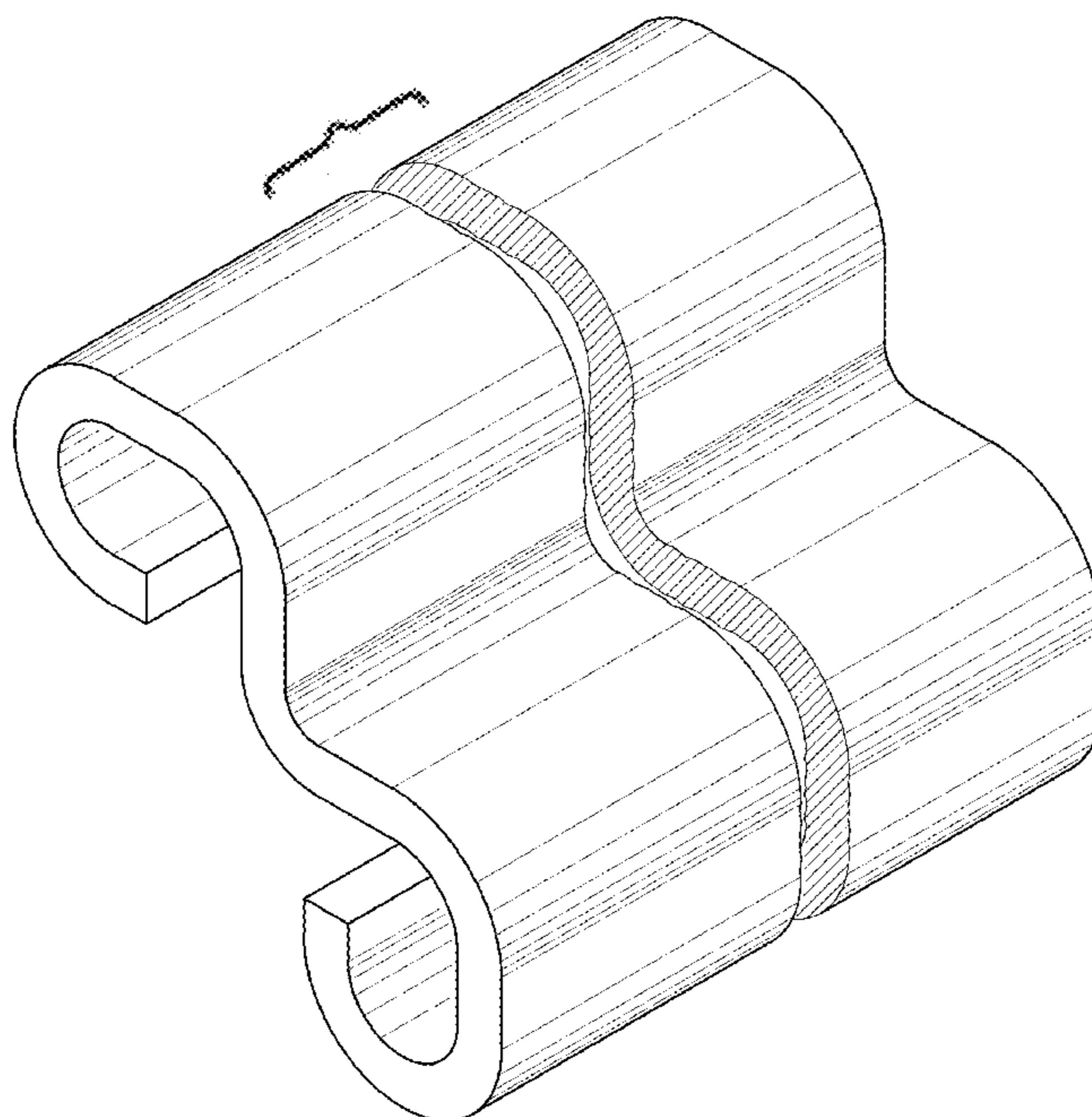
(57) **CLAIM**

The ornamental design for a sheet pile connector, as shown and described.

**DESCRIPTION**

FIG. 1 illustrates a rear perspective view of my design; and, FIG. 2 illustrates a side view of the design shown in FIG. 1. The sheet pile connector is shown with a symbolic break in its length. The appearance of any portion of the article between the break lines forms no part of the claimed design.

**1 Claim, 2 Drawing Sheets**



(56)

**References Cited**

U.S. PATENT DOCUMENTS

D624,395	S	9/2010	Austro	
D626,826	S	11/2010	Austro	
D626,827	S	11/2010	Austro	
D649,443	S	11/2011	Heindl	
D665,660	S	8/2012	Heindl	
D666,484	S	9/2012	Heindl	
D681,424	S	5/2013	Heindl	
D681,427	S	5/2013	Heindl	
D681,429	S *	5/2013	Heindl	..... D8/382
D681,431	S	5/2013	Heindl	
D704,769	S	5/2014	Penington	
D790,330	S	6/2017	Heindl	
D794,245	S	8/2017	Klus	
D798,134	S	9/2017	Heindl	
D811,866	S	3/2018	Heindl	
D832,090	S *	10/2018	Heindl	..... D8/382
10,184,219	B2 *	1/2019	McMaster	..... E01F 15/088
2008/0152435	A1 *	6/2008	Heindl	..... E02D 5/08 405/274
2008/0219776	A1	9/2008	Heindl	
2009/0311052	A1 *	12/2009	Heindl	..... E02D 5/06 405/278
2014/0112725	A1	4/2014	Wendt	
2015/0010366	A1 *	1/2015	McShane	..... E02D 5/02 405/279
2018/0044874	A1	2/2018	Courtright	

\* cited by examiner

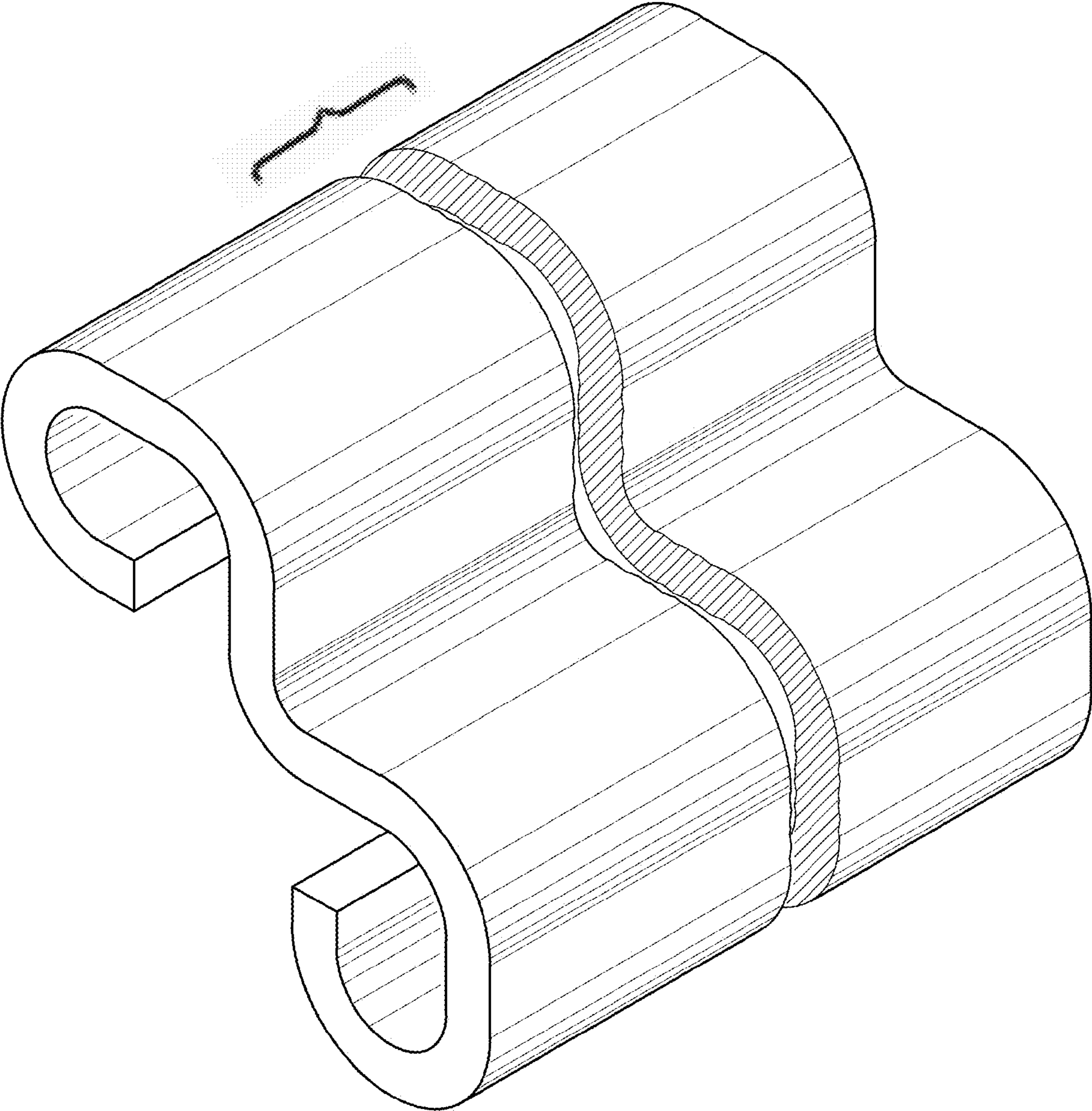


FIG. 1

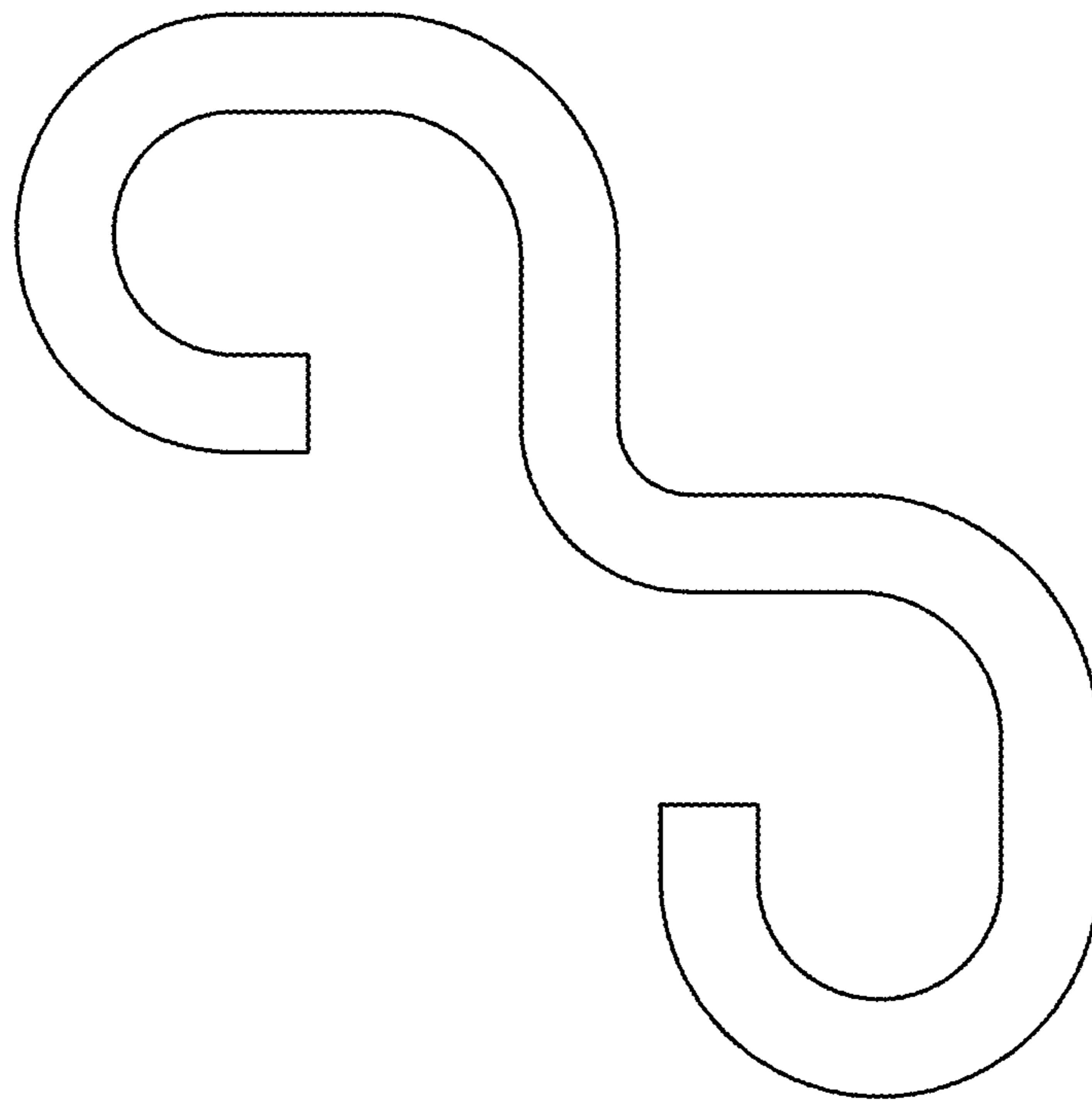


FIG. 2