



US00D893991S

(12) **United States Design Patent** (10) **Patent No.:** **US D893,991 S**
Heindl (45) **Date of Patent:** **** Aug. 25, 2020**

(54) **SHEET PILE CONNECTOR**
(71) Applicant: **Richard Heindl**, Gräfelting (DE)
(72) Inventor: **Richard Heindl**, Gräfelting (DE)
(**) Term: **15 Years**
(21) Appl. No.: **29/696,611**
(22) Filed: **Jun. 28, 2019**

(30) **Foreign Application Priority Data**

Dec. 31, 2018 (EM) 005946571-0007

(51) **LOC (12) Cl.** **08-08**

(52) **U.S. Cl.**
USPC **D8/382**

(58) **Field of Classification Search**
USPC D8/382, 394, 395; D25/119
CPC E02D 5/02; E02D 5/04; E02D 5/06; E02D
5/08; E02D 5/12; Y10T 403/73
See application file for complete search history.

(56) **References Cited**

U.S. PATENT DOCUMENTS

912,021 A	2/1909	Neilson	
923,110 A	5/1909	Boardman	
976,573 A	11/1910	Jones	
1,003,777 A	9/1911	Neilson	
1,003,778 A	9/1911	Neilson	
1,005,514 A	10/1911	Conkling	
1,070,833 A	8/1913	Neilson	
1,330,240 A	2/1920	Conkling	
3,225,407 A	12/1965	Barrymore	
D242,986 S	1/1977	Inglis	
D245,791 S *	9/1977	Copeland D25/119
D331,007 S	11/1992	Roick	
D401,005 S	11/1998	Ludbrook	

D421,137 S	2/2000	Marshall	
6,428,244 B1	8/2002	Wall	
D465,291 S	11/2002	Marshall	
D471,083 S	3/2003	Wall	
D471,793 S	3/2003	Wall	
D471,794 S	3/2003	Wall	
D472,455 S	4/2003	Wall	
D517,905 S	3/2006	Wall	
D521,365 S *	5/2006	Wall D8/382
D526,888 S	8/2006	Heindl	
D527,248 S	8/2006	Heindl	
D527,619 S	9/2006	Heindl	
D530,190 S	10/2006	Wall	
D540,660 S	4/2007	Heindl	
D540,661 S	4/2007	Heindl	
D541,639 S	5/2007	Heindl	
D541,640 S	5/2007	Heindl	
D541,641 S	5/2007	Heindl	
D541,642 S	5/2007	Heindl	
D542,633 S	5/2007	Heindl	
D542,634 S	5/2007	Heindl	
D542,635 S	5/2007	Heindl	
D542,636 S	5/2007	Heindl	

(Continued)

Primary Examiner — Sandra S Snapp
Assistant Examiner — Ieisha N Price
(74) *Attorney, Agent, or Firm* — Muenier Carlin & Curfman LLC

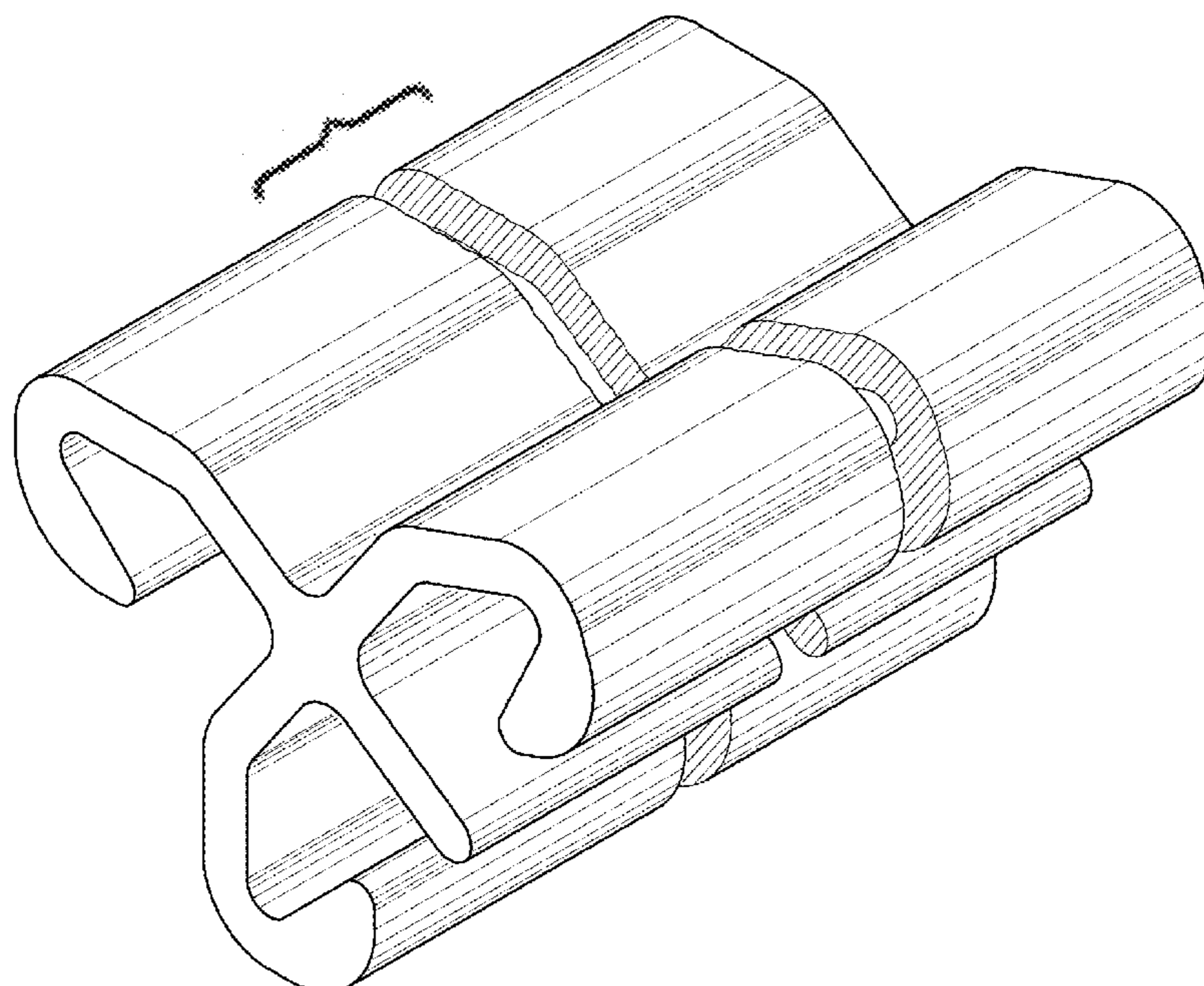
(57) **CLAIM**

The ornamental design for a sheet pile connector, as shown and described.

DESCRIPTION

FIG. 1 illustrates a front perspective view of my design; and, FIG. 2 illustrates a side view of the design shown in FIG. 1. The sheet pile connector is shown with a symbolic break in its length. The appearance of any portion of the article between the break lines forms no part of the claimed design.

1 Claim, 2 Drawing Sheets



(56)

References Cited

U.S. PATENT DOCUMENTS

D542,637 S	5/2007	Heindl	D723,360 S	3/2015	McShane	
D542,638 S	5/2007	Heindl	D734,137 S	7/2015	McShane	
D542,639 S	5/2007	Heindl	D737,116 S	9/2015	Lussier	
D542,640 S	5/2007	Heindl	D737,673 S	9/2015	McShane	
D542,641 S	5/2007	Heindl	D782,903 S	4/2017	Heindl	
D542,643 S	5/2007	Heindl	D788,573 S	6/2017	Heindl	
D543,097 S	5/2007	Heindl	D790,330 S	6/2017	Heindl	
D543,098 S	5/2007	Heindl	D794,245 S	8/2017	Klus	
D543,099 S	5/2007	Heindl	D798,134 S	9/2017	Heindl	
D543,100 S	5/2007	Heindl	D801,794 S	11/2017	Heindl	
D543,101 S	5/2007	Heindl	D807,159 S	1/2018	Heindl	
D543,444 S	5/2007	Heindl	D811,865 S	3/2018	Heindl	
7,527,456 B2	5/2009	Heindl	D811,866 S	3/2018	Heindl	
D621,248 S	8/2010	Heindl	D811,867 S	3/2018	Heindl	
D623,930 S	9/2010	Austro	D820,670 S	6/2018	Heindl	
D623,932 S	9/2010	Austro	D832,090 S *	10/2018	Heindl D8/382
D624,395 S	9/2010	Austro	D832,091 S *	10/2018	Heindl D8/382
D626,826 S	11/2010	Austro	D832,092 S	10/2018	Heindl	
D626,827 S	11/2010	Austro	D832,689 S	11/2018	Heindl	
D640,533 S	6/2011	Austro	D832,690 S	11/2018	Heindl	
D640,534 S	6/2011	Austro	D832,691 S	11/2018	Heindl	
D649,443 S	11/2011	Heindl	D836,427 S	12/2018	Heindl	
D665,658 S	8/2012	Heindl	D877,605 S *	3/2020	Zeilinger D8/394
D665,660 S	8/2012	Heindl	2008/0152435 A1 *	6/2008	Heindl E02D 5/08 405/274
D666,484 S	9/2012	Heindl	2008/0219776 A1	9/2008	Heindl	
D681,424 S	5/2013	Heindl	2008/0310924 A1	12/2008	Heindl	
D681,425 S	5/2013	Heindl	2009/0191008 A1 *	7/2009	Heindl E02D 5/08 405/279
D681,426 S	5/2013	Heindl	2009/0311052 A1 *	12/2009	Heindl E02D 5/06 405/278
D681,427 S	5/2013	Heindl	2012/0269583 A1	10/2012	Heindl	
D681,428 S	5/2013	Heindl	2014/0112725 A1	4/2014	Wendt	
D681,431 S	5/2013	Heindl	2015/0010366 A1 *	1/2015	McShane E02D 5/02 405/279
D681,432 S *	5/2013	Heindl	2018/0044874 A1	2/2018	Courtright	
D681,433 S *	5/2013	Heindl				
D704,769 S	5/2014	Penington				
D721,947 S	2/2015	Wendt				

* cited by examiner

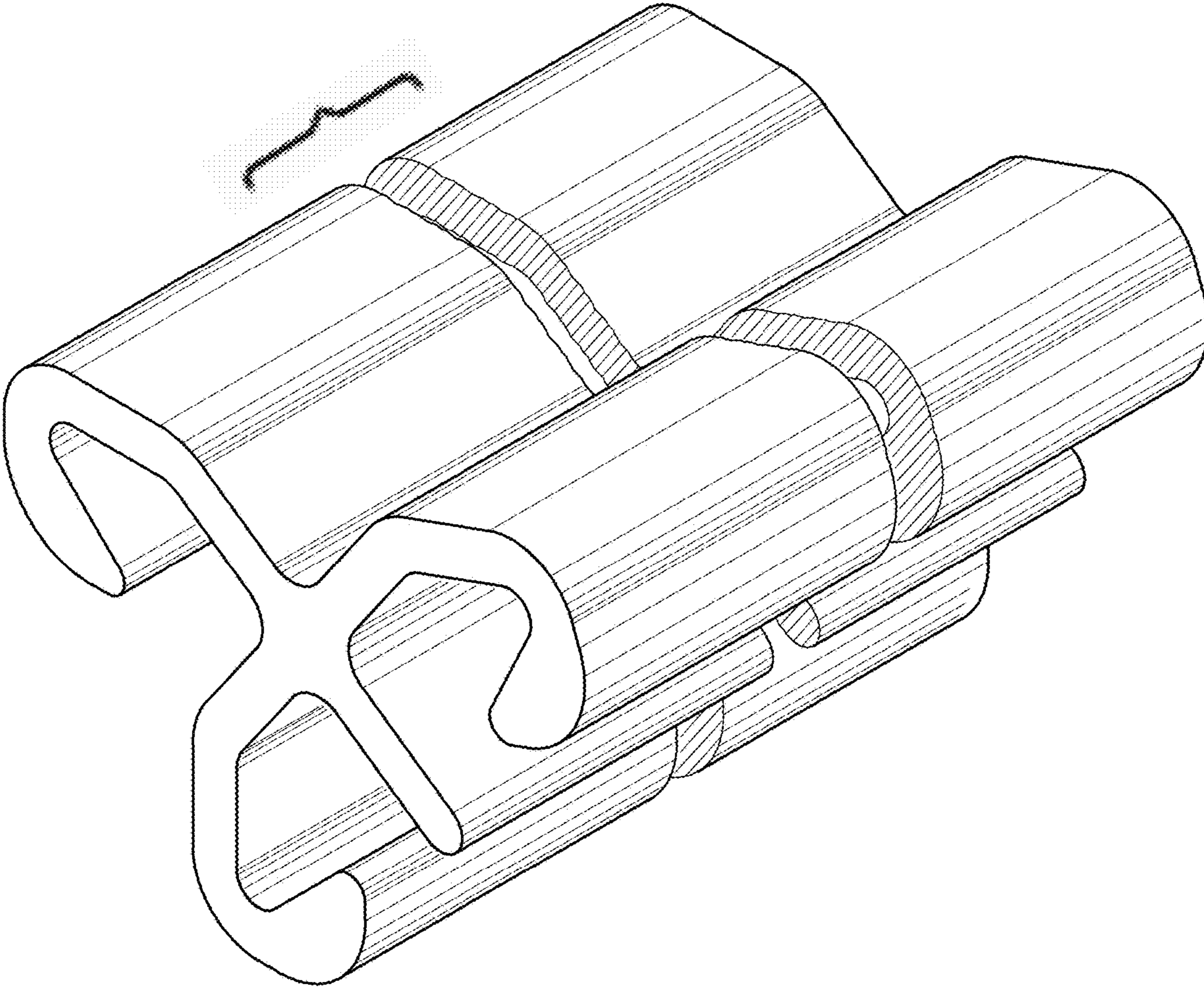


FIG. 1

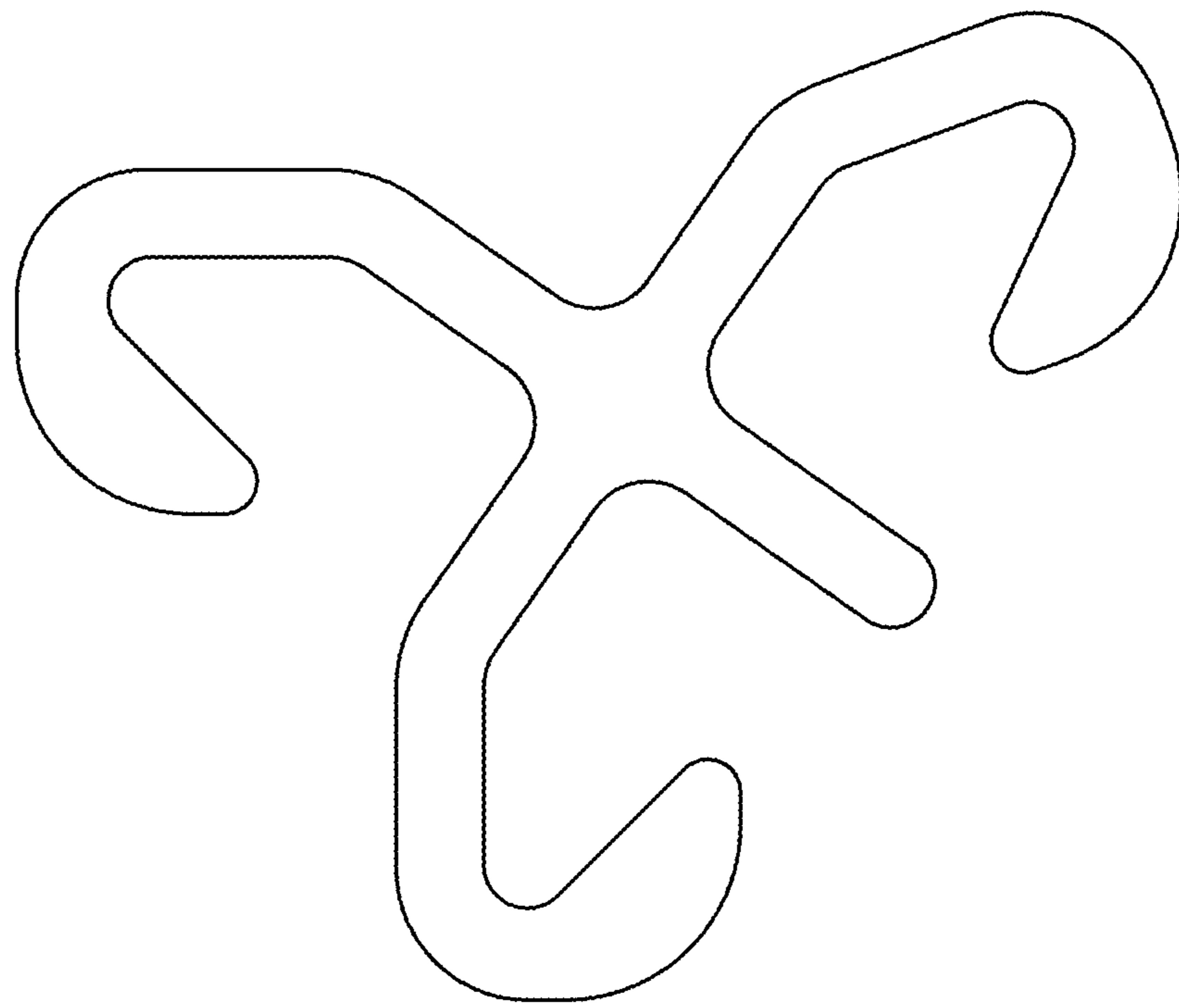


FIG. 2