



US00D893989S

(12) **United States Design Patent**
Heindl

(10) **Patent No.:** **US D893,989 S**

(45) **Date of Patent:** **** Aug. 25, 2020**

(54) **SHEET PILE CONNECTOR**

(71) Applicant: **Richard Heindl**, Gräfelfing (DE)

(72) Inventor: **Richard Heindl**, Gräfelfing (DE)

(**) Term: **15 Years**

(21) Appl. No.: **29/683,984**

(22) Filed: **Mar. 18, 2019**

(30) **Foreign Application Priority Data**

Sep. 18, 2018 (EM) 005648011-0002

(51) **LOC (12) Cl.** **08-08**

(52) **U.S. Cl.**
USPC **D8/382**

(58) **Field of Classification Search**
USPC D8/382, 394, 395; D25/119
CPC E02D 5/02; E02D 5/04; E02D 5/06; E02D
5/08; E02D 5/12; Y10T 403/73
See application file for complete search history.

(56) **References Cited**

U.S. PATENT DOCUMENTS

3,225,407 A	12/1965	Daniels et al.	
D401,005 S	11/1998	Ludbrook et al.	
D421,137 S	2/2000	Marshall	
6,428,244 B1	8/2002	Wall	
D471,083 S	3/2003	Wall	
D471,793 S	3/2003	Wall	
D471,794 S	3/2003	Wall	
D472,455 S	4/2003	Wall	
D517,905 S	3/2006	Wall	
D525,862 S *	8/2006	Wall	D8/382
D540,660 S	4/2007	Heindl	
D540,661 S	4/2007	Heindl	
D541,639 S	5/2007	Heindl	

D541,640 S	5/2007	Heindl
D541,641 S	5/2007	Heindl
D541,642 S	5/2007	Heindl
D542,634 S	5/2007	Heindl
D542,635 S	5/2007	Heindl
D542,636 S	5/2007	Heindl
D542,637 S	5/2007	Heindl
D542,638 S	5/2007	Heindl
D542,639 S	5/2007	Heindl
D542,640 S	5/2007	Heindl
D542,641 S	5/2007	Heindl
D542,643 S	5/2007	Heindl
D543,097 S	5/2007	Heindl
D543,098 S	5/2007	Heindl
D543,099 S	5/2007	Heindl
D543,100 S	5/2007	Heindl
D543,101 S	5/2007	Heindl
D543,444 S	5/2007	Heindl
7,527,456 B2	5/2009	Heindl
D621,248 S	8/2010	Heindl
D623,930 S	9/2010	Austro
D623,932 S	9/2010	Austro
D624,395 S	9/2010	Austro

(Continued)

Primary Examiner — Sandra S Snapp

Assistant Examiner — Ieisha N Price

(74) *Attorney, Agent, or Firm* — Meunier Carlin & Curfman LLC

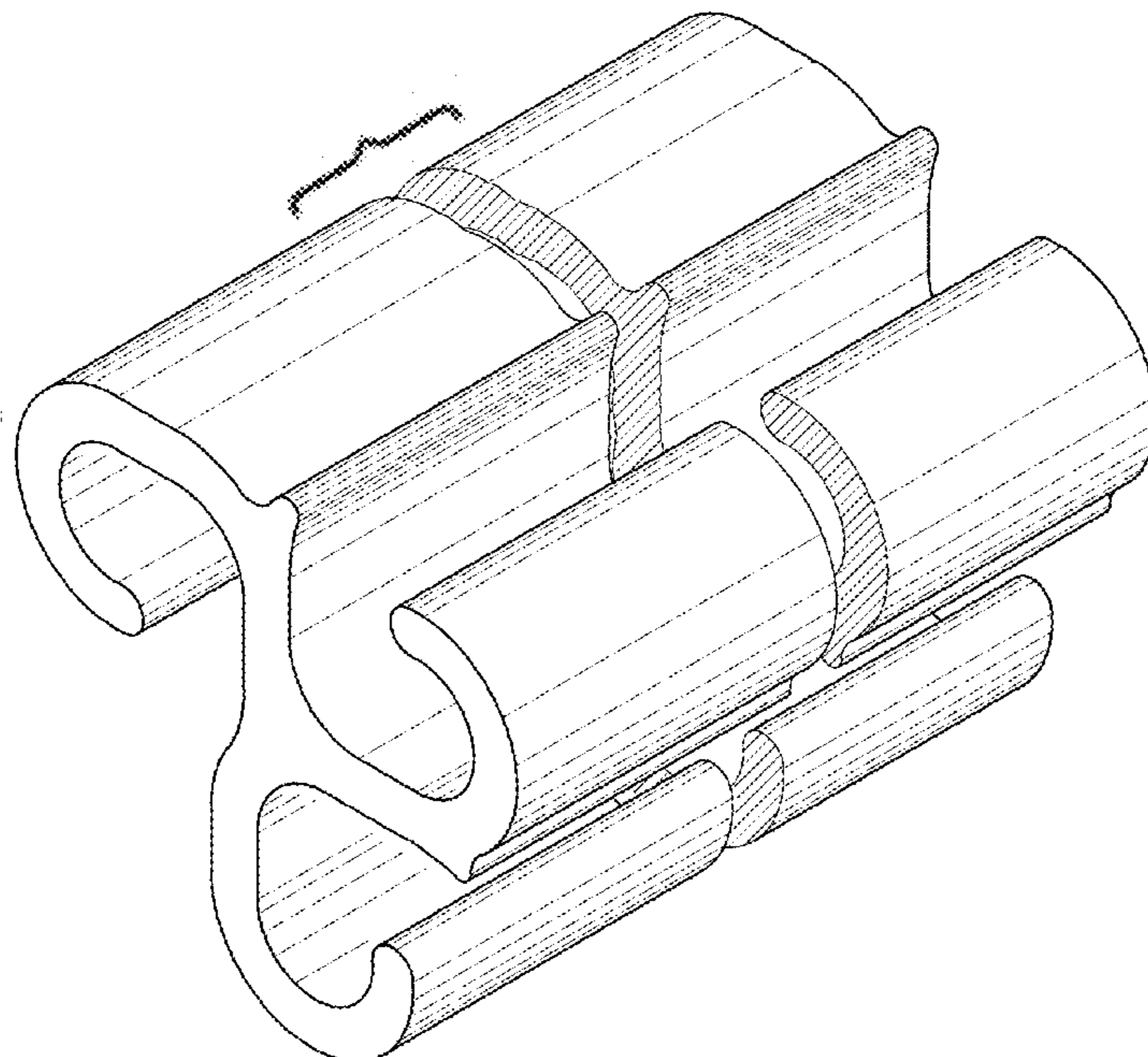
(57) **CLAIM**

The ornamental design for a sheet pile connector, as shown and described.

DESCRIPTION

FIG. 1 illustrates a front perspective view of my design; and, FIG. 2 illustrates a side view of the design shown in FIG. 1. The sheet pile connector is shown with a symbolic break in its length. The appearance of any portion of the article between the break lines forms no part of the claimed design.

1 Claim, 2 Drawing Sheets



(56)

References Cited

U.S. PATENT DOCUMENTS

D626,826	S	11/2010	Austro	
D626,827	S	11/2010	Austro	
D649,443	S	11/2011	Heindl	
D665,660	S	8/2012	Heindl	
D666,484	S	9/2012	Heindl	
D681,424	S	5/2013	Heindl	
D681,427	S	5/2013	Heindl	
D681,431	S	5/2013	Heindl	
D681,432	S *	5/2013	Heindl D8/382
D704,769	S	5/2014	Penington	
D790,330	S	6/2017	Heindl	
D794,245	S	8/2017	Klus	
D798,134	S	9/2017	Heindl	
D811,866	S	3/2018	Heindl	
D820,670	S	6/2018	Heindl	
D832,090	S *	10/2018	Heindl D8/382
D832,091	S *	10/2018	Heindl D8/382
D832,092	S	10/2018	Heindl	
D832,689	S	11/2018	Heindl	
D832,690	S	11/2018	Heindl	
D832,691	S	11/2018	Heindl	
D836,427	S	12/2018	Heindl	
D877,605	S *	3/2020	Zeilinger D8/394
2008/0152435	A1 *	6/2008	Heindl E02D 5/08 405/274
2008/0219776	A1	9/2008	Heindl	
2009/0191008	A1 *	7/2009	Heindl E02D 5/08 405/279
2014/0112725	A1	4/2014	Wendt	
2015/0010366	A1 *	1/2015	McShane E02D 5/02 405/279
2018/0044874	A1	2/2018	Courtright et al.	

* cited by examiner

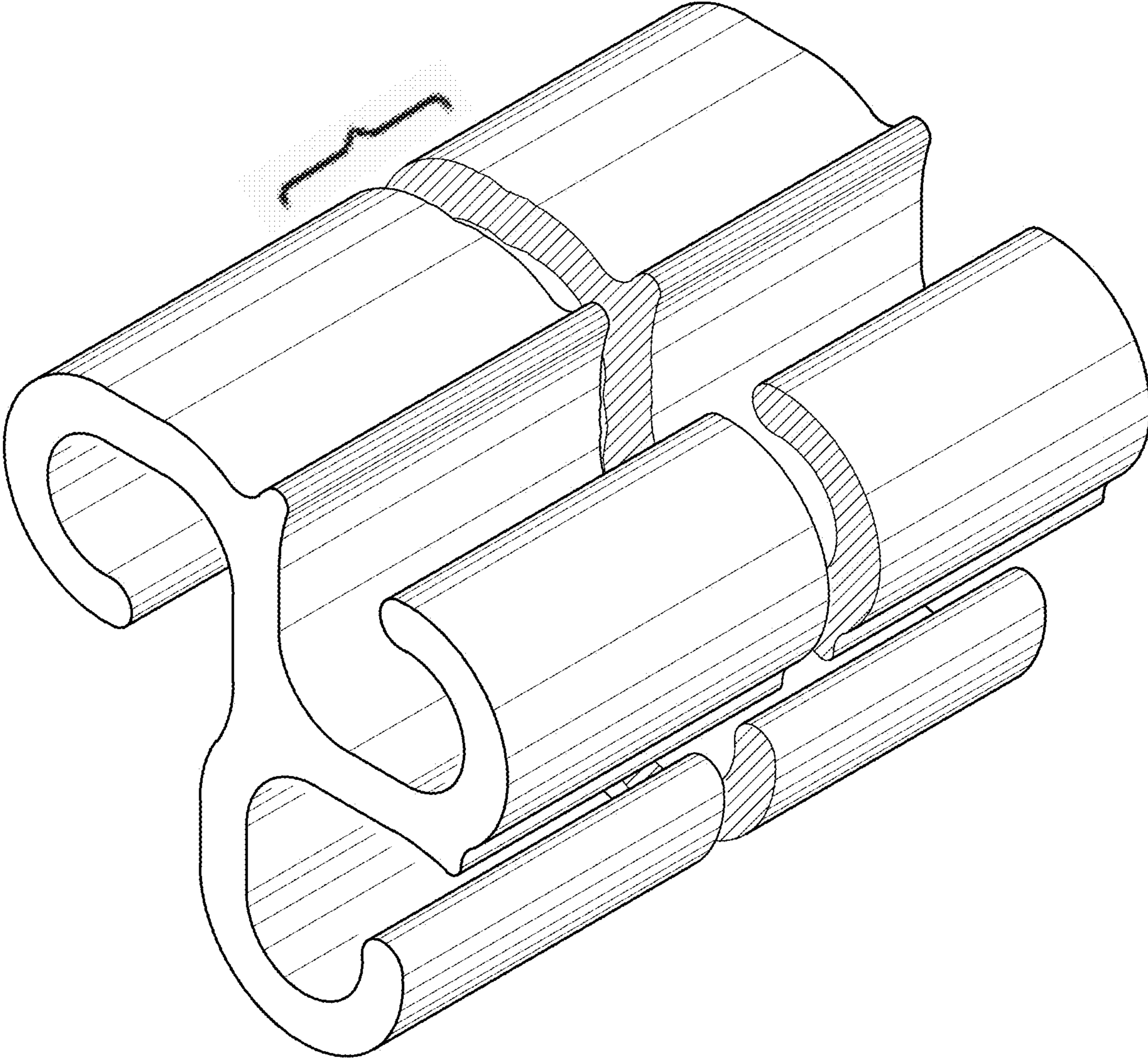


FIG. 1

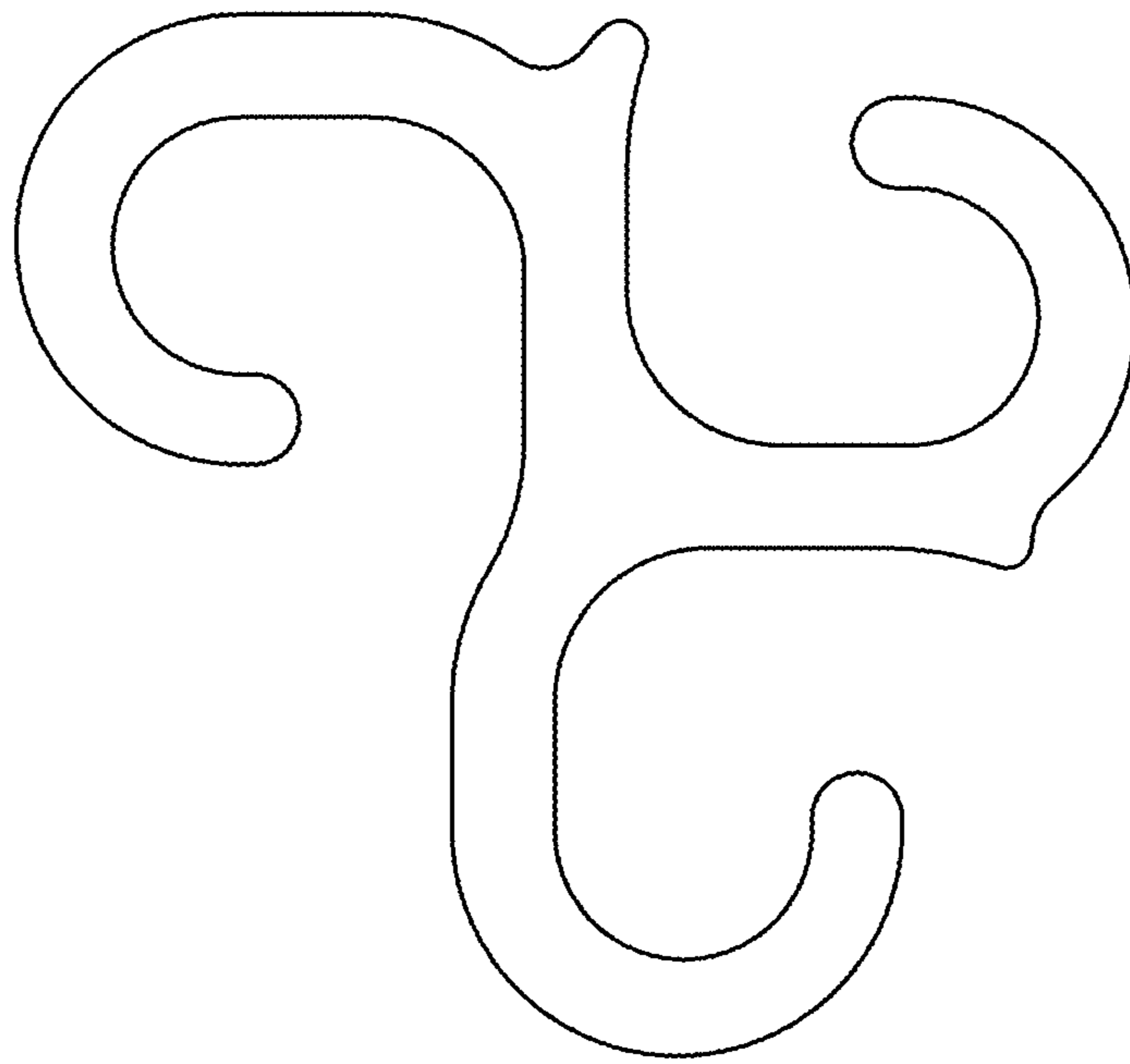


FIG. 2