



US00D893988S

(12) **United States Design Patent**
Heindl

(10) **Patent No.:** **US D893,988 S**

(45) **Date of Patent:** **** Aug. 25, 2020**

- (54) **SHEET PILE CONNECTOR**
- (71) Applicant: **Richard Heindl**, Gräfelfing (DE)
- (72) Inventor: **Richard Heindl**, Gräfelfing (DE)
- (**) Term: **15 Years**
- (21) Appl. No.: **29/683,983**
- (22) Filed: **Mar. 18, 2019**
- (30) **Foreign Application Priority Data**
 - Sep. 18, 2018 (EM) 005648011-0001
- (51) **LOC (12) Cl.** **08-08**
- (52) **U.S. Cl.**
 - USPC **D8/382**
- (58) **Field of Classification Search**
 - USPC D8/382, 394, 395; D25/119
 - CPC E02D 5/02; E02D 5/04; E02D 5/06; E02D 5/08; E02D 5/12; Y10T 403/73

See application file for complete search history.

- D541,640 S 5/2007 Heindl
- D541,641 S 5/2007 Heindl
- D541,642 S 5/2007 Heindl
- D542,634 S 5/2007 Heindl
- D542,635 S 5/2007 Heindl
- D542,636 S 5/2007 Heindl
- D542,637 S 5/2007 Heindl
- D542,638 S 5/2007 Heindl
- D542,639 S 5/2007 Heindl
- D542,640 S 5/2007 Heindl
- D542,641 S 5/2007 Heindl
- D542,643 S 5/2007 Heindl
- D543,097 S 5/2007 Heindl
- D543,098 S 5/2007 Heindl
- D543,099 S 5/2007 Heindl
- D543,100 S 5/2007 Heindl
- D543,101 S 5/2007 Heindl
- D543,444 S 5/2007 Heindl
- 7,527,456 B2 5/2009 Heindl
- D621,248 S 8/2010 Heindl
- D623,930 S 9/2010 Austro
- D623,932 S 9/2010 Austro
- D624,395 S 9/2010 Austro

(Continued)

Primary Examiner — Sandra S Snapp
Assistant Examiner — Ieisha N Price
 (74) *Attorney, Agent, or Firm* — Meunier Carlin & Curfman LLC

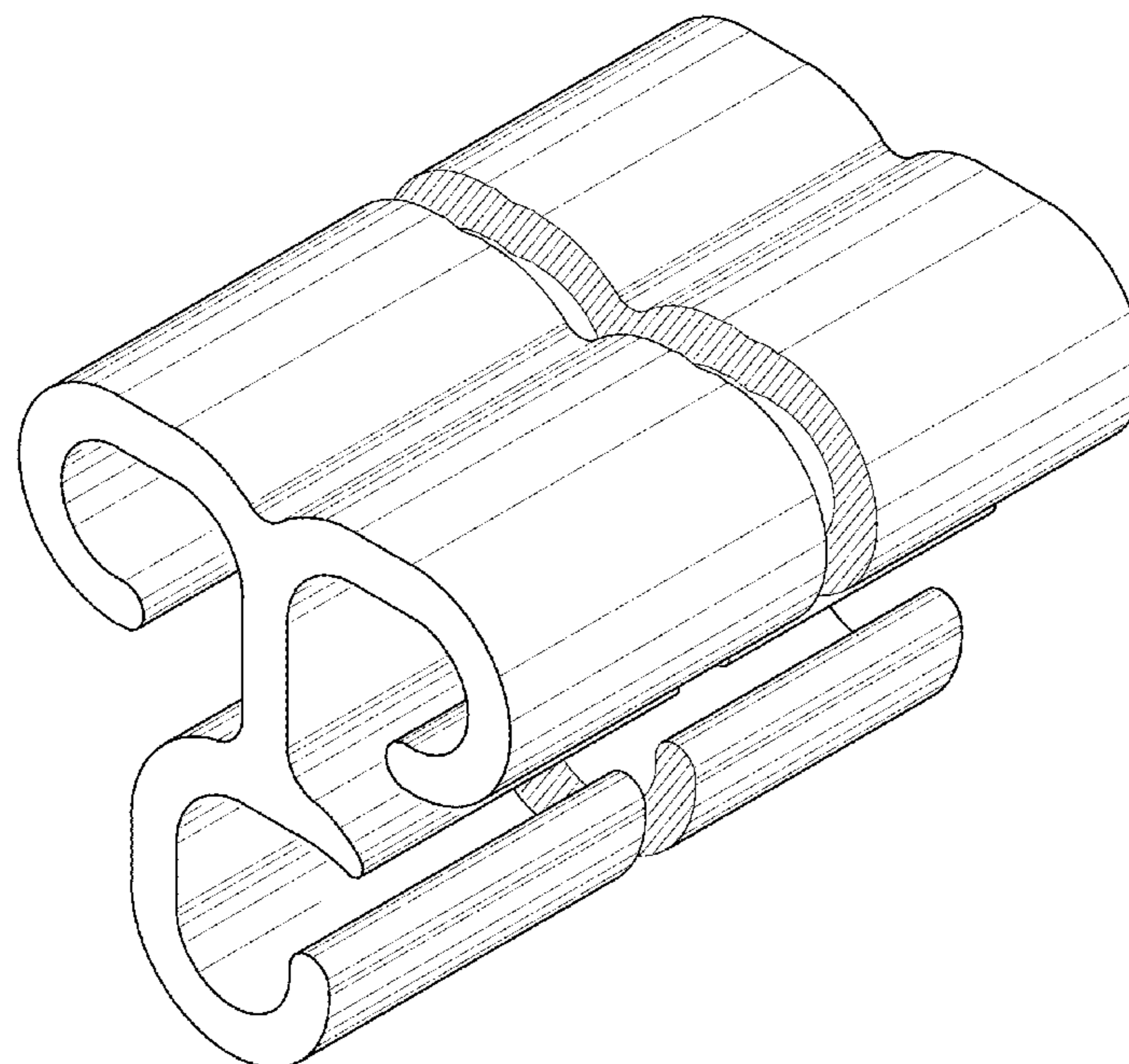
- (56) **References Cited**
 - U.S. PATENT DOCUMENTS**
 - 3,225,407 A 12/1965 Daniels et al.
 - D401,005 S 11/1998 Ludbrook et al.
 - D421,137 S 2/2000 Marshall
 - 6,428,244 B1 8/2002 Wall
 - D471,083 S 3/2003 Wall
 - D471,793 S 3/2003 Wall
 - D471,794 S 3/2003 Wall
 - D472,455 S 4/2003 Wall
 - D517,905 S 3/2006 Wall
 - D521,365 S * 5/2006 Wall D8/382
 - D540,660 S 4/2007 Heindl
 - D540,661 S 4/2007 Heindl
 - D541,639 S 5/2007 Heindl

(57) **CLAIM**
 The ornamental design for a sheet pile connector, as shown and described.

DESCRIPTION

FIG. 1 illustrates a front perspective view of my design; and, FIG. 2 illustrates a side view of the design shown in FIG. 1. The sheet pile connector is shown with a symbolic break in its length. The appearance of any portion of the article between the break lines forms no part of the claimed design.

1 Claim, 2 Drawing Sheets



(56)

References Cited

U.S. PATENT DOCUMENTS

D626,826	S	11/2010	Austro	
D626,827	S	11/2010	Austro	
D649,443	S	11/2011	Heindl	
D665,660	S	8/2012	Heindl	
D666,484	S	9/2012	Heindl	
D681,424	S	5/2013	Heindl	
D681,427	S	5/2013	Heindl	
D681,431	S	5/2013	Heindl	
D681,432	S *	5/2013	Heindl D8/382
D704,769	S	5/2014	Penington	
D790,330	S	6/2017	Heindl	
D794,245	S	8/2017	Klus	
D794,436	S *	8/2017	Heindl D8/382
D798,134	S	9/2017	Heindl	
D811,866	S	3/2018	Heindl	
D820,670	S	6/2018	Heindl	
D832,090	S *	10/2018	Heindl D8/382
D832,092	S	10/2018	Heindl	
D832,689	S	11/2018	Heindl	
D832,690	S	11/2018	Heindl	
D832,691	S	11/2018	Heindl	
D836,427	S	12/2018	Heindl	
D877,605	S *	3/2020	Zeilinger D8/394
2008/0152435	A1 *	6/2008	Heindl E02D 5/08 405/274
2008/0219776	A1	9/2008	Heindl	
2009/0311052	A1 *	12/2009	Heindl E02D 5/06 405/278
2014/0112725	A1	4/2014	Wendt	
2015/0010366	A1 *	1/2015	McShane E02D 5/02 405/279
2018/0044874	A1	2/2018	Courtright et al.	

* cited by examiner

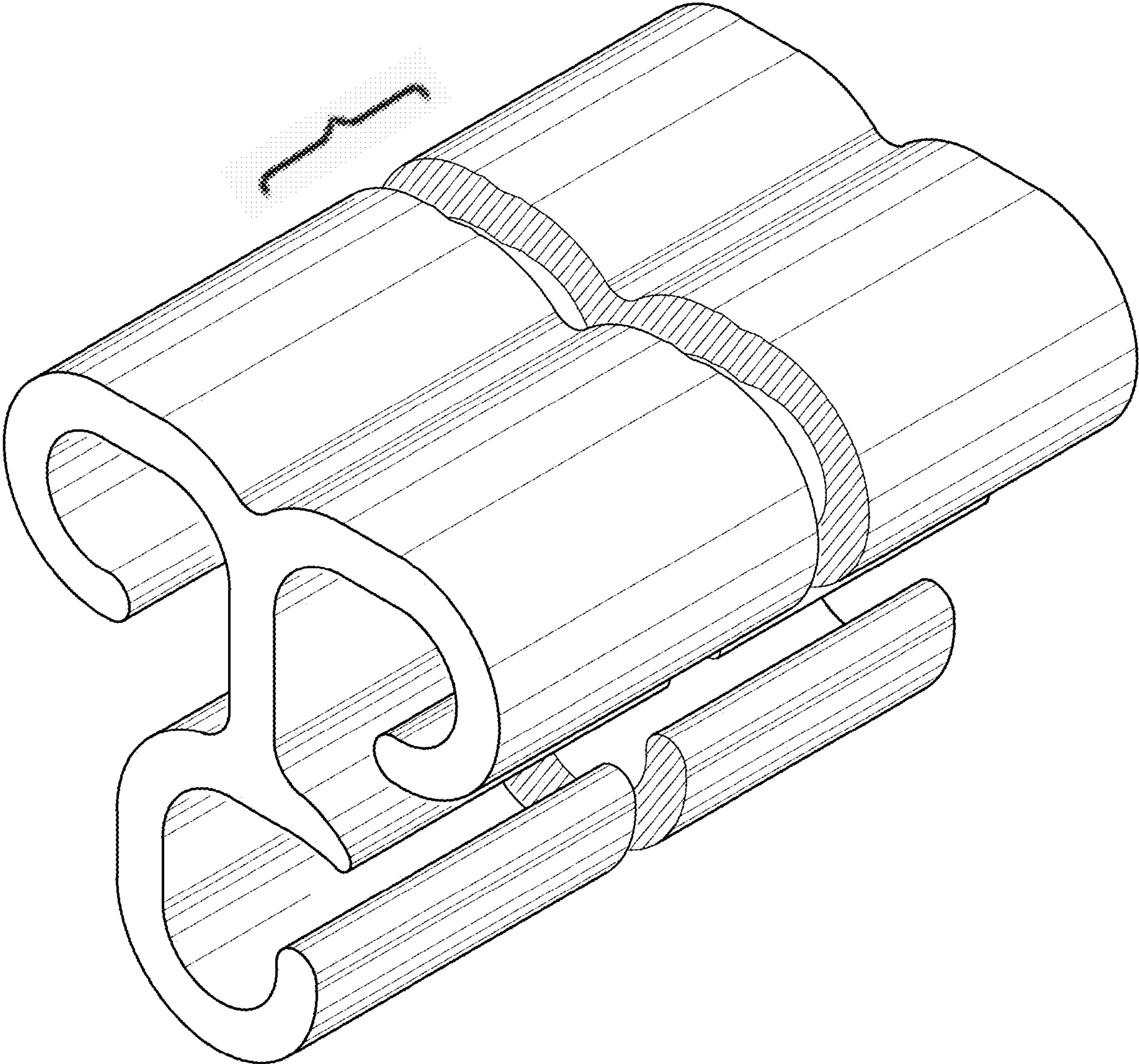


FIG. 1

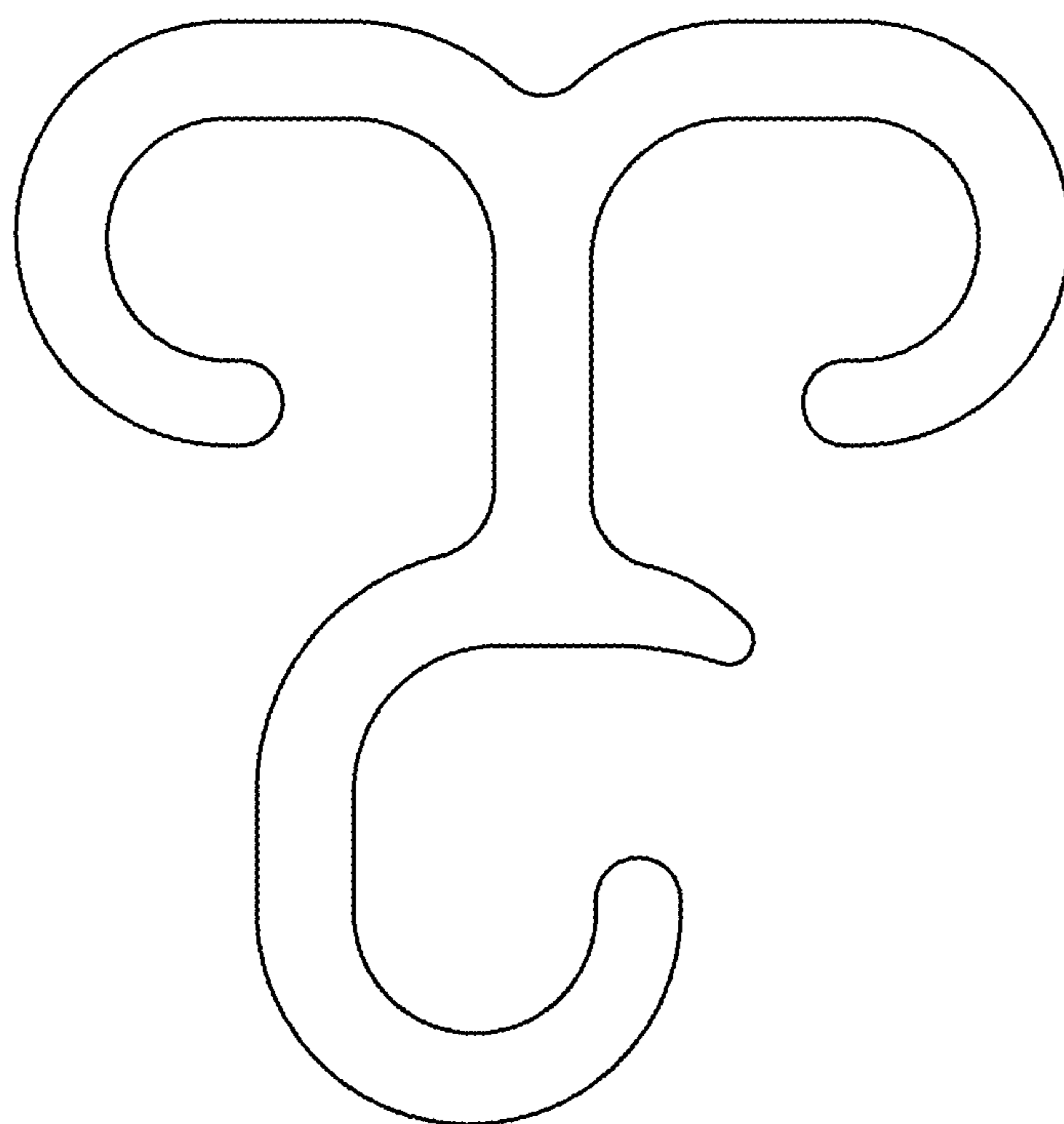


FIG. 2