

US00D893987S

(12) **United States Design Patent**
Cook

(10) **Patent No.:** **US D893,987 S**

(45) **Date of Patent:** **** Aug. 25, 2020**

- (54) **ONE PIECE FASTENER**
- (71) Applicant: **INNOVATIVE FASTENERS PTY LTD**, Ormeau (AU)
- (72) Inventor: **Danien Cook**, Ormeau (AU)
- (73) Assignee: **INNOVATIVE FASTENERS PTY LTD.**, Ormeau, Queensland (AU)
- (**) Term: **15 Years**
- (21) Appl. No.: **29/670,164**
- (22) Filed: **Nov. 14, 2018**
- (51) **LOC (12) Cl.** **08-08**
- (52) **U.S. Cl.**
USPC **D8/382**
- (58) **Field of Classification Search**
USPC D8/385, 387, 388, 389, 390, 391, 393
CPC F16B 23/0007; F16B 23/0015; F16B 23/0023; F16B 23/003; F16B 23/0038; F16B 23/0046; F16B 23/00; F16B 23/0092; F16B 23/0084; F16B 25/0036; F16B 25/0042; F16B 25/0015; F16B 25/0021; F16B 25/0026; F16B 25/0031; F16B 25/0047; F16B 25/001; F16B 25/00; F16B 27/00; F16B 33/00; F16B 33/02; F16B 35/048; B21H 3/02; B21H 3/027; B21K 1/46; Y10S 411/914
See application file for complete search history.

- 1,830,787 A * 11/1931 Ferry B21K 1/704 411/429
- 1,988,926 A * 1/1935 Thomson F16B 33/004 470/11
- 2,076,041 A * 4/1937 Payne F16B 25/0021 411/410
- 3,079,968 A * 3/1963 Buckley F16B 25/0052 411/304
- 3,286,579 A * 11/1966 Lovisek F16B 25/0047 411/386
- 3,357,295 A * 12/1967 Smith F16B 25/106 411/386
- 3,955,231 A * 5/1976 Erdmann B21D 53/00 470/21
- 3,978,758 A * 9/1976 Bright B21K 1/46 411/397
- D248,014 S * 5/1978 DeCaro 411/405
- D249,227 S * 9/1978 Ismert, III D8/387

(Continued)

Primary Examiner — Sandra S Snapp
Assistant Examiner — Ieisha N Price
 (74) *Attorney, Agent, or Firm* — Stephen T. Olson;
 Harness, Dickey & Pierce, P.L.C.

(57) **CLAIM**

The ornamental design for a one piece fastener, as shown and described.

DESCRIPTION

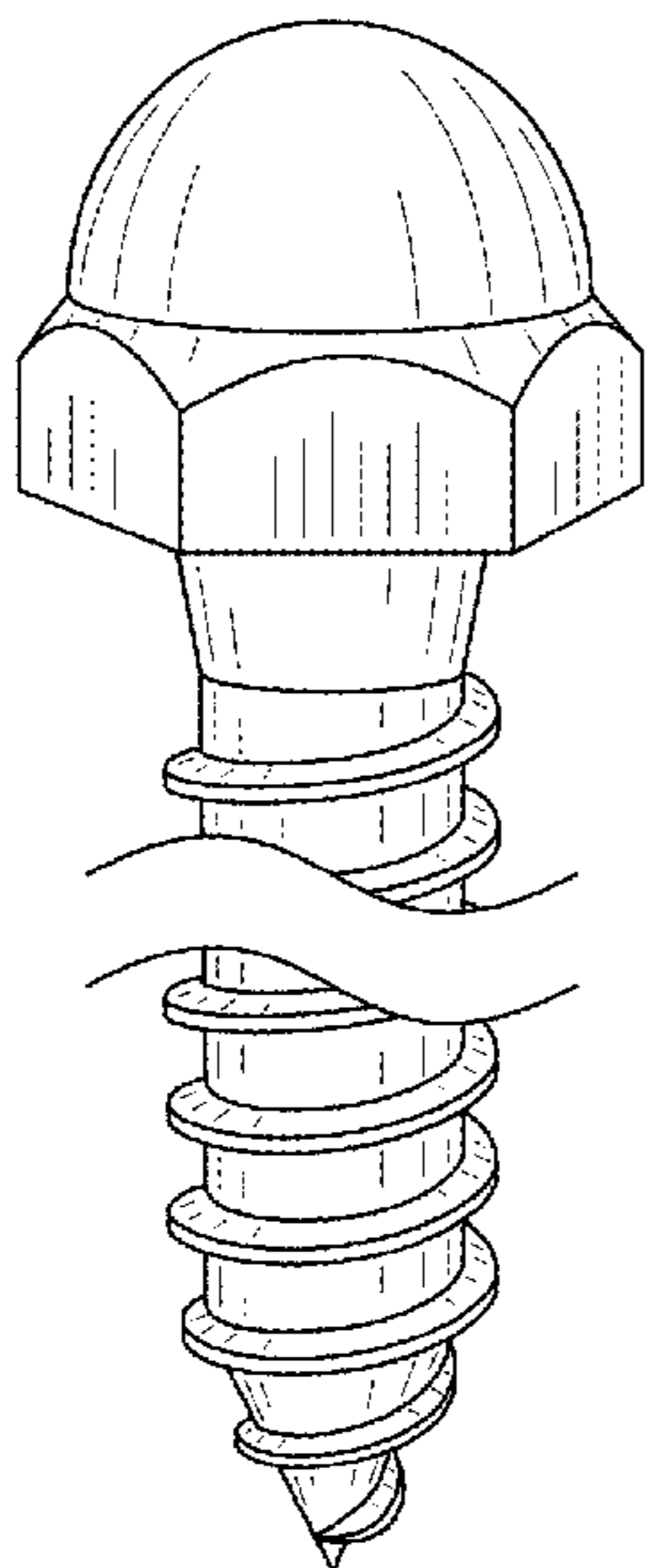
FIG. 1 is a perspective view of a one piece fastener in accordance with my design.
 FIG. 2 is a front side view thereof.
 FIG. 3 is a right side view thereof.
 FIG. 4 is a top view thereof; and,
 FIG. 5 is a bottom view thereof.
 It will be understood that the thread of the one piece fastener uniformly spirals along the length of the shaft.
 The one piece fastener is shown with a symbolic break in its length. The appearance of any portion of the article between the break lines forms no part of the claimed design.

1 Claim, 3 Drawing Sheets

(56) **References Cited**

U.S. PATENT DOCUMENTS

- 66,234 A * 7/1867 Grilley B21K 1/00 470/6
- 755,804 A * 3/1904 Smith F16B 23/00 411/402
- 1,829,972 A * 11/1931 Wiley B21K 1/704 470/24



(56)

References Cited

U.S. PATENT DOCUMENTS

4,518,294 A * 5/1985 Barth F16B 39/282
411/187
4,705,441 A * 11/1987 Arnold F16B 39/282
411/188
4,744,119 A * 5/1988 Omori F16B 37/14
470/24
D363,878 S * 11/1995 Hayabusa D8/387
5,919,020 A * 7/1999 Walther F16B 5/0275
411/368
D416,787 S * 11/1999 Mensour D8/387
D422,202 S * 4/2000 Maki D8/387
6,045,312 A * 4/2000 Hsing F16B 25/0021
411/399
6,186,719 B1 * 2/2001 Chou F16B 37/14
411/303
D469,006 S * 1/2003 Monson D8/387
9,044,843 B1 * 6/2015 Mokhtee B25B 15/004
D787,924 S * 5/2017 Baiz D8/387
D792,201 S * 7/2017 Baiz D8/387
D847,595 S * 5/2019 Hampton D8/14
D870,545 S * 12/2019 Hill F16B 37/14
D8/387
2004/0120792 A1 * 6/2004 Winter F16B 35/048
411/411
2007/0183865 A1 * 8/2007 Severns F16B 5/0275
411/387.1
2008/0145182 A1 * 6/2008 Gstach F16B 25/00
411/403
2012/0257945 A1 * 10/2012 Phua F16B 25/0047
411/311
2016/0327081 A1 * 11/2016 Mair E04C 2/46
2016/0341236 A1 * 11/2016 Mair F16B 25/0063
2019/0368529 A1 * 12/2019 Mair F16B 5/0275

* cited by examiner

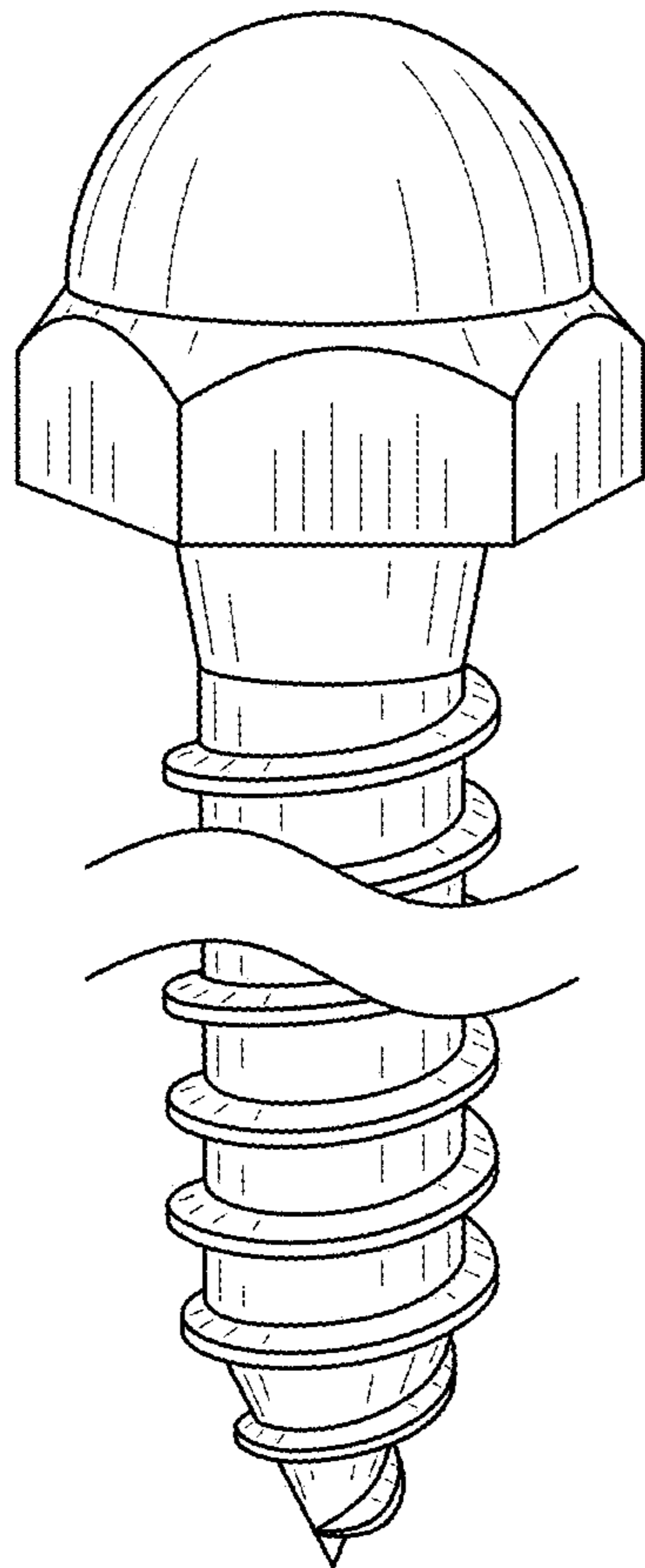


FIG. 1

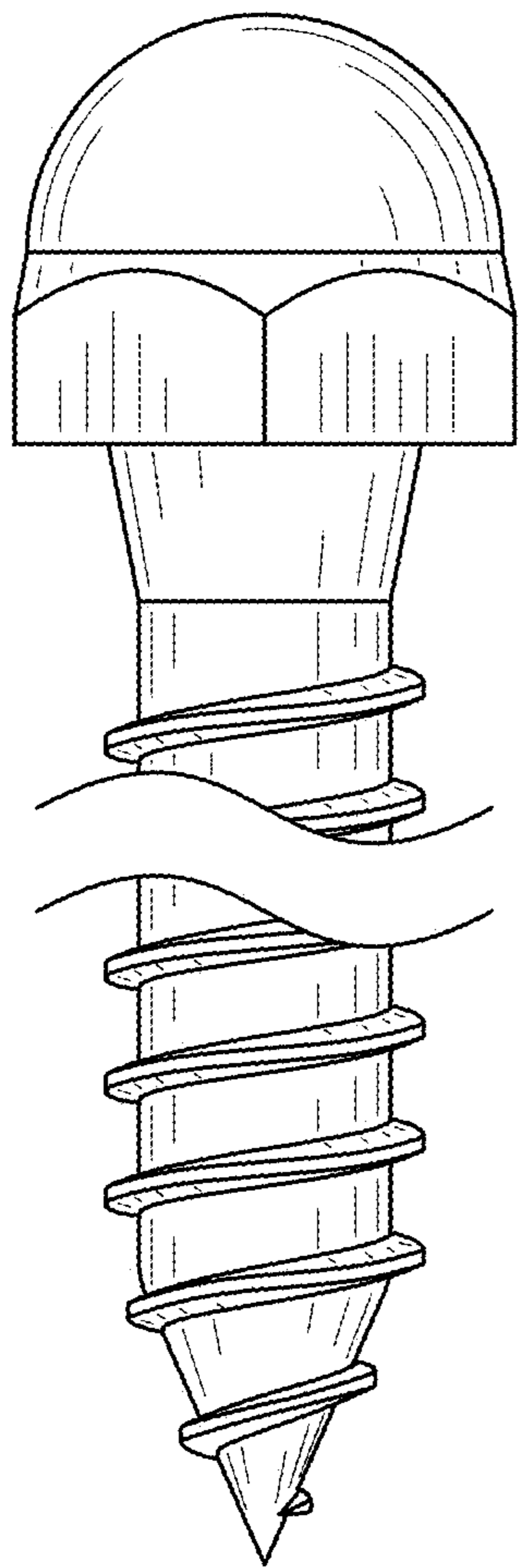


FIG. 2

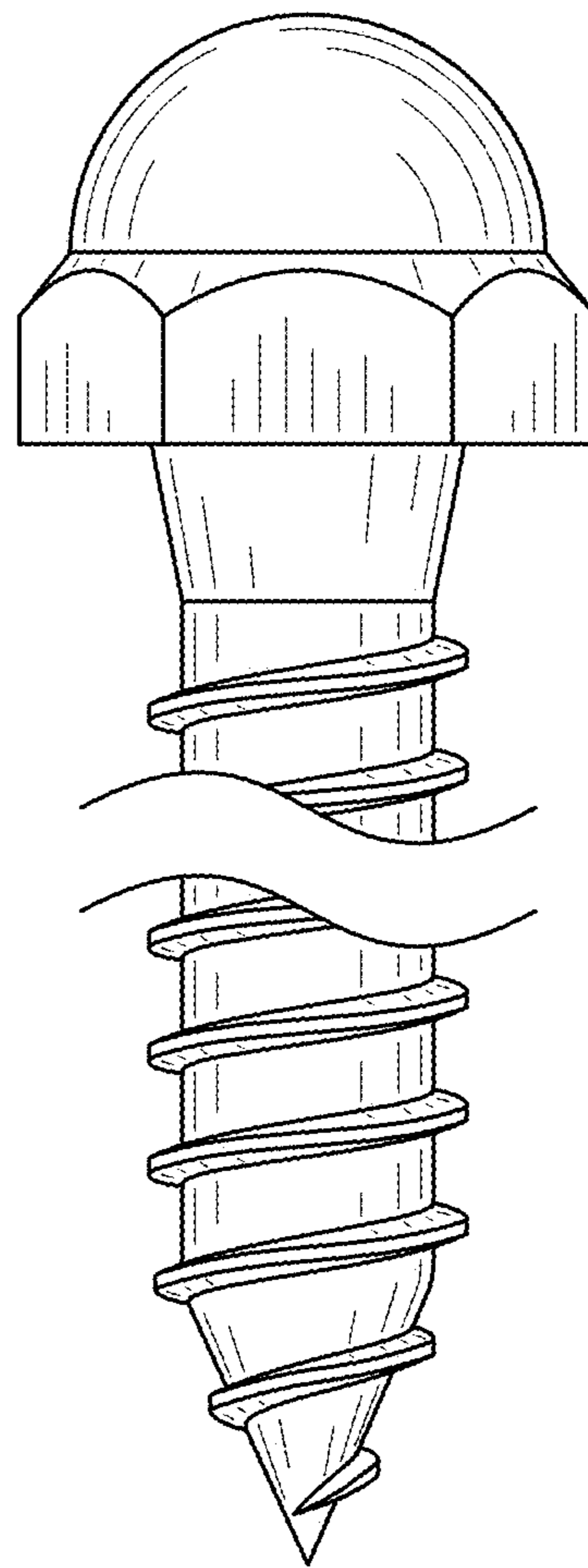


FIG. 3

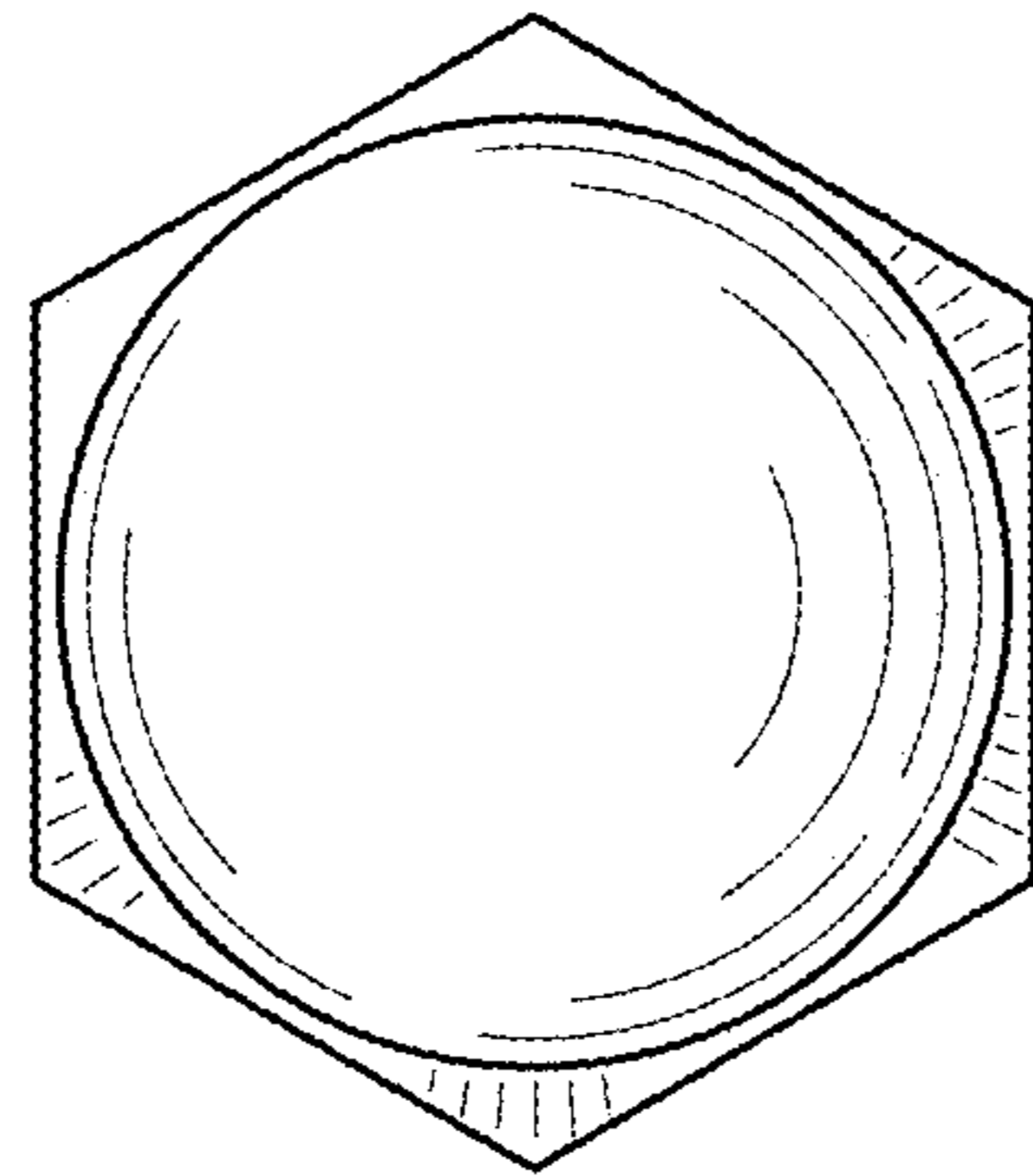


FIG. 4

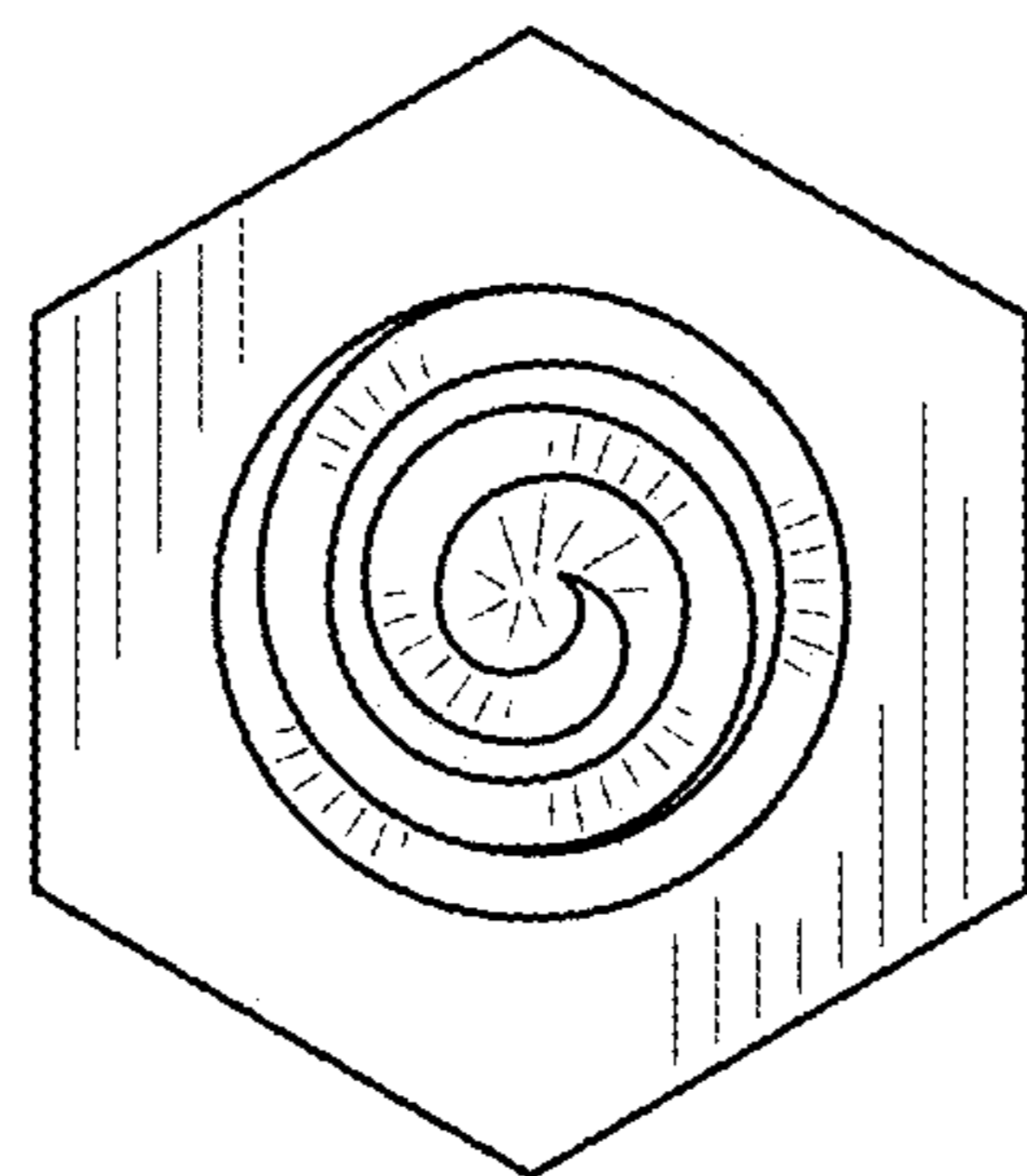


FIG. 5