



US00D893986S

(12) **United States Design Patent**
Adelman

(10) **Patent No.:** **US D893,986 S**

(45) **Date of Patent:** **** Aug. 25, 2020**

- (54) **HOOK**
- (71) Applicant: **Greyfin LLC**, Boulder, CO (US)
- (72) Inventor: **Gregory Marc Adelman**, Boulder, CO (US)
- (73) Assignee: **Greyfin LLC**, Boulder, CO (US)
- (**) Term: **15 Years**
- (21) Appl. No.: **29/711,949**
- (22) Filed: **Nov. 4, 2019**

- 6,457,218 B1 10/2002 Lawrence
- 6,543,737 B2 4/2003 Decker et al.
- D478,499 S 8/2003 Winig et al.
- D494,050 S 8/2004 Klein et al.
- 7,234,671 B2 6/2007 Avinger
- D584,939 S 1/2009 Snell
- D597,666 S 8/2009 George et al.
- D605,934 S 12/2009 Mirer et al.
- D613,589 S 4/2010 Goodman et al.
- 7,992,833 B1 8/2011 Goodman et al.
- D694,613 S 12/2013 Miles
- D697,785 S 1/2014 Davis
- 8,672,002 B2 3/2014 Stein
- D714,626 S 10/2014 Trifari, Jr.
- D721,264 S 1/2015 Babicki

(Continued)

Related U.S. Application Data

- (63) Continuation of application No. 29/645,969, filed on Apr. 30, 2018, now Pat. No. Des. 865,494.
- (51) **LOC (12) Cl.** **08-05**
- (52) **U.S. Cl.**
USPC **D8/367**
- (58) **Field of Classification Search**
USPC D8/367, 354, 349
CPC A45F 5/021; A44B 13/0029; F16B 45/00;
F16M 13/02
See application file for complete search history.

References Cited

U.S. PATENT DOCUMENTS

- 2,284,029 A 5/1942 Welling
- 2,453,392 A 11/1948 Williams
- 3,089,597 A 5/1963 Kaplan
- D216,359 S * 12/1969 Feuerer D8/367
- 3,585,674 A 6/1971 Golden
- D342,889 S 1/1994 Adams
- D363,453 S 10/1995 Herdt
- D373,526 S 9/1996 Roethler
- D391,146 S 2/1998 Cutler
- 5,738,319 A 4/1998 Grassi
- 5,970,777 A 10/1999 Hunt et al.

OTHER PUBLICATIONS

Huckberry, "The Hook," (<https://huckberry.com/store/the-james-brand/category/p/45735-the-hook>), retrieved Apr. 5, 2018, 12 Pages.

(Continued)

Primary Examiner — Cynthia R Underwood
(74) *Attorney, Agent, or Firm* — Sterne, Kessler, Goldstein & Fox P.L.L.C.

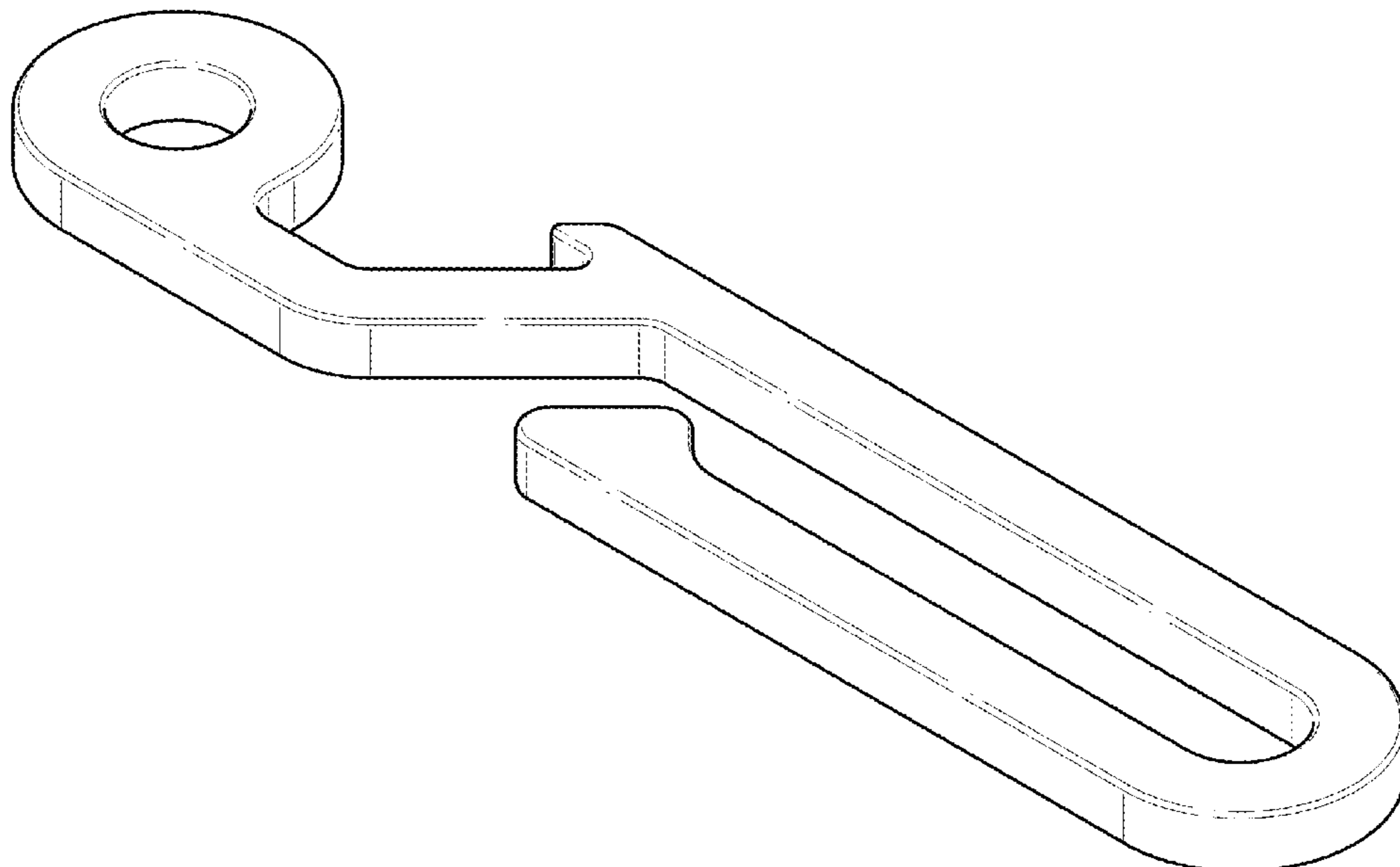
(57) **CLAIM**

The ornamental design for a hook, as shown and described.

DESCRIPTION

FIG. 1 is a bottom front perspective view of a hook showing the claimed design;
FIG. 2 is a front view thereof;
FIG. 3 is a rear view thereof;
FIG. 4 is a left side view thereof;
FIG. 5 is a right side view thereof;
FIG. 6 is a top view thereof; and,
FIG. 7 is a bottom view thereof.

1 Claim, 3 Drawing Sheets



(56)

References Cited

U.S. PATENT DOCUMENTS

D746,127	S	12/2015	Cohen	
D757,513	S	5/2016	Heins	
9,375,074	B2	6/2016	Moreau et al.	
D766,707	S	9/2016	Greenleaf	
9,433,261	B1	9/2016	Miles	
D773,041	S	11/2016	Lentsch	
D784,044	S	4/2017	Sokoly	
D802,399	S	11/2017	Ward	
D819,431	S	6/2018	Goodman et al.	
D827,315	S	9/2018	Taylor et al.	
D834,338	S	11/2018	Taylor et al.	
10,130,203	B2	11/2018	Yoo	
D837,040	S	1/2019	Connor et al.	
D840,791	S	2/2019	Caudle et al.	
D844,782	S	4/2019	Arora	
D849,516	S	5/2019	Johnson	
D850,244	S	6/2019	Goodman et al.	
D865,494	S *	11/2019	Adelman	D8/367
D871,897	S *	1/2020	Wellington	D8/367
D873,120	S *	1/2020	Couvion	D8/367
D878,910	S *	3/2020	O'Neill	D8/367
D885,873	S *	6/2020	Deng	D8/367
2004/0178240	A1	9/2004	Bauer	
2015/0150389	A1	6/2015	Nilsson	

OTHER PUBLICATIONS

Catherine. "Week In Review ~ Apr. 9," Carryology, dated Apr. 9, 2017 (Retrieved from the Internet Feb. 13, 2020). Internet URL: <<https://www.carryology.com/liking/weekinreview/week-in-review-9-april/>>.

* cited by examiner

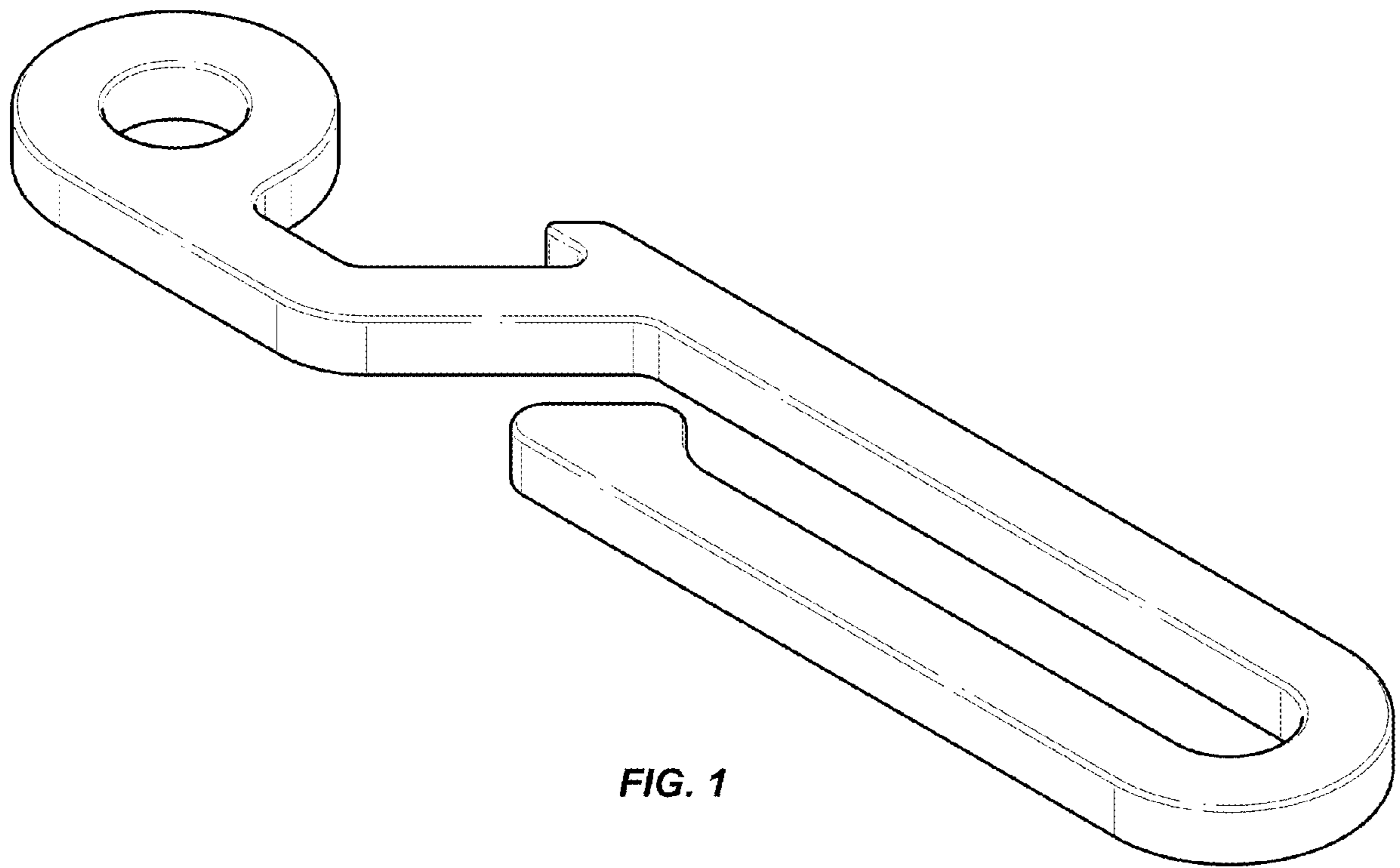


FIG. 1

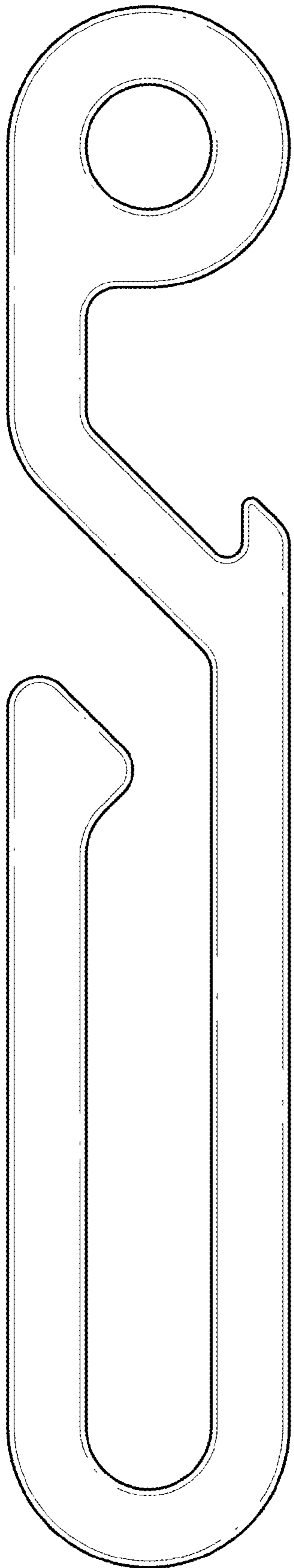


FIG. 2

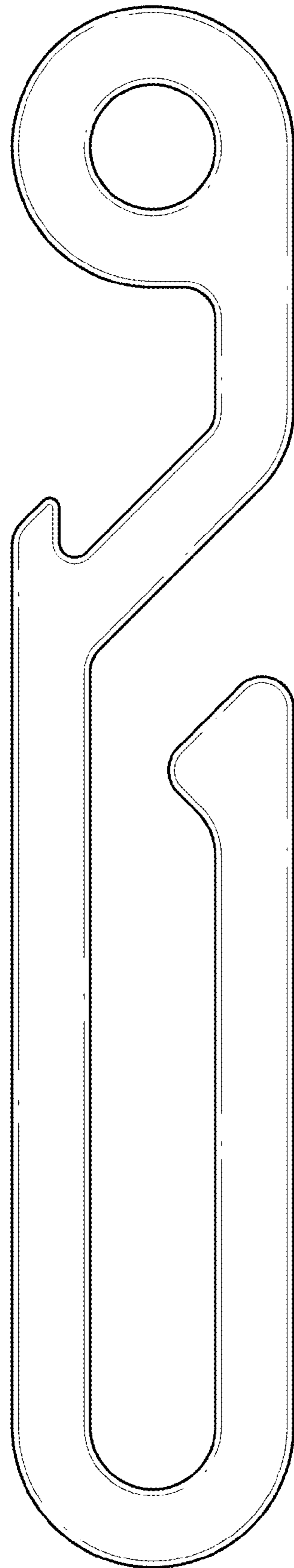


FIG. 3

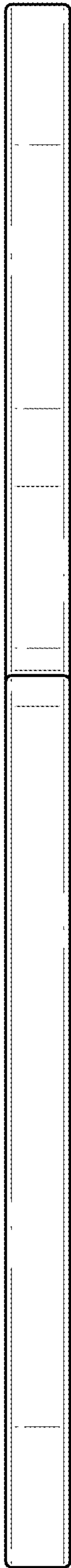


FIG. 4

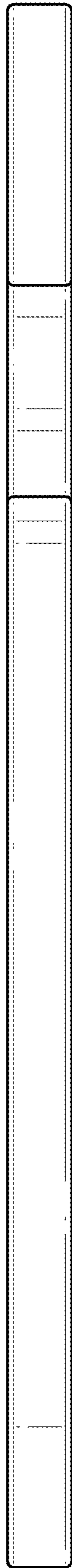


FIG. 5

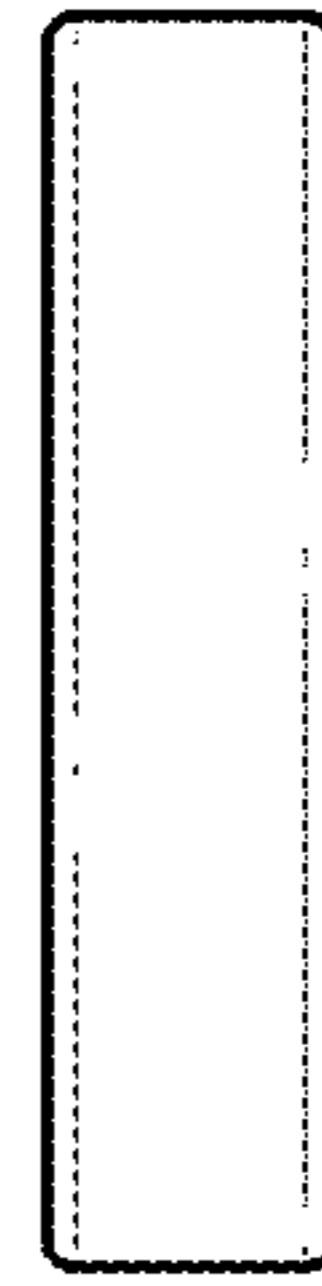


FIG. 6

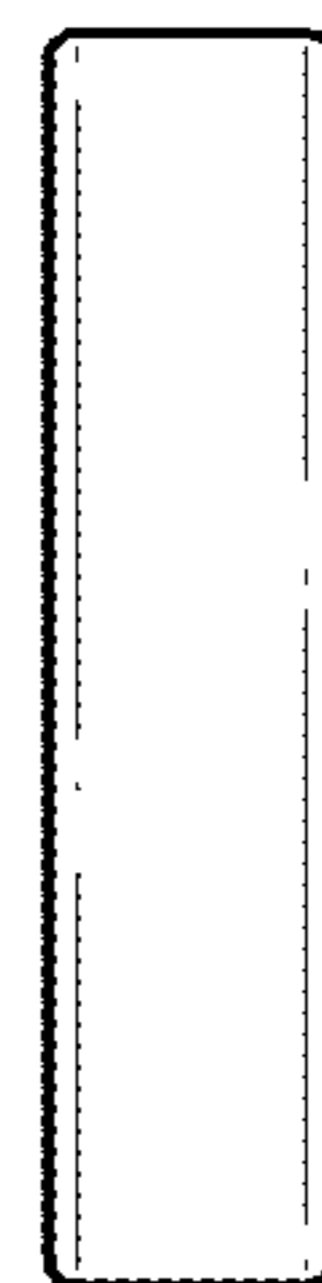


FIG. 7