



US00D893984S

(12) **United States Design Patent**
Rateliff

(10) **Patent No.:** **US D893,984 S**

(45) **Date of Patent:** **** Aug. 25, 2020**

(54) **HANGING DEVICE**

(71) Applicant: **Morgan Rateliff**, Lampass, TX (US)

(72) Inventor: **Morgan Rateliff**, Lampass, TX (US)

(**) Term: **15 Years**

(21) Appl. No.: **29/680,829**

(22) Filed: **Feb. 20, 2019**

(51) **LOC (12) Cl.** **09-05**

(52) **U.S. Cl.**
USPC **D8/367; D8/356; D8/397**

(58) **Field of Classification Search**
USPC **D8/360, 356, 354, 349, 367, 373, 397;**
D30/139; D11/218; 24/129 R; 254/390
See application file for complete search history.

(56) **References Cited**

U.S. PATENT DOCUMENTS

4,025,014	A *	5/1977	Larson	E05B 73/0005 248/552
6,484,888	B2 *	11/2002	Miller	B62H 3/12 211/5
D481,297	S *	10/2003	Read	D8/373
7,077,612	B1 *	7/2006	Diggle, III	A63B 27/00 248/303
D549,074	S *	8/2007	Devine	D8/331
D638,695	S *	5/2011	Woodrow	D8/382
8,057,147	B2 *	11/2011	Ernst	F16B 13/002 411/387.1
D769,705	S *	10/2016	Moreau	D11/201
D781,175	S *	3/2017	Jankowski	D11/200
D806,778	S *	1/2018	Martin	D16/237

* cited by examiner

Primary Examiner — Cynthia R Underwood

(74) *Attorney, Agent, or Firm* — Pierson Intellectual Property LLC

(57) **CLAIM**

The ornamental design for a hanging device, as shown and described.

DESCRIPTION

FIG. 1 is a perspective view of a first embodiment of a hanging device showing part of our new design thereof; FIG. 2 is a front view of the hanging device shown in FIG. 1; FIG. 3 is a rear view of the hanging device shown in FIG. 1; FIG. 4 is a first side view of the hanging device shown in FIG. 1; FIG. 5 is a second side view of the hanging device shown in FIG. 1; FIG. 6 is a top view of the hanging device shown in FIG. 1; FIG. 7 is a bottom view of hanging device shown in FIG. 1; FIG. 8 is a front view of the hanging device shown in FIG. 1; FIG. 9 is a perspective view of a second embodiment of a hanging device showing part of our new design thereof; FIG. 10 is a front view of the hanging device shown in FIG. 9; FIG. 11 is a rear view of the hanging device shown in FIG. 9; FIG. 12 is a first side view of the hanging device shown in FIG. 9; FIG. 13 is a second side view of the hanging device shown in FIG. 9; FIG. 14 is a top view of the hanging device shown in FIG. 9; FIG. 15 is a bottom view of the hanging device shown in FIG. 9; and, FIG. 16 is a perspective view of the hanging device shown in FIG. 9.

1 Claim, 10 Drawing Sheets

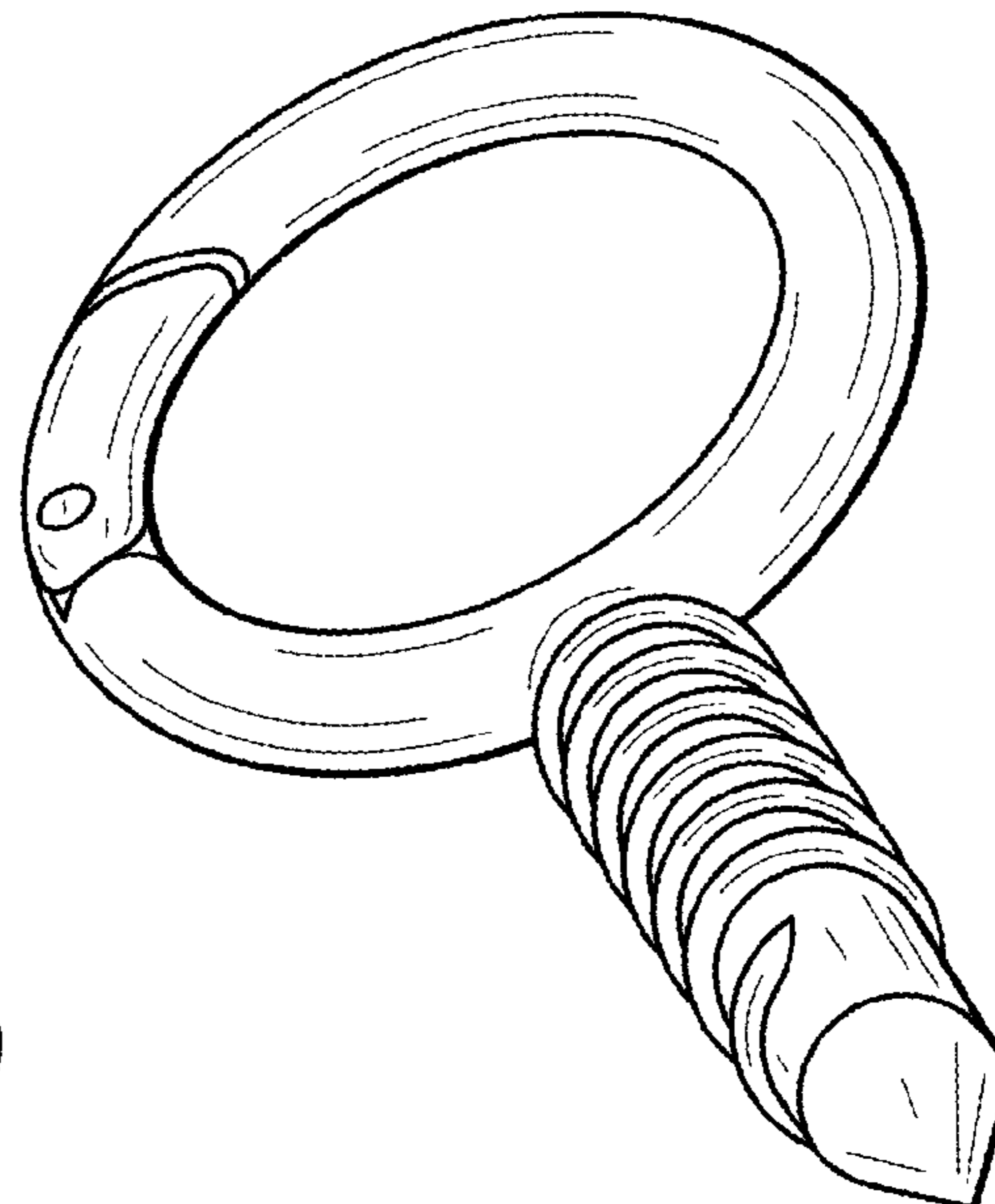
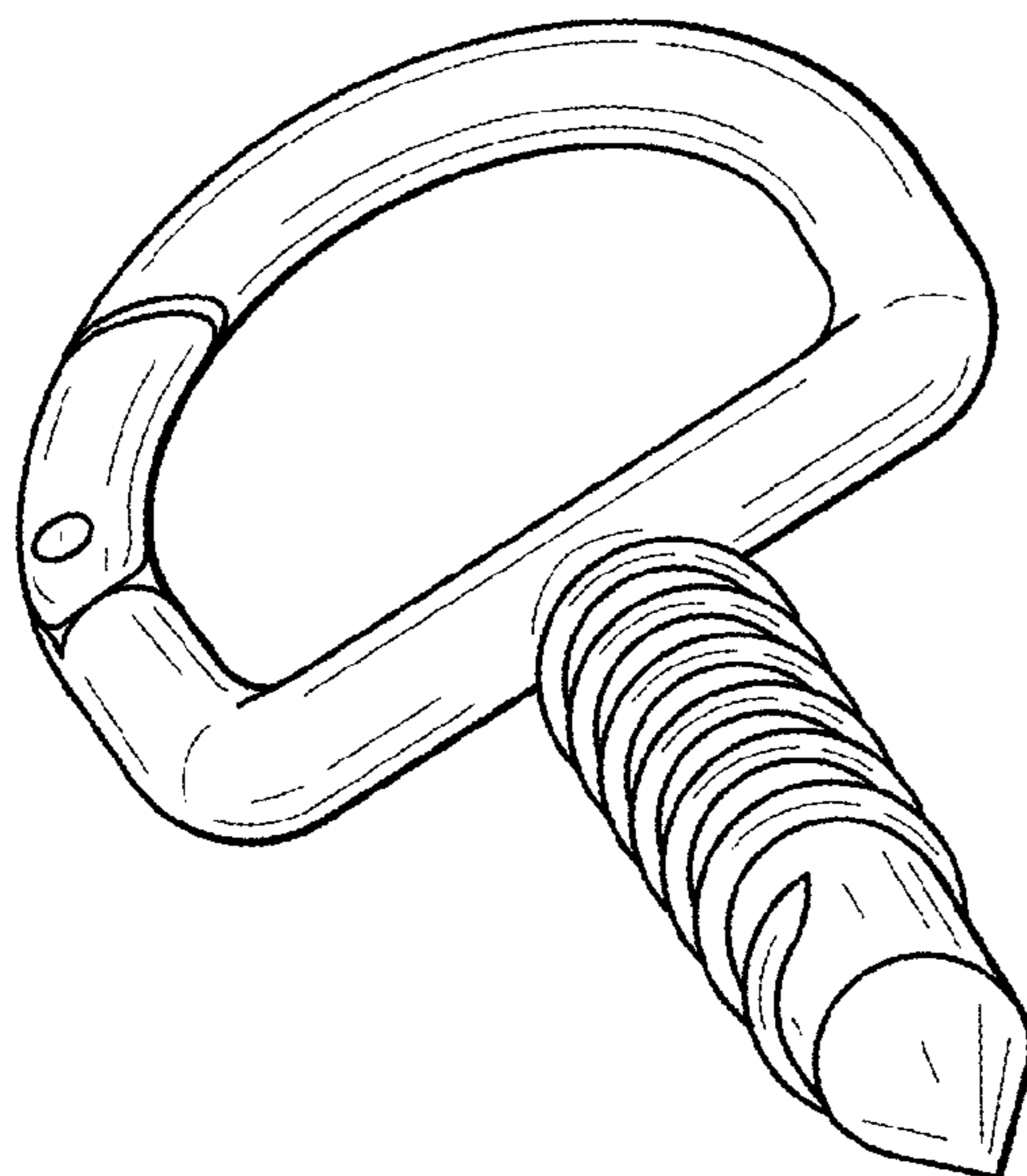


FIG. 1

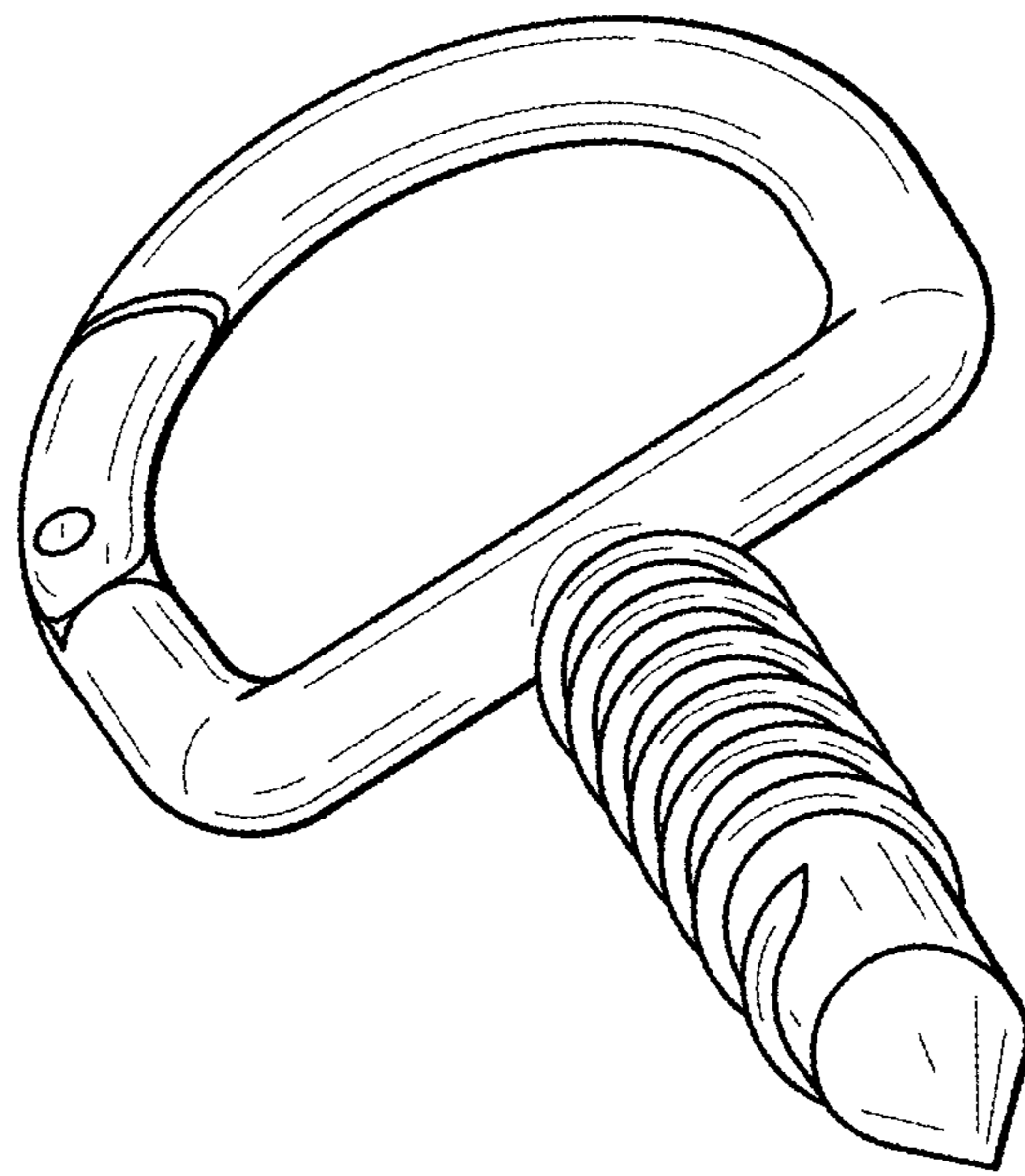


FIG. 2

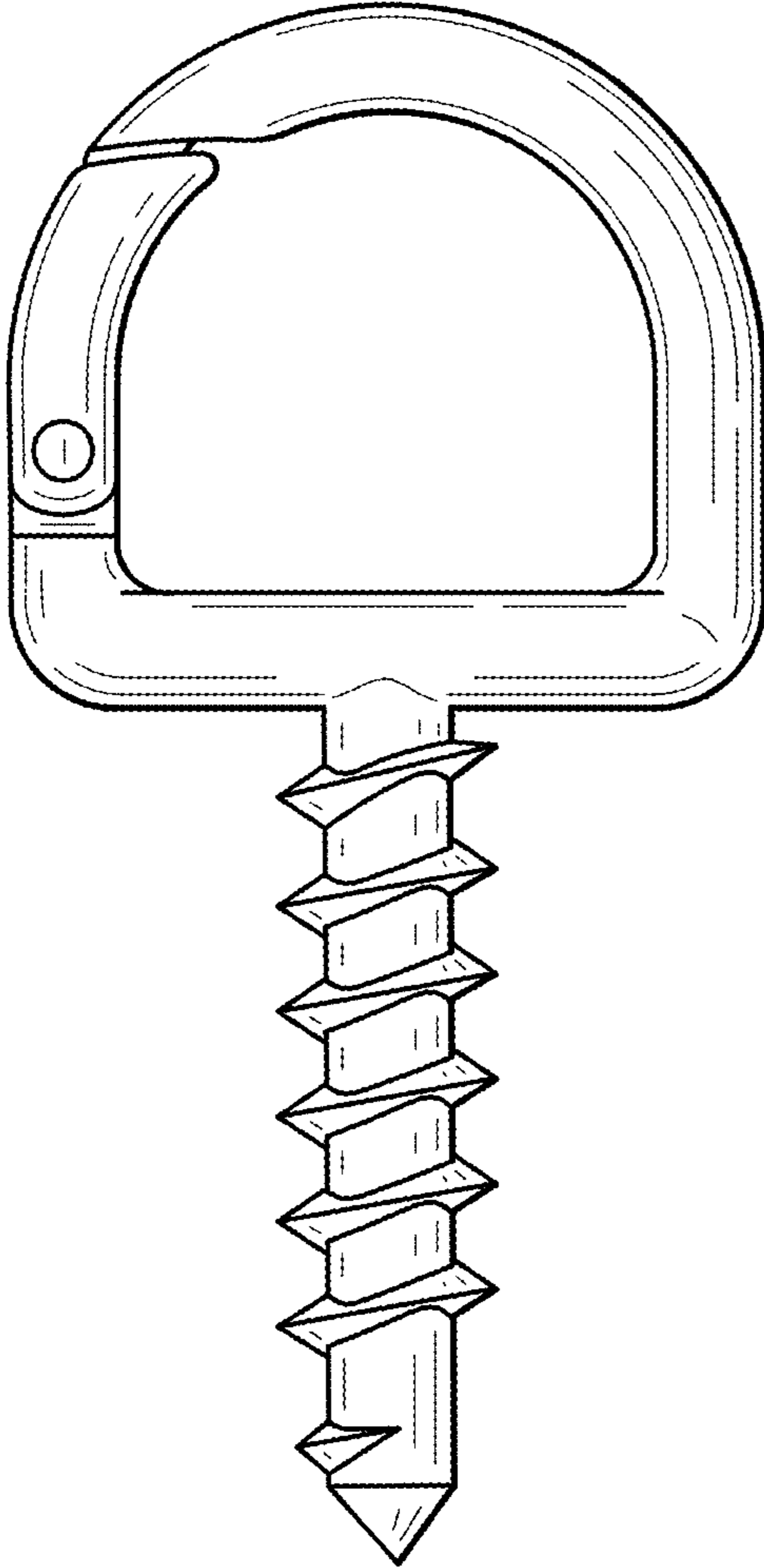


FIG. 3

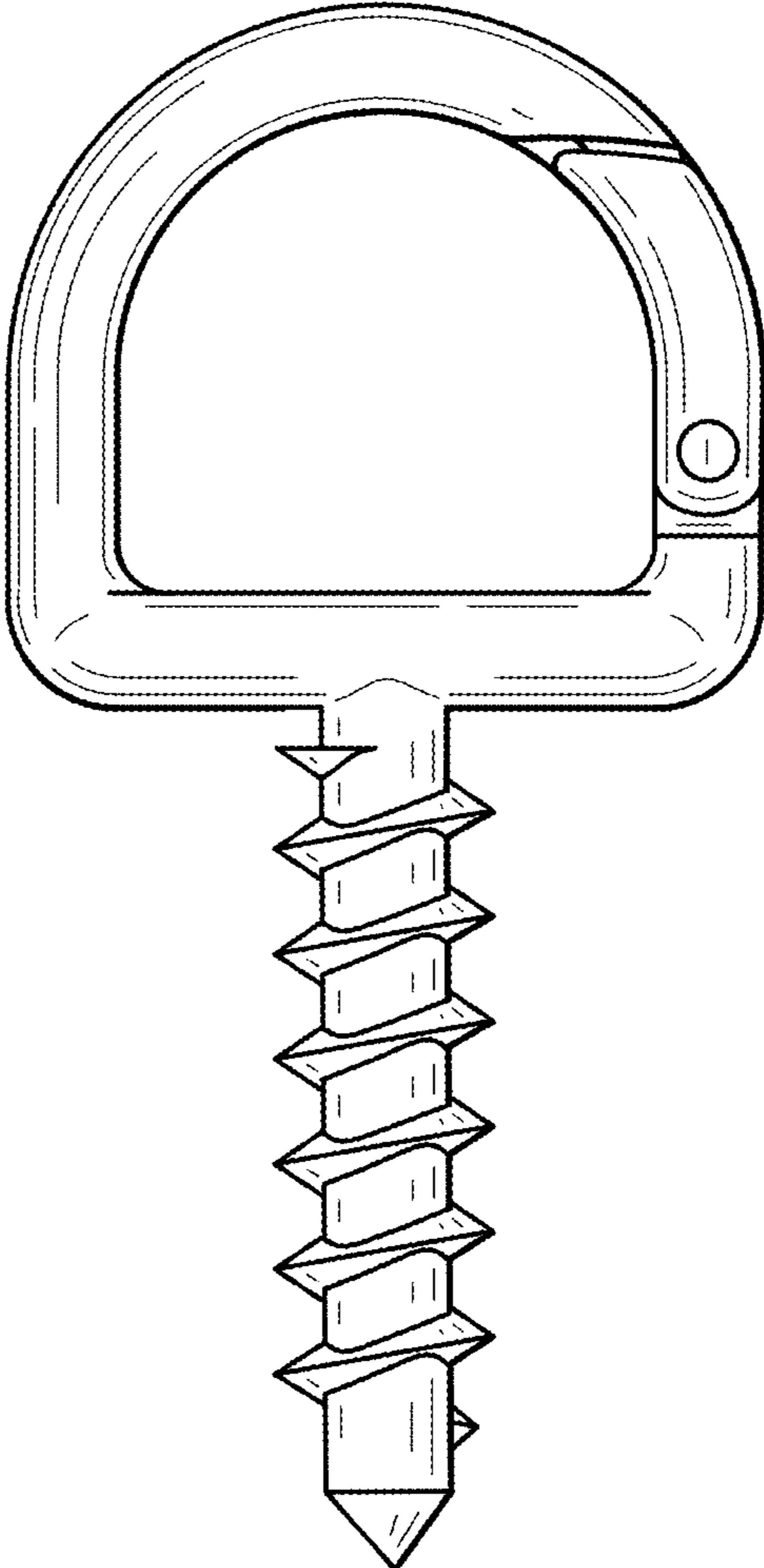


FIG. 4

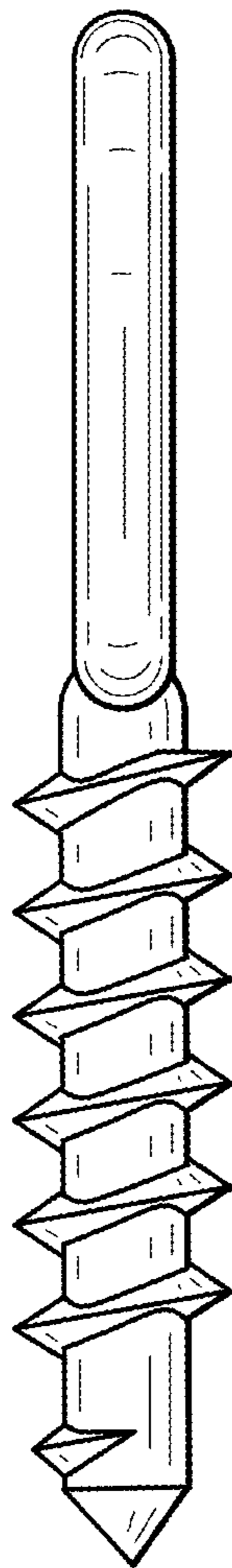


FIG. 5

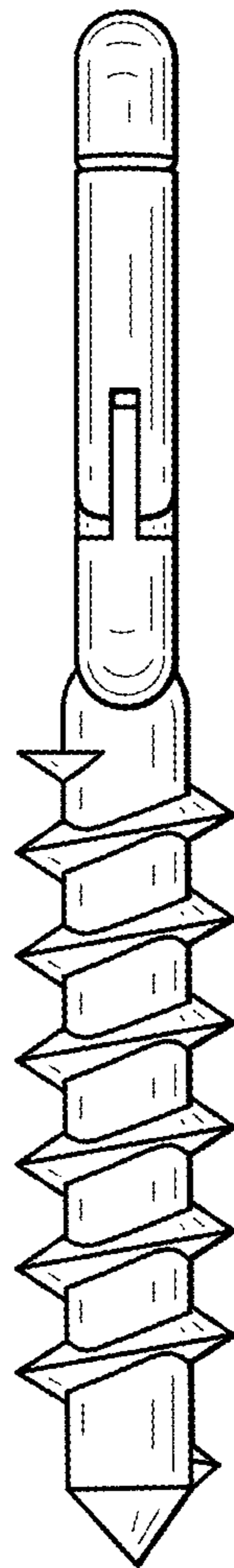


FIG. 6

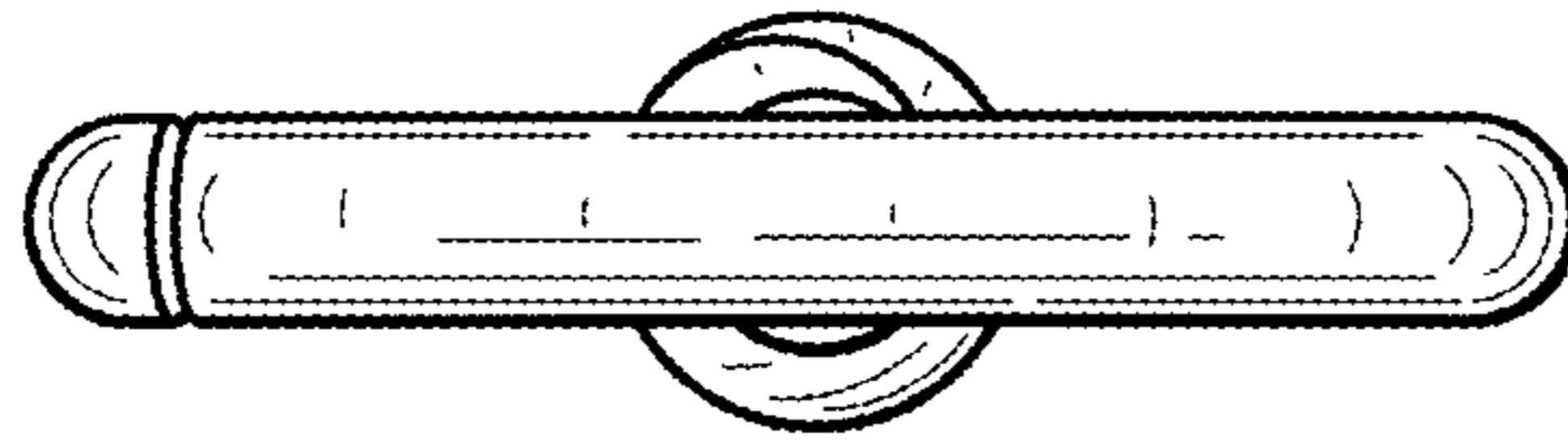


FIG. 7

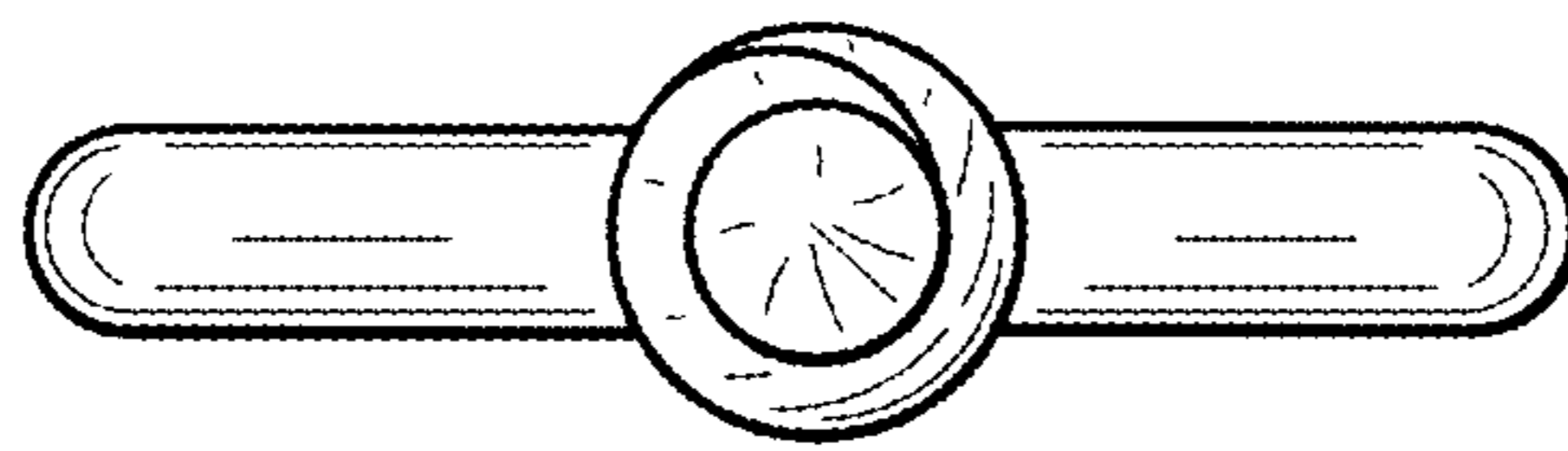


FIG. 8

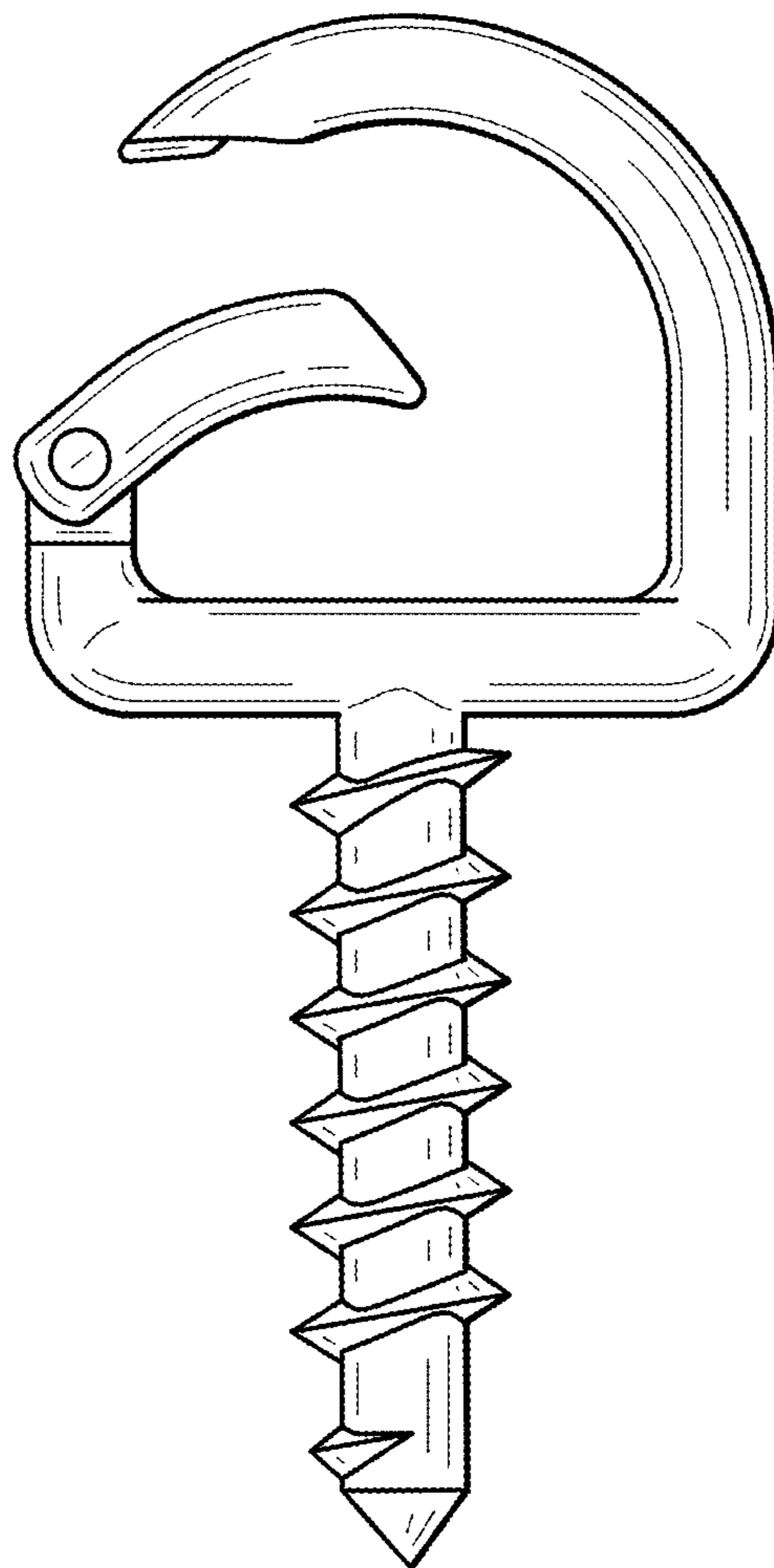


FIG. 9

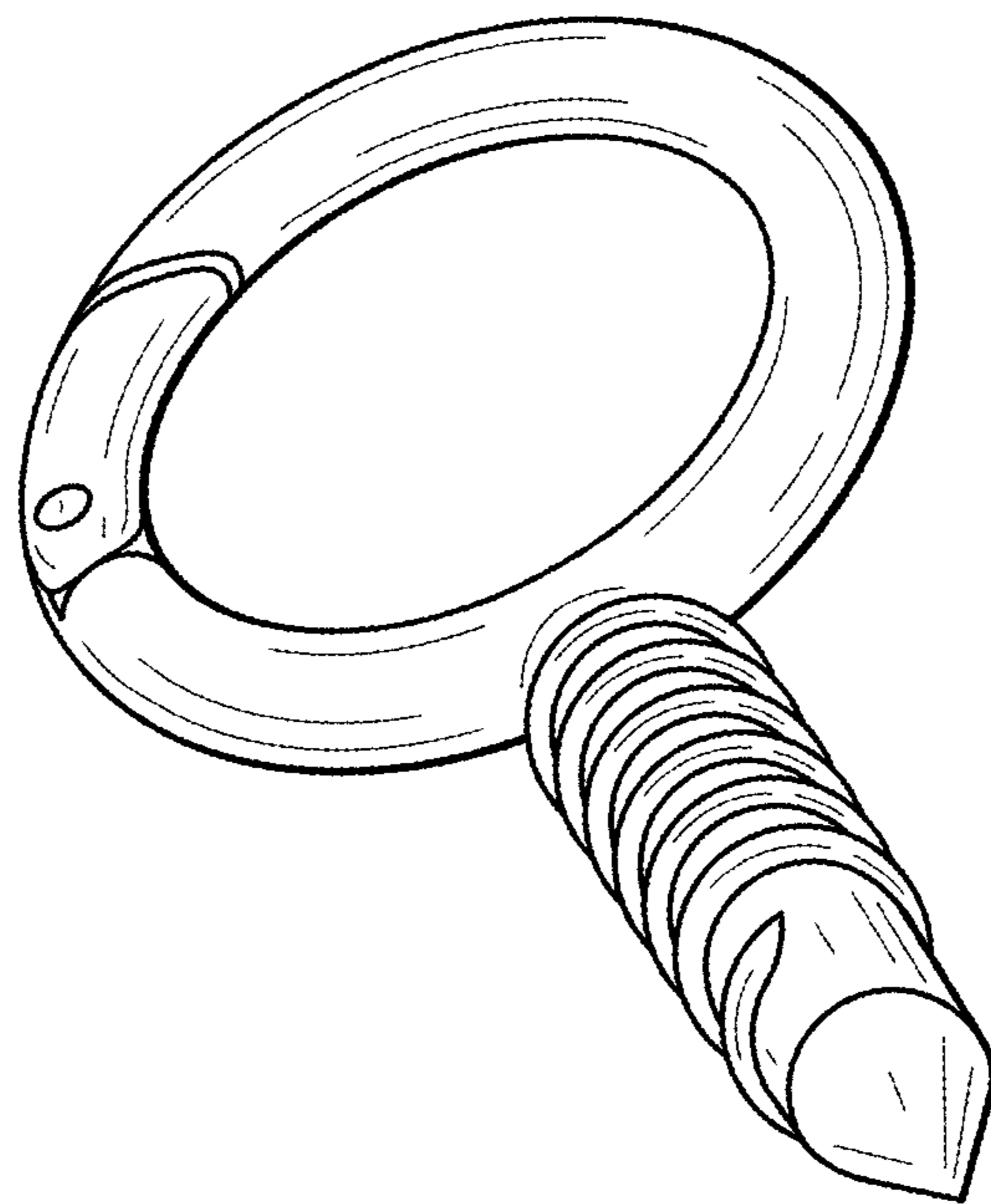


FIG. 10

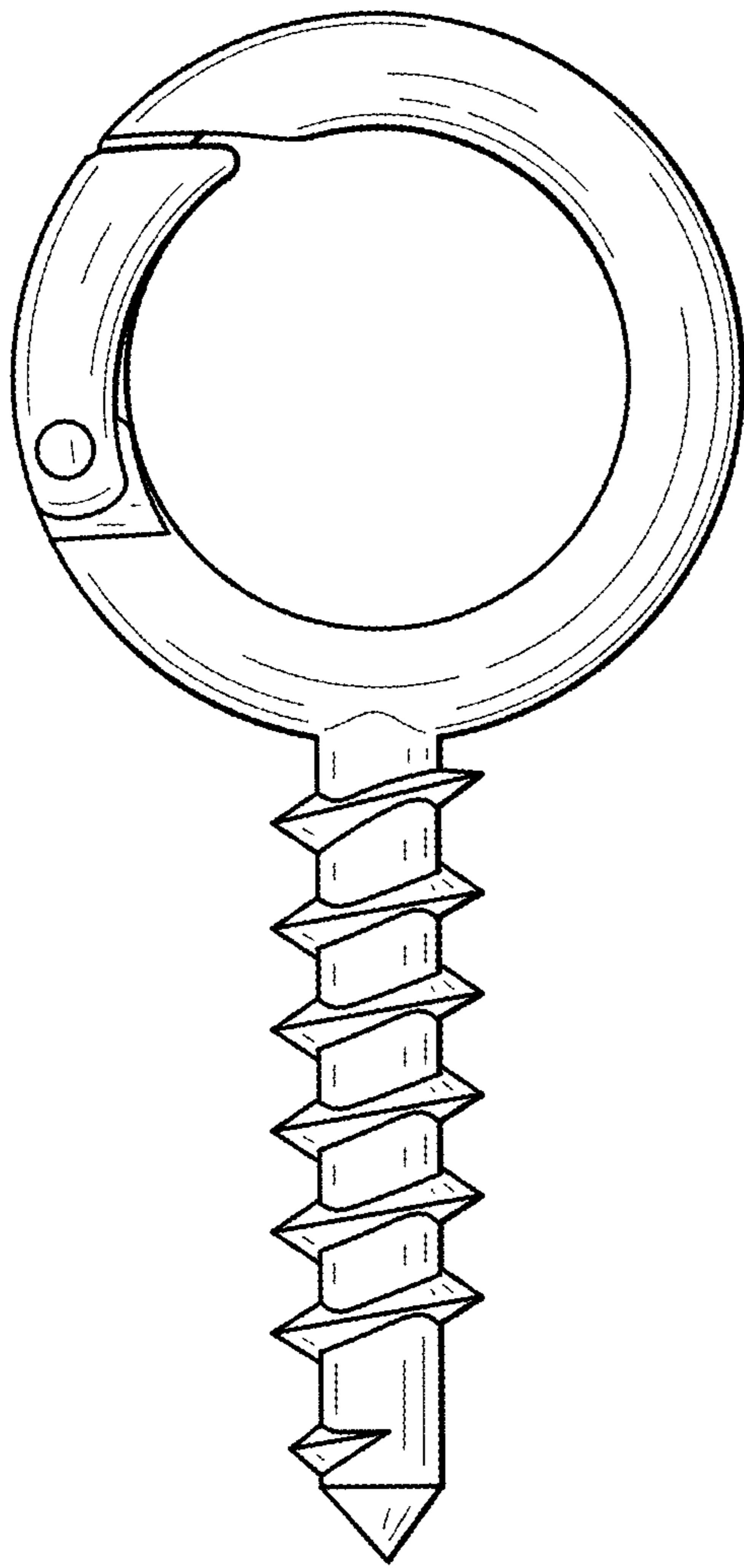


FIG. 11

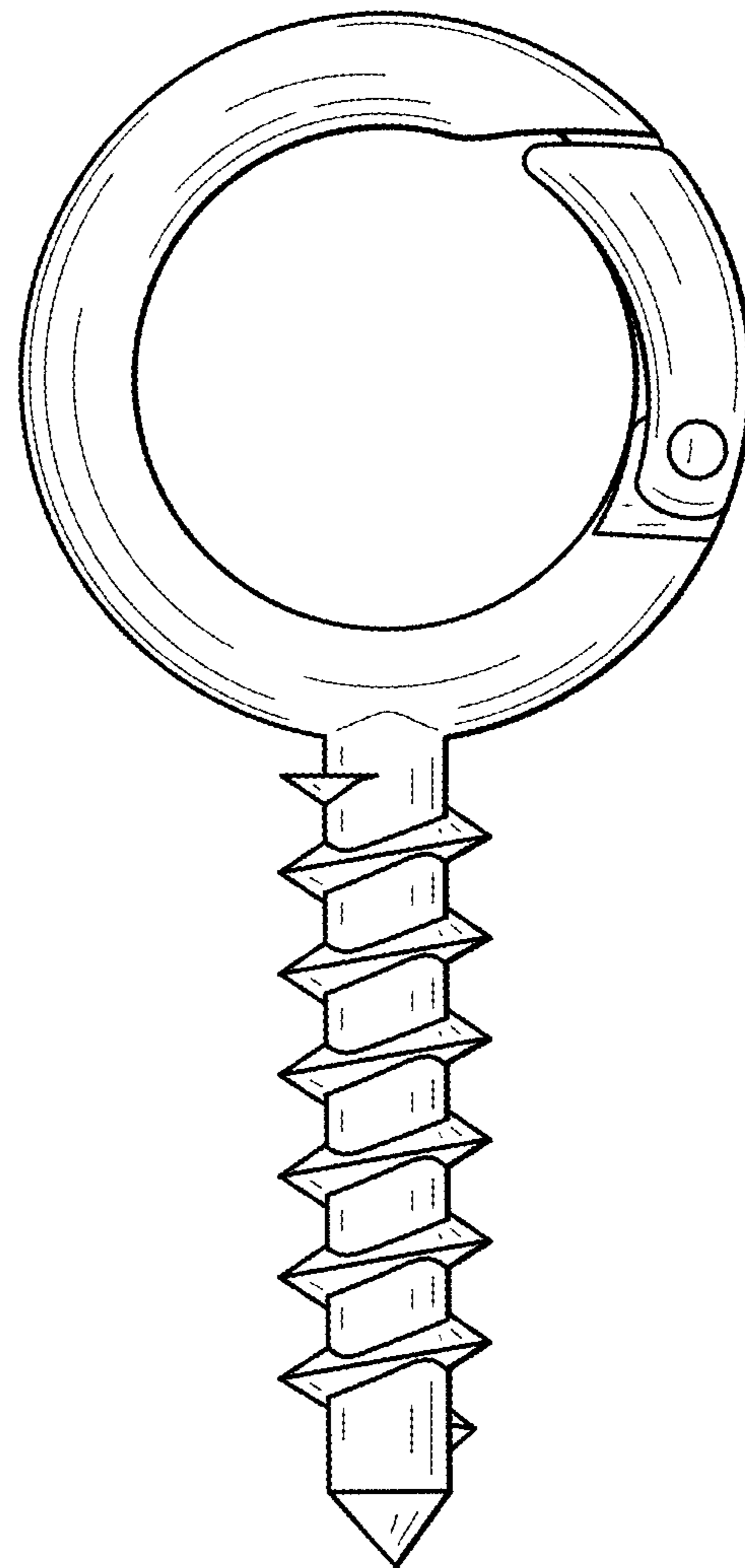


FIG. 12

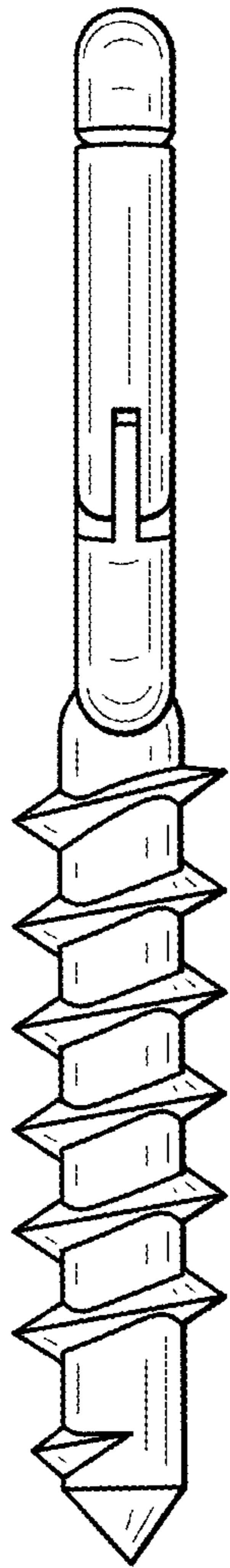


FIG. 13

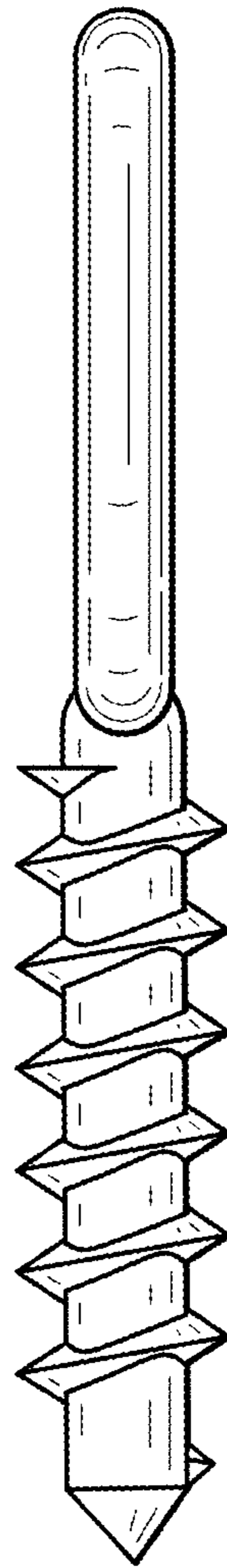


FIG. 14

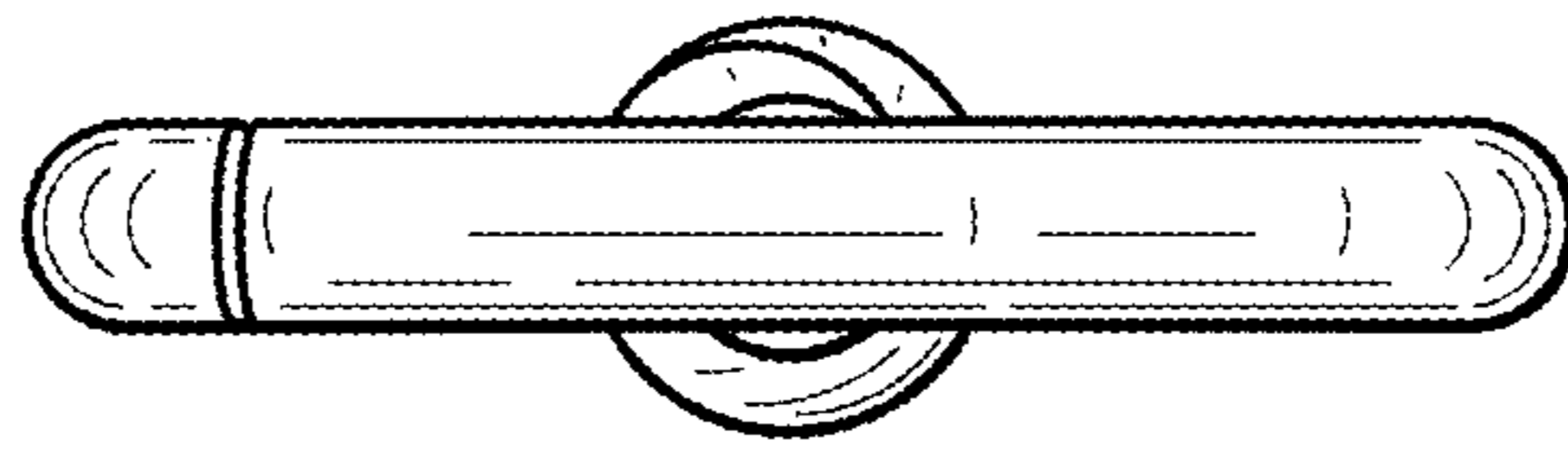


FIG. 15

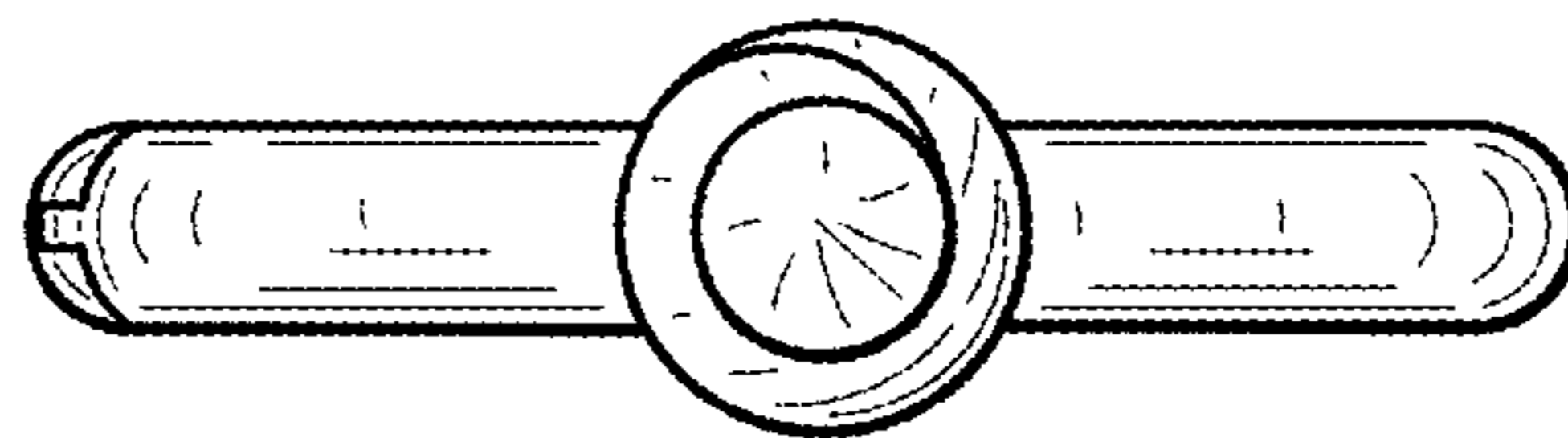


FIG. 16

