



US00D893982S

(12) **United States Design Patent**
Xiang et al.

(10) **Patent No.:** **US D893,982 S**

(45) **Date of Patent:** **** Aug. 25, 2020**

(54) **LOCK**

(71) Applicant: **Dezhao Xiang**, Shenzhen, Guangdong (CN)

(72) Inventors: **Dezhao Xiang**, Guangdong (CN);
Qiuzhi Yang, Guangdong (CN)

(73) Assignee: **Dezhao Xiang**, Shenzhen (CN)

(**) Term: **15 Years**

(21) Appl. No.: **29/664,843**

(22) Filed: **Sep. 28, 2018**

(51) **LOC (12) Cl.** **08-07**

(52) **U.S. Cl.**
USPC **D8/331**

(58) **Field of Classification Search**
USPC D8/331
CPC E05B 13/001; E05B 13/103; E05B 13/105
See application file for complete search history.

(56) **References Cited**

U.S. PATENT DOCUMENTS

- 8,079,240 B2 * 12/2011 Brown E05B 47/00
70/277
- 8,331,544 B2 * 12/2012 Kraus H04L 12/2818
379/127.01

- D733,522 S * 7/2015 Kim D8/331
- 9,771,737 B1 * 9/2017 Rais E05B 19/0005
- D837,630 S * 1/2019 Cavanna D8/331
- D879,588 S * 3/2020 Singtoroj D8/331

* cited by examiner

Primary Examiner — Doris Clark

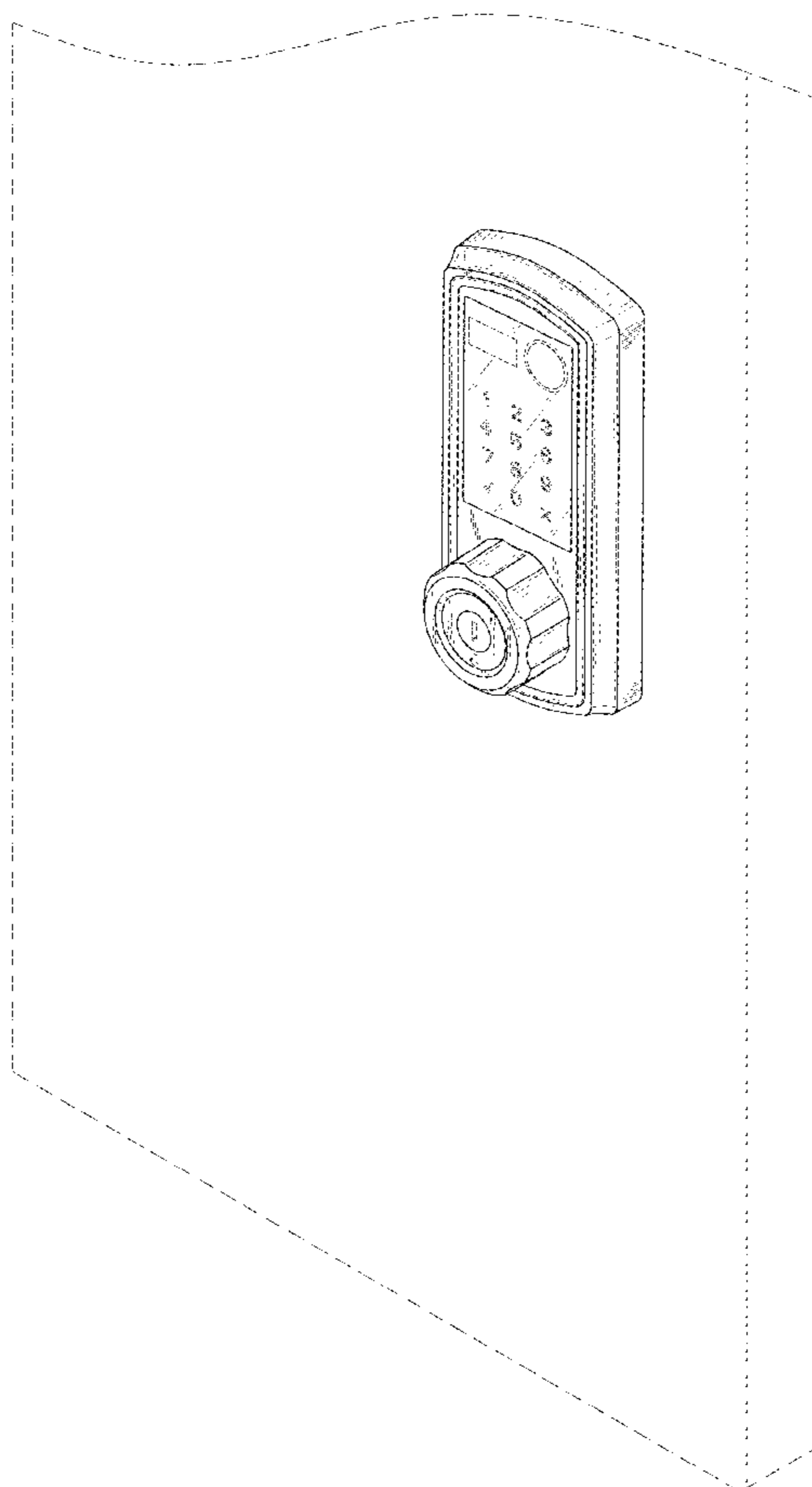
(57) **CLAIM**

The ornamental design for a lock, as shown and described.

DESCRIPTION

FIG. 1 is a front, top and right side perspective view of a lock showing our new design;
 FIG. 2 is a front, bottom and right side perspective view thereof;
 FIG. 3 is a front elevational view thereof;
 FIG. 4 is a rear elevational view thereof;
 FIG. 5 is a left side view thereof;
 FIG. 6 is a right side view thereof;
 FIG. 7 is a top plan view thereof;
 FIG. 8 is a bottom plan view thereof; and,
 FIG. 9 is a perspective view of the lock in a use state.
 The broken lines in the drawings illustrate portions of the lock or environmental subject matter which form no part of the claimed design.

1 Claim, 9 Drawing Sheets



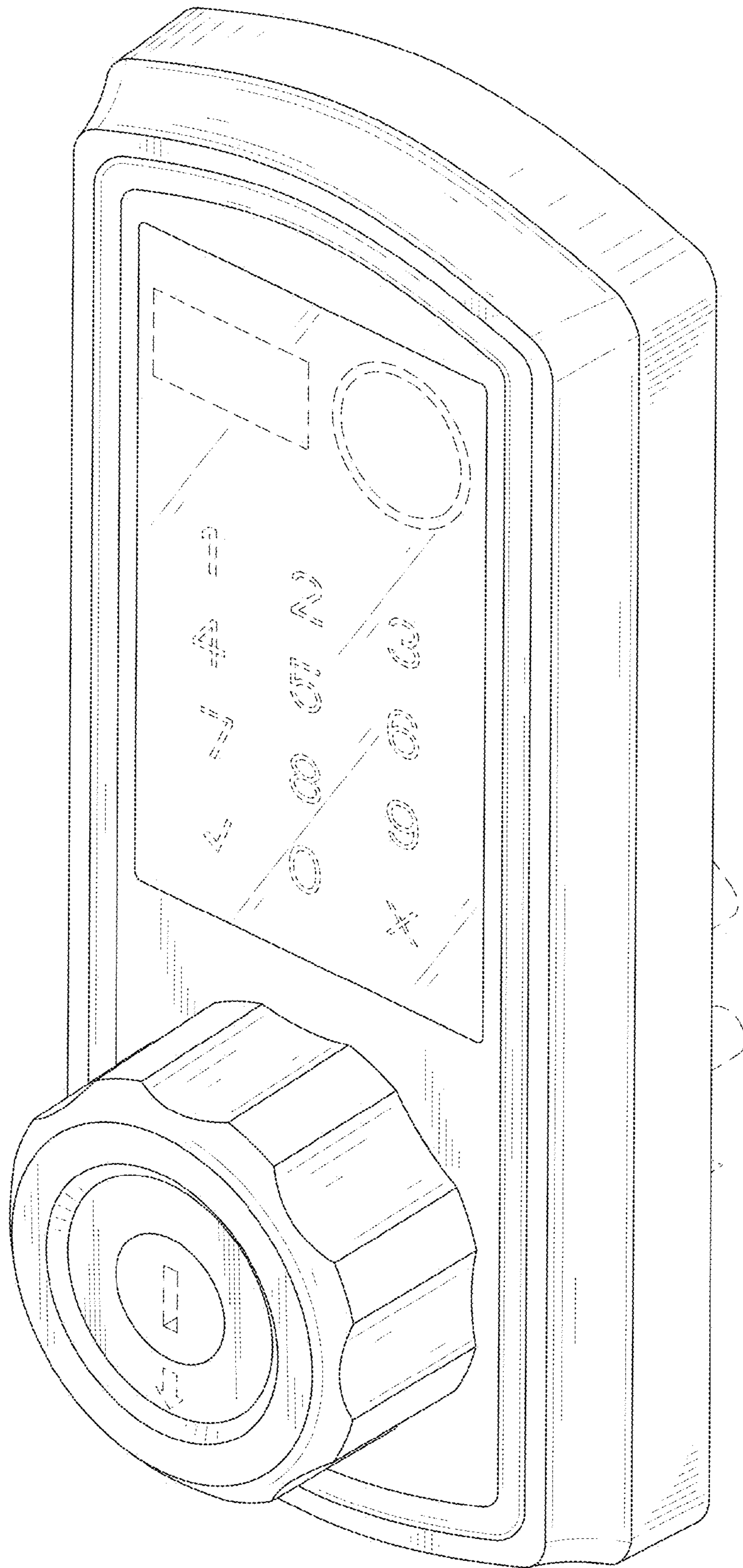


FIG. 1

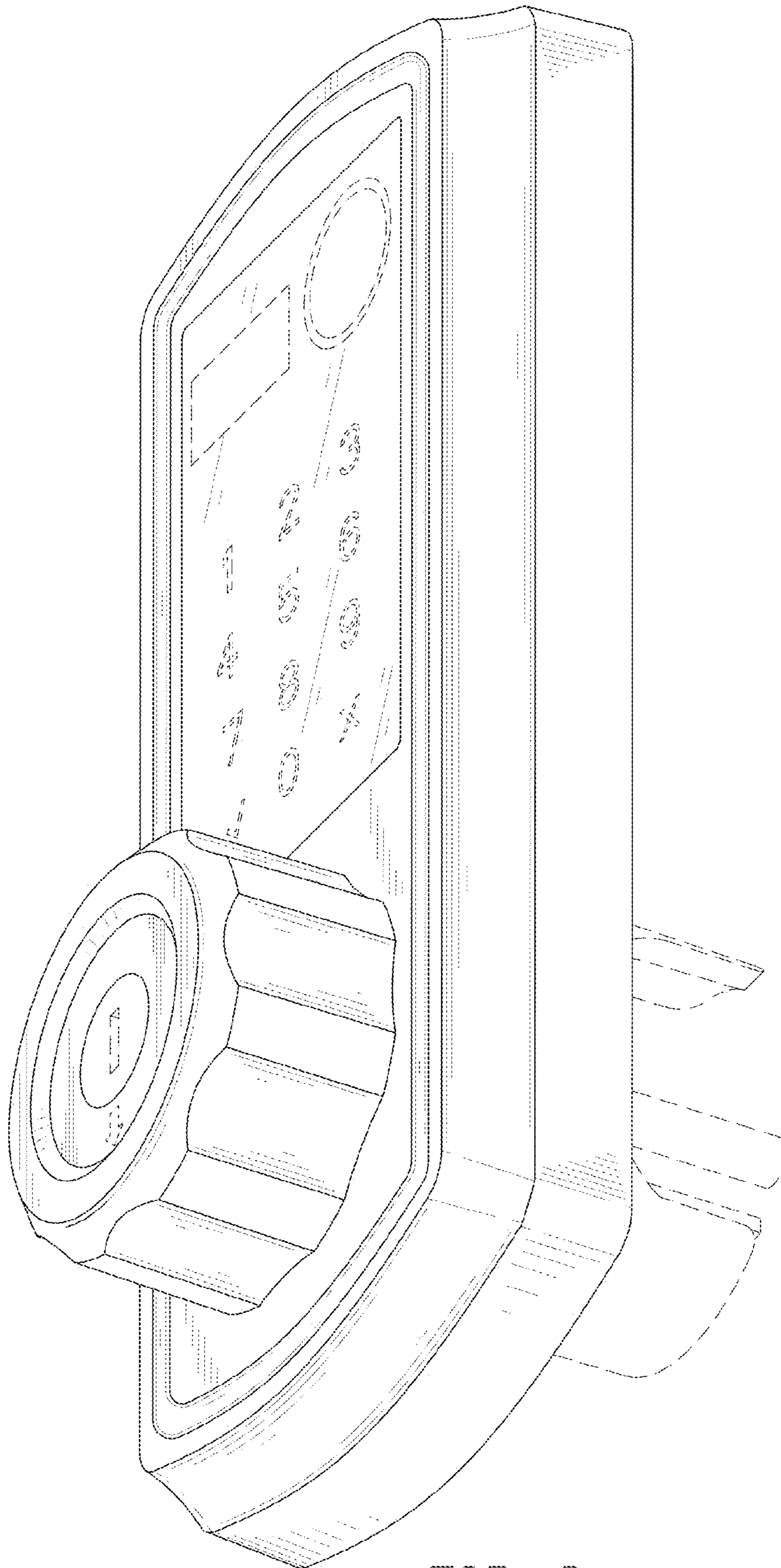


FIG. 2

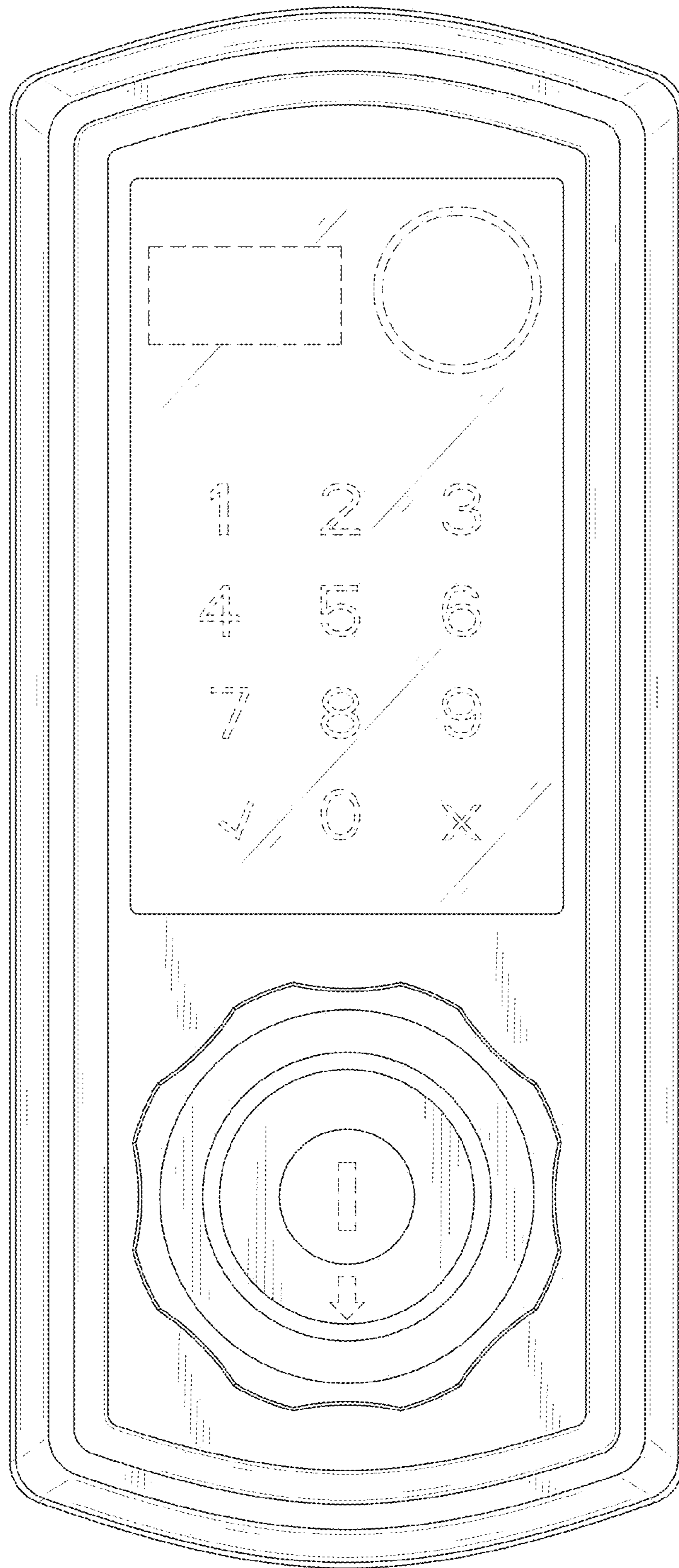


FIG. 3

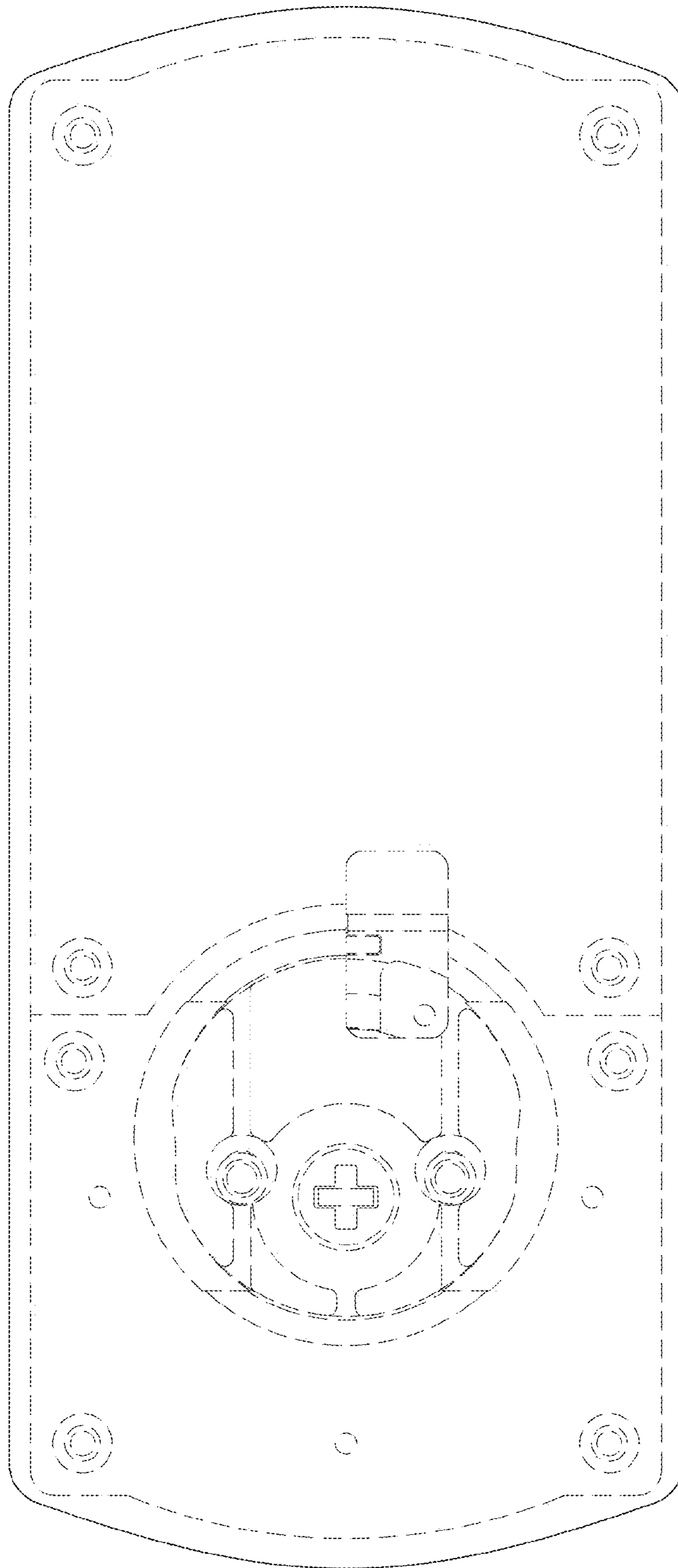


FIG. 4

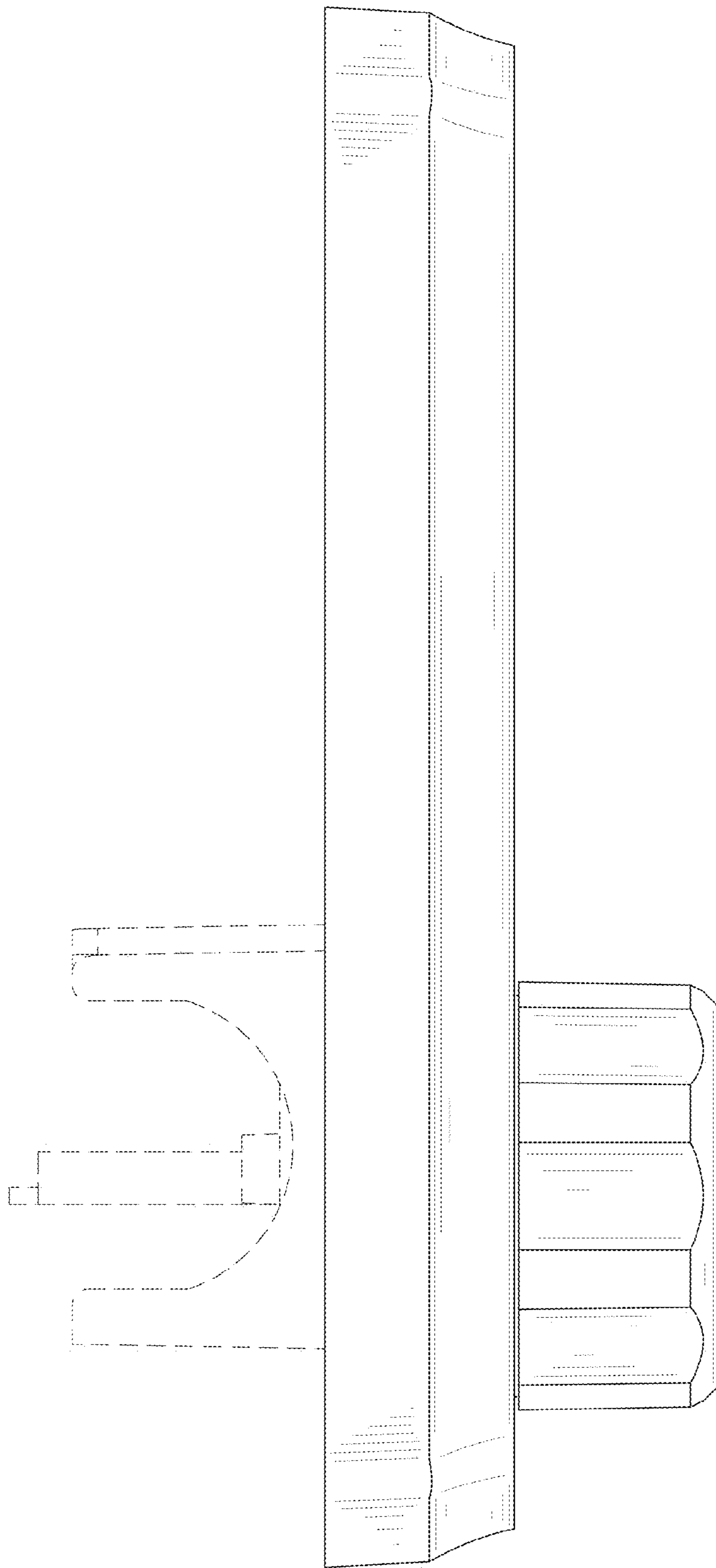


FIG. 5

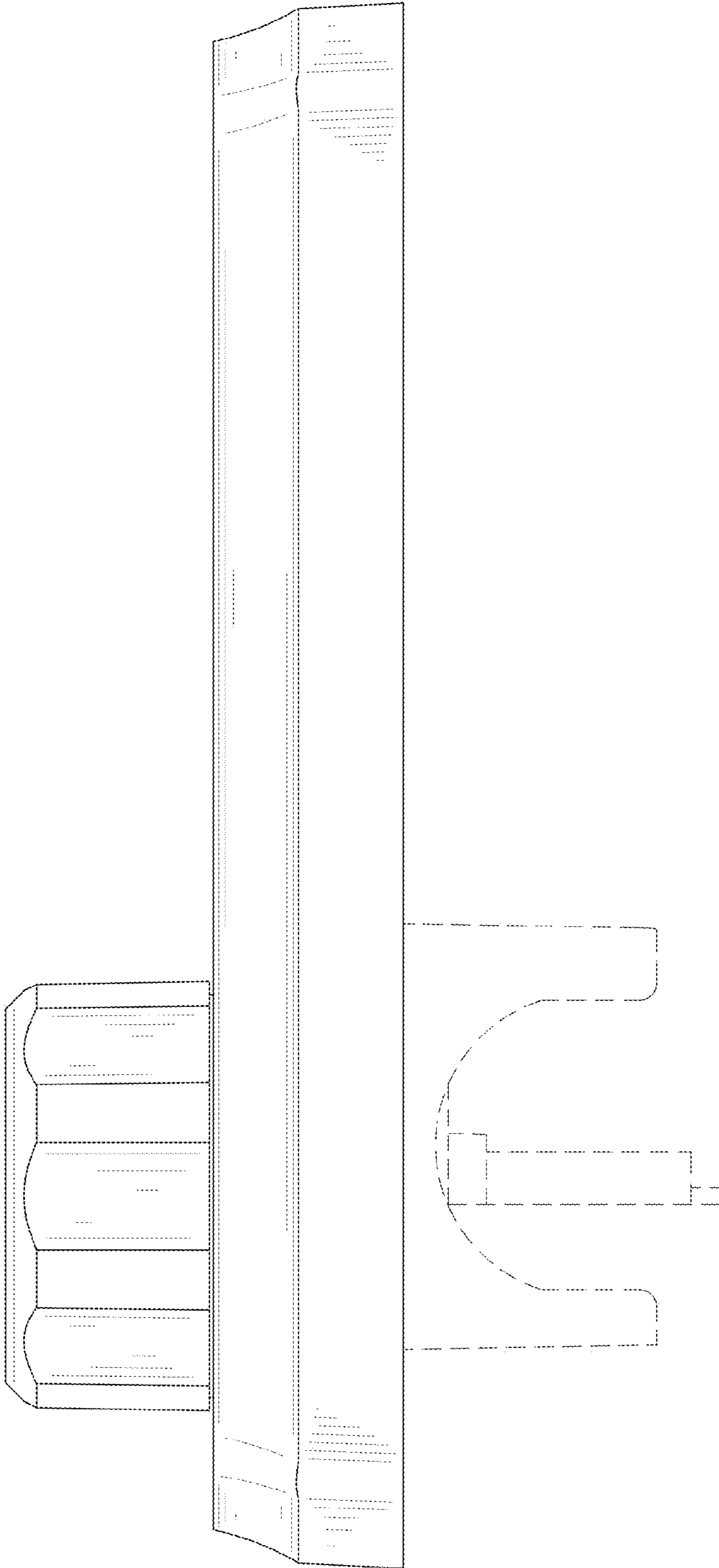


FIG. 6

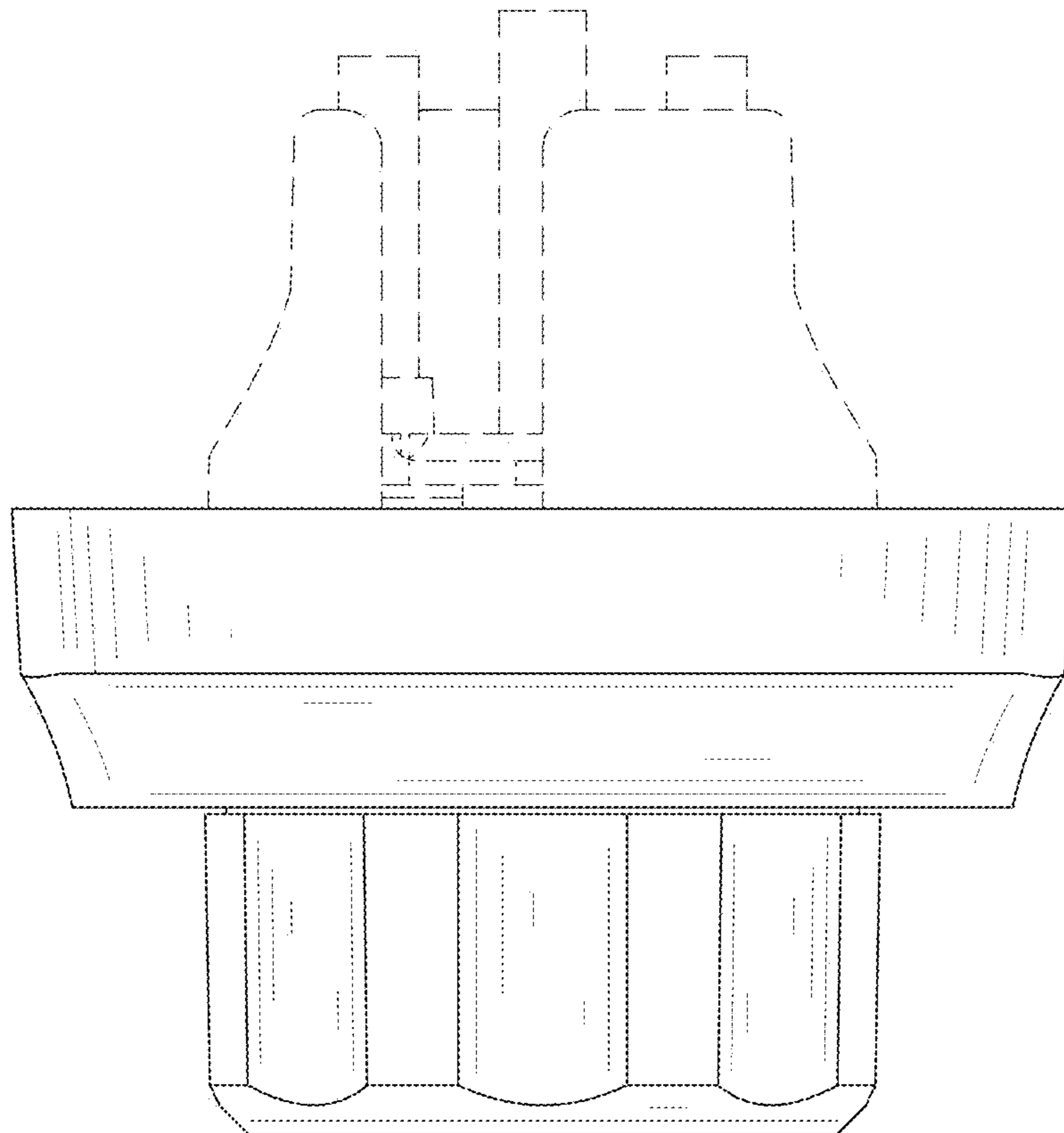


FIG. 7

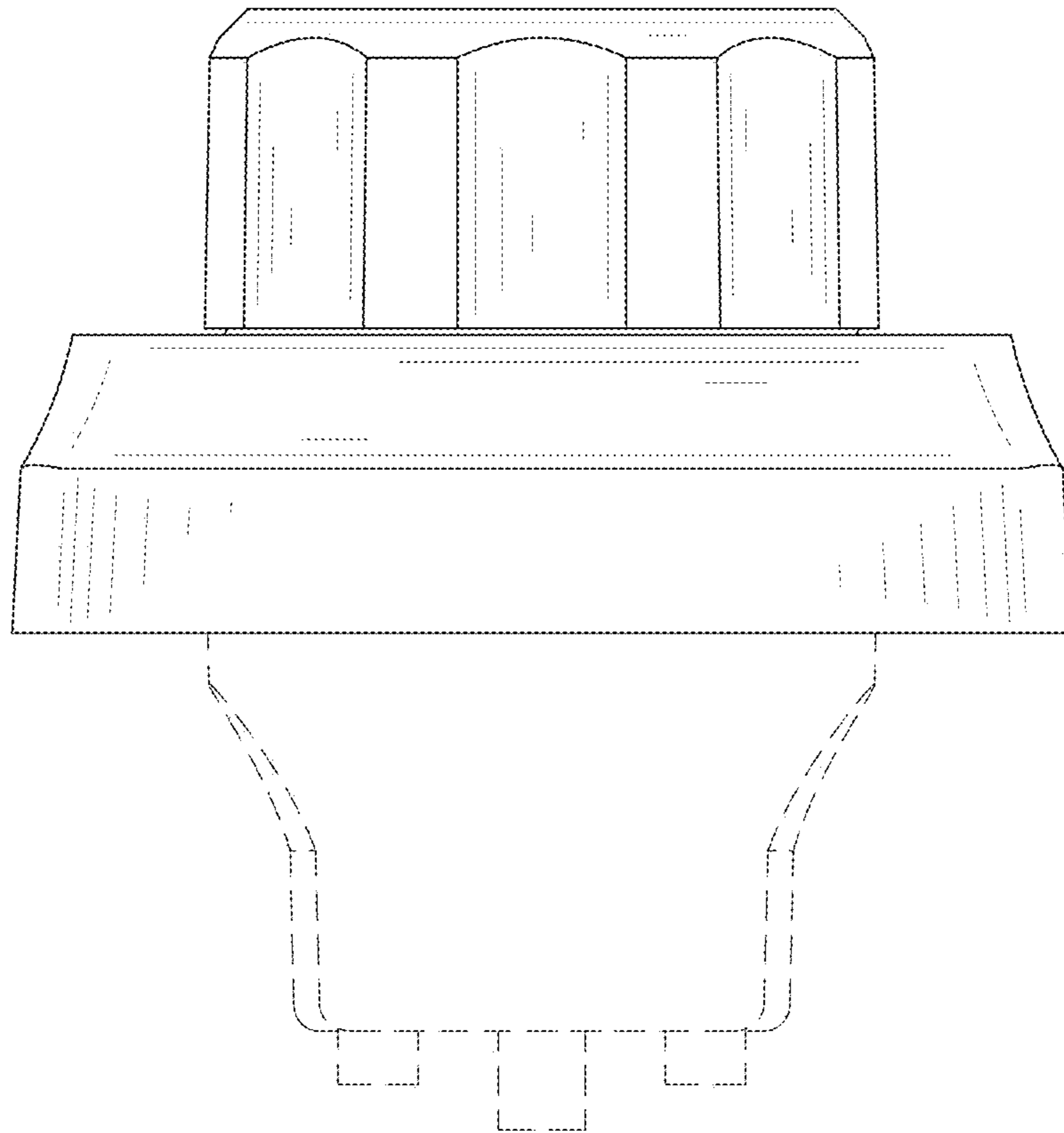


FIG. 8

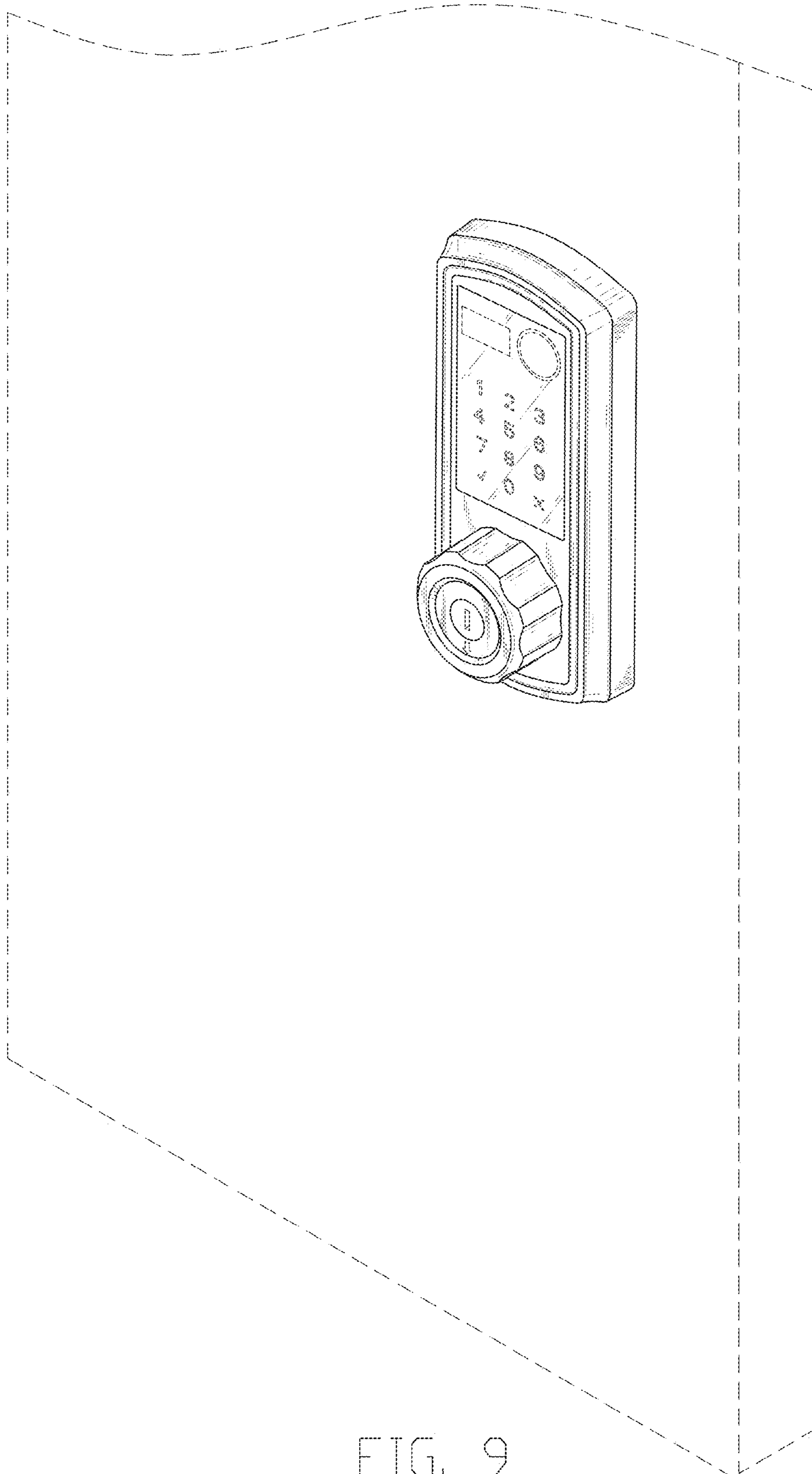


FIG. 9