



US00D893981S

(12) **United States Design Patent** (10) **Patent No.:** **US D893,981 S**
Livingston, Jr. et al. (45) **Date of Patent:** **** Aug. 25, 2020**

(54) **SUCTION CUP HANDLE**

(71) Applicant: **Sparrow Product Development, Inc.**,
Shingle Springs, CA (US)

(72) Inventors: **Larry Leigh Livingston, Jr.**, Cameron
Park, CA (US); **Derek Carlton**
Westlund, Placerville, CA (US)

(73) Assignee: **SPARROW PRODUCT**
DEVELOPMENT, INC., Shingle
Springs, CA (US)

(**) Term: **15 Years**

(21) Appl. No.: **29/677,208**

(22) Filed: **Jan. 17, 2019**

(51) **LOC (12) Cl.** **08-06**

(52) **U.S. Cl.**
USPC **D8/315; D34/28**

(58) **Field of Classification Search**
USPC D8/14, 300, 301, 302, 313, 315, 316,
D8/318, 319, 320; D6/546, 549;
D7/393, 394; D34/28
CPC Y10T 16/469; Y10T 16/44; Y10T 16/498;
Y10T 16/459; Y10T 74/20732; Y10T
16/462; Y10T 29/49826; Y10T 16/4559;
Y10T 74/20864; Y10T 16/4628; Y10T
407/1825; Y10T 408/96; Y10T 74/20612;
Y10T 137/6024; B25G 1/10; B25G 1/00;
B25G 3/00; F16B 47/00; F16B 47/006;
B25B 11/007; B65G 2249/045; B65G
47/91

See application file for complete search history.

(56) **References Cited**

U.S. PATENT DOCUMENTS

3,240,525 A * 3/1966 Wood B65G 49/061
294/185
5,184,858 A * 2/1993 Arai B65G 49/061
116/70

D368,636 S * 4/1996 Planka D8/300
6,039,371 A * 3/2000 Smith E04F 21/22
254/200
D490,201 S * 5/2004 Liao D34/28
D616,285 S * 5/2010 Kimber D8/14
D799,303 S * 10/2017 Boeltl D8/315
D883,760 S * 5/2020 Hartt D8/14
2009/0166490 A1 * 7/2009 Liao F16B 47/00
248/205.8
2020/0009413 A1 * 1/2020 Berklund A63B 1/00

* cited by examiner

Primary Examiner — Lauren R Calve

(74) *Attorney, Agent, or Firm* — Manuel de la Cerra

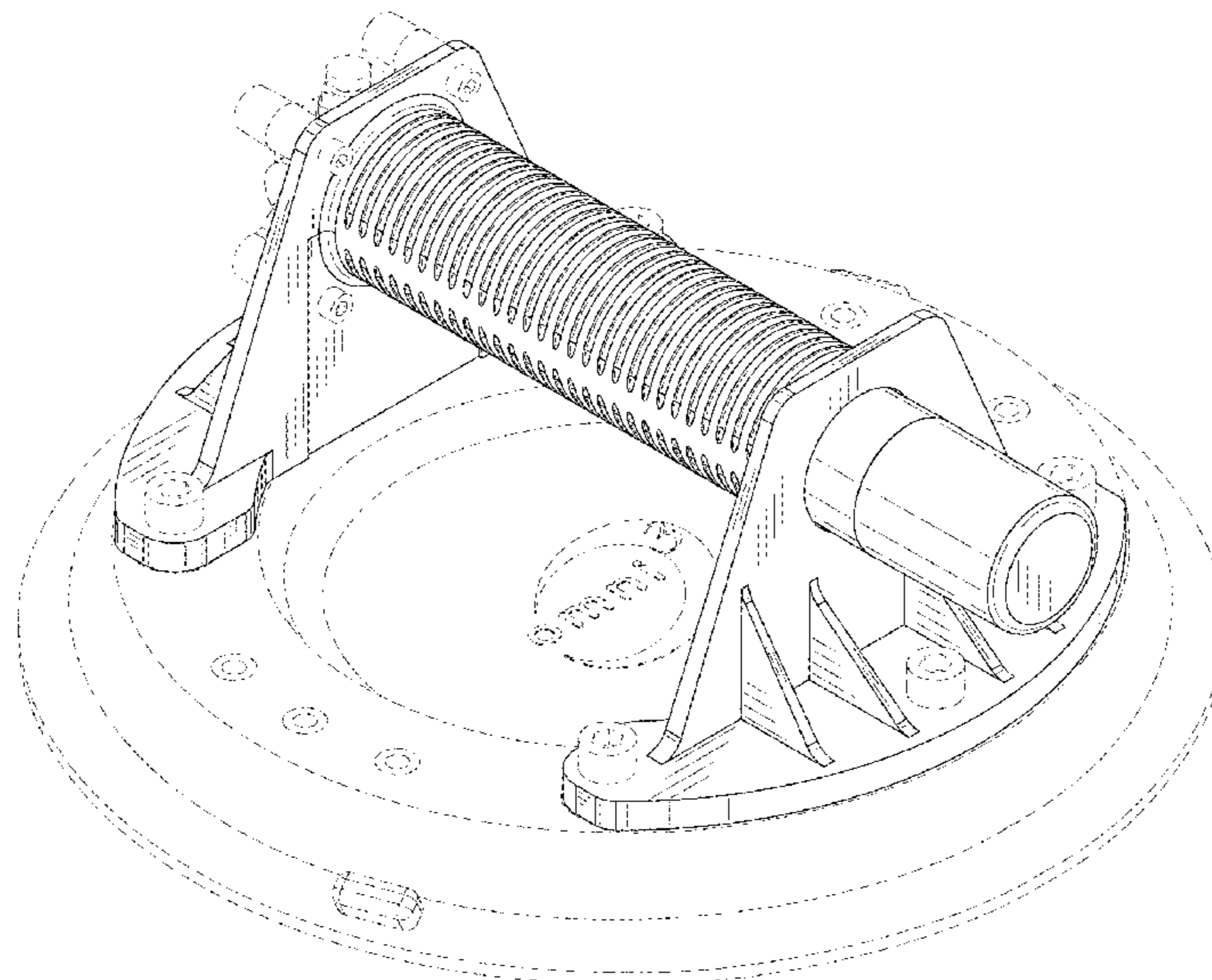
(57) **CLAIM**

The ornamental design for a suction cup handle, as shown and described.

DESCRIPTION

FIG. 1 is a front top right perspective view of a suction cup handle.
 FIG. 2 is a front top left perspective view thereof.
 FIG. 3 is a front bottom right perspective view thereof.
 FIG. 4 is a front bottom left perspective view thereof.
 FIG. 5 is a right view thereof.
 FIG. 6 is a left view thereof.
 FIG. 7 is a front view thereof.
 FIG. 8 is a back view thereof.
 FIG. 9 is a top view thereof; and,
 FIG. 10 is a bottom view thereof.
 The broken line showing of parts of the drawings is included for the purpose of illustrating use and environment, and forms no part of the claimed design.

1 Claim, 8 Drawing Sheets



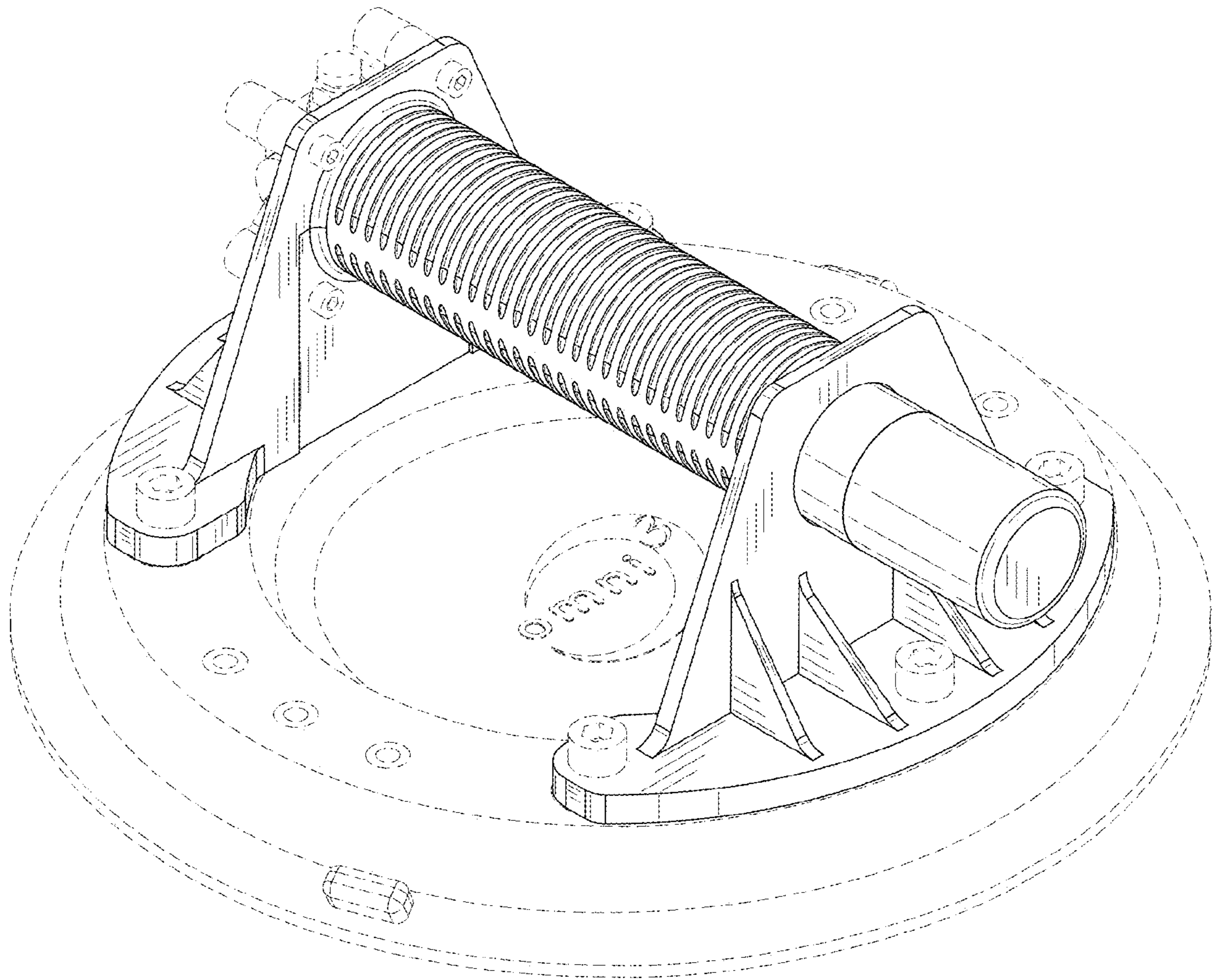


FIG. 1

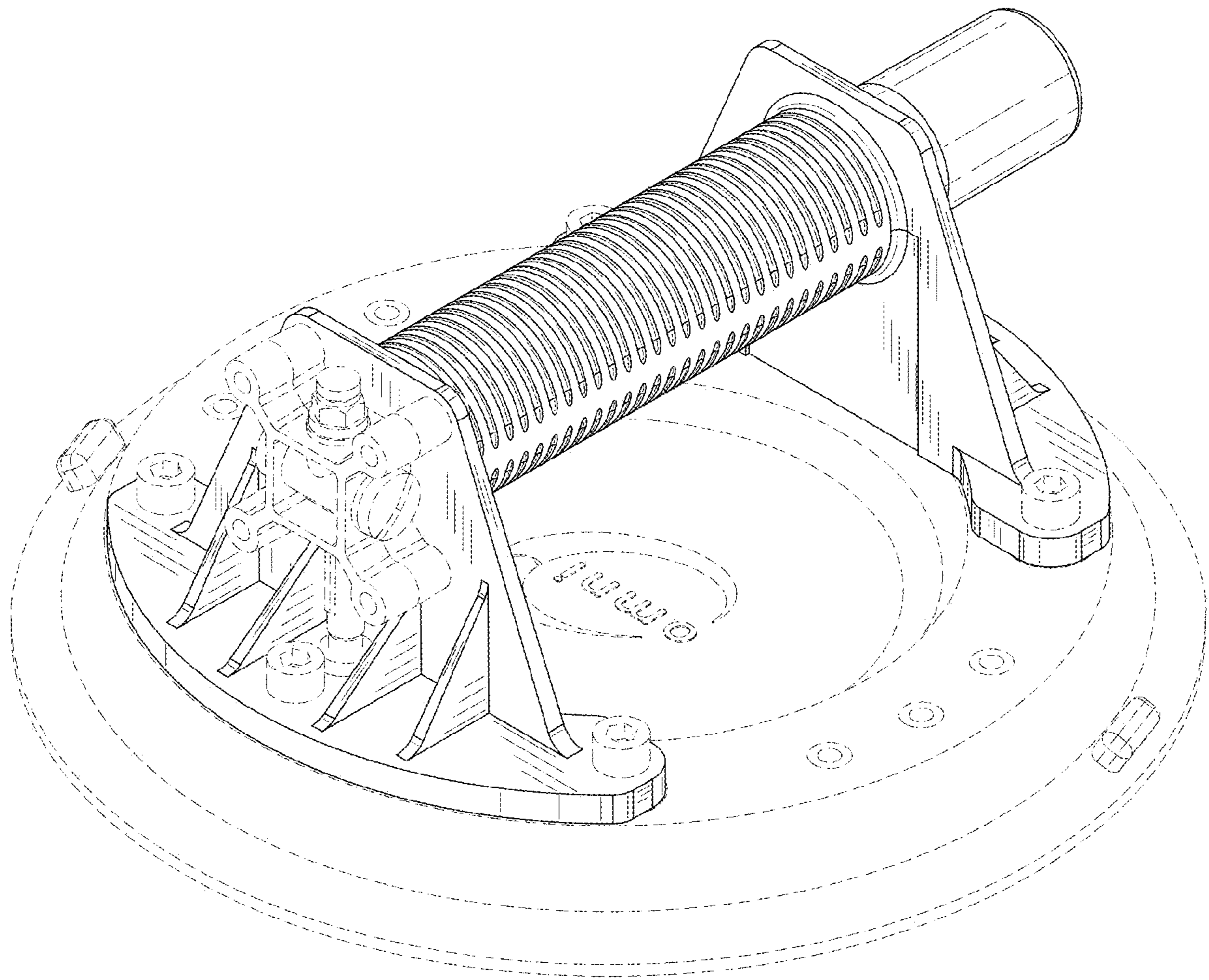


FIG. 2

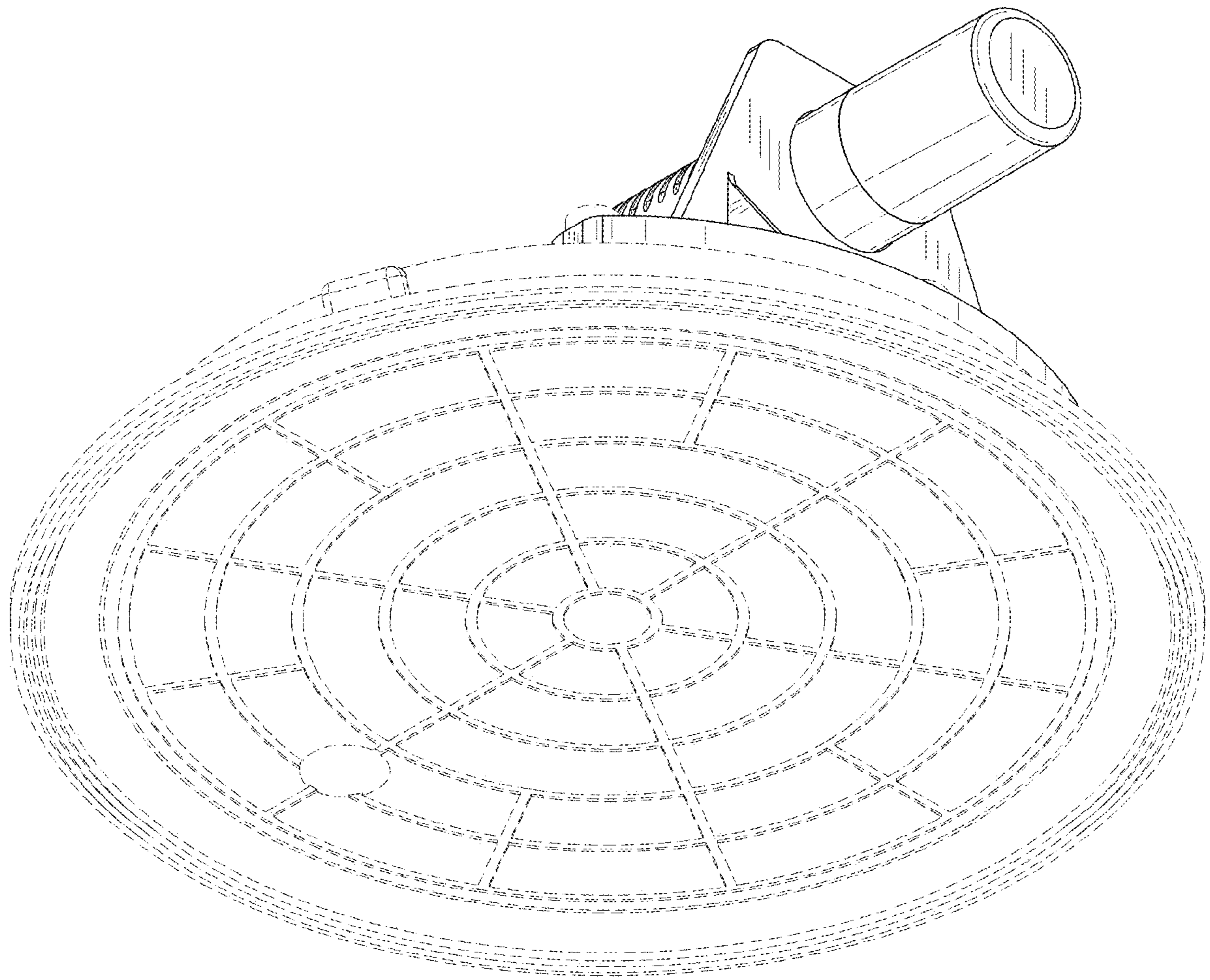


FIG. 3

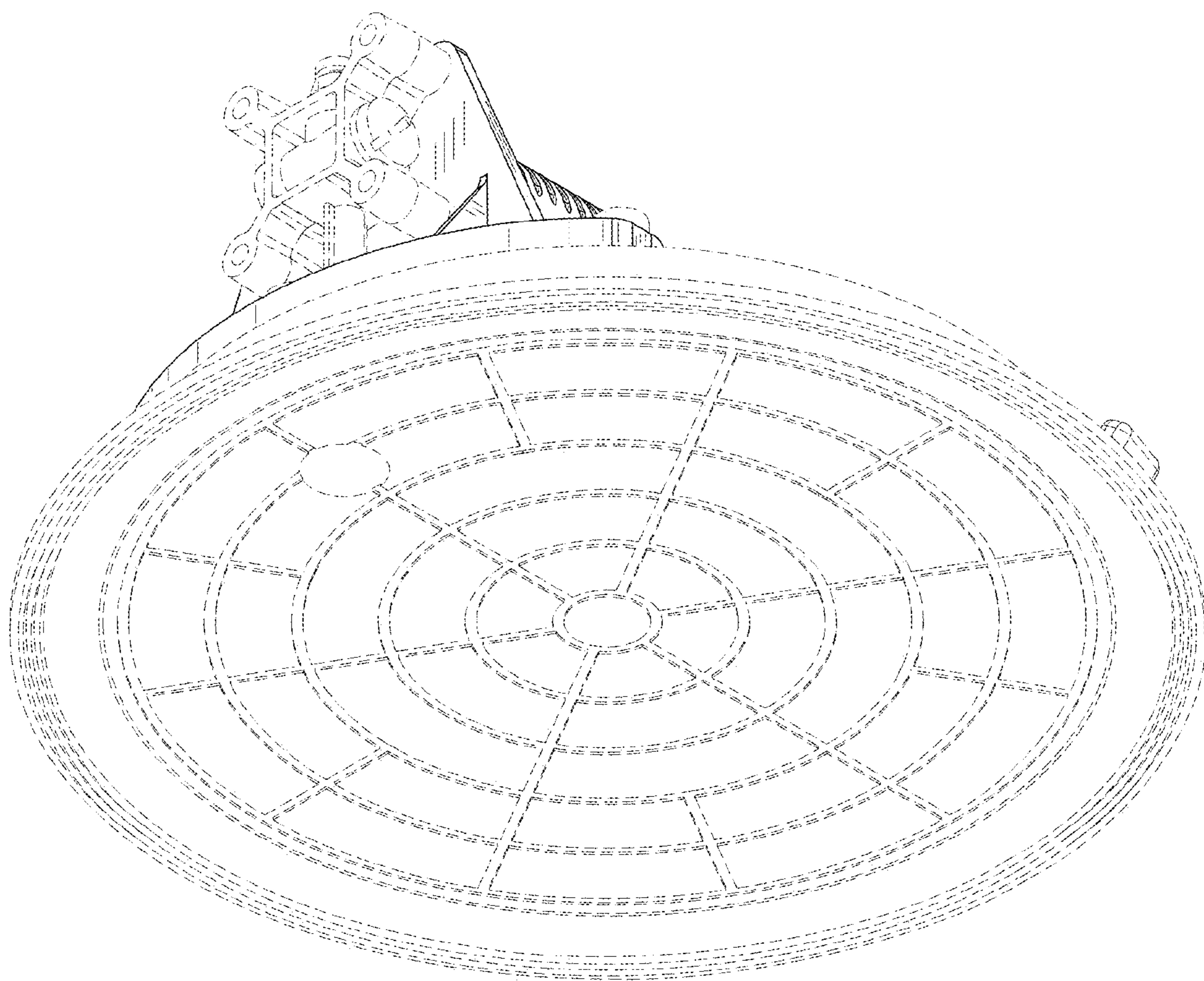


FIG. 4

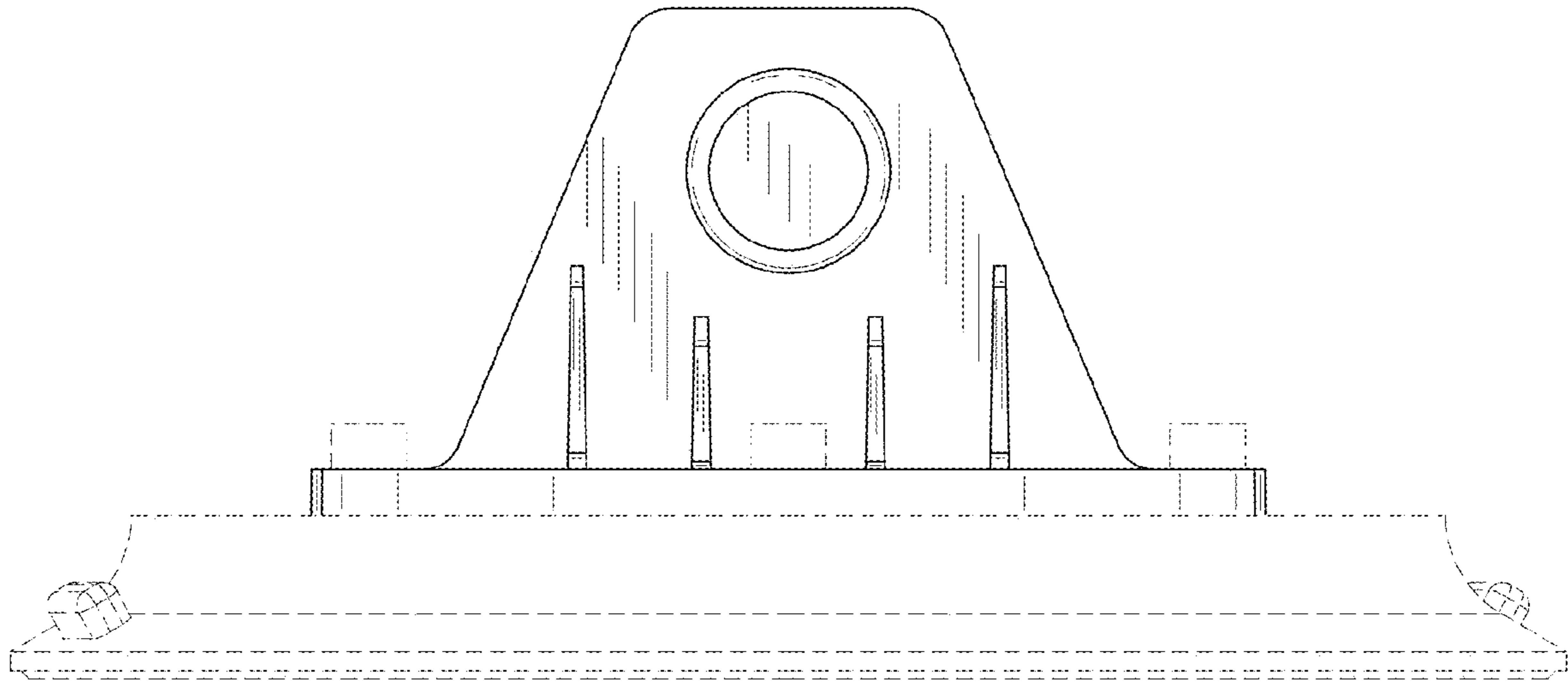


FIG. 5

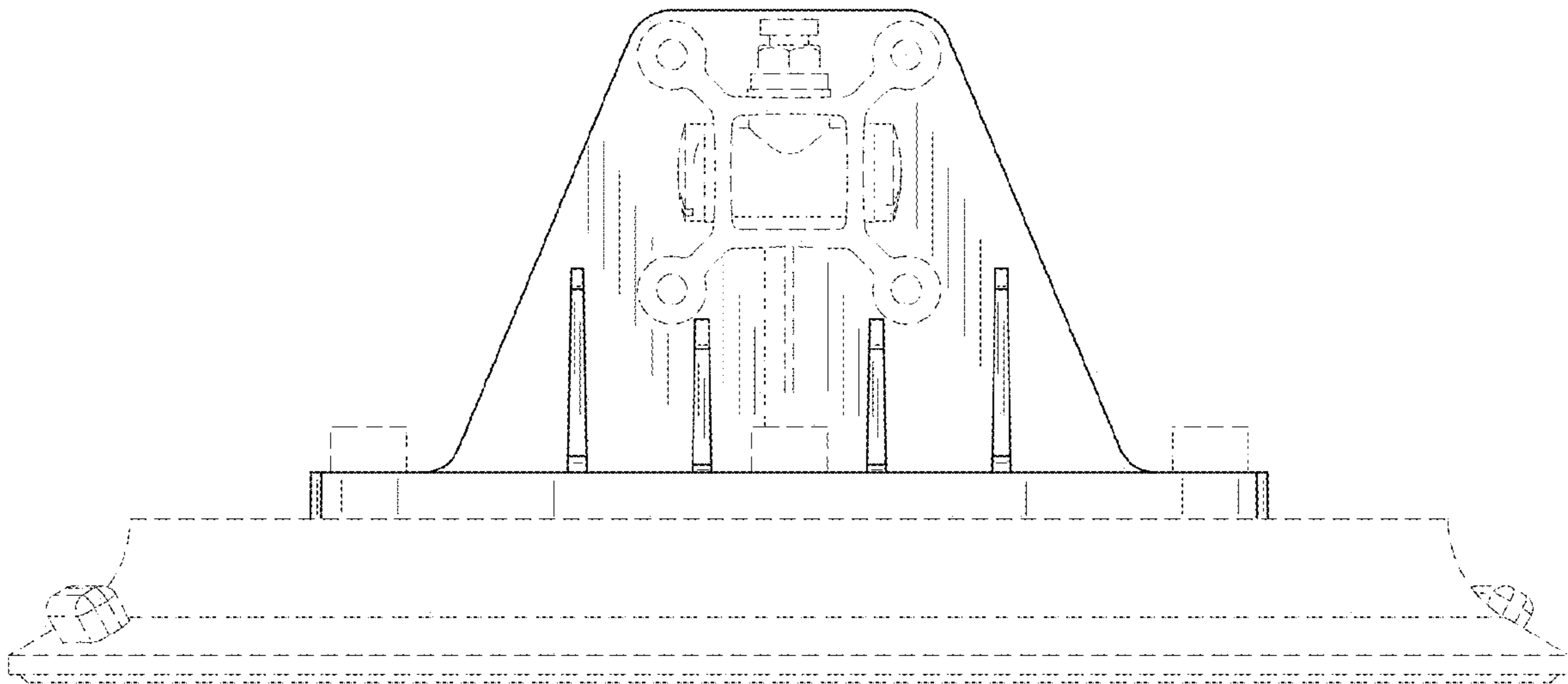


FIG. 6

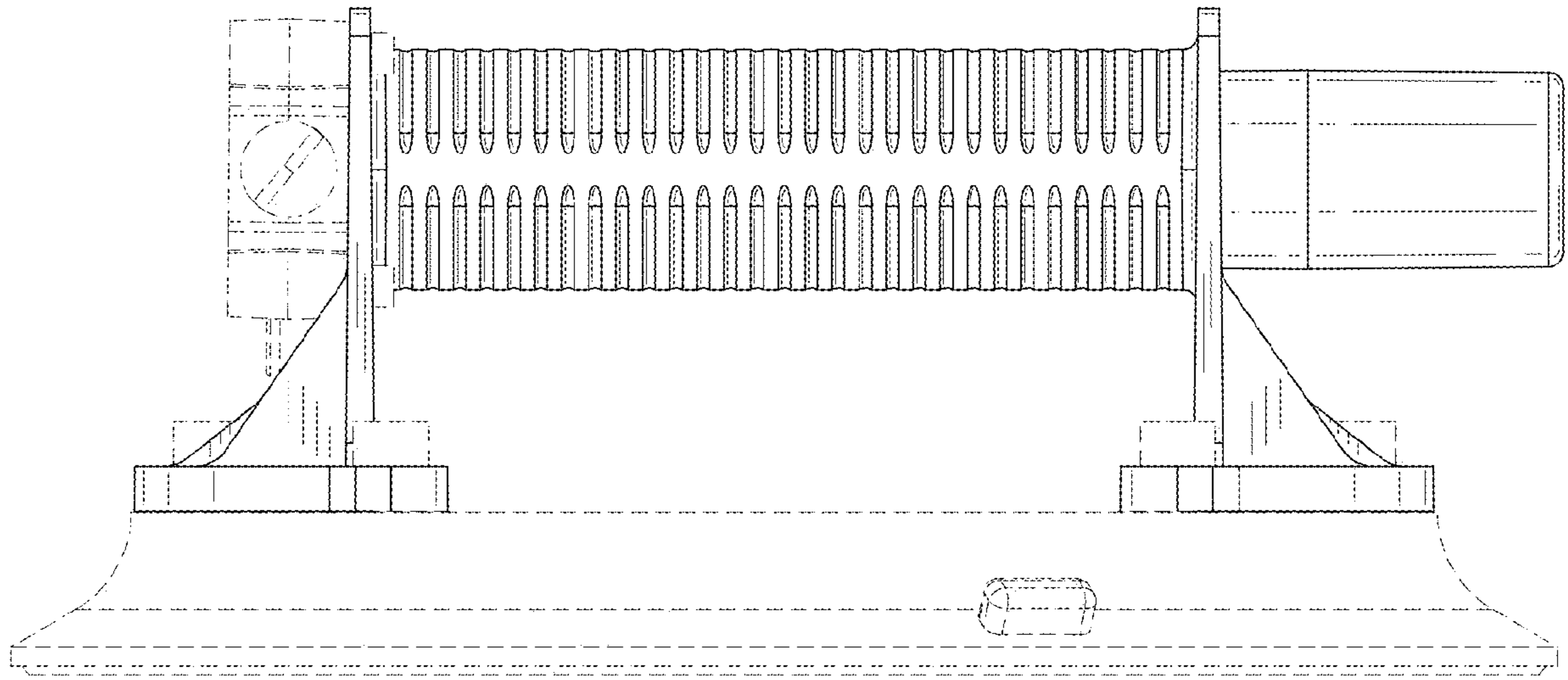


FIG. 7

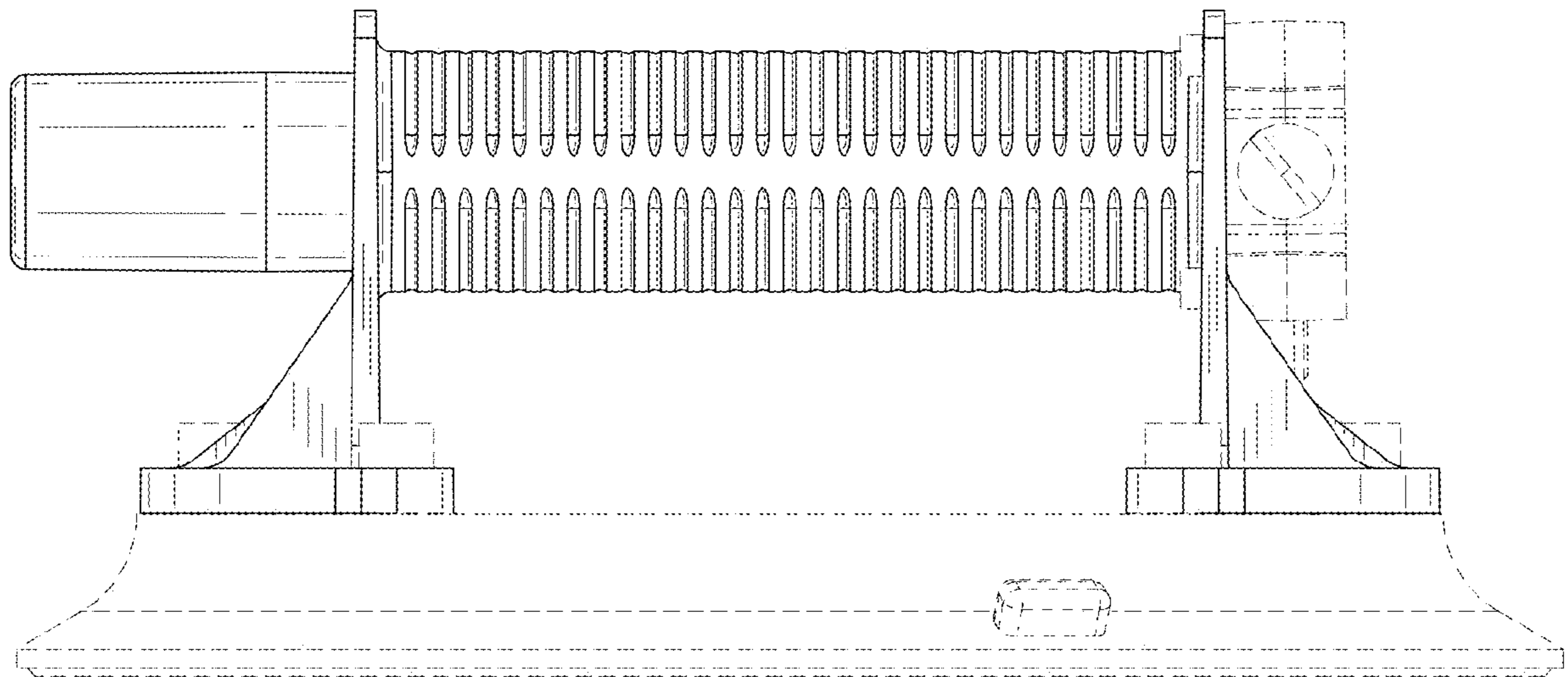


FIG. 8

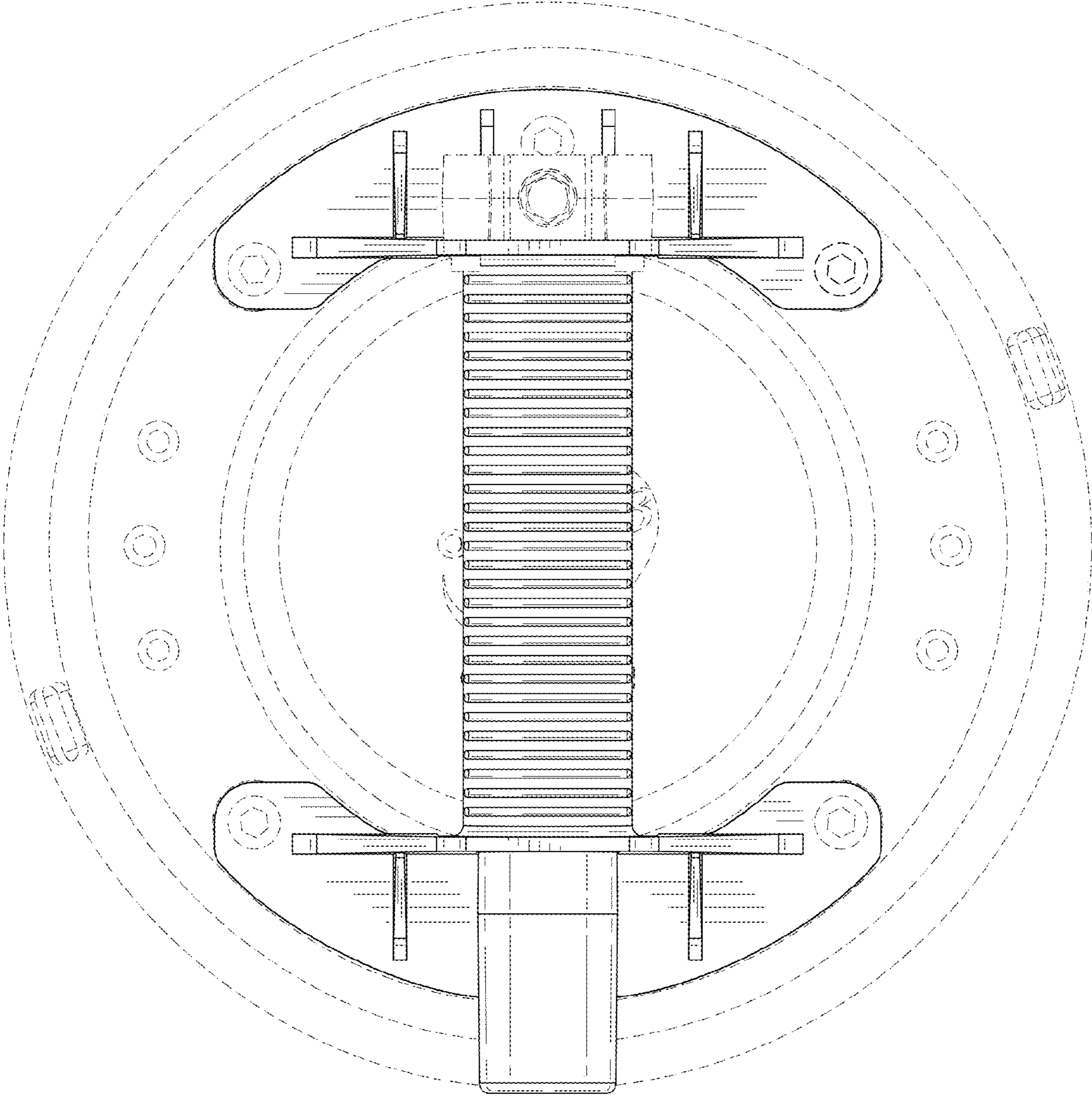


FIG. 9

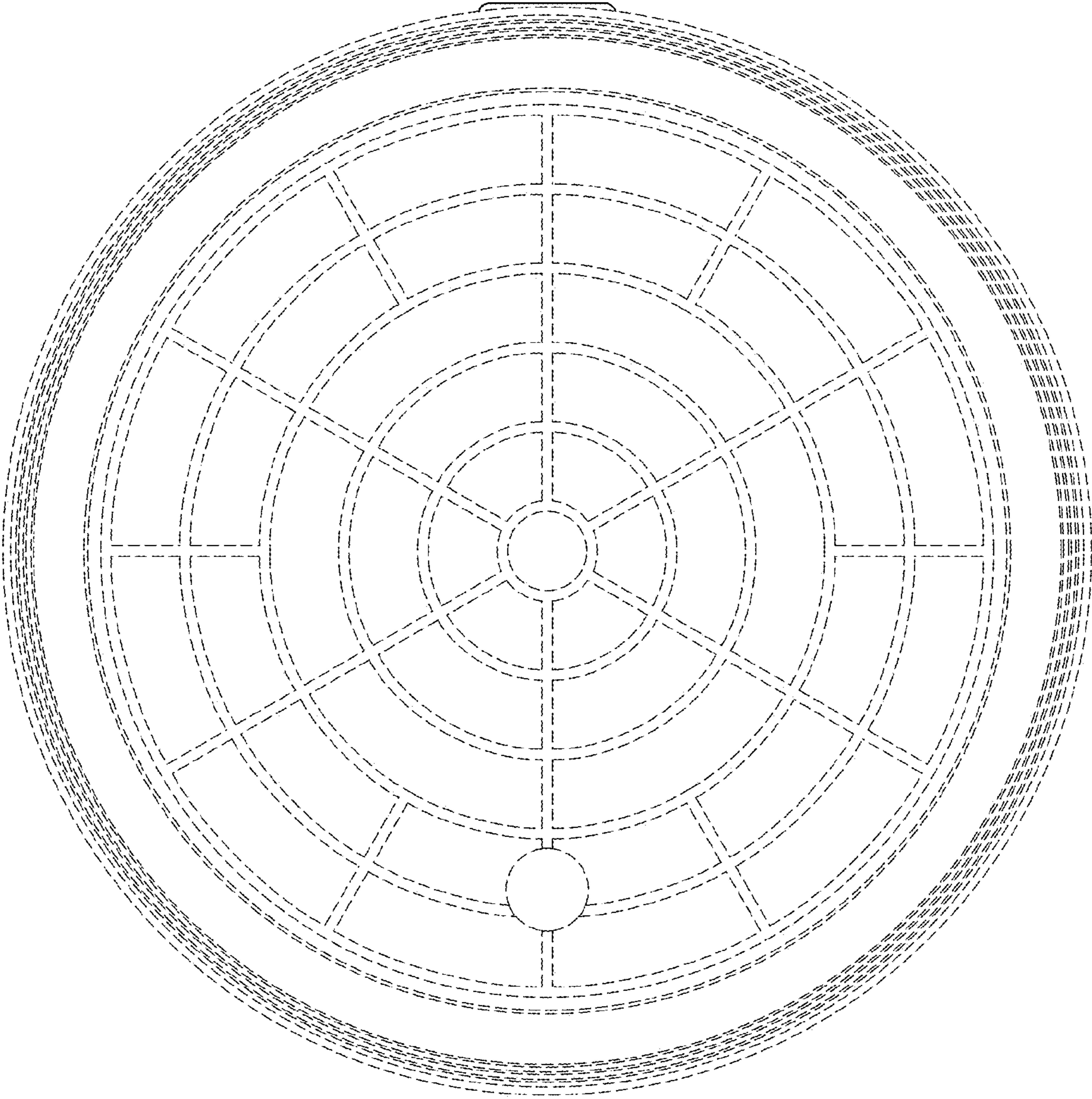


FIG. 10