



US00D893976S

(12) **United States Design Patent** (10) **Patent No.:** **US D893,976 S**
Kao (45) **Date of Patent:** **** Aug. 25, 2020**

(54) **FOLDING MULTITOO**

(71) Applicant: **Wen-Chun Kao**, Taipei (TW)

(72) Inventor: **Wen-Chun Kao**, Taipei (TW)

(**) Term: **15 Years**

(21) Appl. No.: **29/694,245**

(22) Filed: **Jun. 9, 2019**

(51) **LOC (12) Cl.** **08-05**

(52) **U.S. Cl.**
USPC **D8/105; D3/210**

(58) **Field of Classification Search**
USPC D8/105, 81, 88, 89, 14, 16-19, 21, 27,
D8/51, 98, 99, 104, 45, 48; D3/210
CPC . B25G 1/10; B25B 13/04; B66F 15/00;
17/00

See application file for complete search history.

(56) **References Cited**

U.S. PATENT DOCUMENTS

D356,240 S *	3/1995	Meldahl	D8/105
D515,903 S *	2/2006	Kelleghan	D8/105
D666,883 S *	9/2012	Howard	F41A 35/00
				D8/19
D726,517 S *	4/2015	Fischer	D8/17
D737,173 S *	8/2015	Kelleghan	D11/201
D739,698 S *	9/2015	Glesser	D8/105
D768,460 S *	10/2016	Adelman	D8/105
D770,250 S *	11/2016	Fischer	D8/17
D773,274 S *	12/2016	Berman	D8/105
D780,550 S *	3/2017	Manor	D8/105
D799,297 S *	10/2017	Manor	D8/105

D801,139 S *	10/2017	Cheng	D8/19
D801,599 S *	10/2017	Macca	D30/199
D842,068 S *	3/2019	Kao	D8/105
D848,813 S *	5/2019	Kelleghan	D8/105
D873,112 S *	1/2020	Bond	D8/105
D873,643 S *	1/2020	Hadden	D8/105
D878,892 S *	3/2020	Kao	D8/105
D879,581 S *	3/2020	Arakelian	D8/105
D881,671 S *	4/2020	Kao	D8/105

* cited by examiner

Primary Examiner — Janice Hallmark

(74) *Attorney, Agent, or Firm* — Raymond Chan

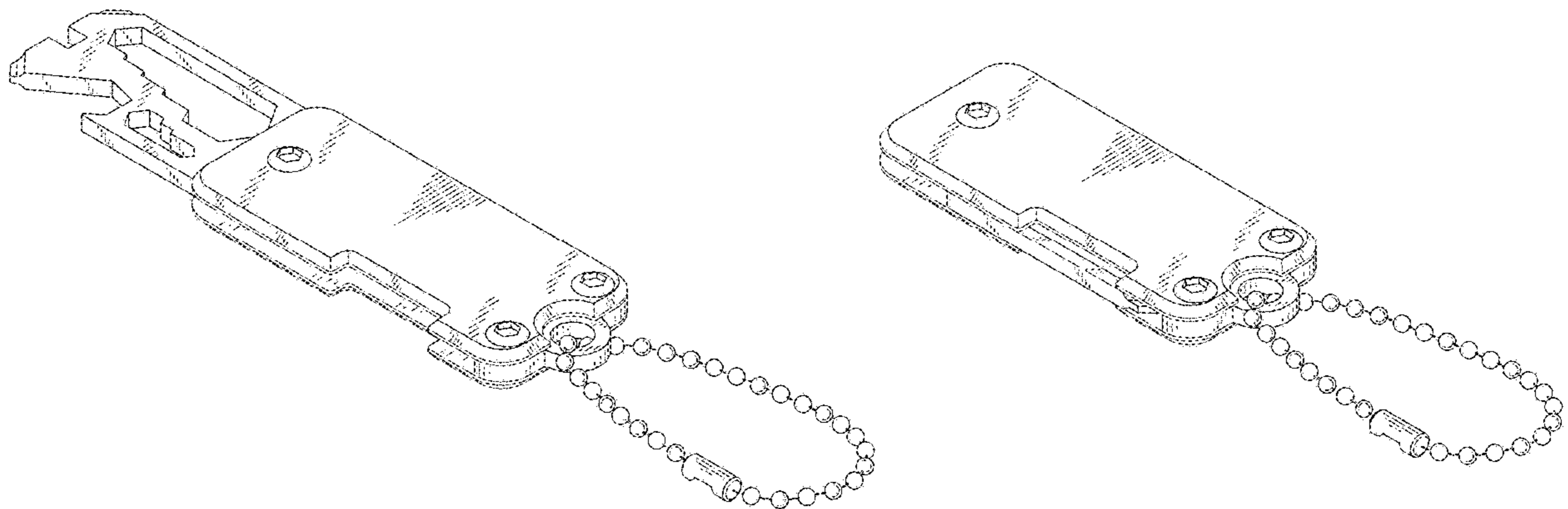
(57) **CLAIM**

The ornamental design for a folding multitool, as shown and described.

DESCRIPTION

FIG. 1 is a perspective view of a folding multitool showing my new design in an open position;
FIG. 2 is a perspective view of the folding multitool of FIG. 1 shown in a closed position;
FIG. 3 is a front view of the folding multitool of FIG. 1 in an open position;
FIG. 4 is a rear view thereof;
FIG. 5 is a left view thereof;
FIG. 6 is a right view thereof;
FIG. 7 is a top view thereof; and,
FIG. 8 is a bottom view thereof.

1 Claim, 6 Drawing Sheets



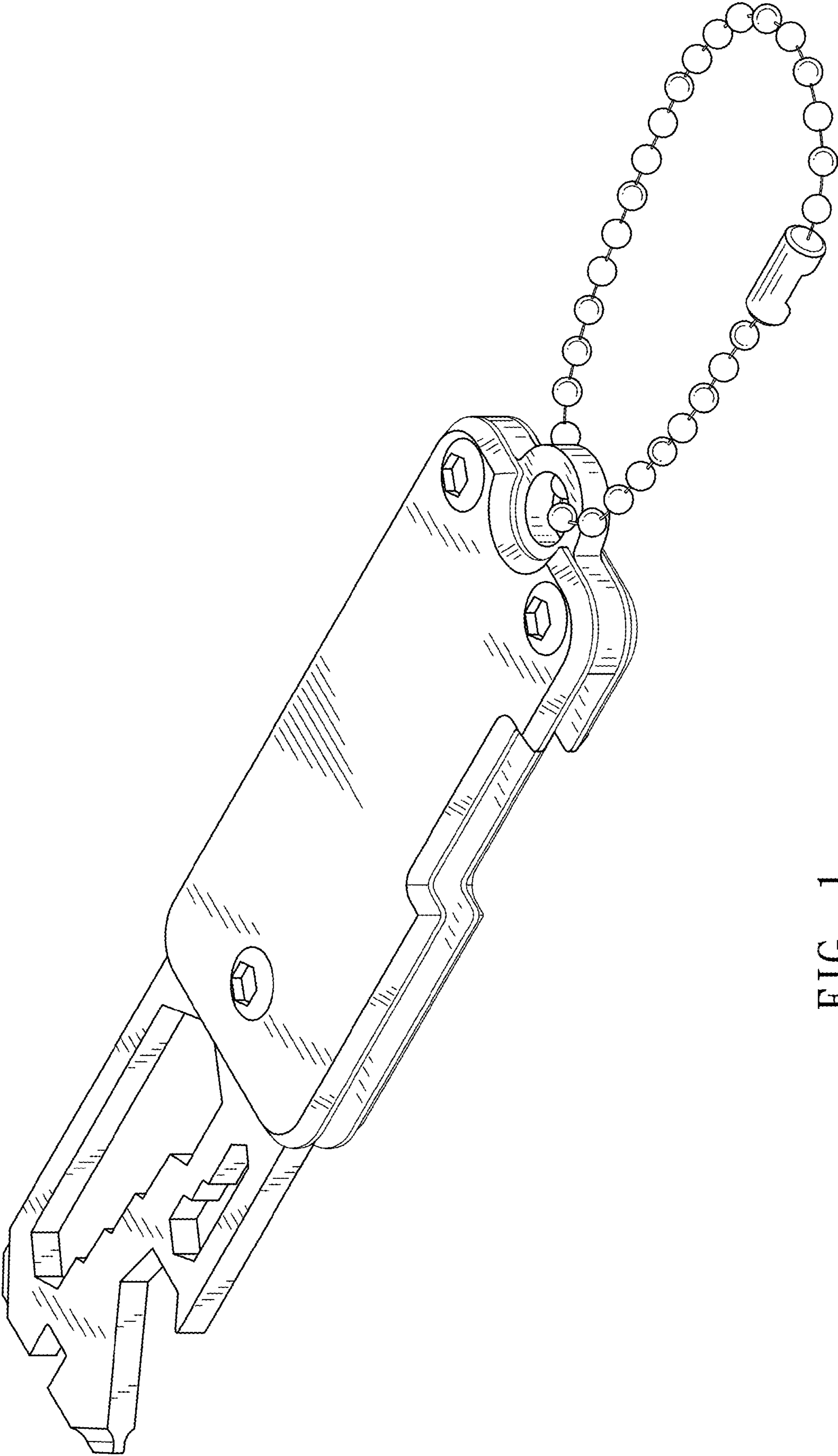


FIG. 1

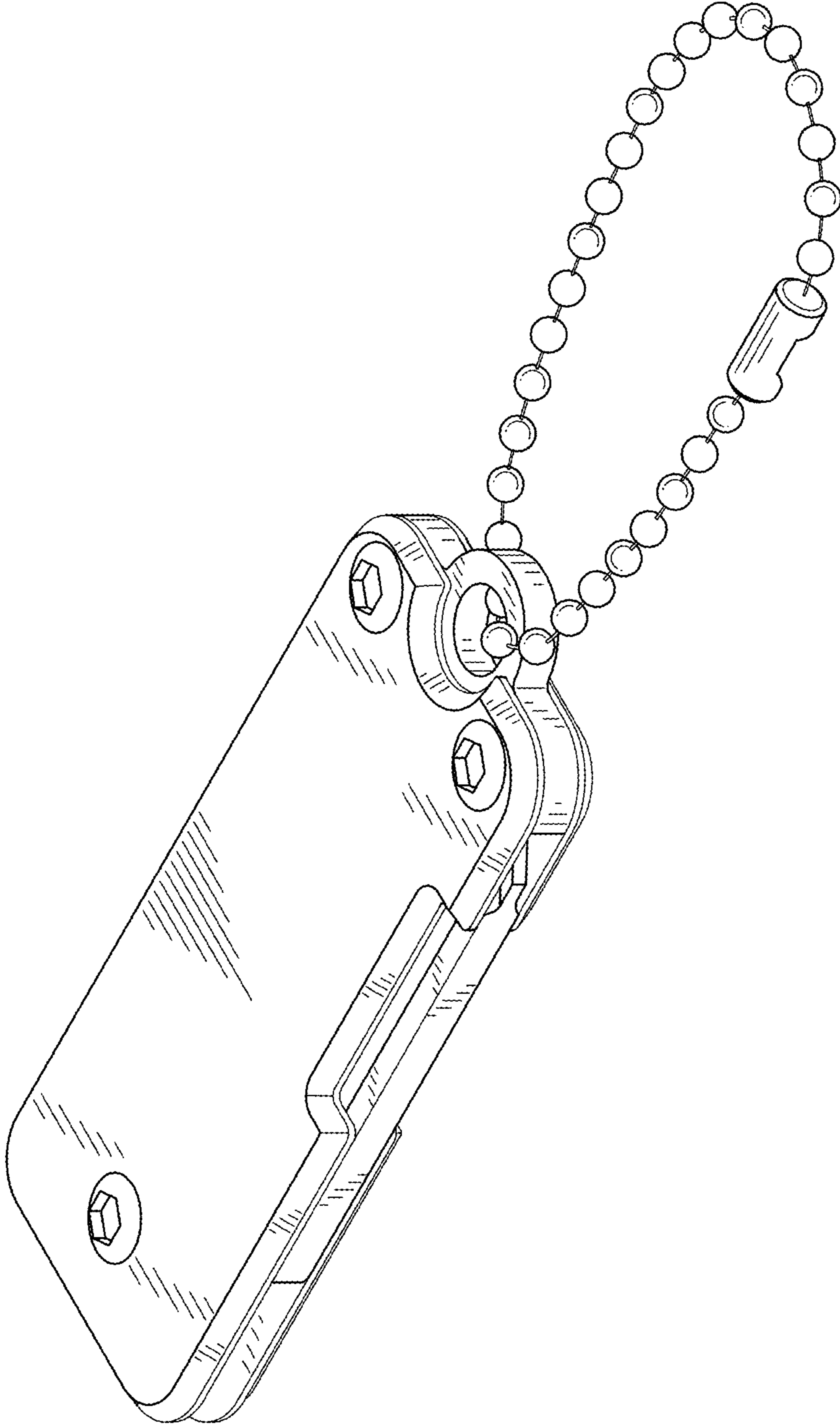


FIG. 2

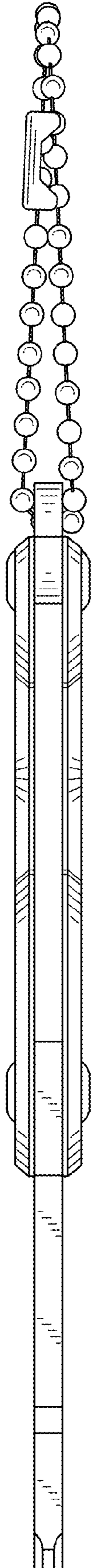


FIG. 3

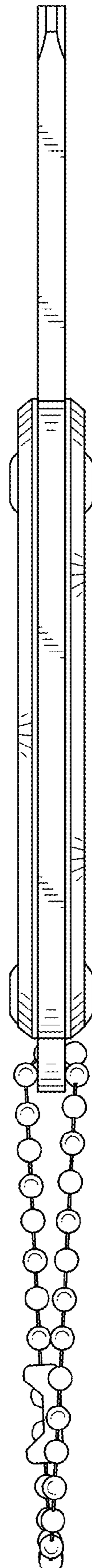


FIG. 4

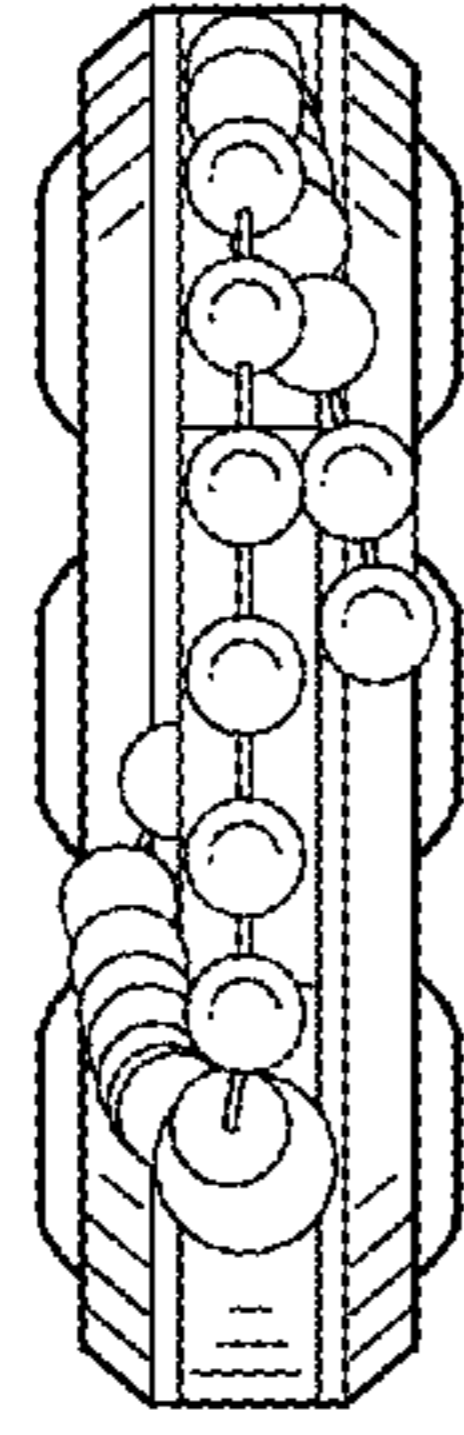


FIG. 6

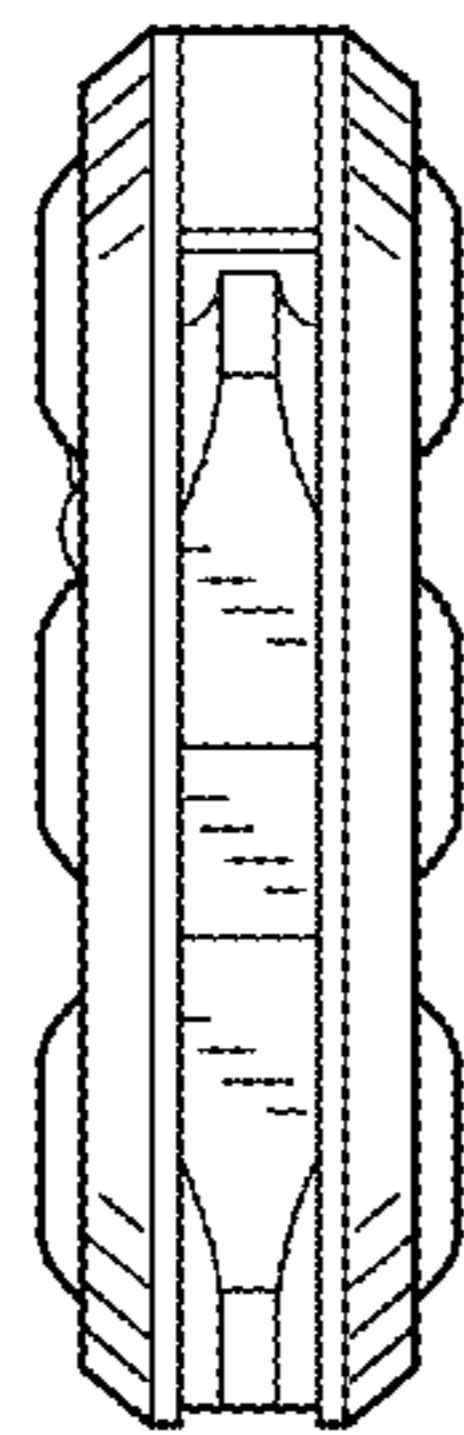


FIG. 5

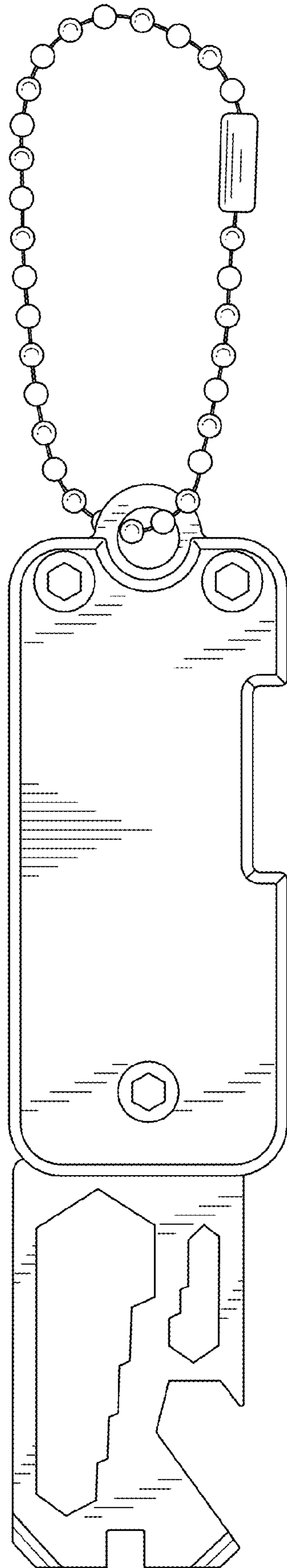


FIG. 7

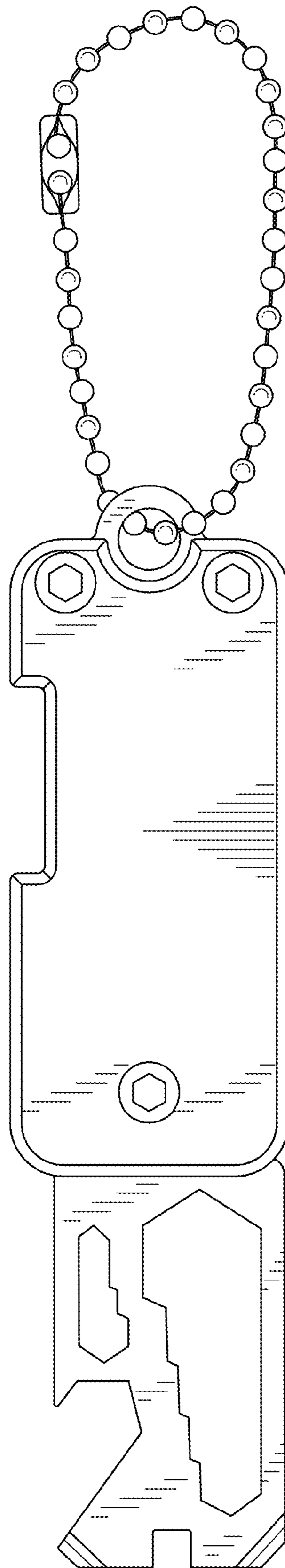


FIG. 8