



US00D893975S

(12) **United States Design Patent**
Tran et al.

(10) **Patent No.:** **US D893,975 S**

(45) **Date of Patent:** **** Aug. 25, 2020**

(54) **SEPARABLE TOOL AND CLIP COMBINATION**

(71) Applicants: **Thuan Tran**, Santa Clara, CA (US);
Charlie Carroll, Palo Alto, CA (US);
Binh Tran, Santa Clara, CA (US)

(72) Inventors: **Thuan Tran**, Santa Clara, CA (US);
Charlie Carroll, Palo Alto, CA (US);
Binh Tran, Santa Clara, CA (US)

(73) Assignee: **Dango, Inc.**, Santa Clara, CA (US)

(**) Term: **15 Years**

(21) Appl. No.: **29/677,124**

(22) Filed: **Jan. 17, 2019**

(51) **LOC (12) Cl.** **08-05**

(52) **U.S. Cl.**
USPC **D8/105**; D8/19

(58) **Field of Classification Search**
USPC D8/105, 81, 88, 89, 14, 16-19, 21, 27,
D8/51, 98, 99, 104, 45, 48; D3/210
CPC . B25G 1/10; B25B 13/04; B66F 15/00; B66F
17/00
See application file for complete search history.

(56) **References Cited**

U.S. PATENT DOCUMENTS

D266,479	S	*	10/1982	Hayakawa	D8/17
D322,039	S	*	12/1991	Chien	D10/64
D360,815	S	*	8/1995	Padden	D8/105
D374,388	S	*	10/1996	Padden	D8/105
D416,581	S	*	11/1999	Cheng	D19/65
6,009,584	A	*	1/2000	Padden	A46B 7/023 15/201
6,044,967	A	*	4/2000	Painsith	A45C 11/00 206/234
6,076,665	A	*	6/2000	Chuang	A45D 29/20 206/214
D431,105	S	*	9/2000	Ling	D3/228

6,145,994	A	*	11/2000	Ng	B25F 1/02 206/234
D434,624	S	*	12/2000	Padden	D8/105
D444,060	S	*	6/2001	Elsener, Sr.	D9/418
6,347,875	B1	*	2/2002	Painsith	A45C 11/00 362/118
D462,000	S	*	8/2002	Hightower	D8/40
6,460,698	B1	*	10/2002	Wang	B25F 1/02 206/234

(Continued)

Primary Examiner — Janice Hallmark

(74) *Attorney, Agent, or Firm* — Patent Law Office PC;
Bao Tran

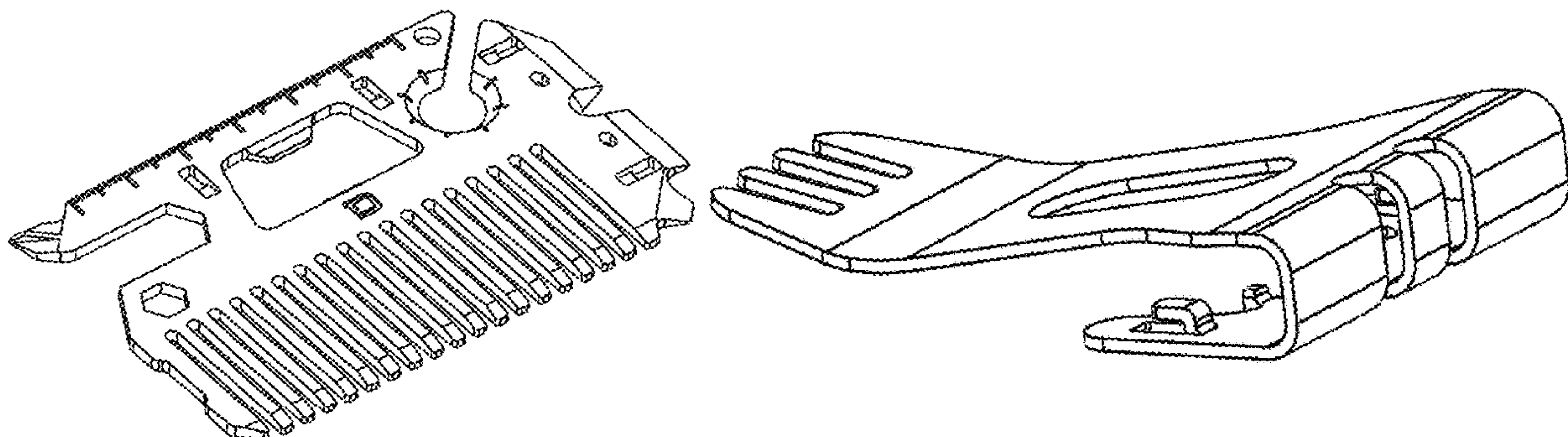
(57) **CLAIM**

The ornamental design for a separable tool and clip combination, as shown and described.

DESCRIPTION

FIG. 1 is a front view of the tool portion of a separable tool and clip combination showing our new design;
 FIG. 2 is a top view thereof;
 FIG. 3 is a bottom view thereof;
 FIG. 4 is a left view thereof;
 FIG. 5 is a right view thereof;
 FIG. 6 is a perspective view thereof;
 FIG. 7 is a side view of the clip portion of the separable tool and clip combination;
 FIG. 8 is a front view thereof;
 FIG. 9 is a rear view thereof;
 FIG. 10 is a perspective side view thereof;
 FIG. 11 is a front view of the separable tool and clip combination;
 FIG. 12 is a side view thereof;
 FIG. 13 is a top view thereof;
 FIG. 14 is a bottom view thereof;
 FIG. 15 is a left view thereof;
 FIG. 16 is a right view thereof; and,
 FIG. 17 is a perspective view thereof.

1 Claim, 5 Drawing Sheets



(56)

References Cited

U.S. PATENT DOCUMENTS

D517,390	S *	3/2006	Cheng	D8/105
D707,091	S *	6/2014	Barr	D8/16
D743,760	S *	11/2015	Barr	D8/19
D751,877	S *	3/2016	Shlaferman	D8/19
D765,487	S *	9/2016	Barr	D8/99
D772,678	S *	11/2016	Haarburger	D8/105
D792,749	S *	7/2017	Faro	D8/19
D799,301	S *	10/2017	Cetera	D8/105
9,815,212	B2 *	11/2017	Barr	B26B 1/044
D805,873	S *	12/2017	Cetera	D8/105
D808,765	S *	1/2018	Kisling	D8/105
D815,932	S *	4/2018	Lee	D8/27
D815,935	S *	4/2018	Barak	D8/105
D817,196	S *	5/2018	Haarburger	D10/64
D827,408	S *	9/2018	Stefanczyk-Lacor	D8/105
10,206,473	B2 *	2/2019	Haarburger	A45C 13/001
D842,070	S *	3/2019	Kisling	D8/105
D866,276	S *	11/2019	Shlaferman	D8/19
10,512,316	B2 *	12/2019	Haarburger	A45C 1/06
D875,490	S *	2/2020	Barr	D8/38
D877,594	S *	3/2020	Liang	D8/105
D878,891	S *	3/2020	Polczynski	D8/105
D878,893	S *	3/2020	Kao	D8/105
D879,580	S *	3/2020	Spater	D8/105
D881,671	S *	4/2020	Kao	D8/105
2002/0179463	A1 *	12/2002	Newman	A45C 11/00 206/234
2014/0143958	A1 *	5/2014	Barr	B25F 1/00 7/138
2015/0240524	A1 *	8/2015	Olroyd	E05B 19/20 81/15.9

* cited by examiner

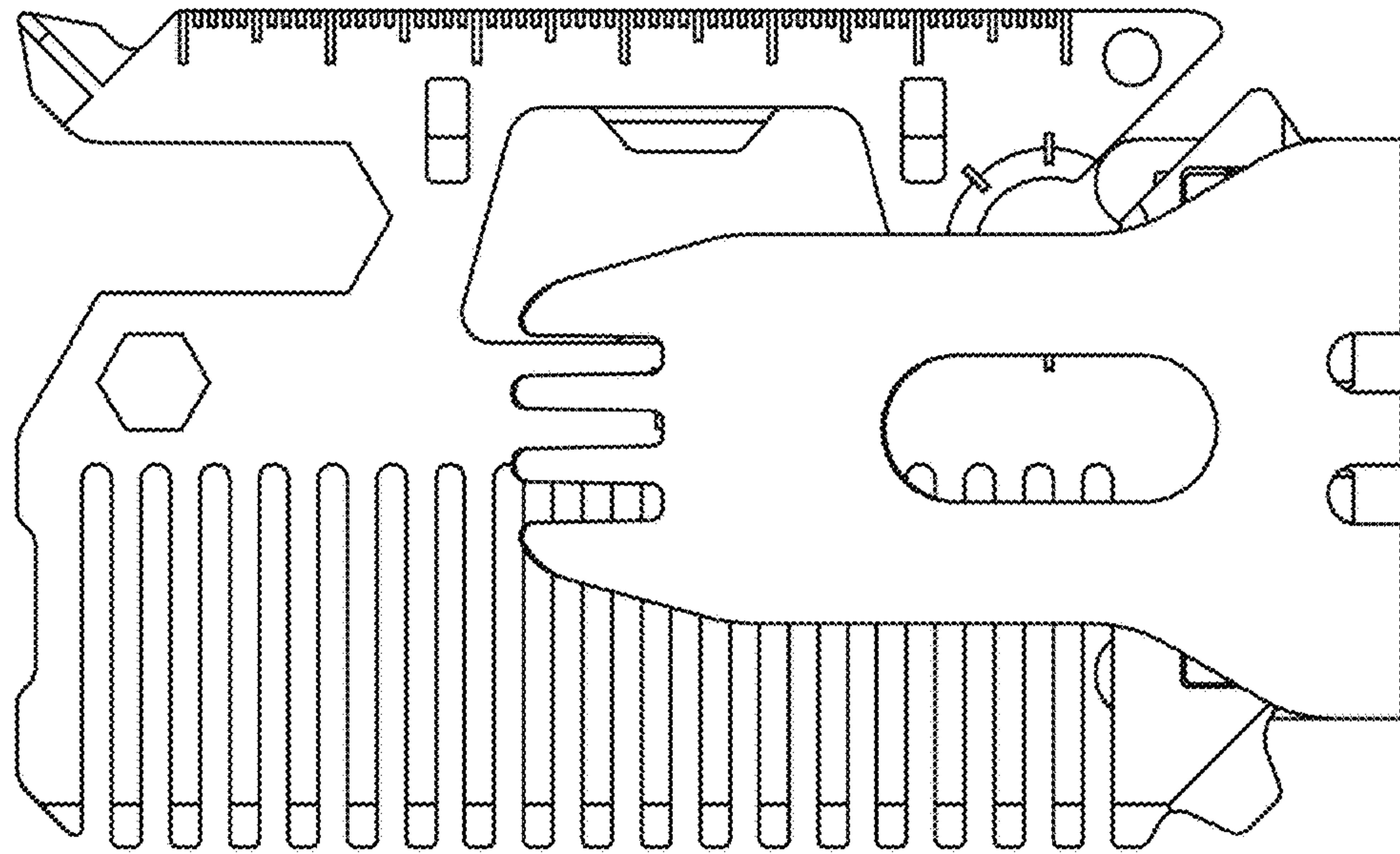


FIG. 1

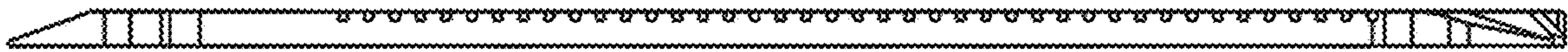


FIG. 2



FIG. 3



FIG. 4



FIG. 5

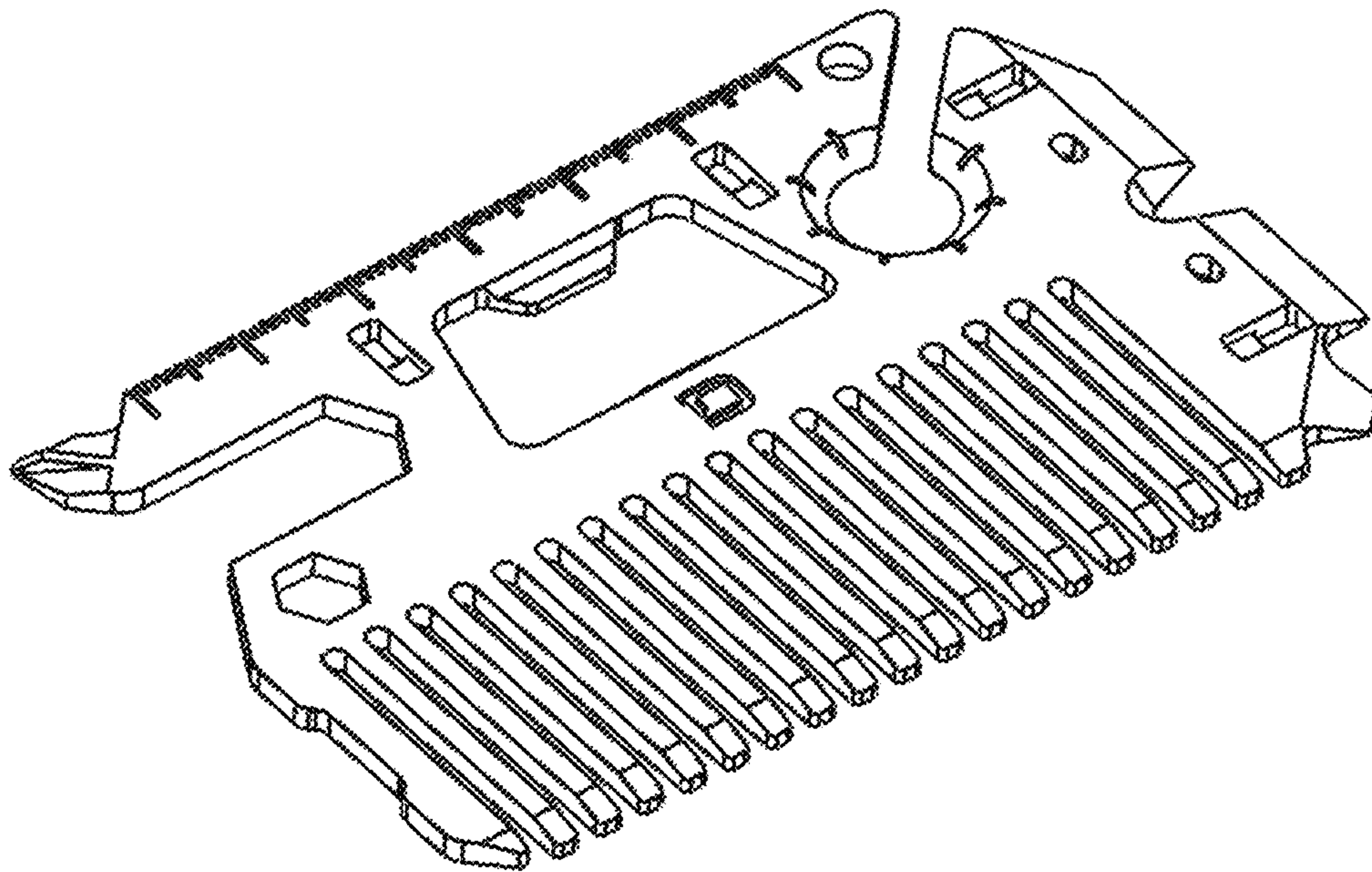


FIG. 6

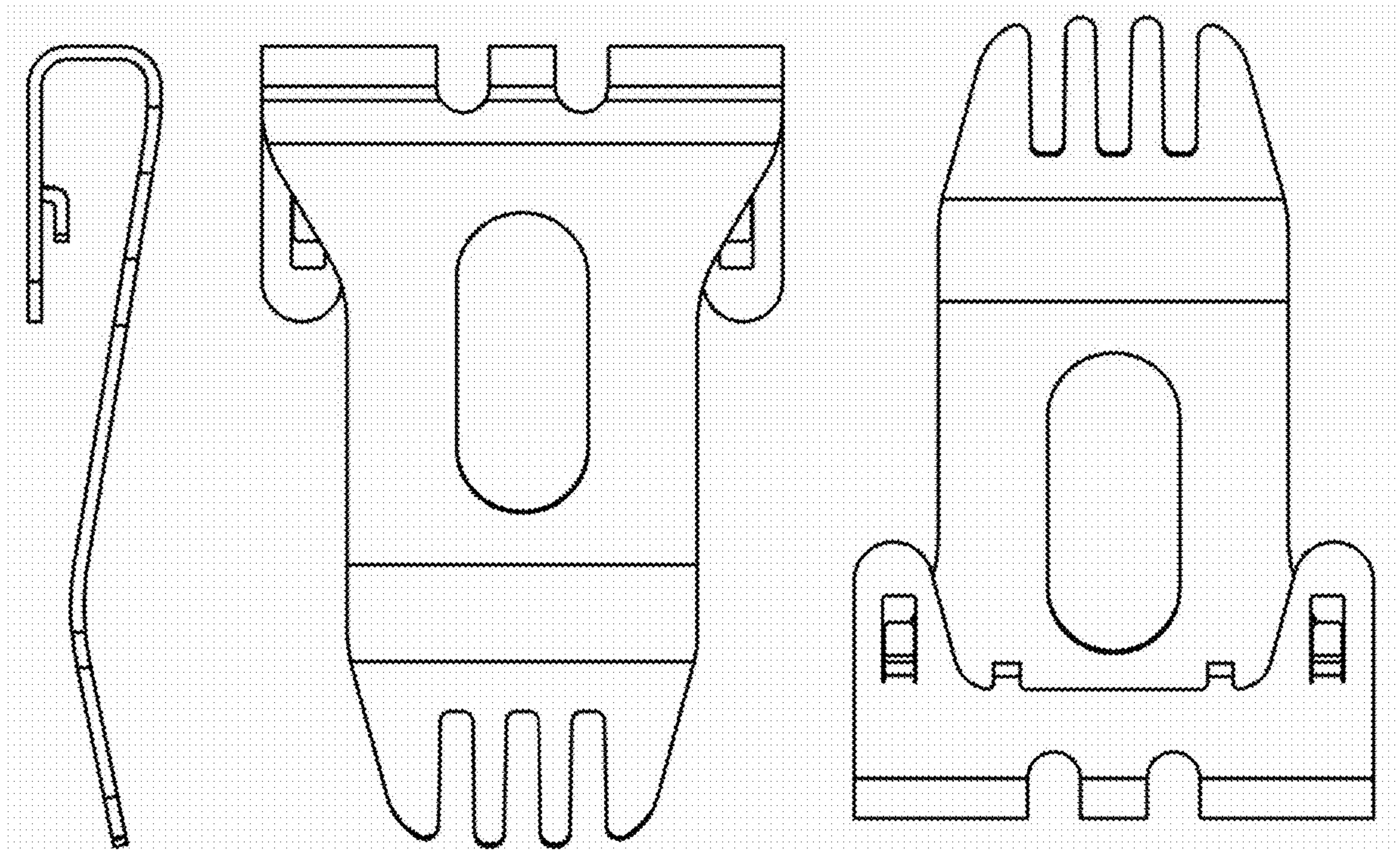


FIG. 7

FIG. 8

FIG. 9

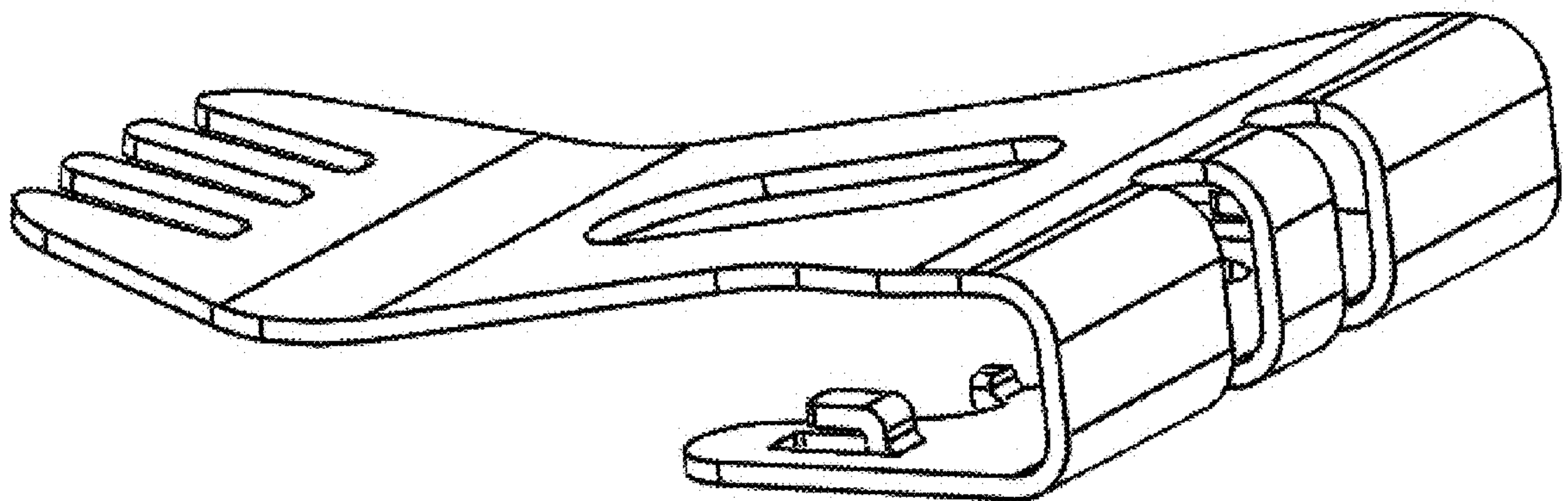


FIG. 10

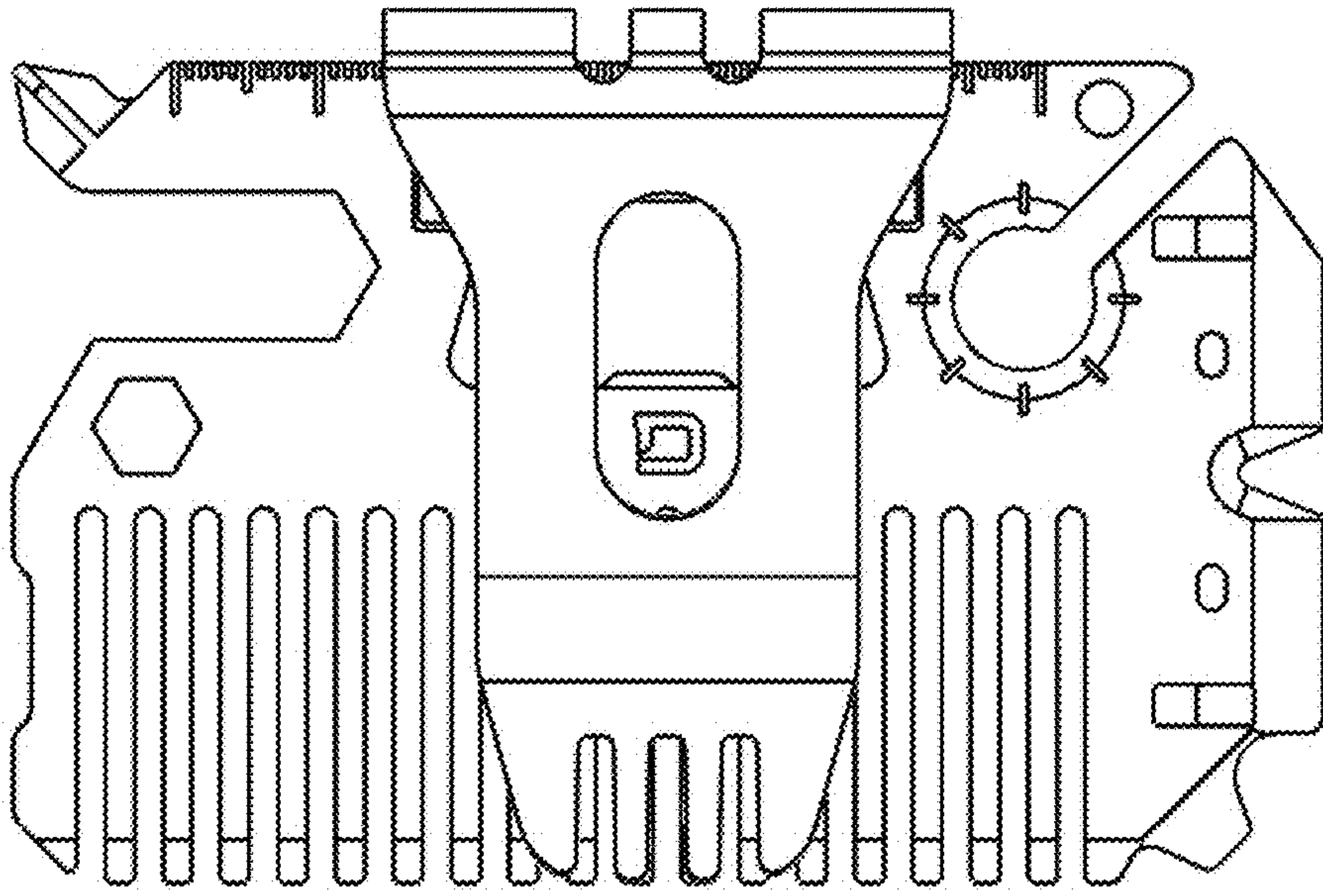


FIG. 11

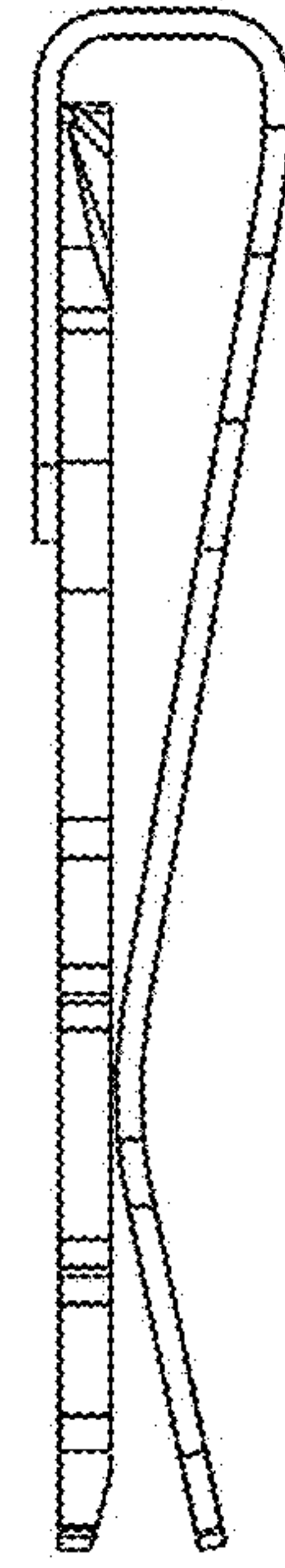


FIG. 12

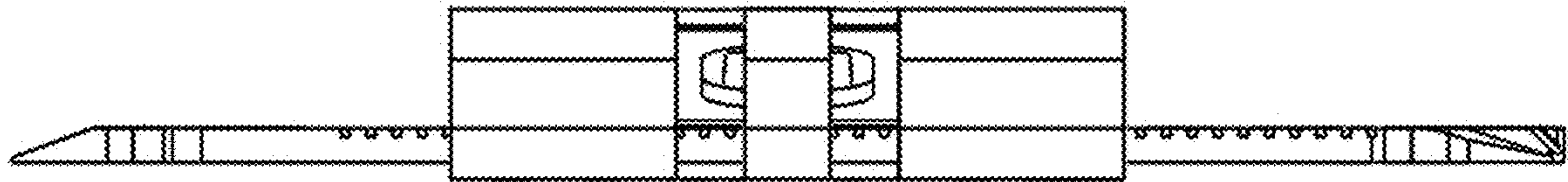


FIG. 13

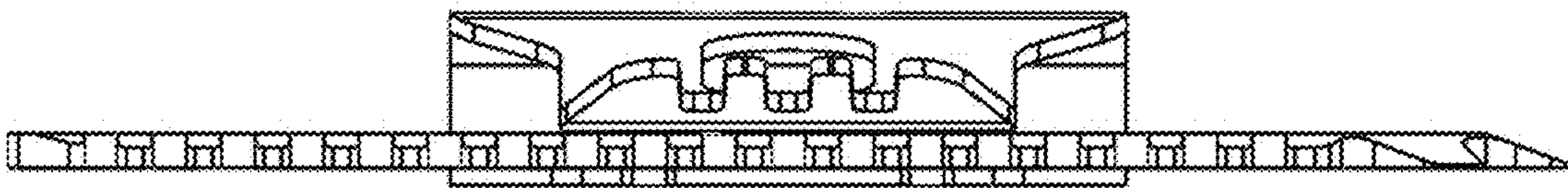


FIG. 14

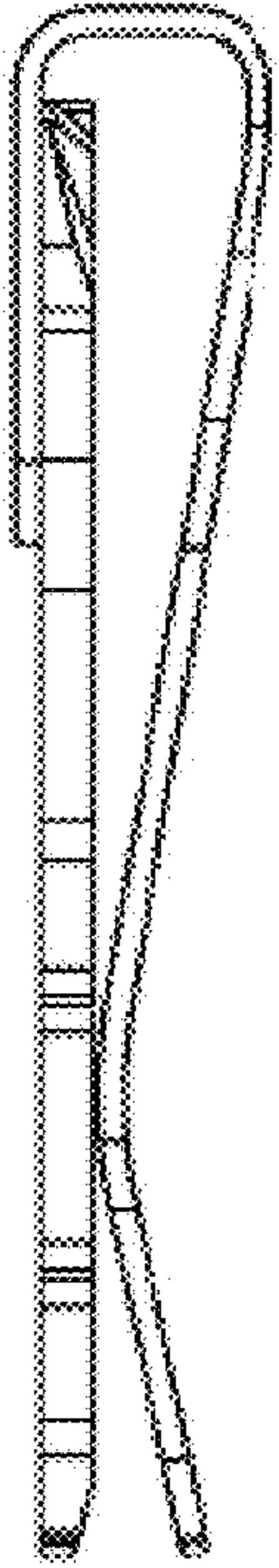


FIG. 15

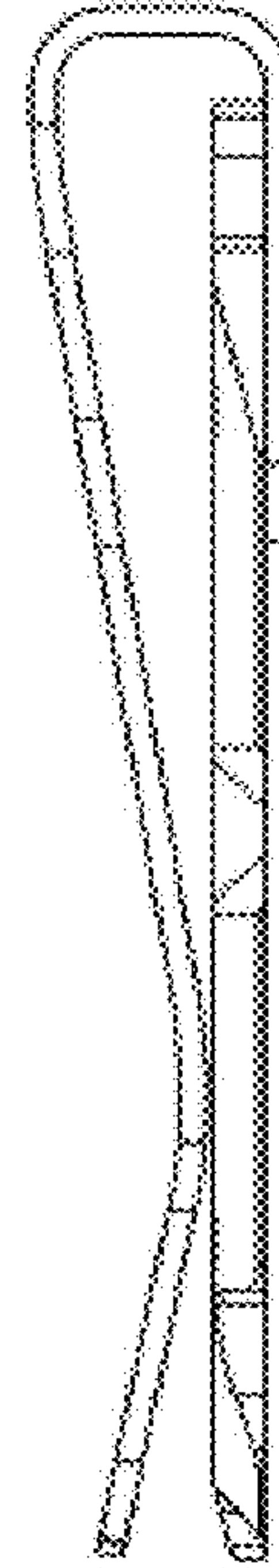


FIG. 16

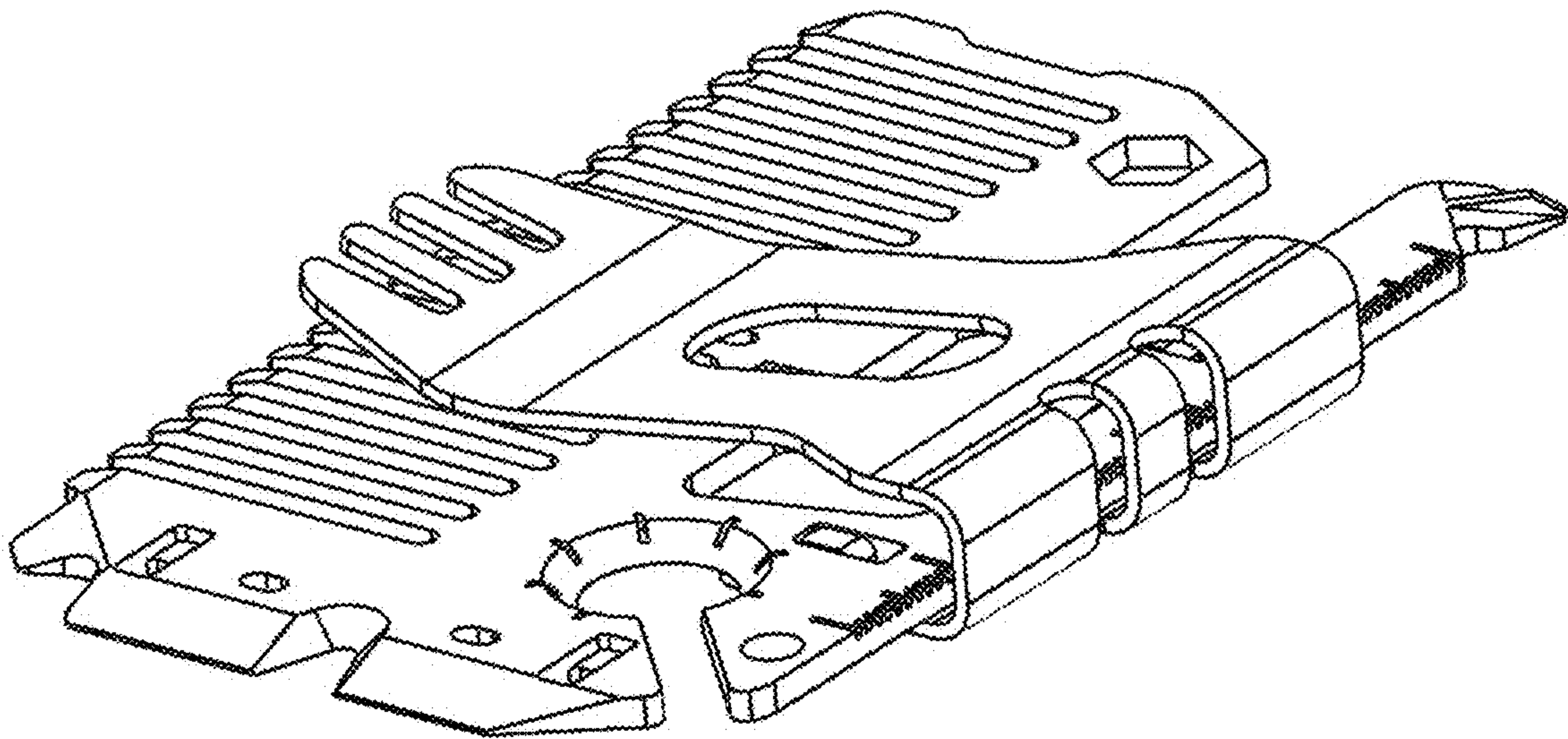


FIG. 17