



US00D893972S

(12) **United States Design Patent**
Nguyen et al.

(10) **Patent No.:** **US D893,972 S**

(45) **Date of Patent:** **** Aug. 25, 2020**

(54) **CLAMP**

(71) Applicant: **RB Distribution, Inc.**, Colmar, PA (US)

(72) Inventors: **Tam Van Nguyen**, Philadelphia, PA (US); **Matthew May**, Hatboro, PA (US); **David P. Cimbolo**, Lake Harmony, PA (US)

(73) Assignee: **RB Distribution, Inc.**, Colmar, PA (US)

(**) Term: **15 Years**

(21) Appl. No.: **29/685,658**

(22) Filed: **Mar. 29, 2019**

(51) **LOC (12) Cl.** **08-05**

(52) **U.S. Cl.**
USPC **D8/72**

(58) **Field of Classification Search**
USPC D8/51, 71, 72, 73, 74, 394
CPC B25B 5/06; B25B 5/068; B25B 5/163;
B25B 5/16; Y10T 29/49998
See application file for complete search history.

(56) **References Cited**

U.S. PATENT DOCUMENTS

D488,043 S *	4/2004	Ben-Gigi	D8/72
D494,828 S *	8/2004	Phillips	D8/72
D516,892 S *	3/2006	Ping	D8/72
7,017,894 B1 *	3/2006	Lin	B25B 5/068 269/171.5
D541,614 S *	5/2007	Wang	D8/74
D545,162 S *	6/2007	Ranieri	D8/73
D555,454 S *	11/2007	Noniewicz	D8/72
D597,814 S *	8/2009	Yang	D8/72
D619,441 S *	7/2010	Yang	D8/72
D622,121 S *	8/2010	Weinberg	D8/72
7,784,774 B2 *	8/2010	Fuller	B25B 5/068 269/166

D668,127 S *	10/2012	Yang	D8/72
D740,639 S *	10/2015	Wang	D8/72
9,751,193 B2 *	9/2017	Evatt	B25B 5/166
2007/0187879 A1 *	8/2007	Ben-Gigi	B25B 5/163 269/6
2011/0266734 A1 *	11/2011	Chen	B25B 5/068 269/147
2013/0015617 A1 *	1/2013	Yang	B25B 5/068 269/208
2013/0264759 A1 *	10/2013	Kuo	B25B 5/163 269/6

* cited by examiner

Primary Examiner — Philip S Hyder

(74) *Attorney, Agent, or Firm* — Volpe and Koenig, P.C.

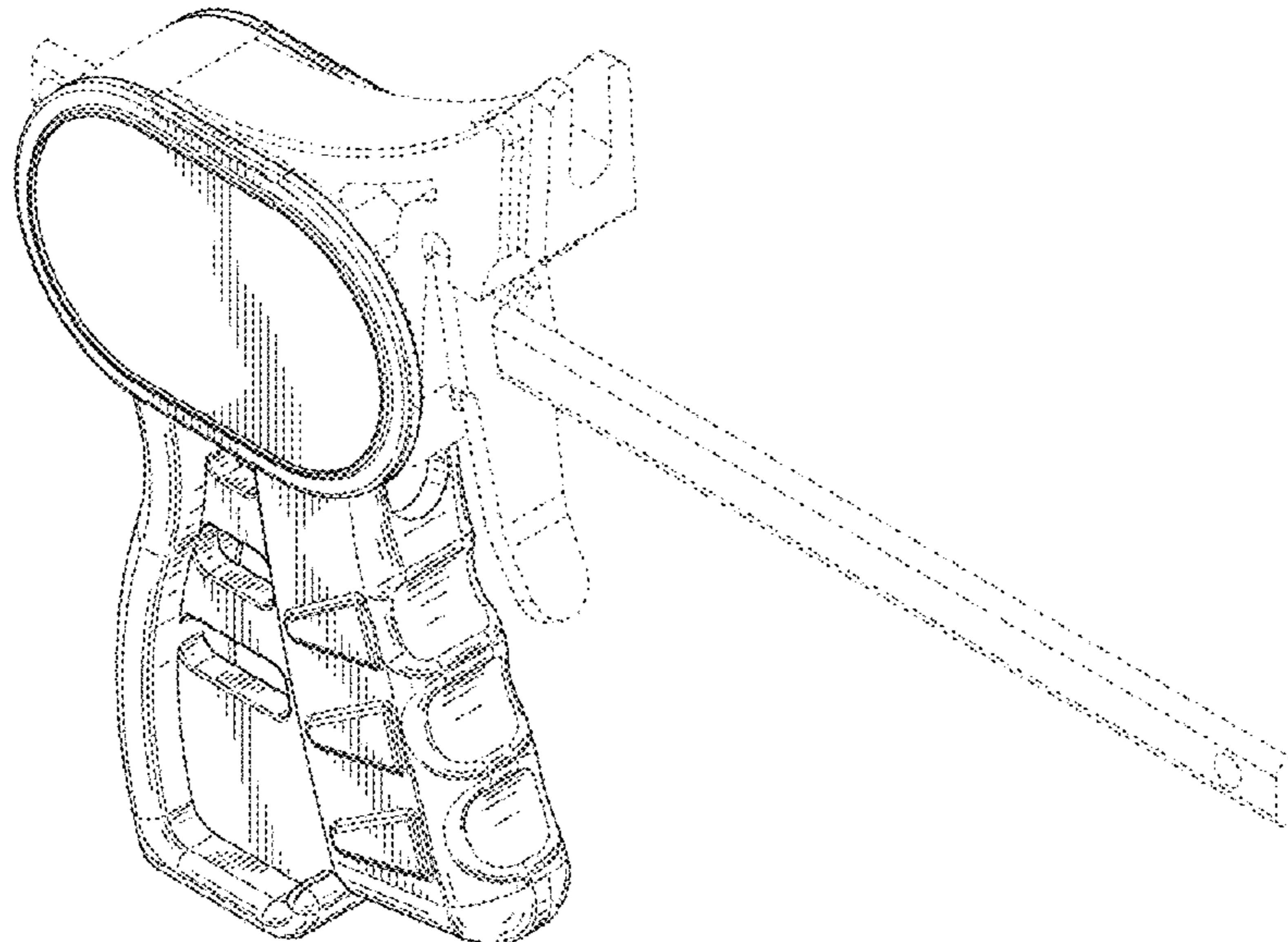
(57) **CLAIM**

The ornamental design for a clamp, as shown and described.

DESCRIPTION

FIG. 1 is a perspective view of our clamp;
 FIG. 2 is a right side view of our clamp;
 FIG. 3 is a left side view of our clamp;
 FIG. 4 is a front side view of our clamp;
 FIG. 5 is a back side view of our clamp;
 FIG. 6 is a top plan view of our clamp;
 FIG. 7 is a bottom plan view of our clamp;
 FIG. 8 is a perspective view of an alternative embodiment of our clamp;
 FIG. 9 is a right side view of our clamp;
 FIG. 10 is a left side view of our clamp;
 FIG. 11 is a front side view of our clamp;
 FIG. 12 is a back side view of our clamp;
 FIG. 13 is a top plan view of our clamp; and,
 FIG. 14 is a bottom plan view of our clamp.
 The broken lines depict portions of the clamp in which the design is embodied that are not considered part of the claimed design.

1 Claim, 10 Drawing Sheets



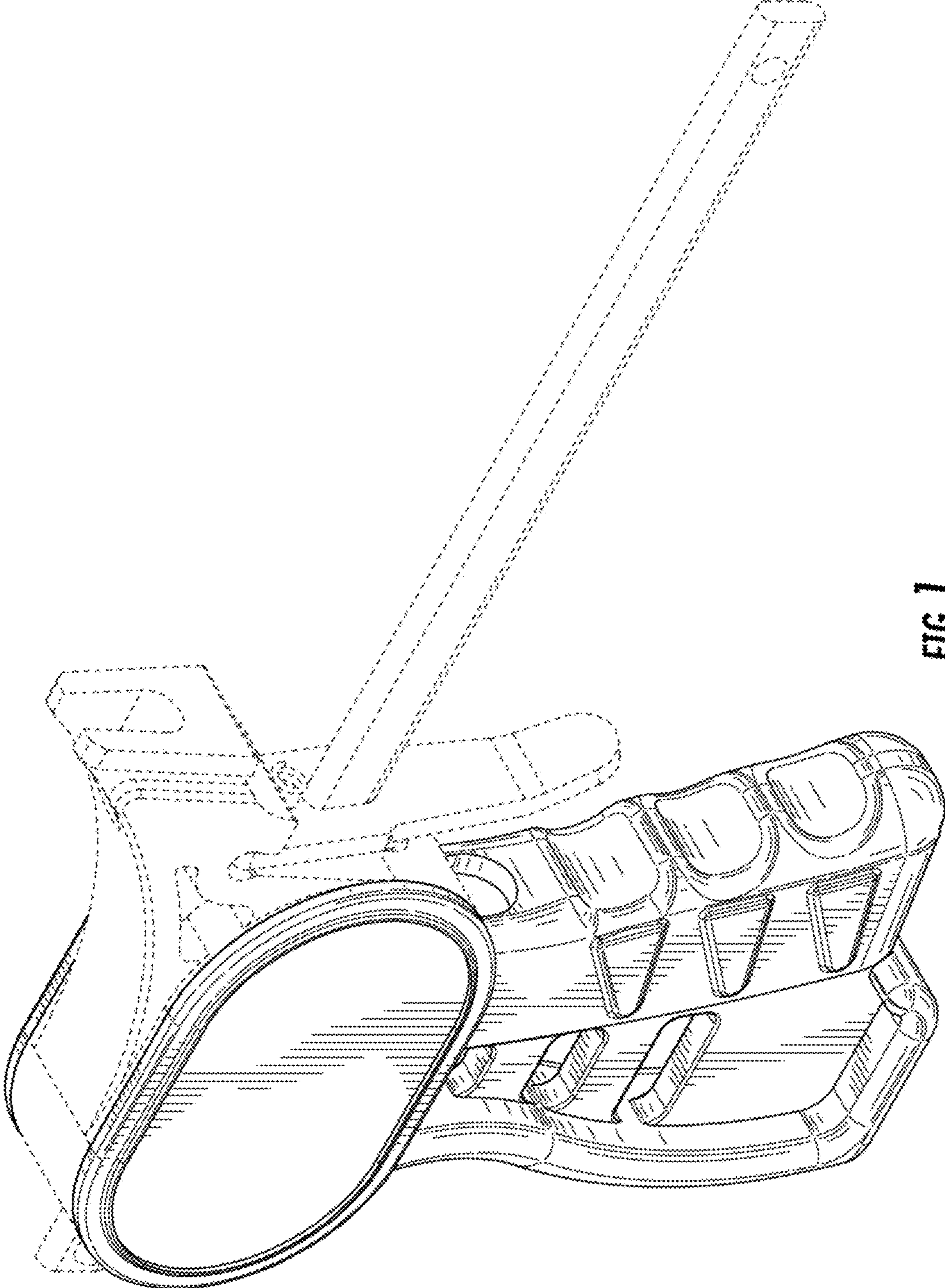


FIG. 1

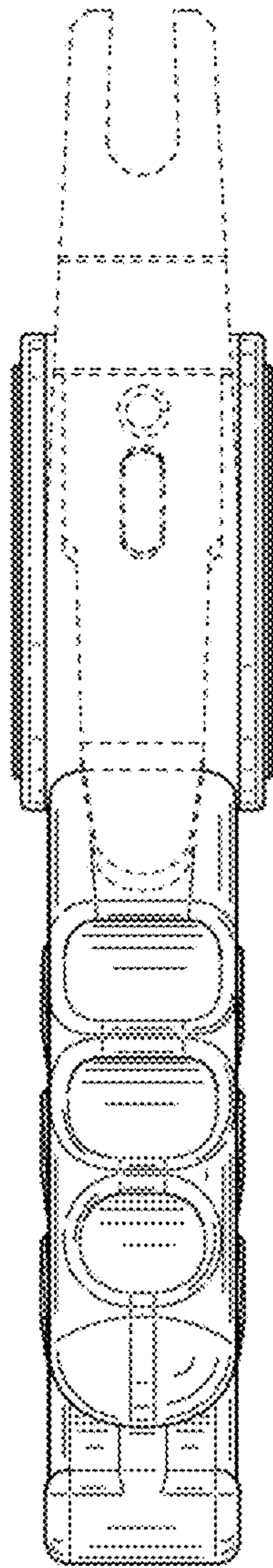


FIG. 2

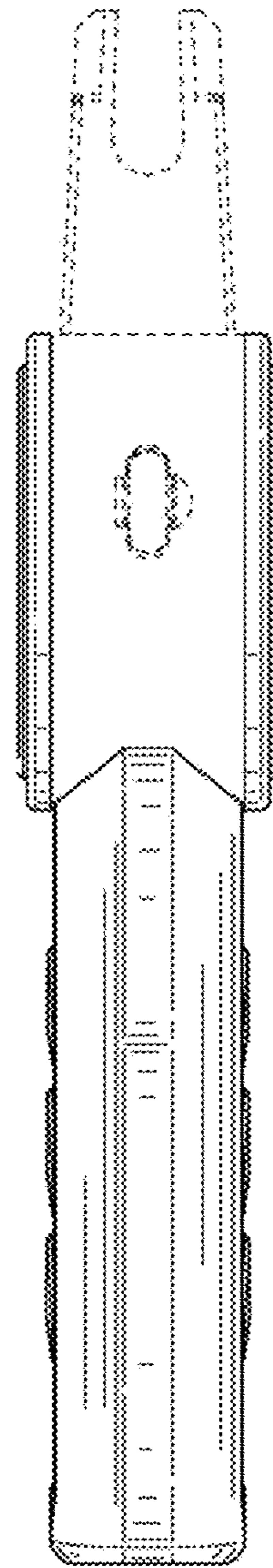


FIG. 3

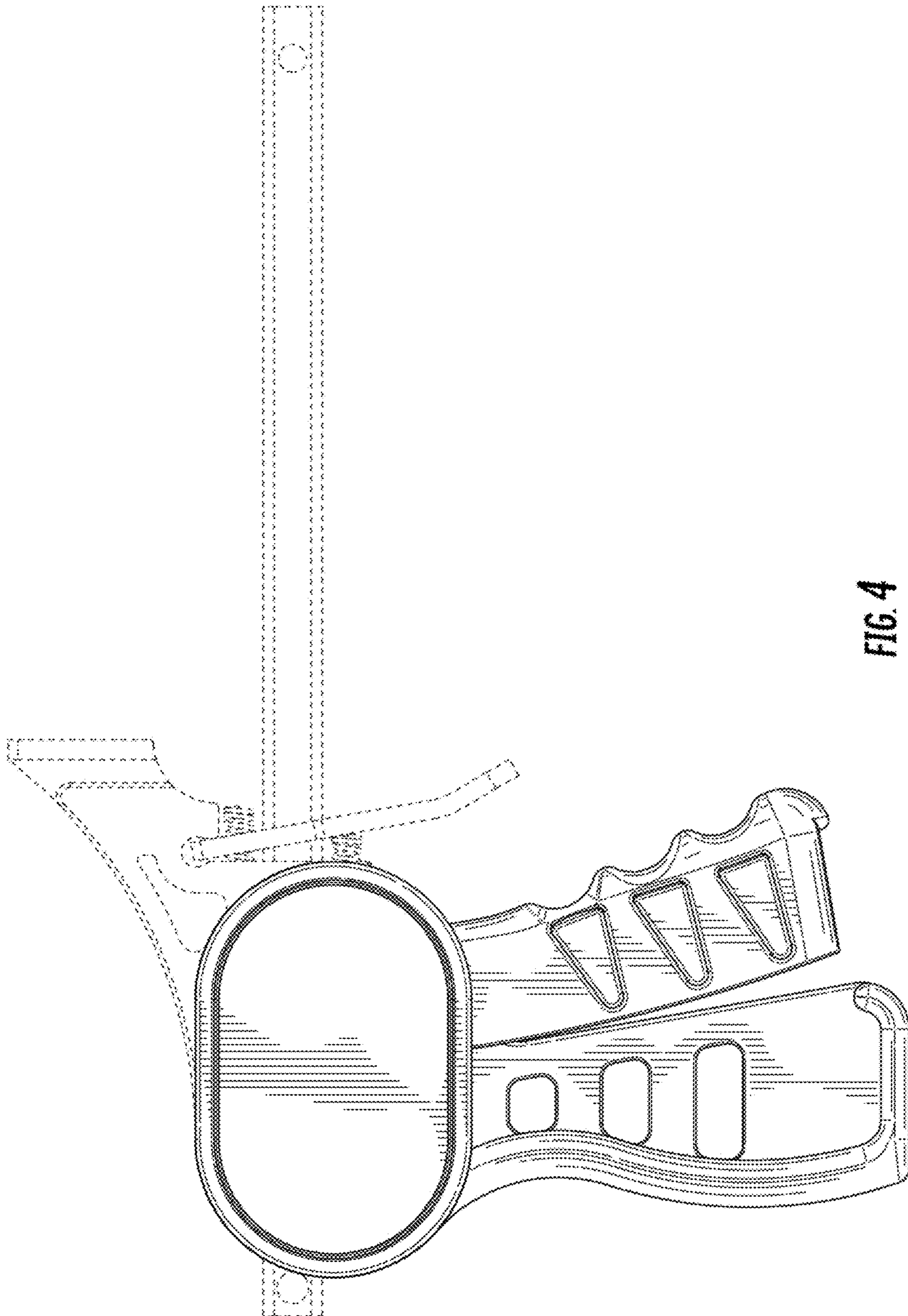


FIG. 4

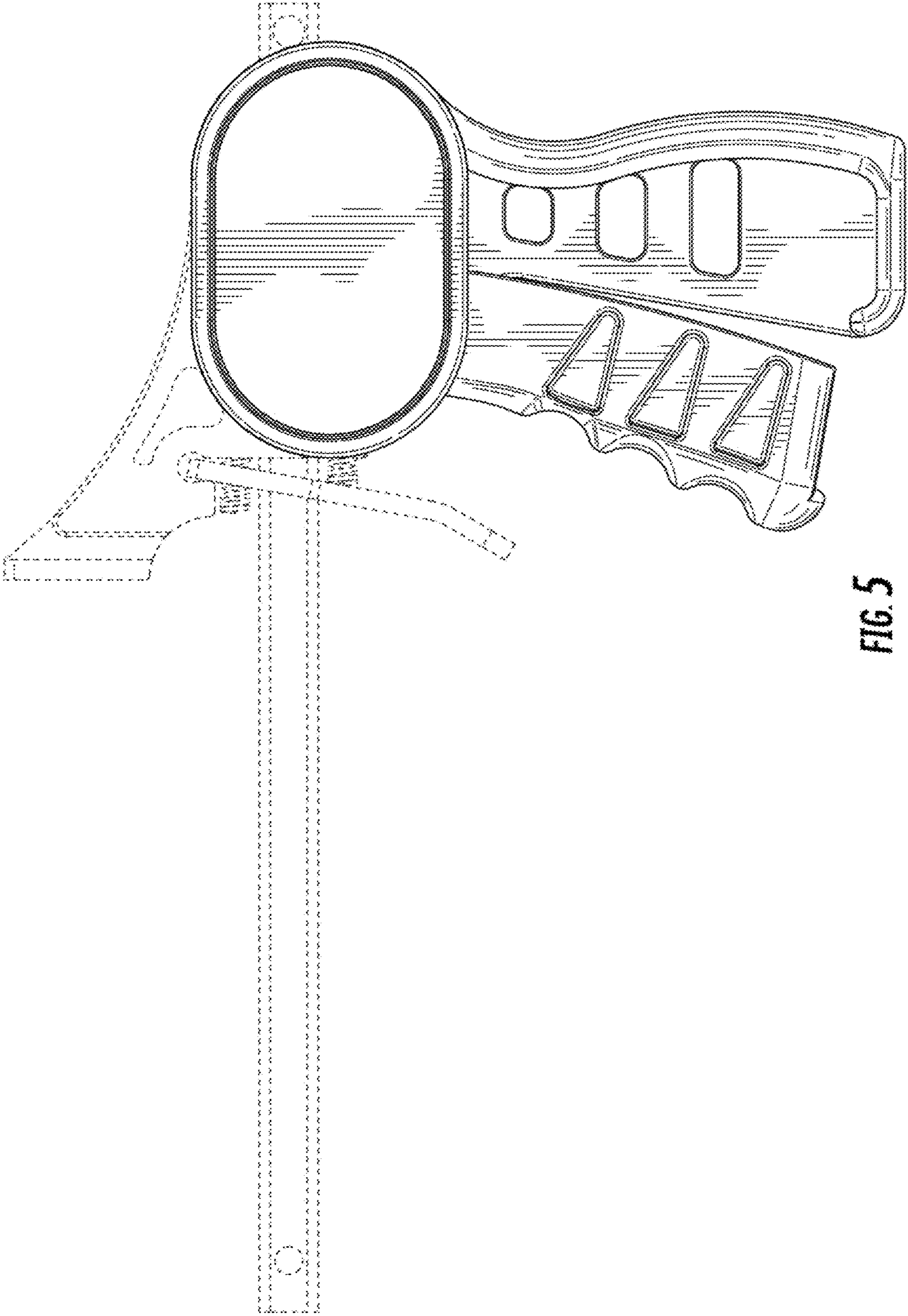


FIG. 5

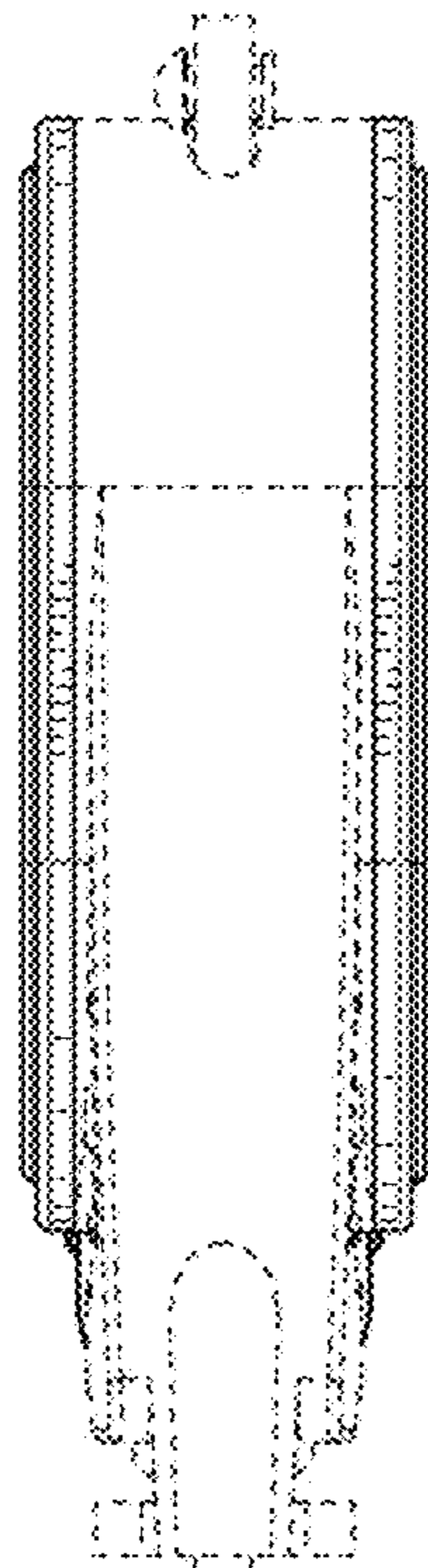


FIG. 6

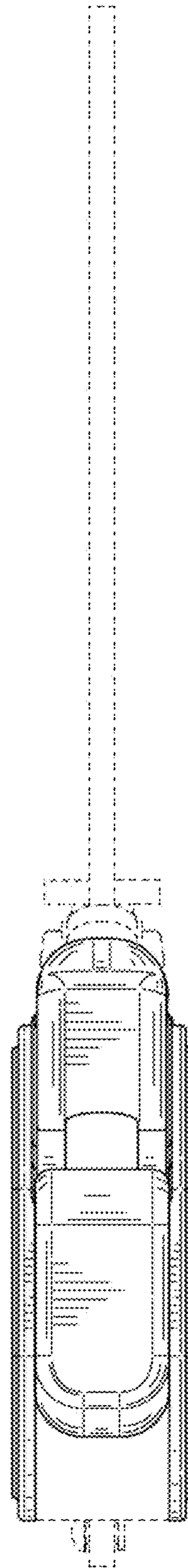


FIG. 7

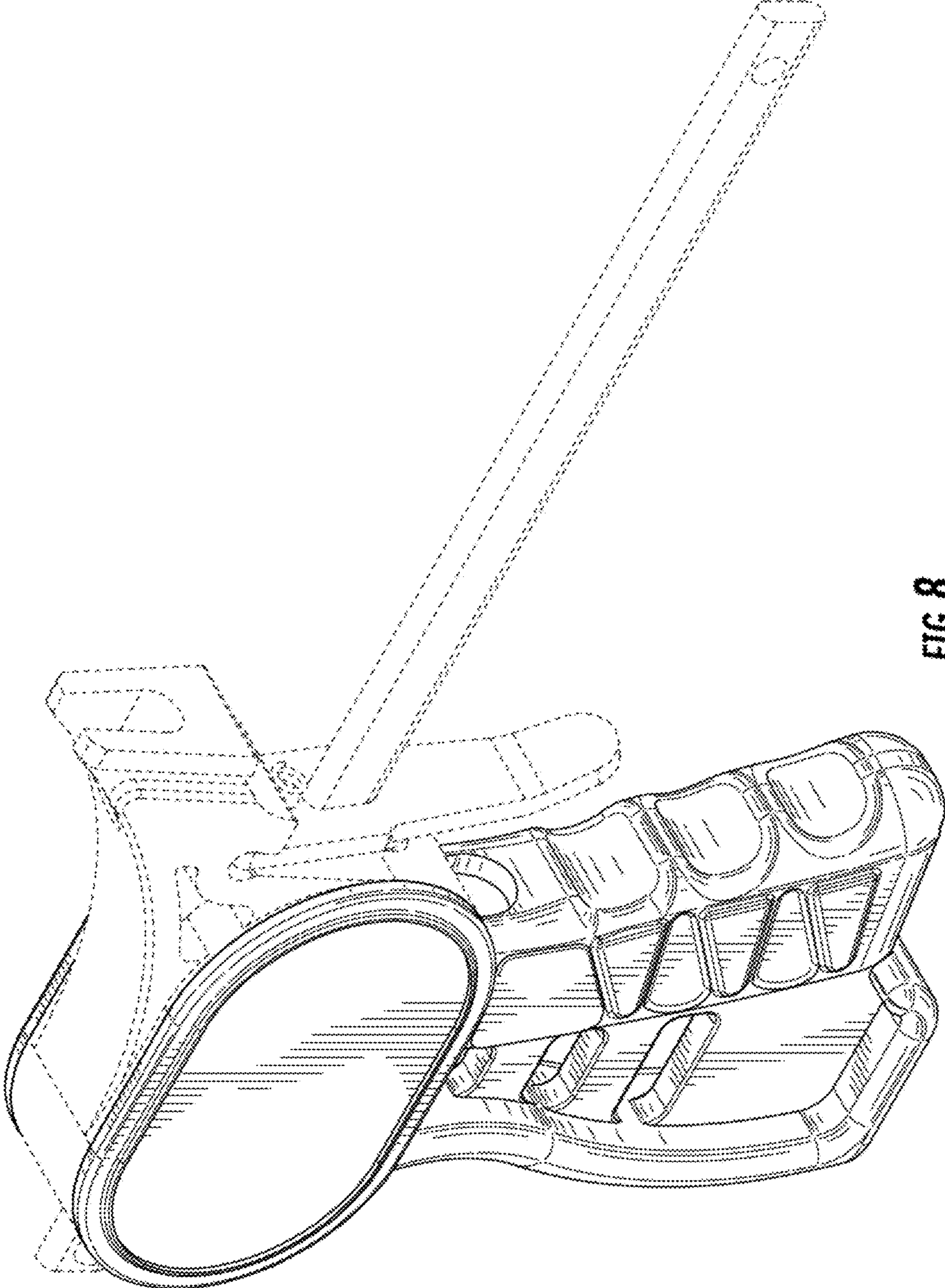


FIG. 8

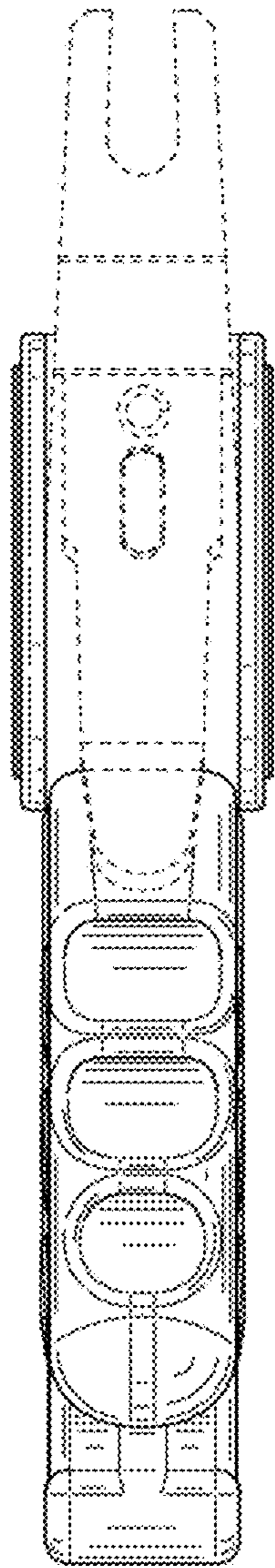


FIG. 9

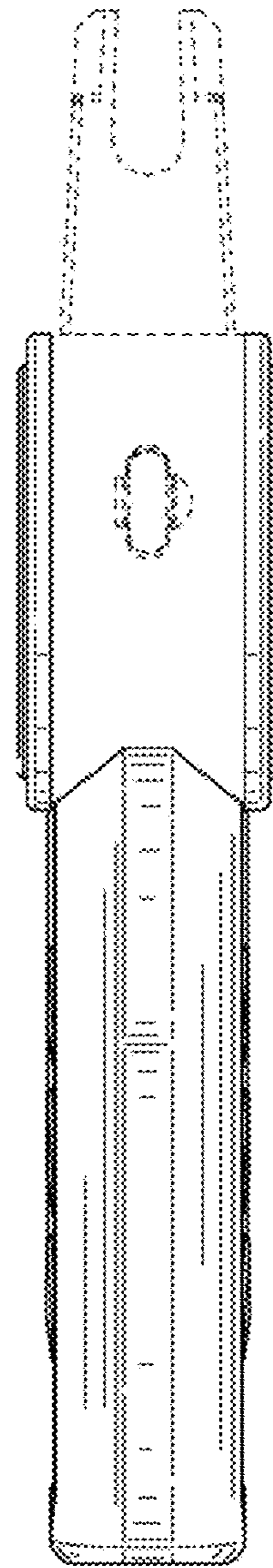


FIG. 10

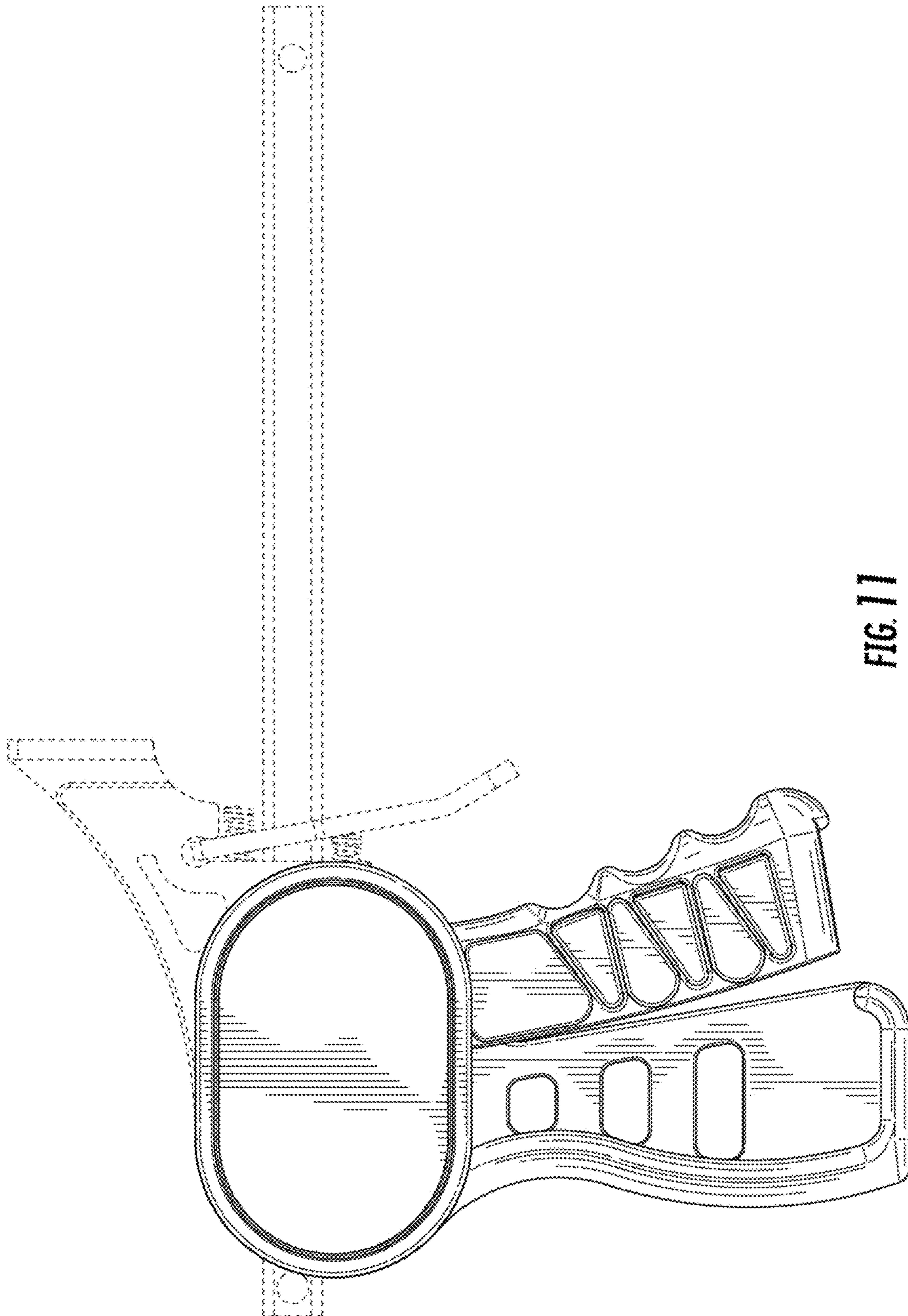


FIG. 11

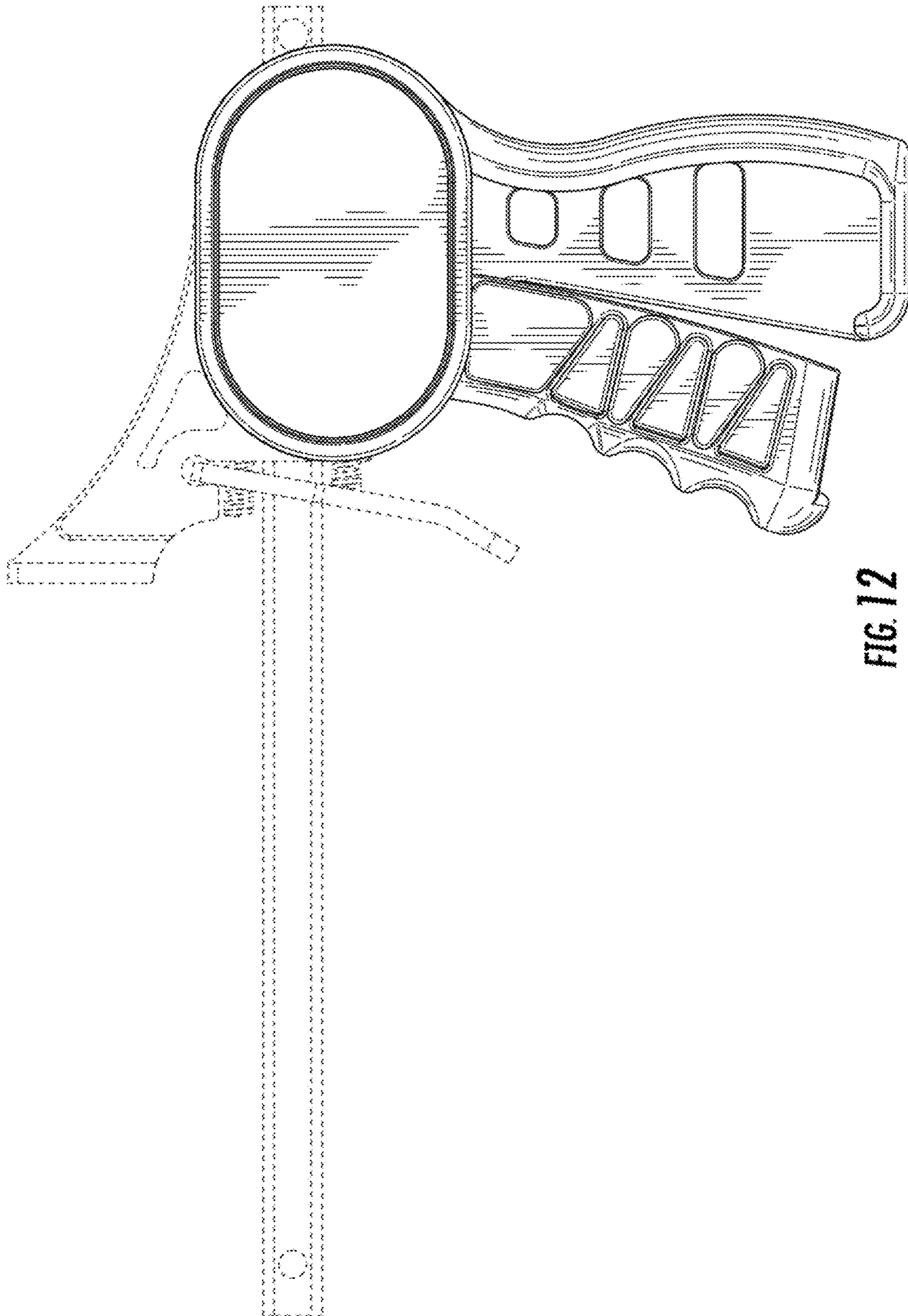


FIG. 12

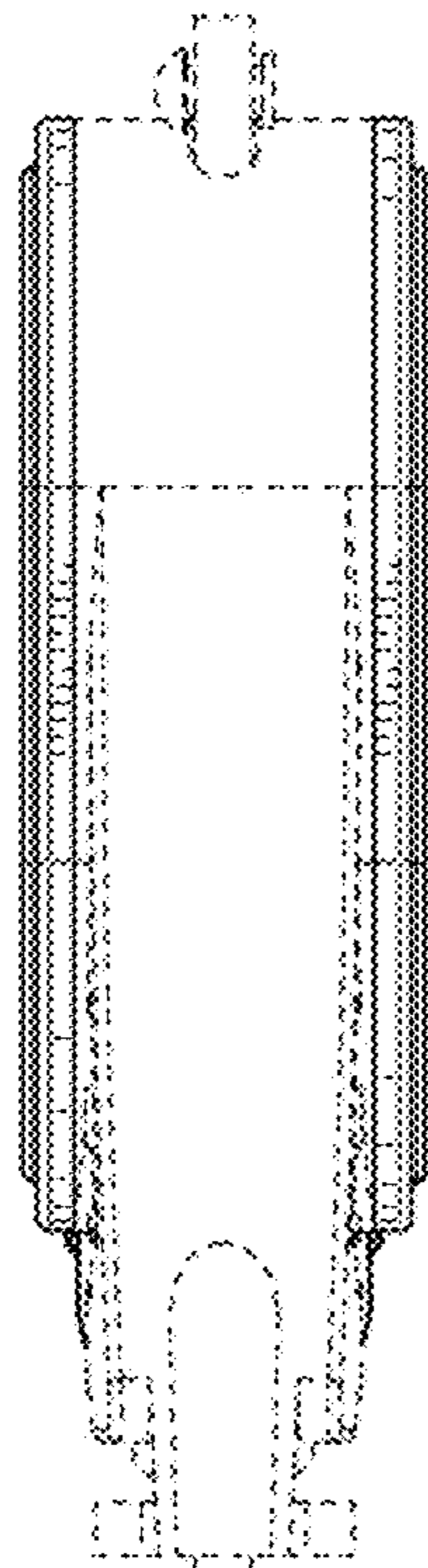


FIG. 13

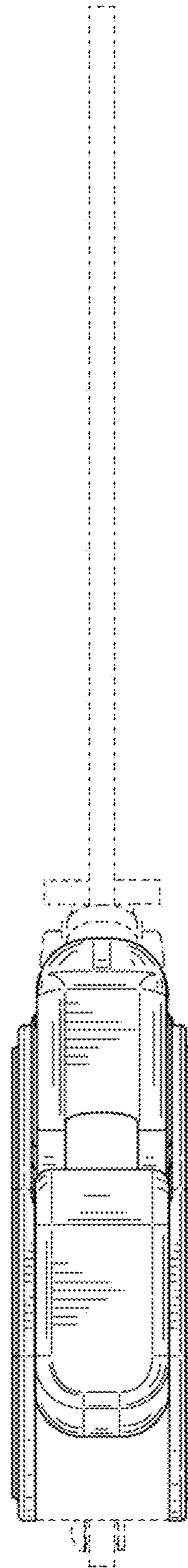


FIG. 14