



US00D893971S

(12) **United States Design Patent**
Nguyen

(10) **Patent No.:** **US D893,971 S**

(45) **Date of Patent:** **** Aug. 25, 2020**

(54) **AUTO LOCK CLAMP FOR LIFTING AND TRANSFERRING OBJECTS**

(71) Applicant: **Nhon Hoa Nguyen**, Bankstown (AU)

(72) Inventor: **Nhon Hoa Nguyen**, Bankstown (AU)

(**) Term: **15 Years**

(21) Appl. No.: **29/671,664**

(22) Filed: **Nov. 29, 2018**

(51) **LOC (12) Cl.** **08-05**

(52) **U.S. Cl.**
USPC **D8/72**

(58) **Field of Classification Search**
USPC D8/71-74, 394-399, 59; 278/63, 72, 278/74.1, 689, 124.2; 81/487, 385, 386, 81/388-390; 269/3, 4, 6, 143, 165, 240, 269/243, 246-249, 254 R, 147-149; 29/256, 257, 276; 408/103, 104-109
CPC B25B 1/00; B25B 5/00
See application file for complete search history.

(56) **References Cited**

U.S. PATENT DOCUMENTS

D317,927 S * 7/1991 Kern D15/135
D556,004 S * 11/2007 Coope D8/74
7,325,271 B2 * 2/2008 Paterson A47L 9/0009
15/246.2

D682,653 S * 5/2013 Coope D8/74
D716,627 S * 11/2014 Lin D8/74
D726,519 S * 4/2015 Huang D8/74
9,095,958 B2 * 8/2015 Schmidt B25B 1/103
D781,122 S * 3/2017 Zimmerman D15/28
D785,432 S * 5/2017 Ju D8/74
D793,851 S * 8/2017 Mann D8/394
D798,126 S * 9/2017 Ursell A45F 3/14
D804,926 S * 12/2017 Atkinson D8/71
D820,062 S * 6/2018 Martin D8/73

* cited by examiner

Primary Examiner — David G Muller

(74) *Attorney, Agent, or Firm* — Tue Nguyen

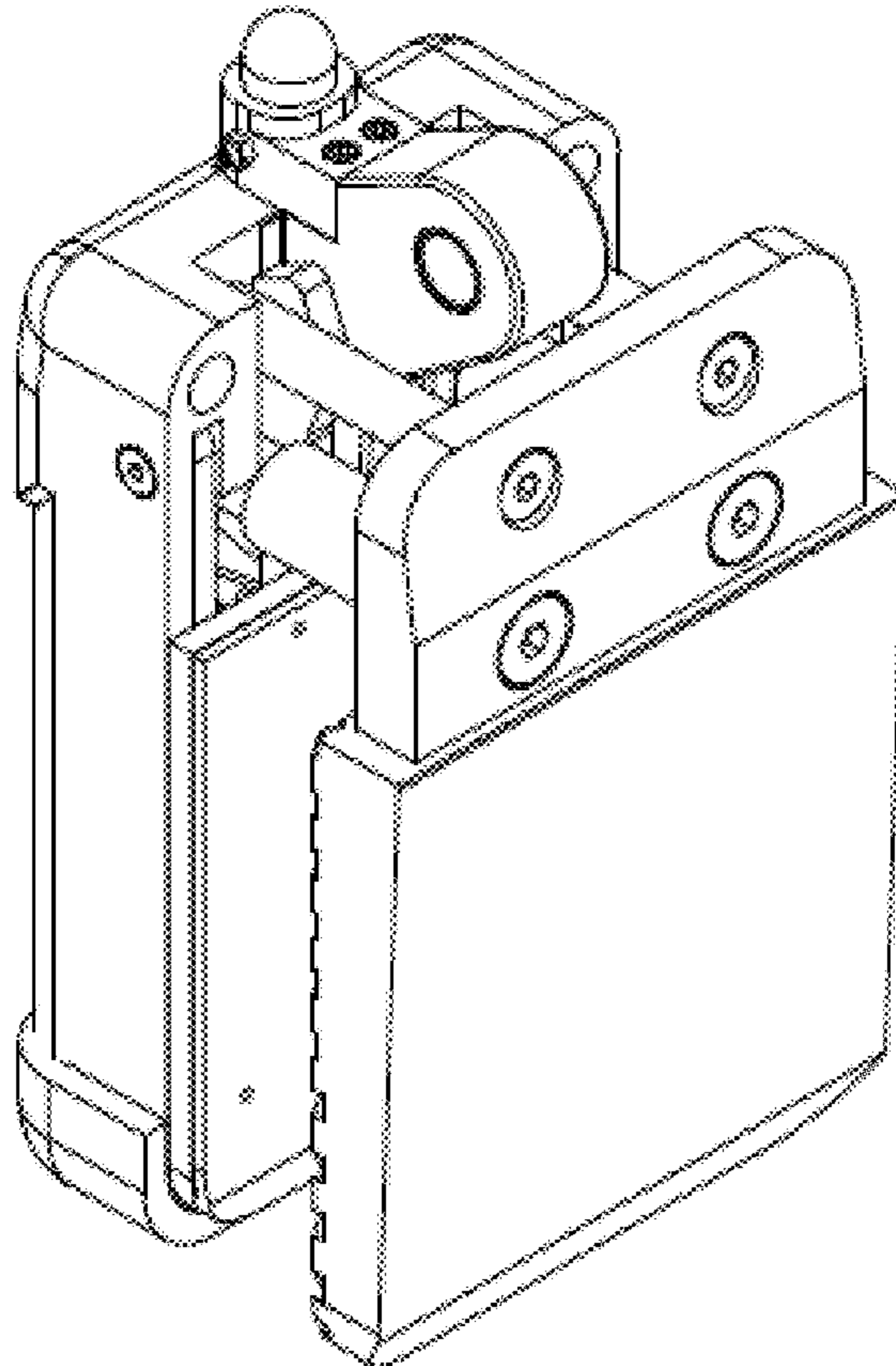
(57) **CLAIM**

The ornamental design for auto lock clamp for lifting and transferring objects, as shown.

DESCRIPTION

FIG. 1 is a right side perspective view of the auto lock clamp for lifting and transferring objects showing my new design; FIG. 2 is a left side perspective view thereof; FIG. 3 is a front elevation view thereof; FIG. 4 is a rear elevation view thereof; FIG. 5 is a top plan view thereof; FIG. 6 is a bottom plan view thereof; FIG. 7 is a right-side elevation view thereof; and, FIG. 8 is a left-side elevation view thereof.

1 Claim, 8 Drawing Sheets



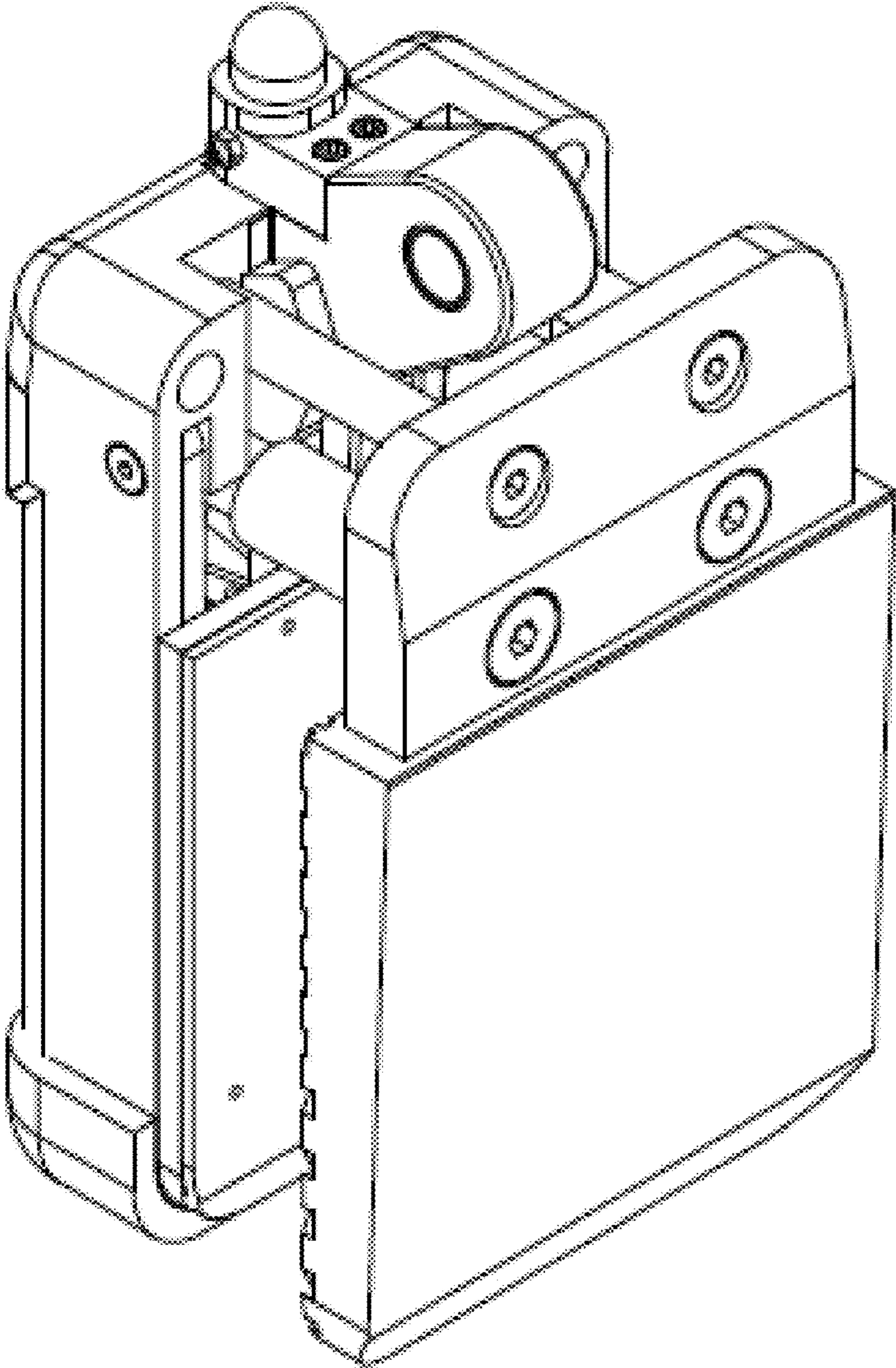


FIG. 1

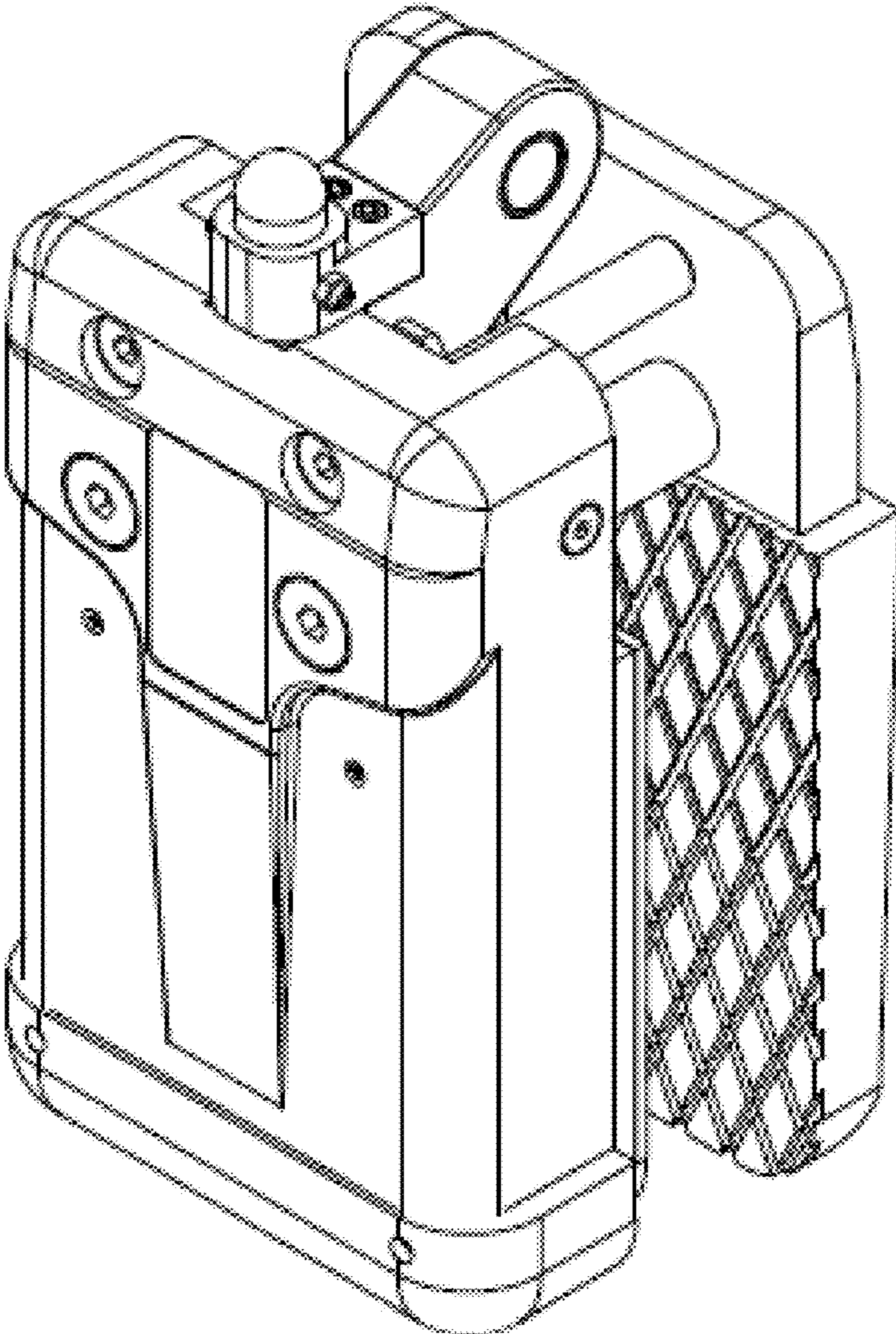


FIG. 2

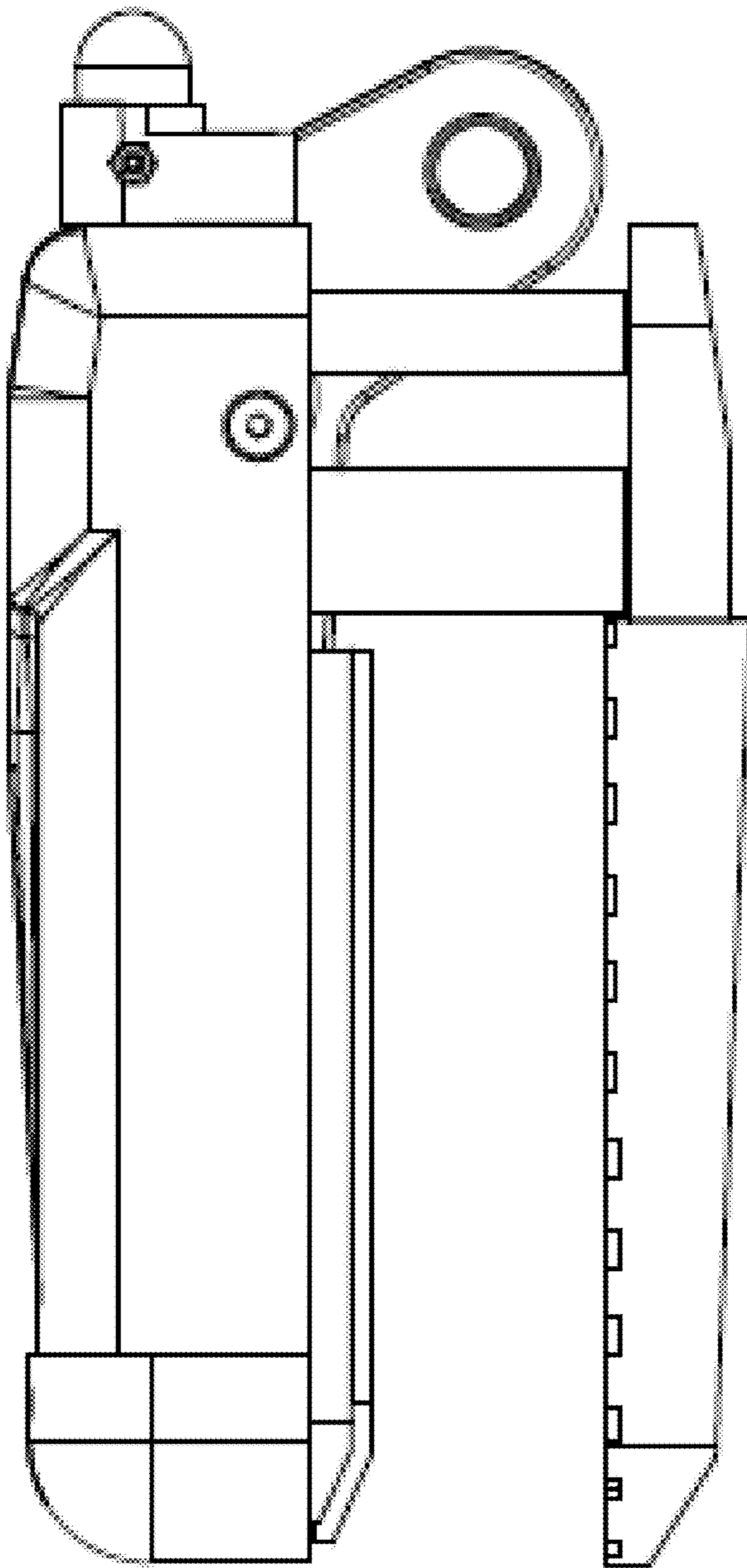


FIG. 3

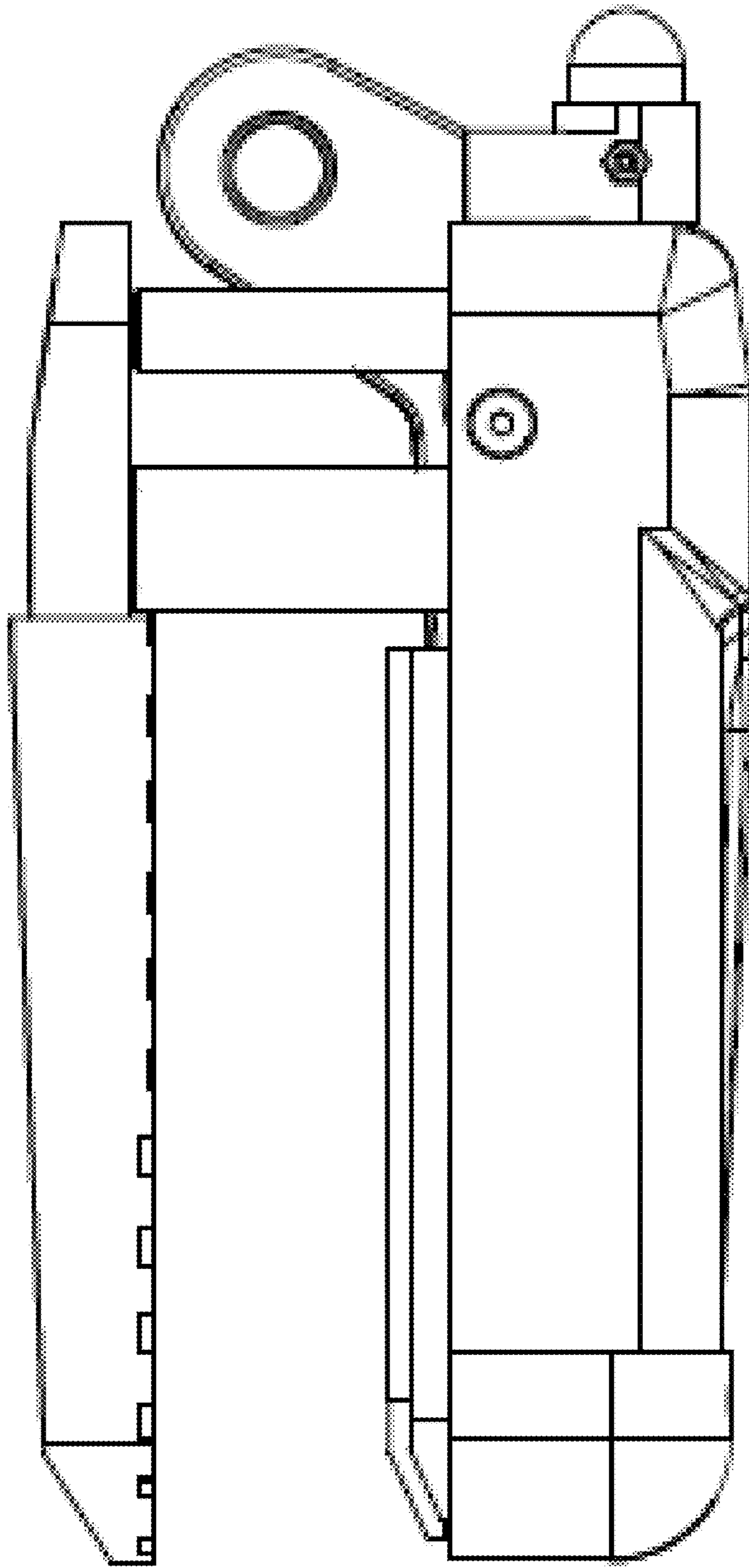


FIG. 4

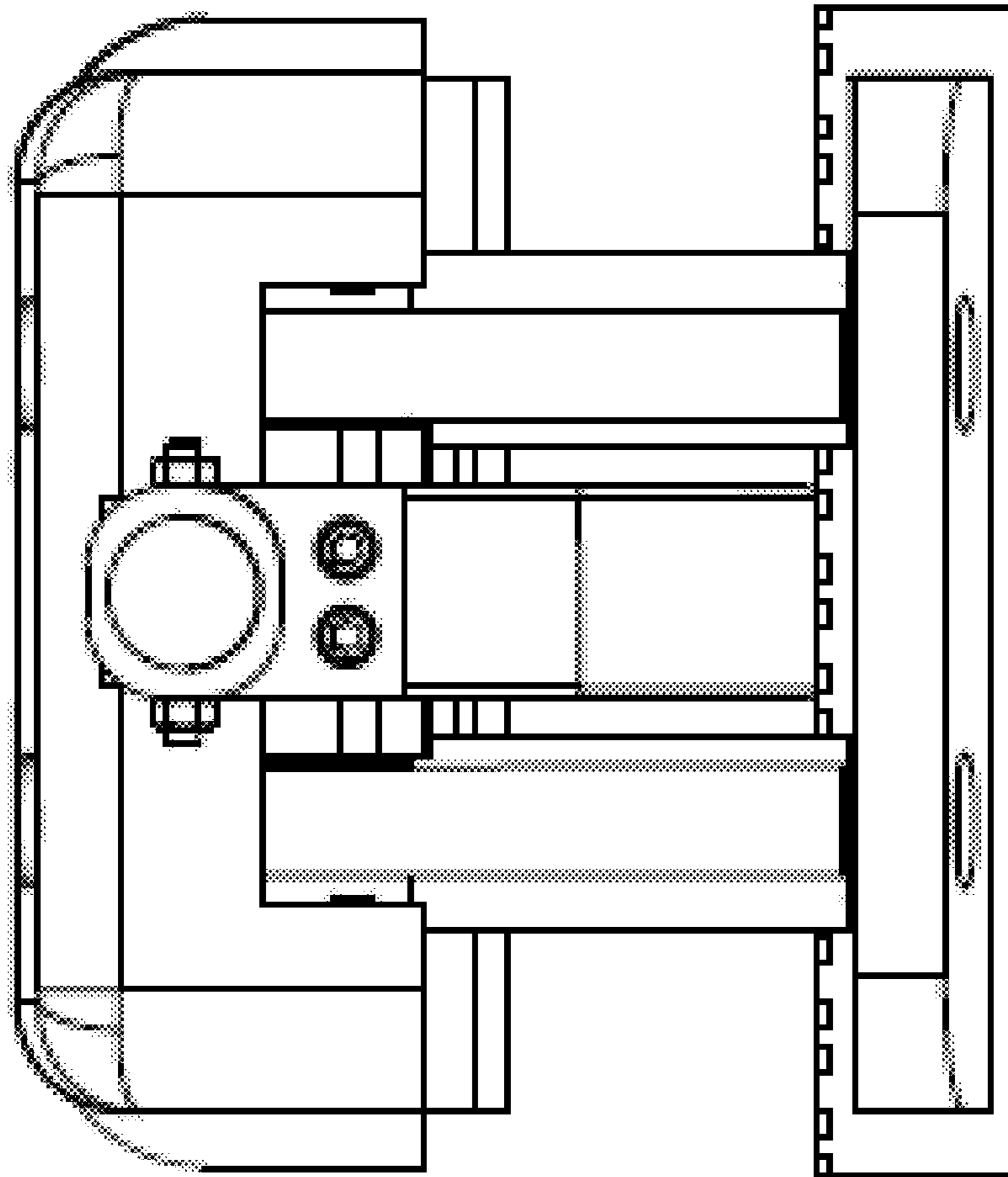


FIG. 5

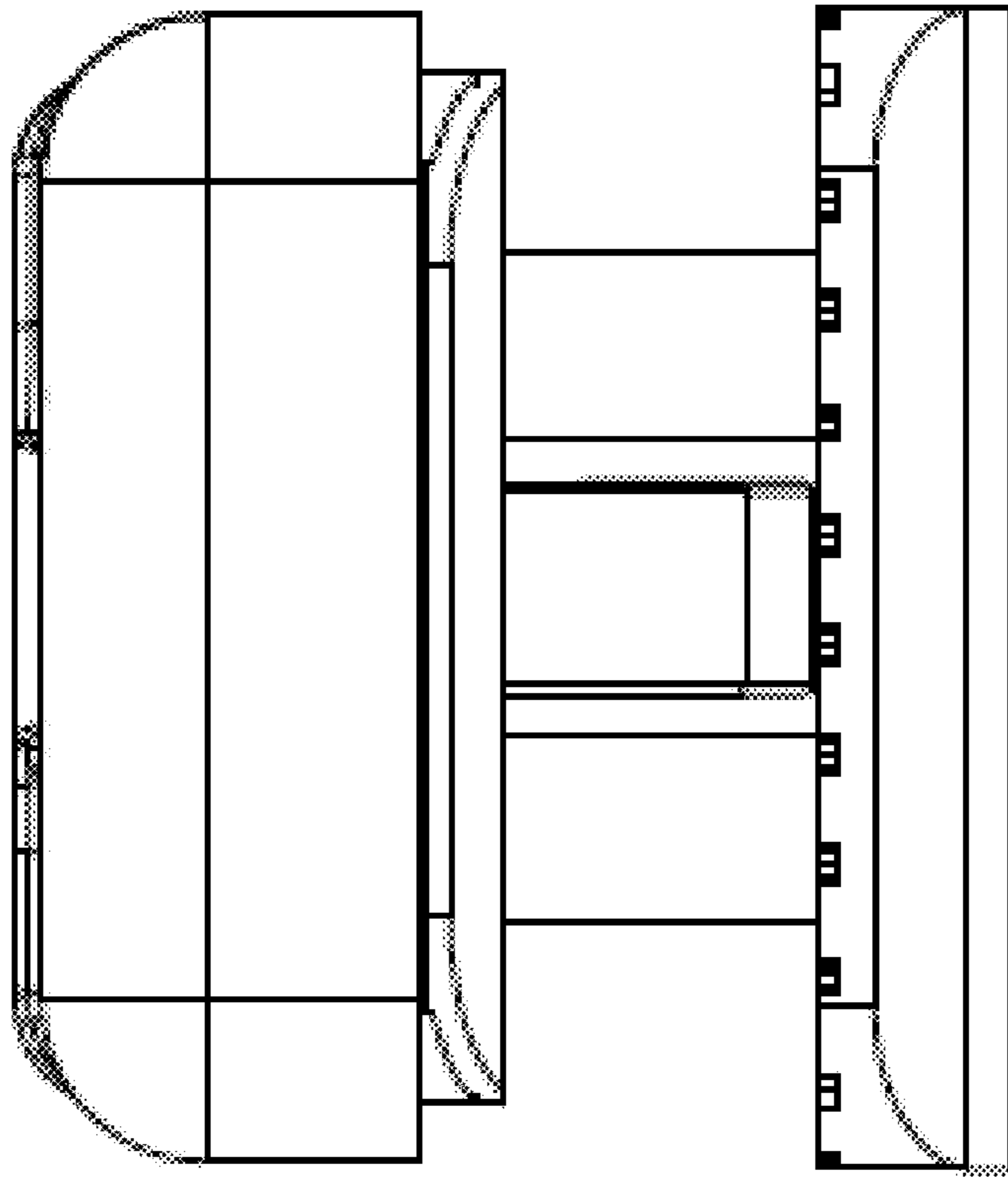


FIG. 6

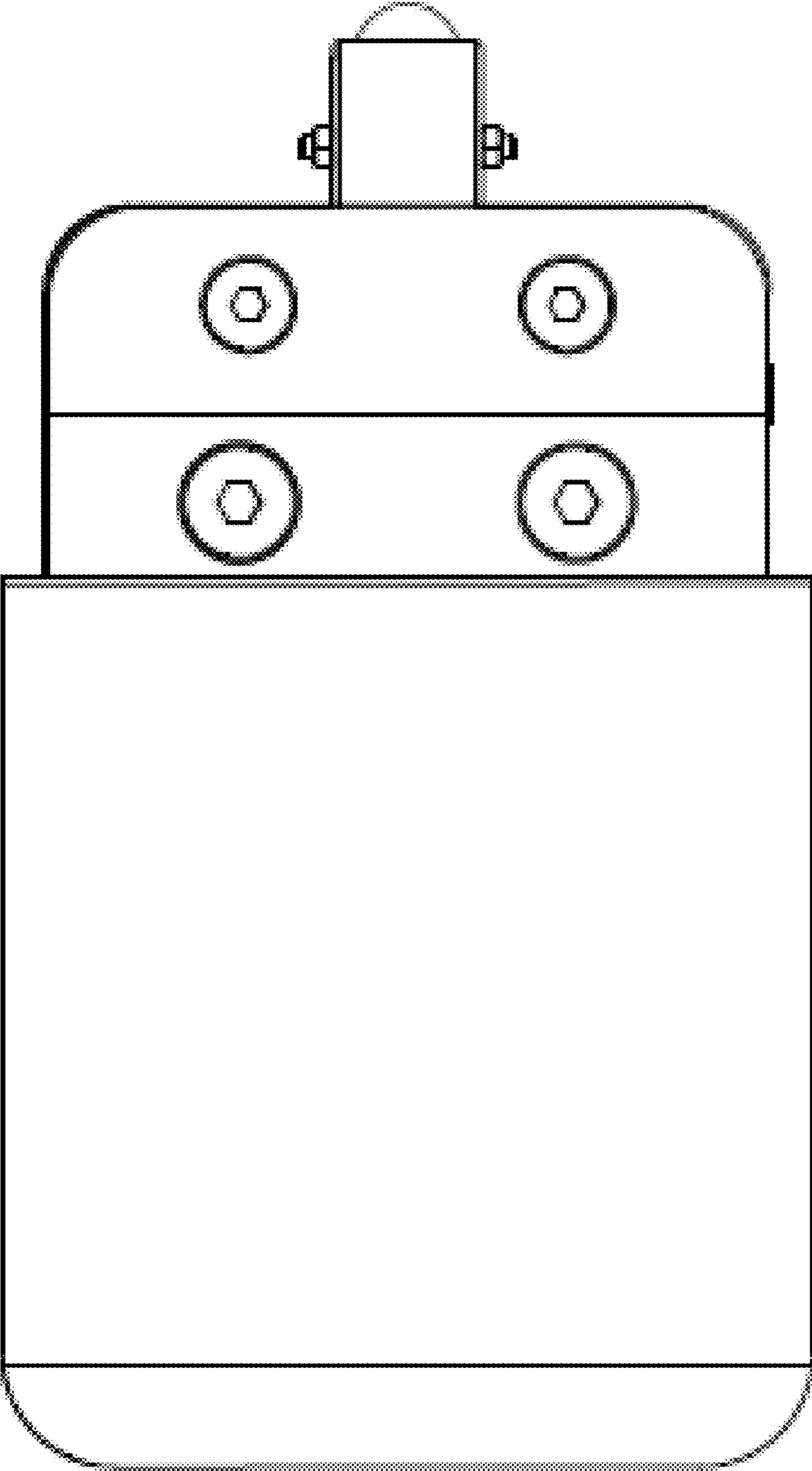


FIG. 7

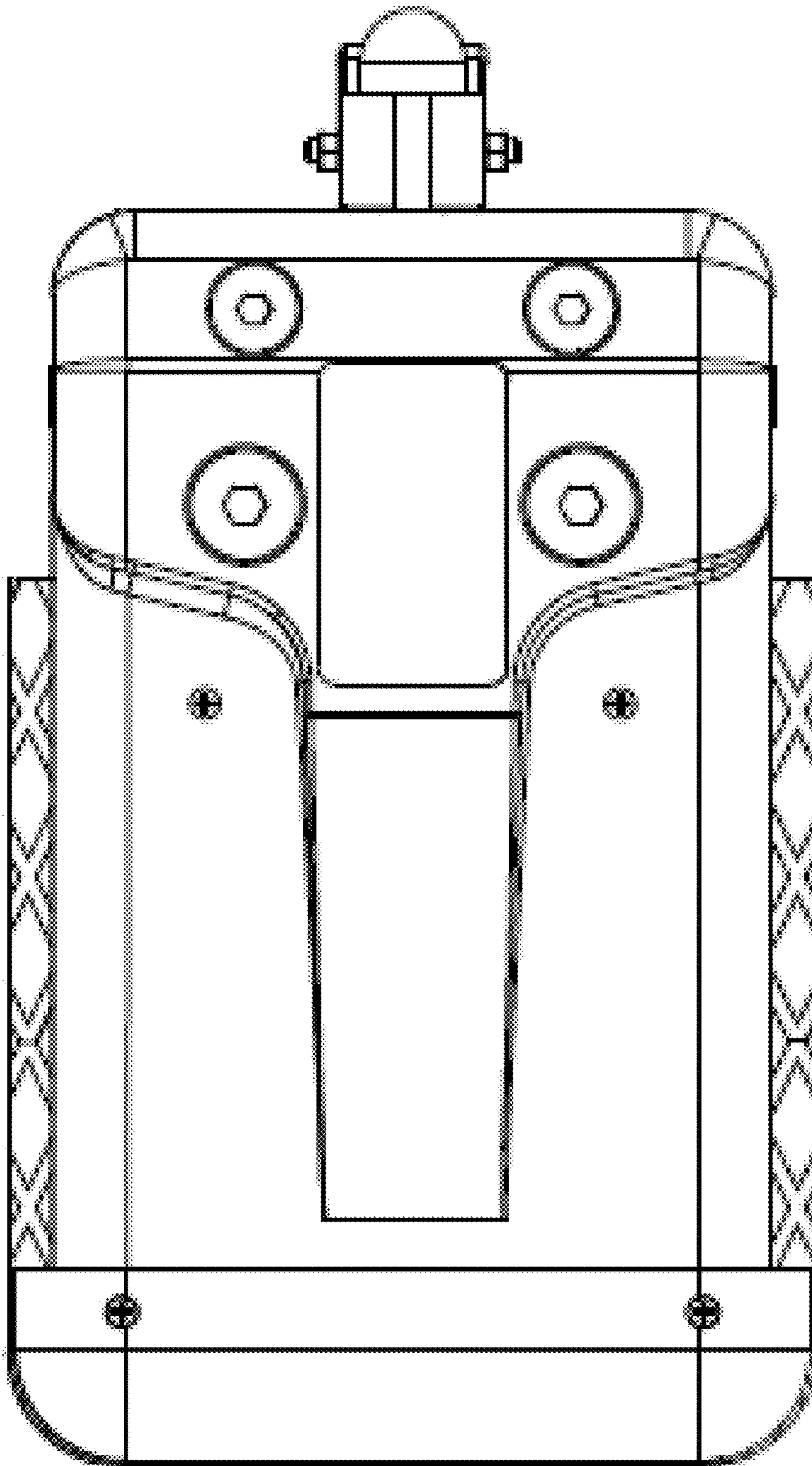


FIG. 8