



US00D893970S

(12) **United States Design Patent**  
**Inkster**

(10) **Patent No.:** **US D893,970 S**

(45) **Date of Patent:** **\*\* Aug. 25, 2020**

- (54) **CHISEL ATTACHMENT FOR A POWER TOOL**
- (71) Applicant: **Arbortech Industries Limited**, Malaga (AU)
- (72) Inventor: **Kevin Ross Inkster**, Malaga (AU)
- (73) Assignee: **Arbortech Industries Limited** (AU)
- (\*\*) Term: **15 Years**
- (21) Appl. No.: **29/681,788**
- (22) Filed: **Feb. 28, 2019**

(30) **Foreign Application Priority Data**

Sep. 7, 2018 (AU) ..... 201815432

(51) **LOC (12) Cl.** ..... **08-03**

(52) **U.S. Cl.**  
USPC ..... **D8/70; D8/47**

(58) **Field of Classification Search**  
USPC ..... D8/14, 20, 47, 70; D15/21, 28, 29, 139;  
D24/146; D32/46  
CPC ..... B25D 3/00; B25D 11/102; B25D 17/005  
See application file for complete search history.

(56) **References Cited**

**U.S. PATENT DOCUMENTS**

- D137,744 S \* 4/1944 Gunderson ..... D8/47
- 3,258,295 A \* 6/1966 Cyril ..... E01C 23/124  
299/100
- 4,111,060 A \* 9/1978 Nerini ..... B23Q 5/027  
144/35.2
- D346,103 S \* 4/1994 Warner ..... D8/47
- D482,252 S \* 11/2003 Hyde ..... D8/47

- D495,567 S \* 9/2004 Gontar ..... B25D 3/00  
D8/1
- D637,629 S \* 5/2011 Clark ..... D15/21
- D648,356 S \* 11/2011 Clark ..... D15/29
- D689,755 S \* 9/2013 Quinn ..... D8/47
- D699,089 S \* 2/2014 Quinn ..... D8/47
- D864,690 S \* 10/2019 Byrum, III ..... D8/70
- D871,877 S \* 1/2020 Terris ..... D8/70
- D877,590 S \* 3/2020 Zimmermann ..... D8/70
- D878,888 S \* 3/2020 Liao ..... D8/70
- 2004/0050568 A1 \* 3/2004 Orozco, Jr. .... B25D 11/102  
173/100
- 2011/0280678 A1 \* 11/2011 Bohn ..... B21K 21/16  
408/204
- 2013/0205603 A1 \* 8/2013 Schneider ..... B25D 3/00  
30/346

\* cited by examiner

*Primary Examiner* — Darlington Ly

(74) *Attorney, Agent, or Firm* — Taylor English Duma LLP

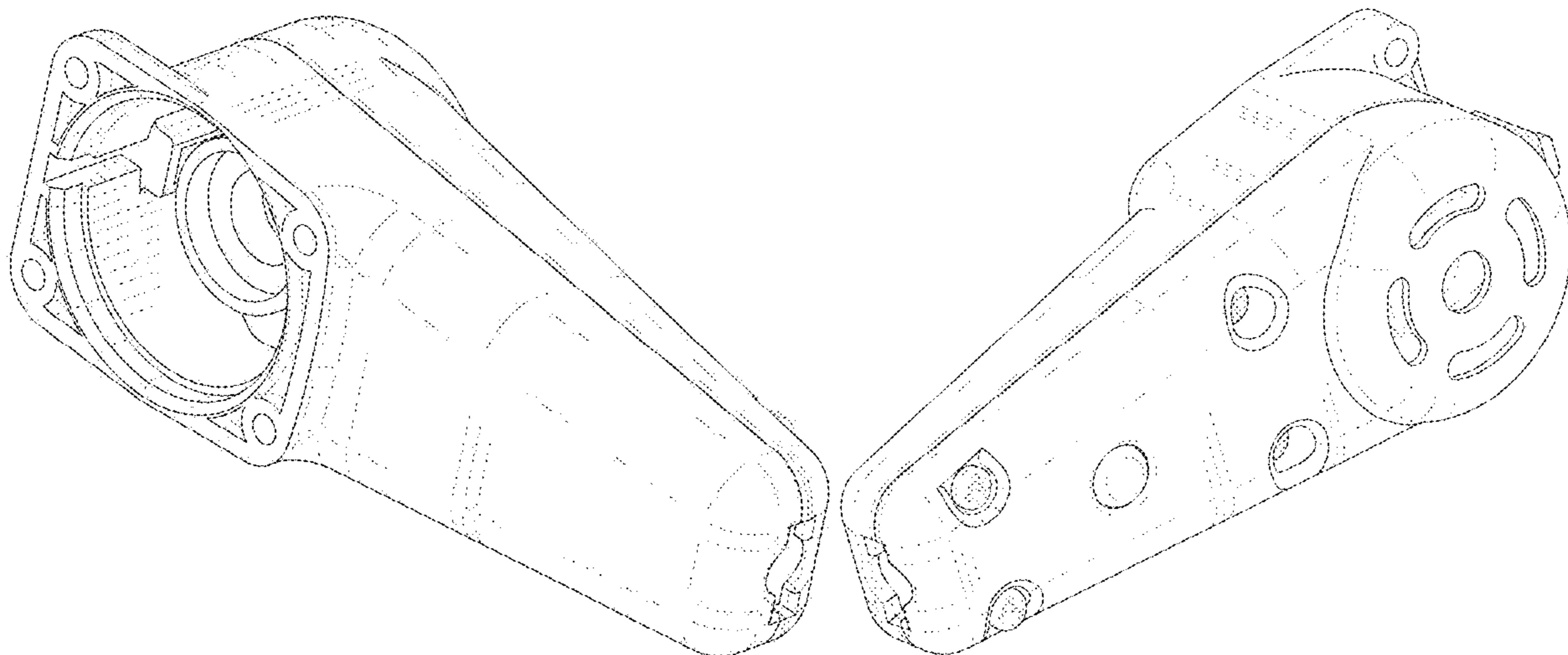
(57) **CLAIM**

The ornamental design for a chisel attachment for a power tool, as shown and described.

**DESCRIPTION**

FIG. 1 is a front elevation view of a chisel attachment for a power tool showing my new design; FIG. 2 is a left side elevation view thereof; FIG. 3 is a rear elevation view thereof; FIG. 4 is a right side elevation view thereof; FIG. 5 is a top plan view thereof; FIG. 6 is a bottom plan view thereof; FIG. 7 is a top perspective view thereof; and, FIG. 8 is a bottom perspective view thereof.

**1 Claim, 8 Drawing Sheets**



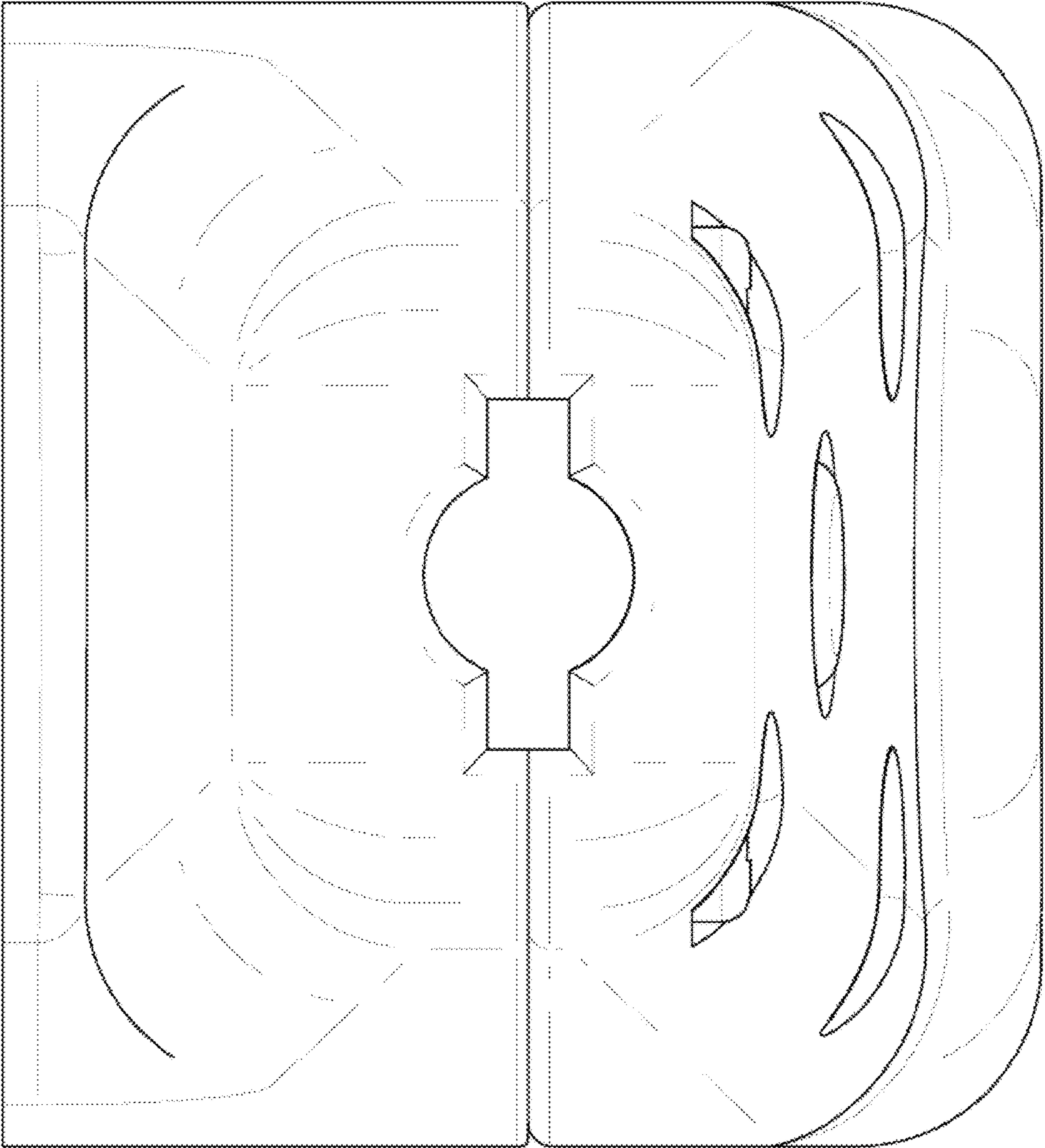


Figure 1

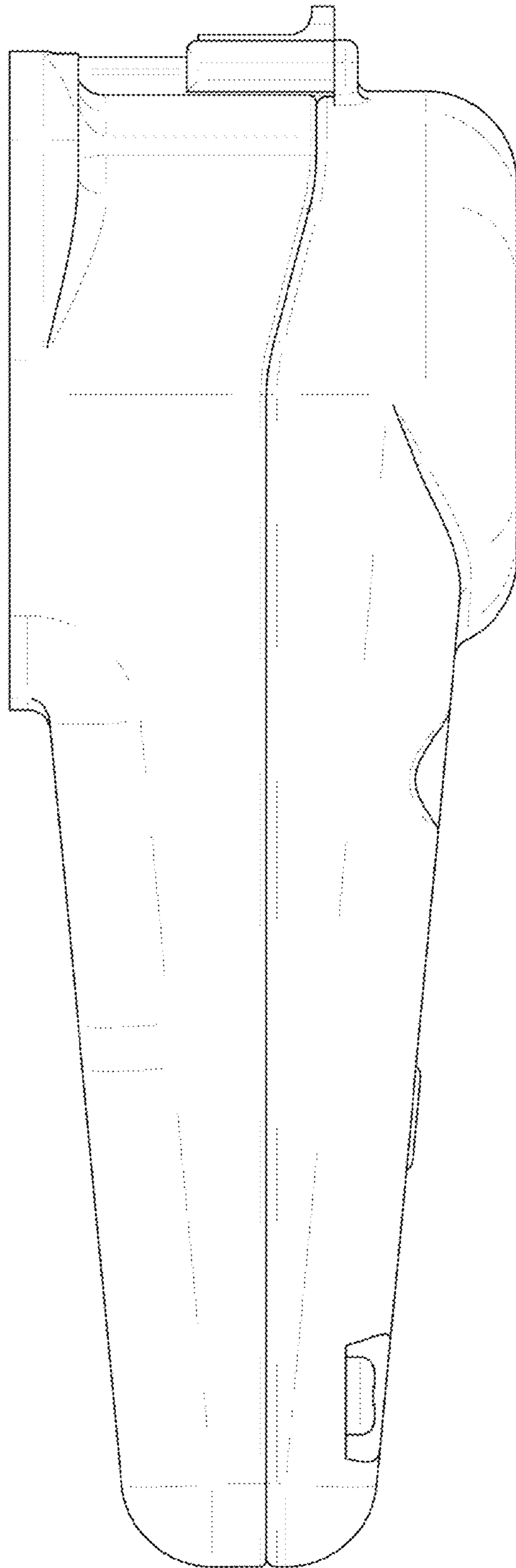


Figure 2

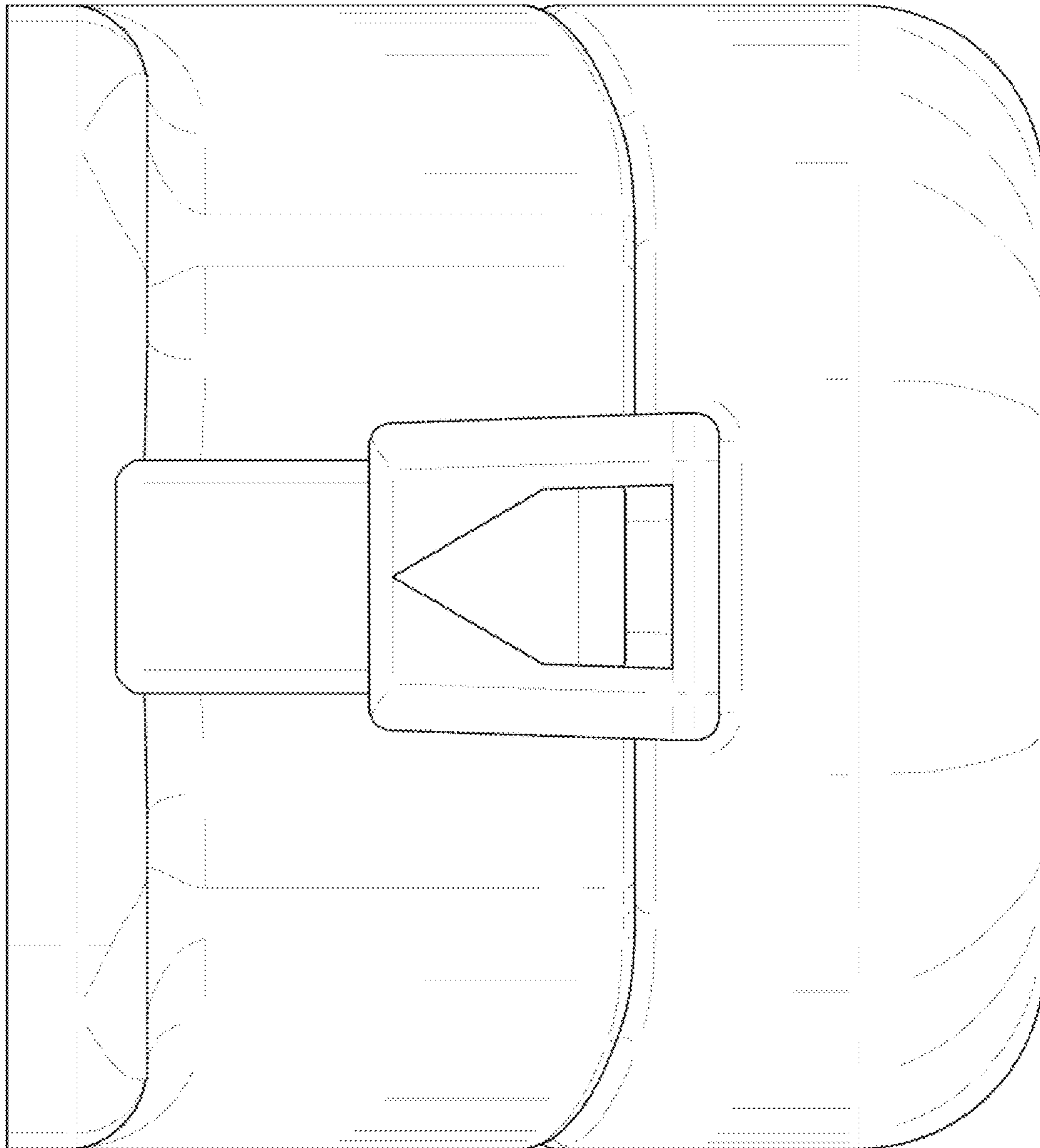


Figure 3

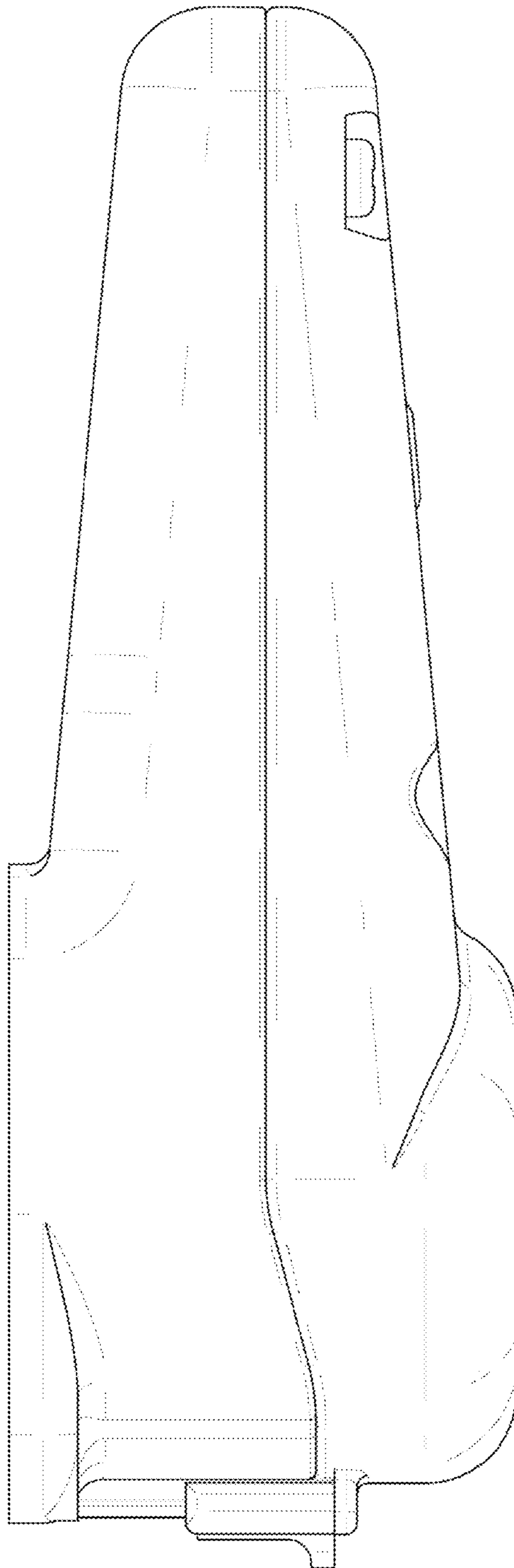


Figure 4

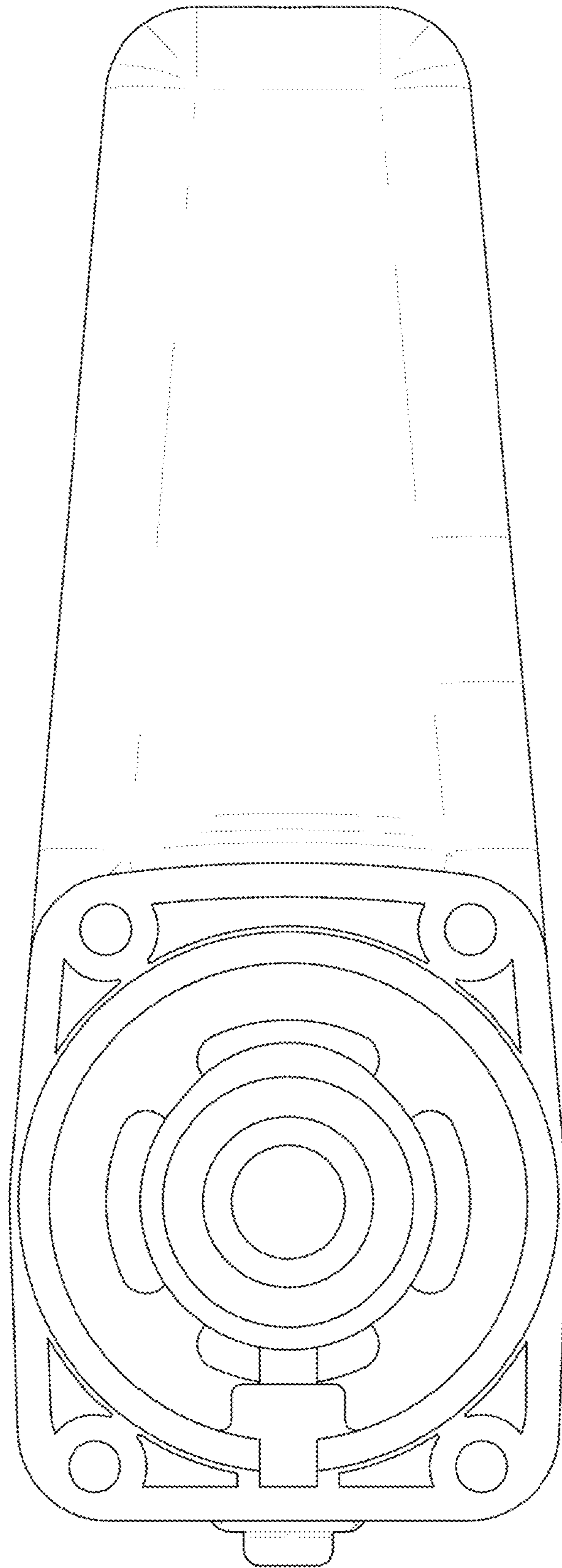


Figure 5

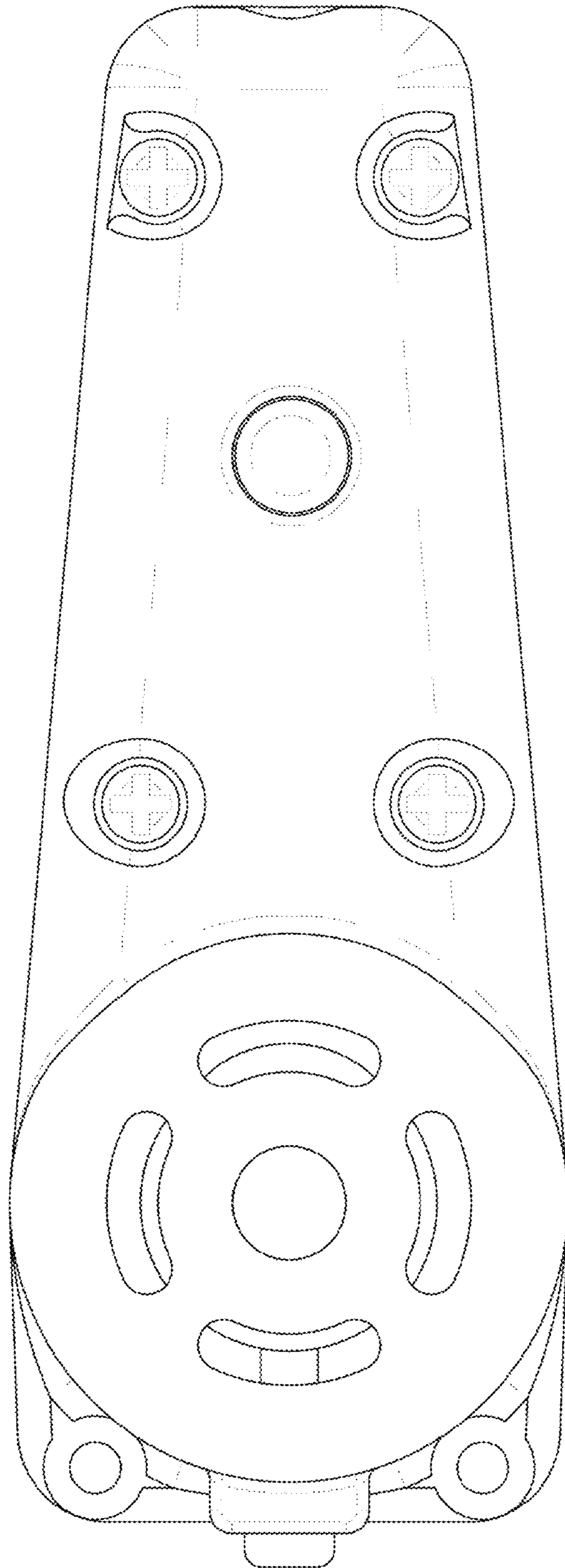


Figure 6

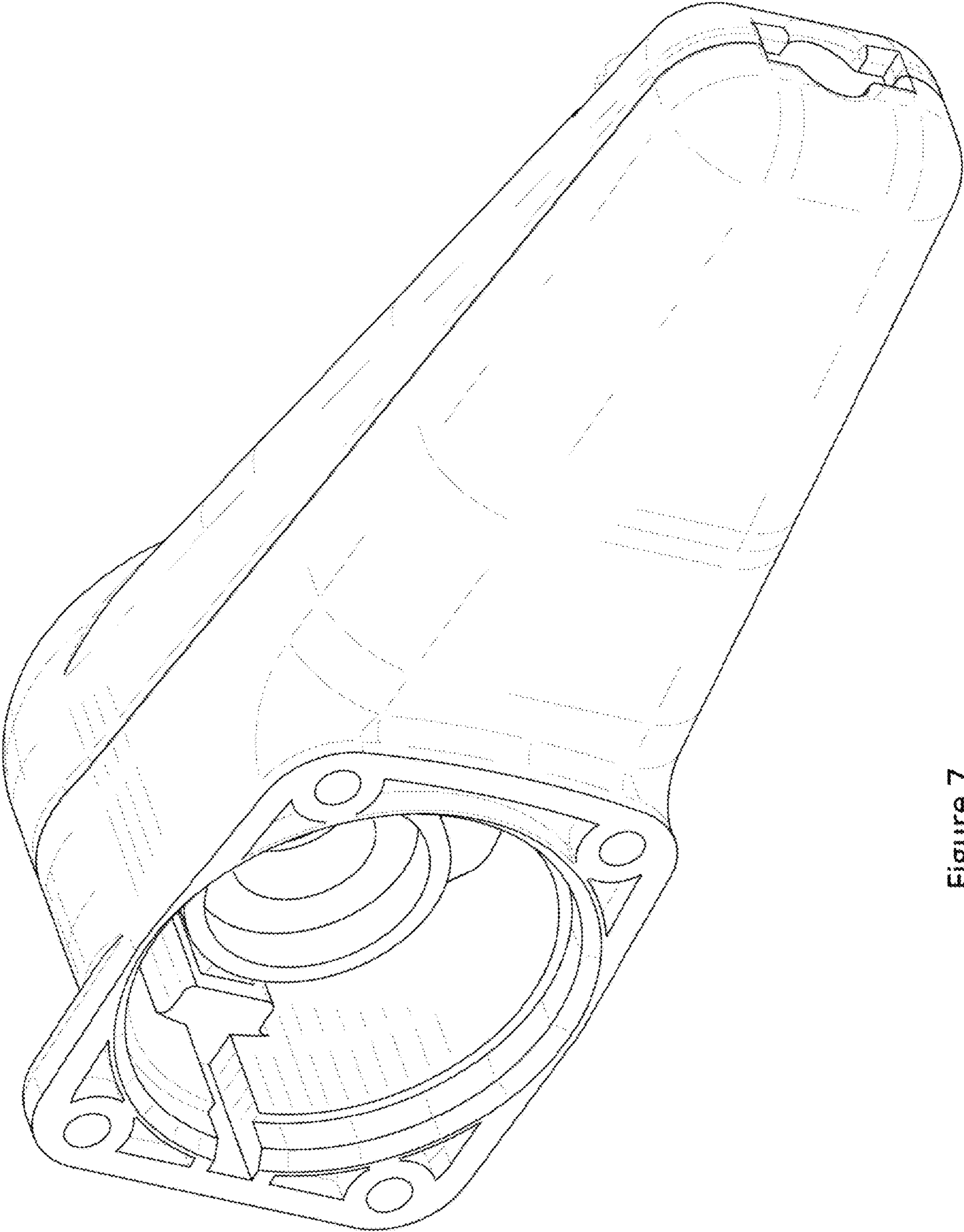


Figure 7



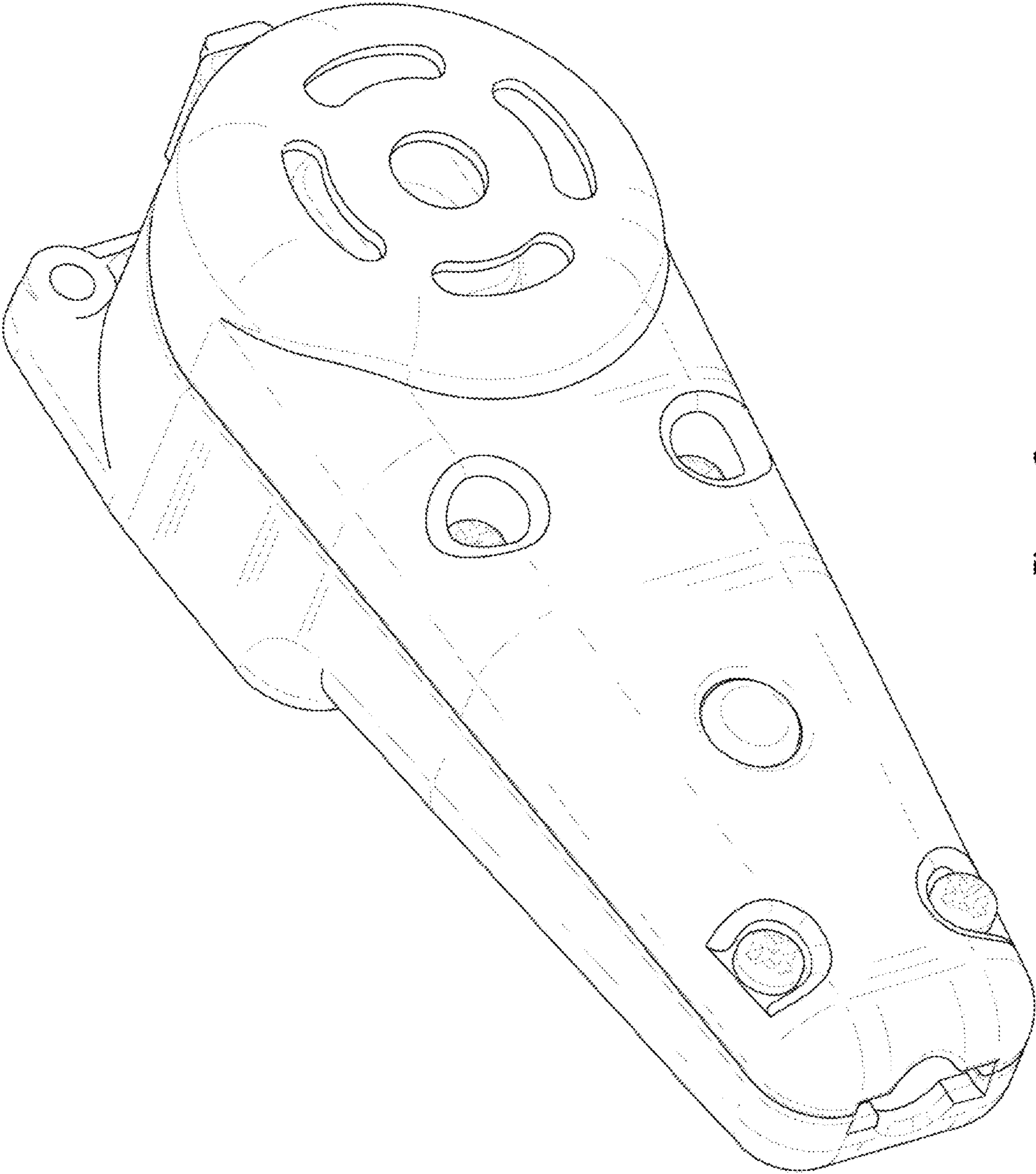


Figure 8