

US00D893968S

(12) **United States Design Patent**
Robins

(10) **Patent No.:** **US D893,968 S**

(45) **Date of Patent:** **** Aug. 25, 2020**

(54) **LOAD BINDER**

(71) Applicant: **Terry K. Robins**, Minneapolis, KS
(US)

(72) Inventor: **Terry K. Robins**, Minneapolis, KS
(US)

(**) Term: **15 Years**

(21) Appl. No.: **29/605,007**

(22) Filed: **May 23, 2017**

(51) **LOC (12) Cl.** **08-05**

(52) **U.S. Cl.**
USPC **D8/44**

(58) **Field of Classification Search**
USPC D8/51, 44, 88, 25, 355, 356, 382, 349;
D12/223
CPC B60P 7/083; B60P 7/0853; B60P 7/15;
B63B 25/24; B21F 9/002; F16G 3/006;
F16G 11/12
See application file for complete search history.

(56) **References Cited**

U.S. PATENT DOCUMENTS

1,639,078	A *	8/1927	Coe	B25B 13/463 81/63
1,868,840	A *	7/1932	McNaught	B25B 13/463 81/61
2,673,632	A *	3/1954	Stiranka	F16G 11/12 192/43.1
3,338,359	A	8/1967	Baille et al.		
4,052,027	A *	10/1977	Taylor	B63B 25/28 410/66
4,069,902	A *	1/1978	Zdeb	F16D 41/16 192/43
4,130,269	A *	12/1978	Schreyer	F16G 11/12 24/19
4,135,834	A *	1/1979	Bartman	F16B 7/06 403/44

D252,555	S *	8/1979	Schreyer	D8/355
D256,984	S *	9/1980	Leppanen	D8/349
4,222,293	A *	9/1980	Schreyer	B25B 13/46 81/119
4,778,194	A *	10/1988	Koch	A01B 59/004 172/448
D309,854	S *	8/1990	Smith	D8/44
D312,198	S *	11/1990	Cooke	D8/25
5,611,521	A *	3/1997	Grover	B25B 21/002 254/235
6,062,768	A *	5/2000	Pettersen	G01V 1/201 405/158
6,609,575	B1 *	8/2003	Crabb	A01B 59/004 172/439
6,945,516	B1 *	9/2005	Scott	B60P 7/083 254/231
7,048,071	B1 *	5/2006	Huenink	A01B 59/004 172/439

(Continued)

Primary Examiner — Sandra S Snapp
Assistant Examiner — Ieisha N Price
(74) *Attorney, Agent, or Firm* — Brinks Gilson & Lione

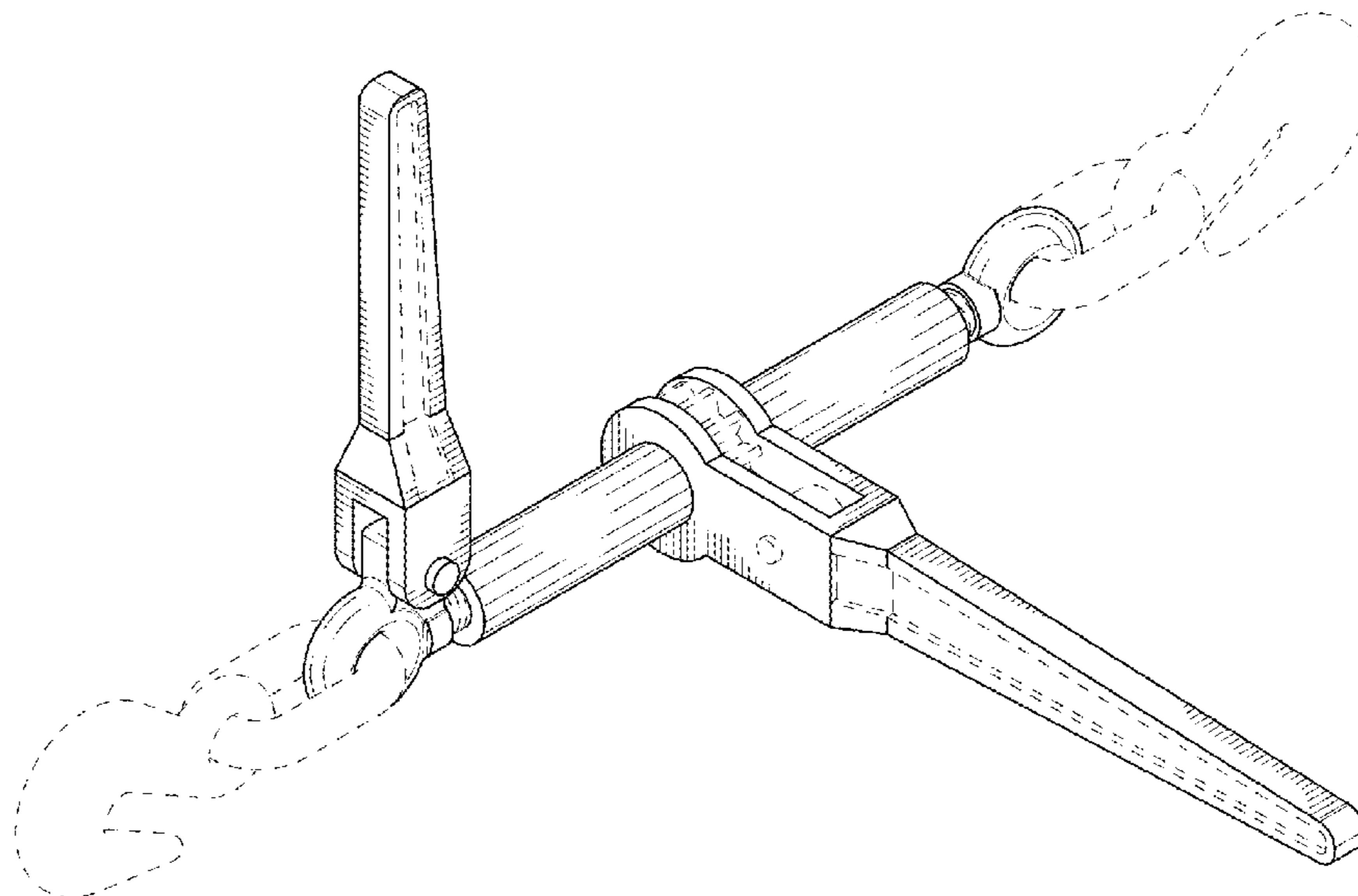
(57) **CLAIM**

The ornamental design for a load binder, as shown and described.

DESCRIPTION

FIG. 1 is a perspective view of a load binder showing my new design;
FIG. 2 is front elevation view thereof;
FIG. 3 is a rear elevation view thereof;
FIG. 4 is a left side elevation view thereof;
FIG. 5 a right side elevation view thereof;
FIG. 6 is a top plan view thereof;
FIG. 7 is a bottom plan view thereof; and,
FIG. 8 is a perspective view with the ratchet handle thereof in an alternate position.
The broken lines in the drawings illustrate portions of the load binder and form no part of the claimed design.

1 Claim, 7 Drawing Sheets



(56)

References Cited

U.S. PATENT DOCUMENTS

7,055,804 B2 6/2006 Scott
 7,229,065 B2 6/2007 Scott et al.
 7,552,913 B1 6/2009 Amoss et al.
 8,505,879 B2* 8/2013 Ruan B25B 13/48
 254/232
 8,851,255 B2 10/2014 Mitchell
 9,453,557 B2 9/2016 Chou
 D772,032 S * 11/2016 Durbin D8/44
 D830,801 S * 10/2018 Chao D8/44
 D831,455 S * 10/2018 Chao D8/44
 10,308,163 B2* 6/2019 Helline B60P 7/0853
 2008/0118324 A1* 5/2008 Fritel F16G 11/12
 410/100
 2010/0111634 A1* 5/2010 Wang B60P 7/083
 410/96
 2011/0000317 A1* 1/2011 Ruan B60P 7/083
 73/862.42

2011/0253956 A1* 10/2011 Smetz F16B 39/12
 254/100
 2013/0140124 A1* 6/2013 Mitchell F16G 11/12
 192/43.1
 2014/0109361 A1* 4/2014 Helline B60P 7/083
 24/68 CD
 2014/0326935 A1* 11/2014 Chao B60P 7/083
 254/235
 2017/0232881 A1* 8/2017 Thompson B60P 7/0853
 254/229
 2018/0209511 A1* 7/2018 Stephens F16G 11/12
 2018/0298986 A1* 10/2018 Rolof B60P 7/083
 2018/0319311 A1* 11/2018 Chao B60P 7/083
 2018/0363729 A1* 12/2018 Stephens B63B 21/04
 2019/0031079 A1* 1/2019 Robins B60P 7/15
 2019/0186595 A1* 6/2019 Agarwalla F16G 11/12
 2019/0351808 A1* 11/2019 Liu B60P 7/083
 2019/0351809 A1* 11/2019 Liu B60P 7/083

* cited by examiner

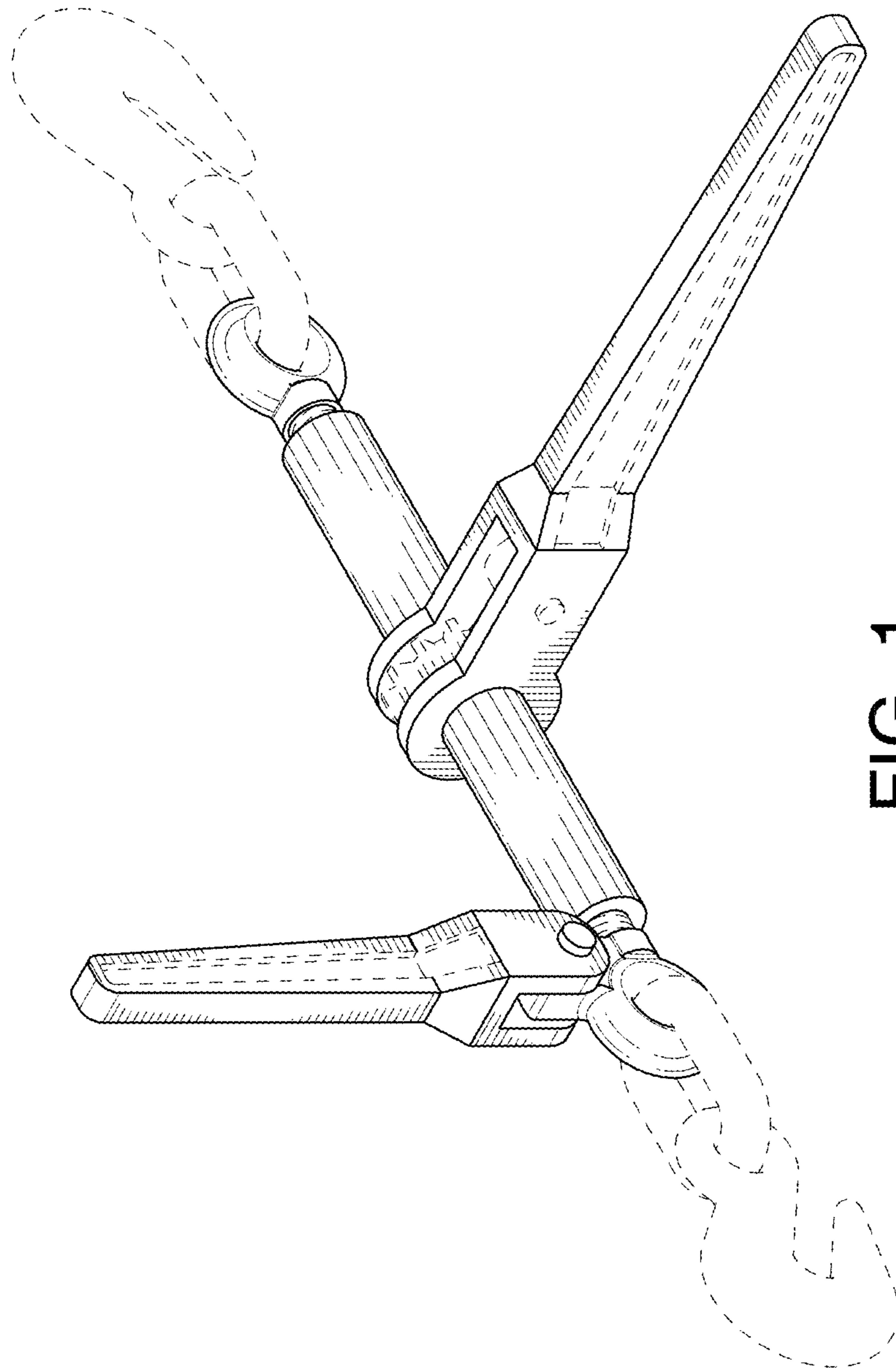


FIG. 1

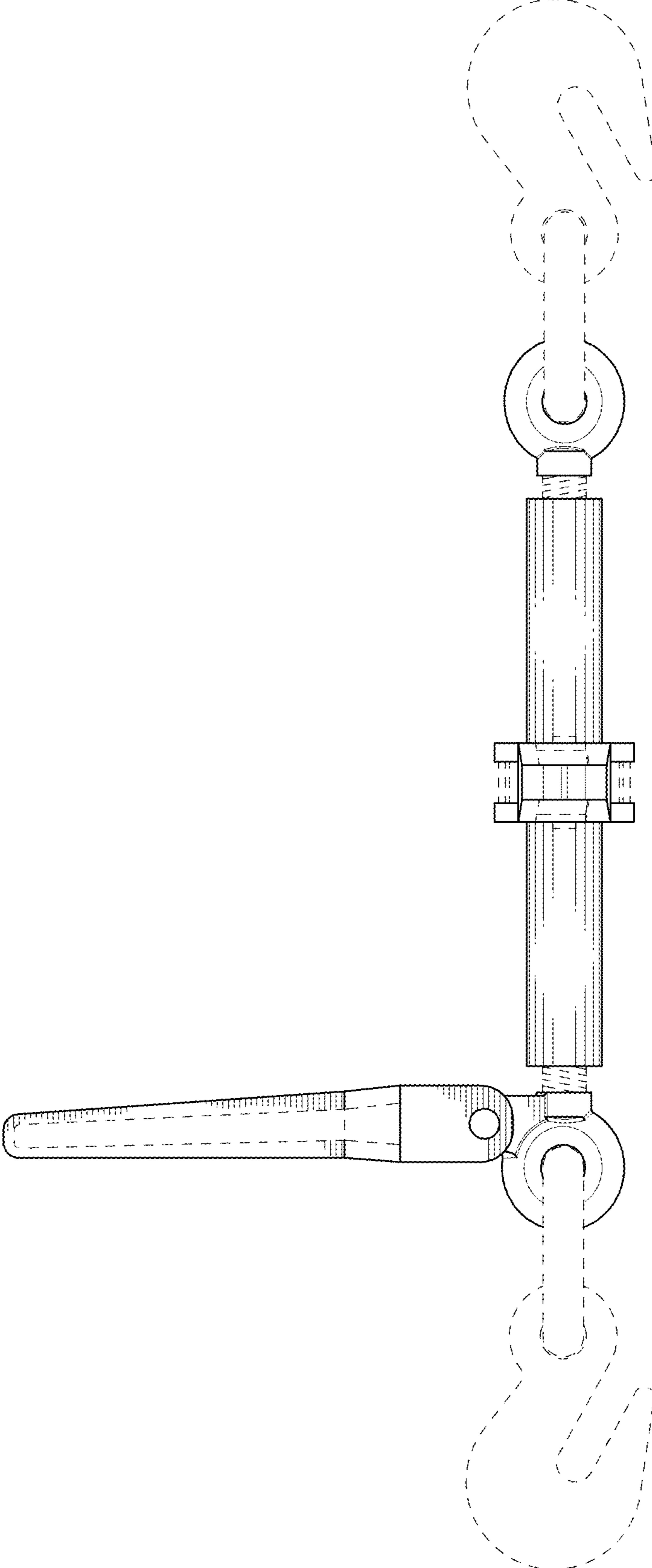


FIG. 2

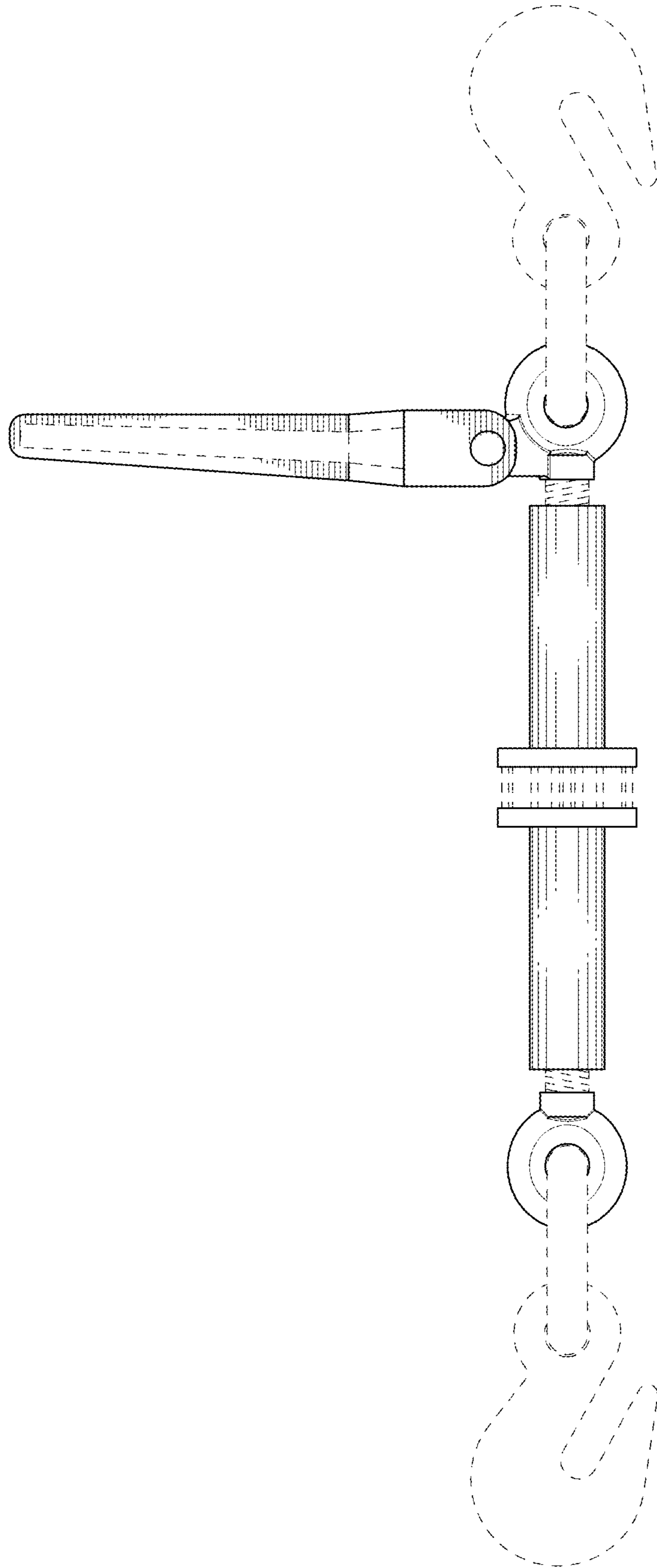


FIG. 3

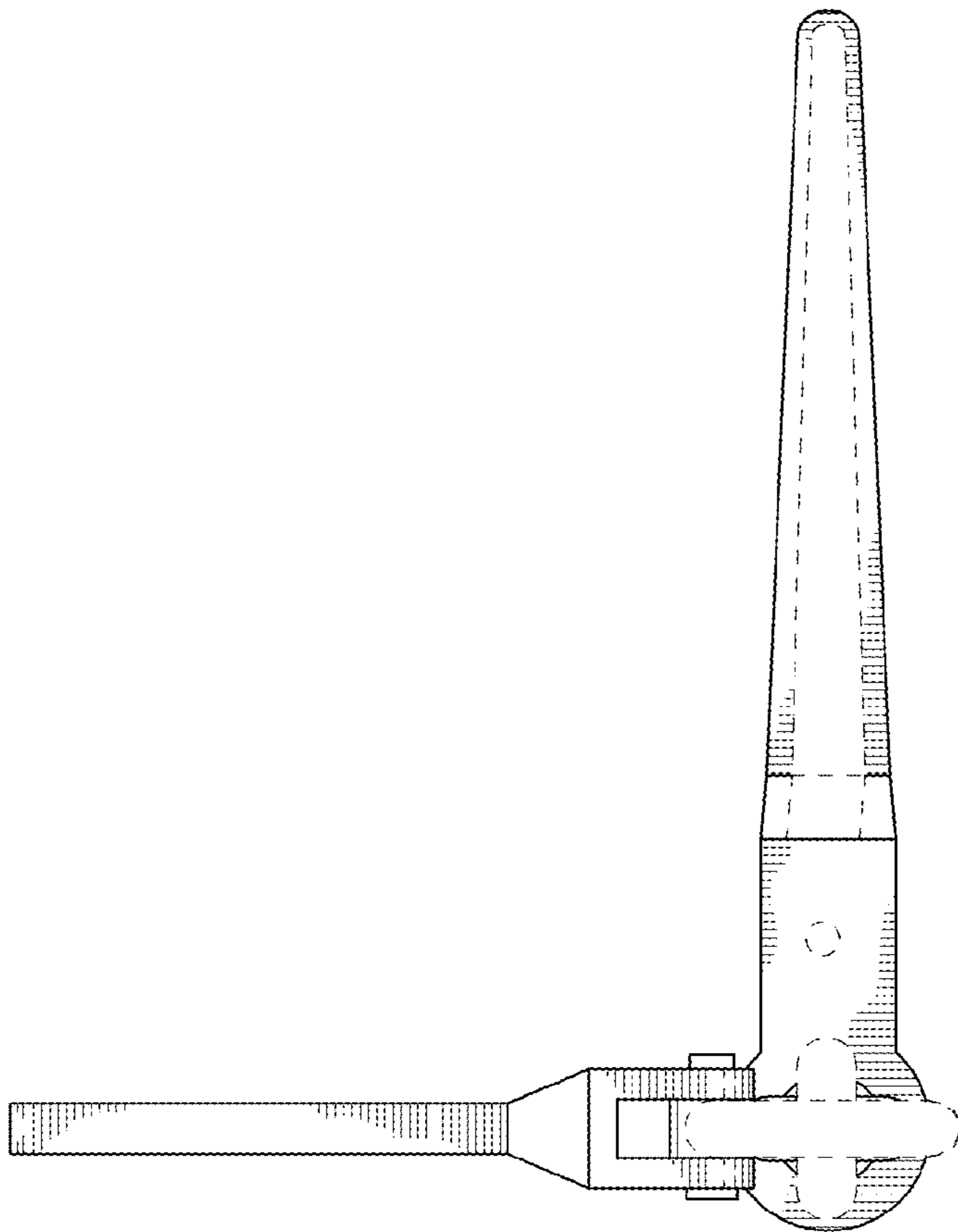


FIG. 4

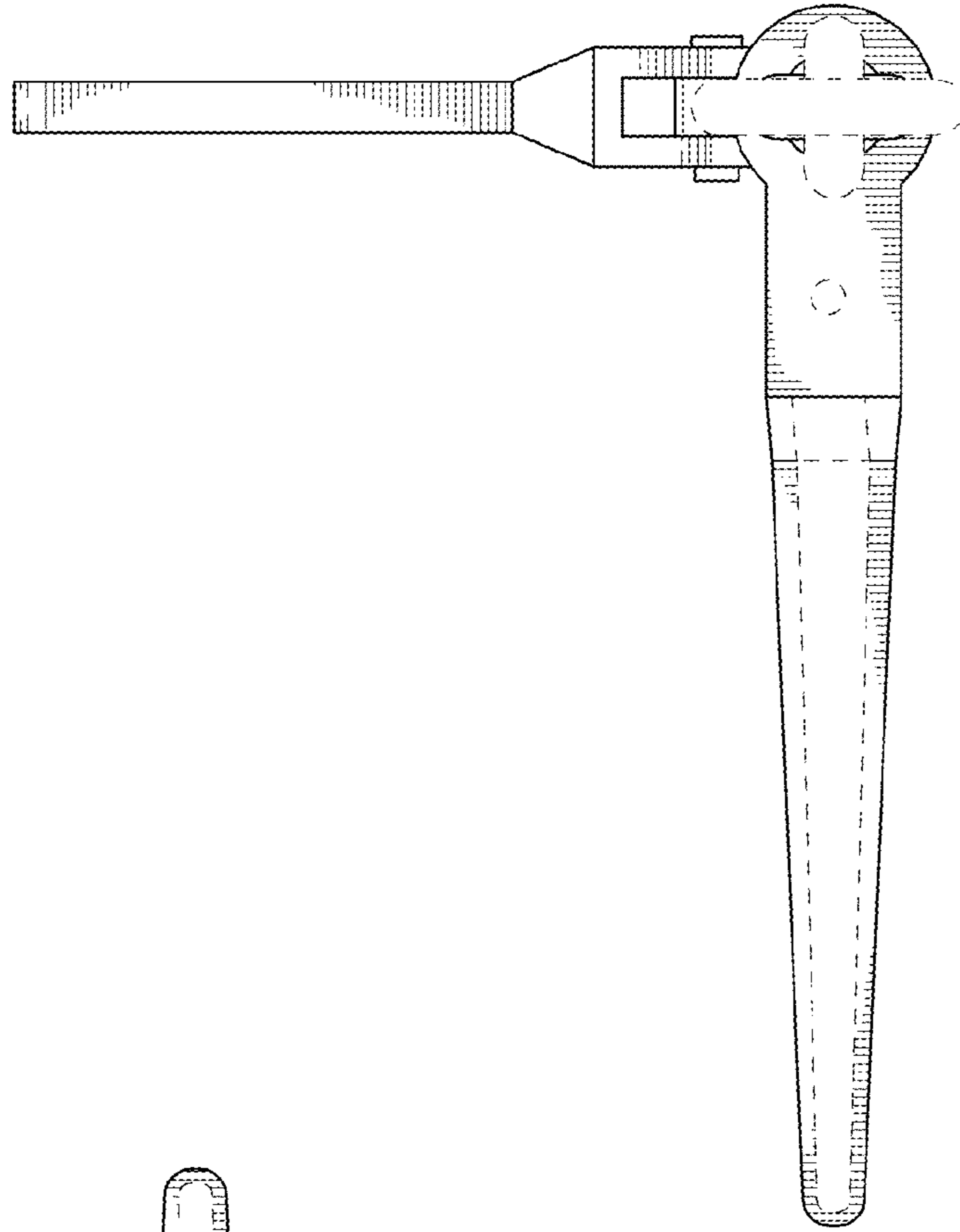


FIG. 5

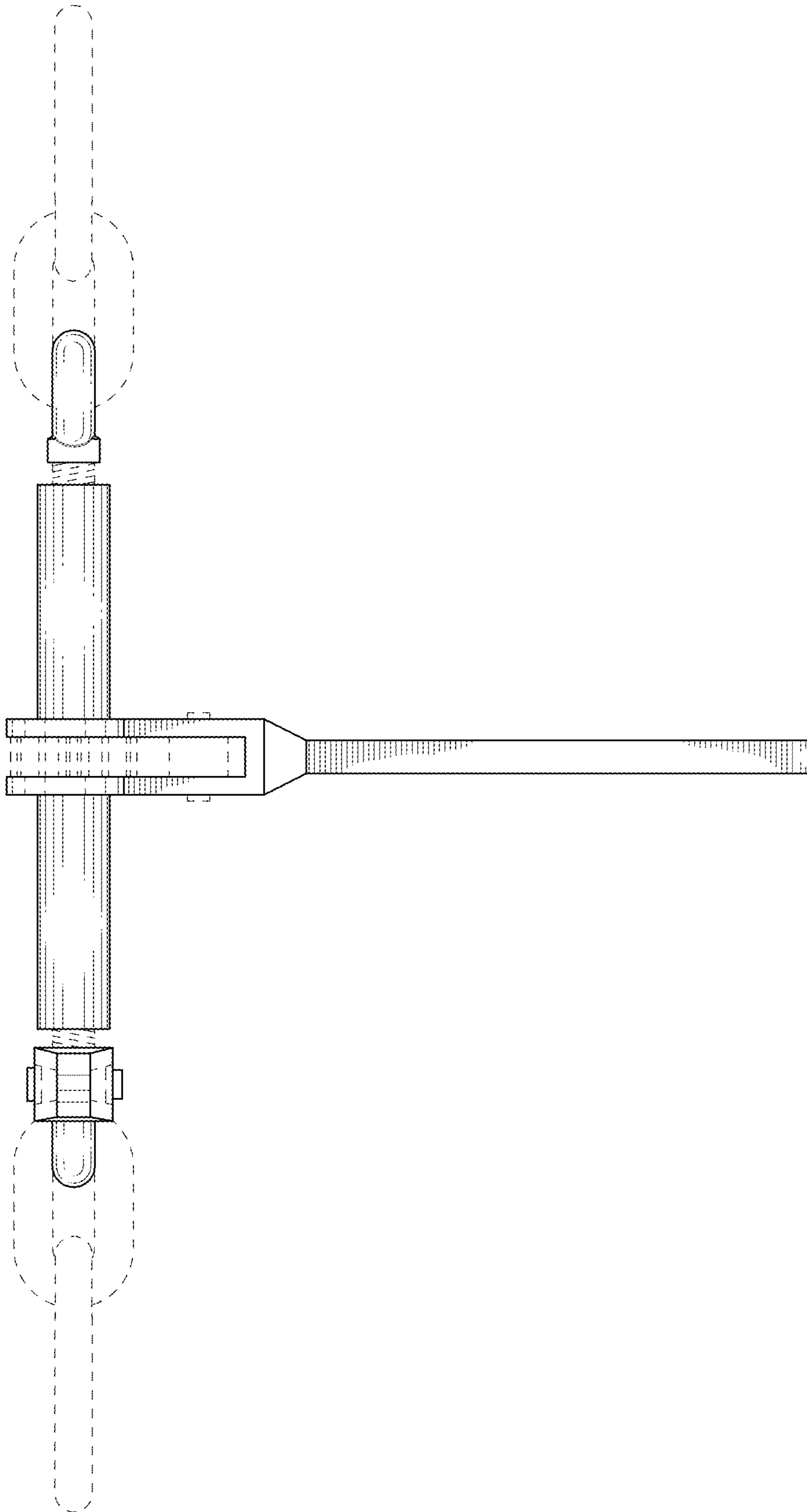


FIG. 6

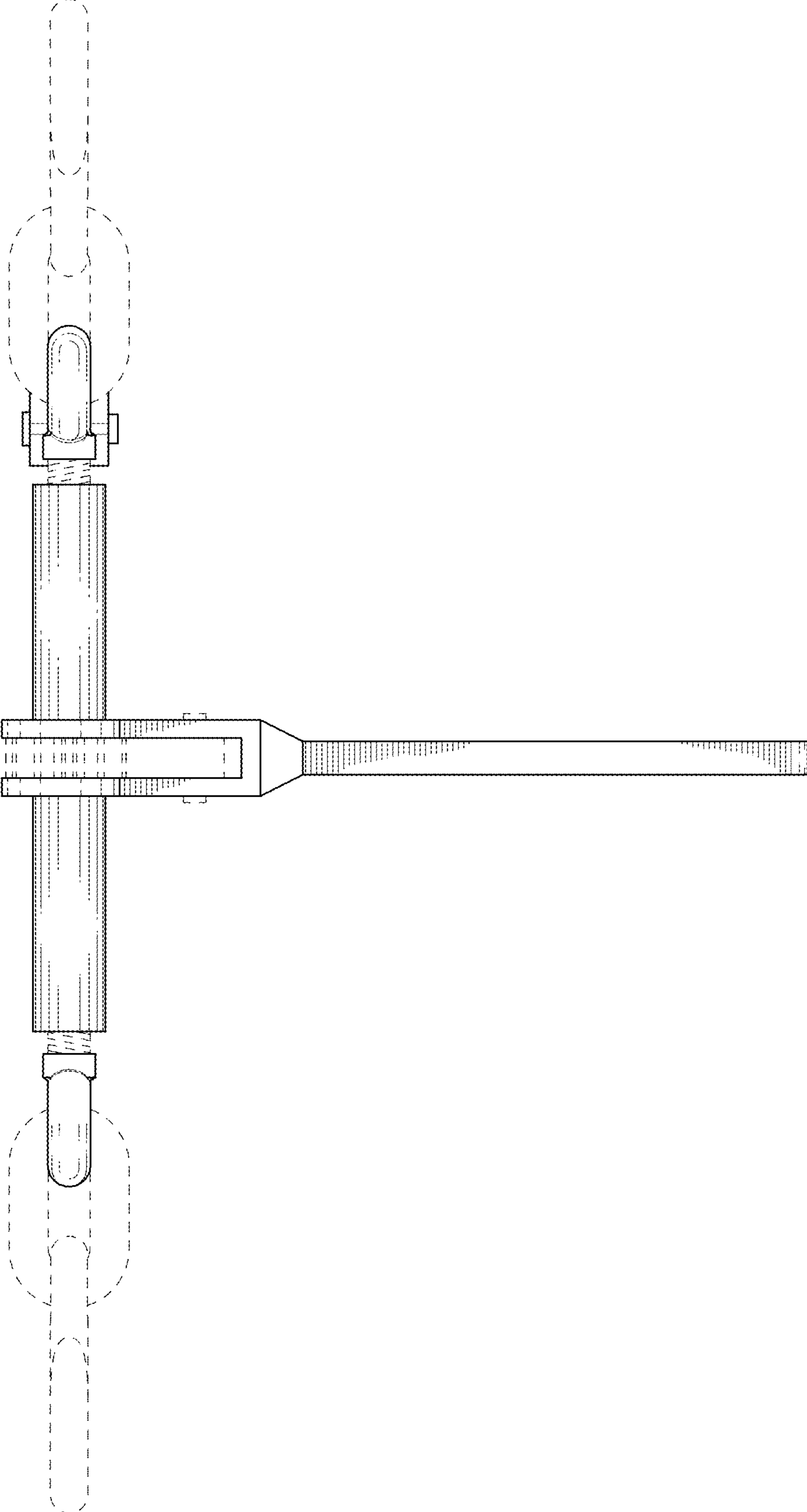


FIG. 7

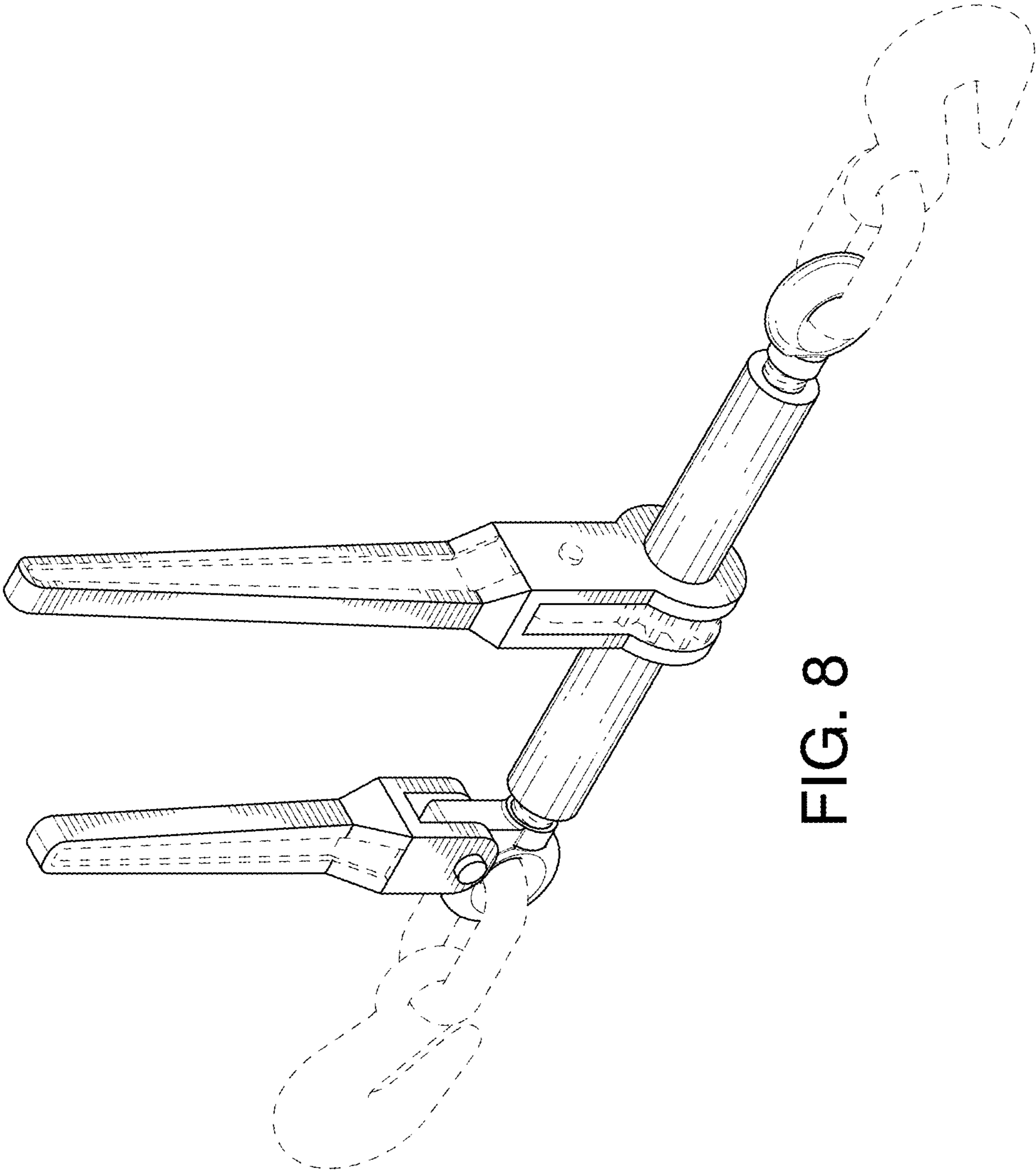


FIG. 8