



US00D893967S

(12) **United States Design Patent**  
**Vazquez et al.**

(10) **Patent No.:** **US D893,967 S**

(45) **Date of Patent:** **\*\* Aug. 25, 2020**

- (54) **WELDING TORCH**
- (71) Applicant: **LINCOLN GLOBAL, INC.**, Santa Fe Springs, CA (US)
- (72) Inventors: **Daniel Herrera Vazquez**, Durango (MX); **Joseph Brusky**, Willowick, OH (US); **Nicole V. Corbin**, Cleveland, OH (US); **Jeffrey L. Kachline**, Highland Heights, OH (US)
- (73) Assignee: **LINCOLN GLOBAL, INC.**, Santa Fe Springs, CA (US)

D537,092 S *	2/2007	Owens	.....	D15/144
D537,166 S	2/2007	Huang		
7,186,850 B2 *	3/2007	Silverberg	.....	C07D 311/80 549/381
D555,446 S	11/2007	Picaza Ibarondo		
D638,270 S	5/2011	Flattinger		
D647,382 S *	10/2011	Flattinger	.....	D8/107
D672,378 S *	12/2012	Boyer	.....	D15/144
D683,773 S *	6/2013	Boyer	.....	D15/144
D735,002 S	7/2015	Bondy		
D752,403 S *	3/2016	Kindig	.....	D15/144
D771,727 S	11/2016	Imi		
D813,627 S	3/2018	Tsai		
D849,808 S *	5/2019	Assmann	.....	D15/144
D876,914 S *	3/2020	Mitterhumer	.....	D8/30
2004/0020911 A1 *	2/2004	Centner	.....	B23K 9/285 219/137.62

- (\*\*) Term: **15 Years**
- (21) Appl. No.: **29/689,301**
- (22) Filed: **Apr. 29, 2019**

**Related U.S. Application Data**

- (63) Continuation-in-part of application No. 29/668,560, filed on Oct. 31, 2018, now Pat. No. Des. 883,055.
- (51) **LOC (12) Cl.** ..... **08-05**
- (52) **U.S. Cl.**  
USPC ..... **D8/30; D15/144**
- (58) **Field of Classification Search**  
USPC ..... D8/30, 107; D15/144, 144.1, 144.2  
CPC ..... B23K 9/00; B23K 9/1087; B23K 9/0953;  
B23K 9/124; B23K 9/325; B23K 9/287;  
B23K 9/32; B23K 9/295  
See application file for complete search history.

(56) **References Cited**

**U.S. PATENT DOCUMENTS**

D343,629 S	1/1994	Bode
6,025,574 A	2/2000	Colangelo
6,225,599 B1	5/2001	Altekruse
6,979,799 B2	12/2005	Centner
D532,432 S	11/2006	Owens

(Continued)

*Primary Examiner* — Philip S Hyder

(74) *Attorney, Agent, or Firm* — Tucker Ellis LLP

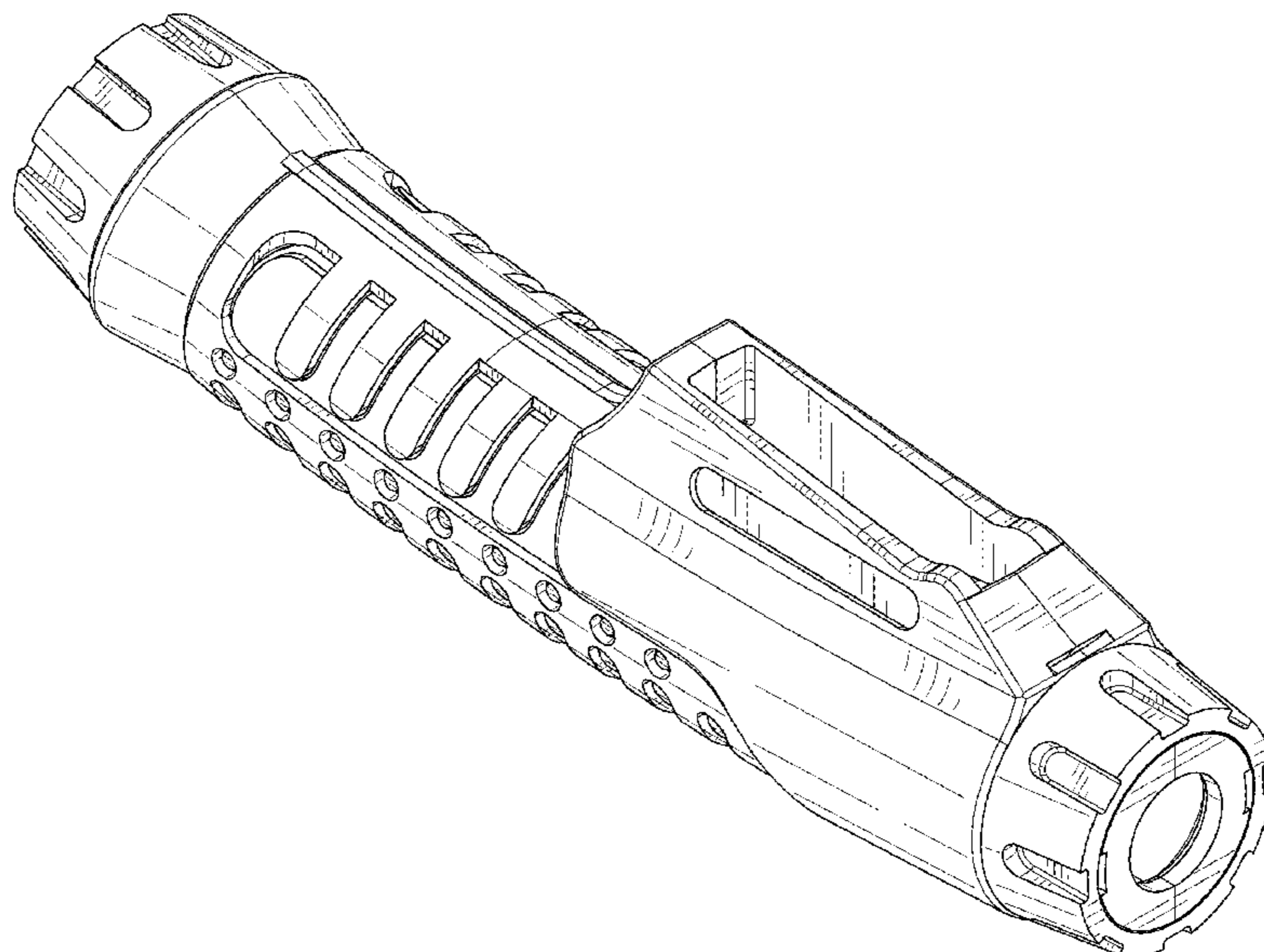
(57) **CLAIM**

The ornamental design for a welding torch, as shown and described.

**DESCRIPTION**

FIG. 1 is a perspective view of an embodiment of a welding torch showing our new design;  
 FIG. 2 is a left view of the welding torch illustrated in FIG. 1;  
 FIG. 3 is a front view of the welding torch illustrated in FIG. 1;  
 FIG. 4 is a right side view of the welding torch illustrated in FIG. 1;  
 FIG. 5 is a rear view of the welding torch illustrated in FIG. 1;  
 FIG. 6 is a top view of the welding torch illustrated in FIG. 1; and,  
 FIG. 7 is a bottom view of the welding torch illustrated in FIG. 1.

**1 Claim, 7 Drawing Sheets**



(56)

**References Cited**

U.S. PATENT DOCUMENTS

2007/0164006 A1\* 7/2007 Burgstaller ..... B23K 31/125  
219/130.01  
2009/0152254 A1 6/2009 Giese  
2011/0062131 A1 3/2011 Binzel  
2018/0178307 A1 6/2018 Whipple

\* cited by examiner

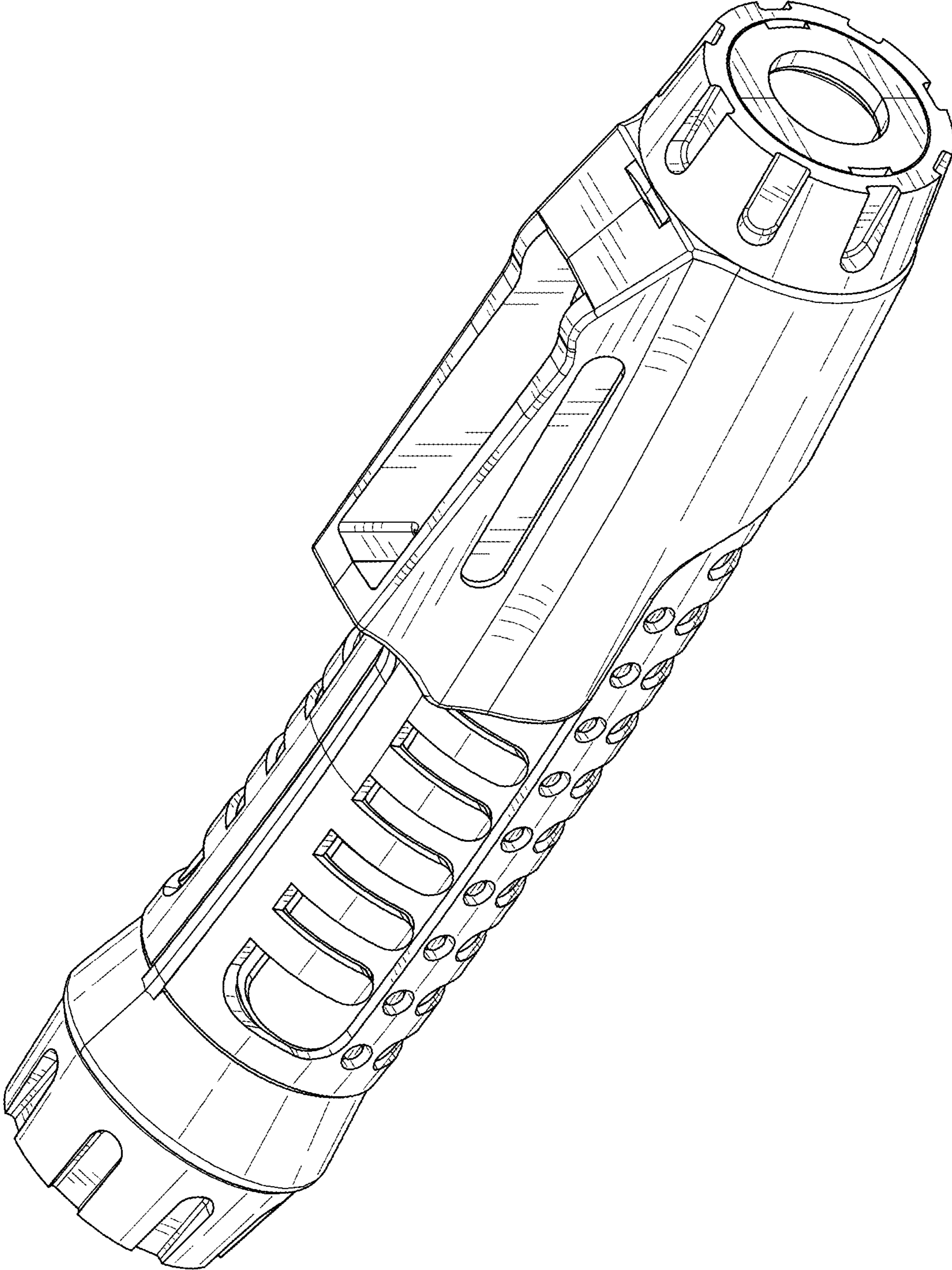


FIG. 1

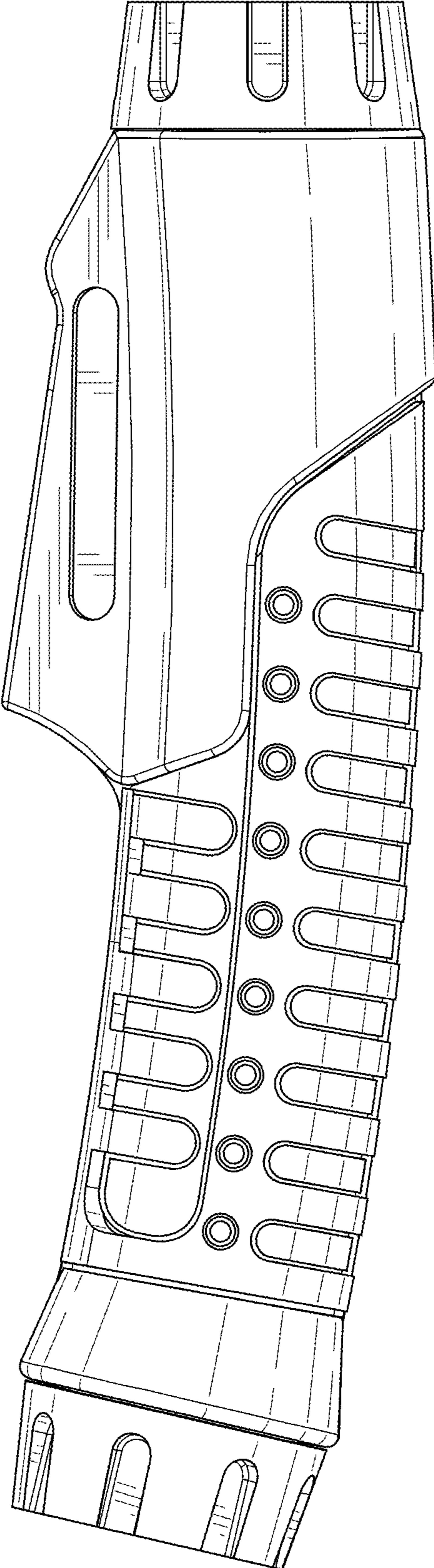


FIG. 2

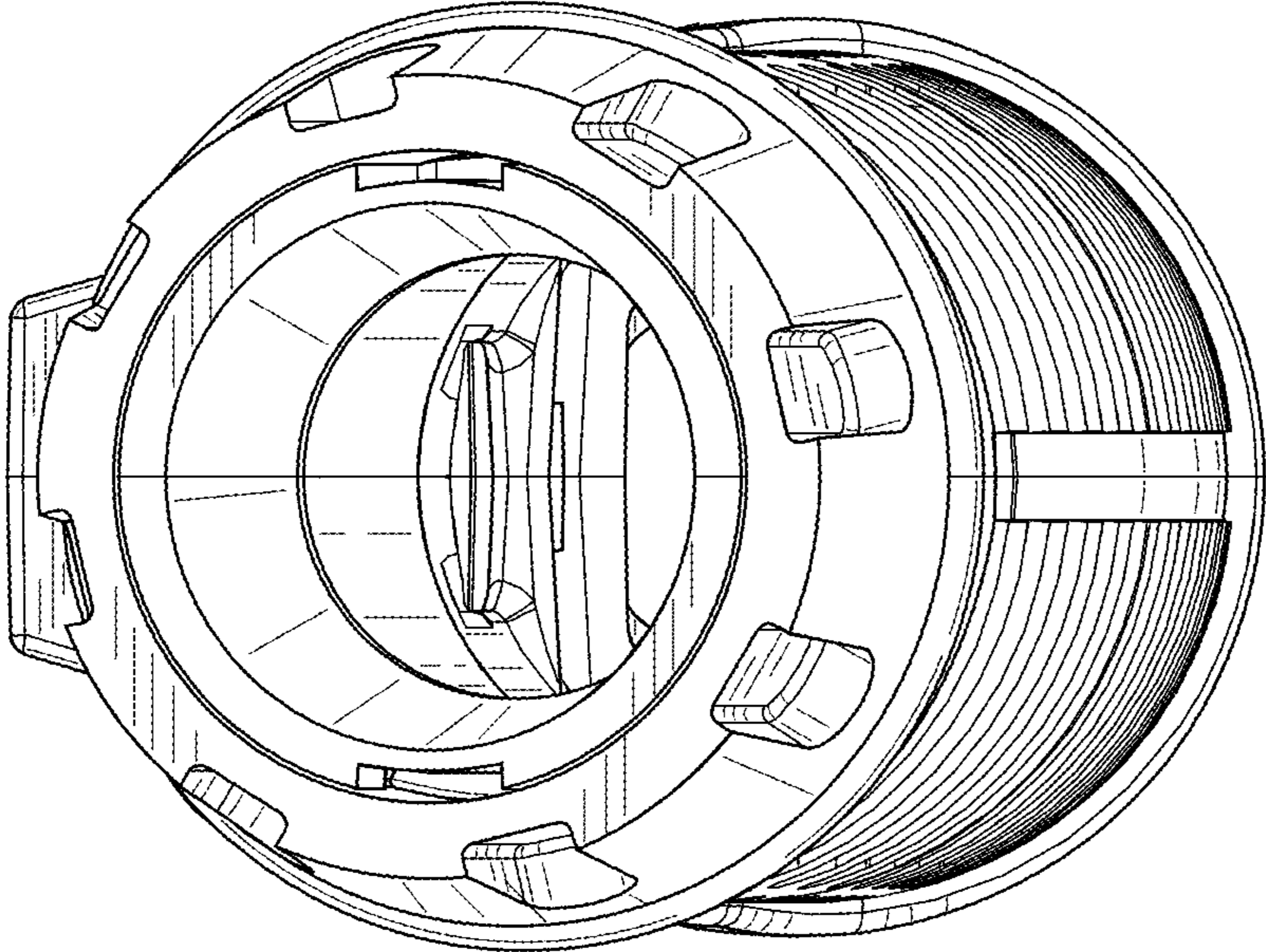


FIG. 3

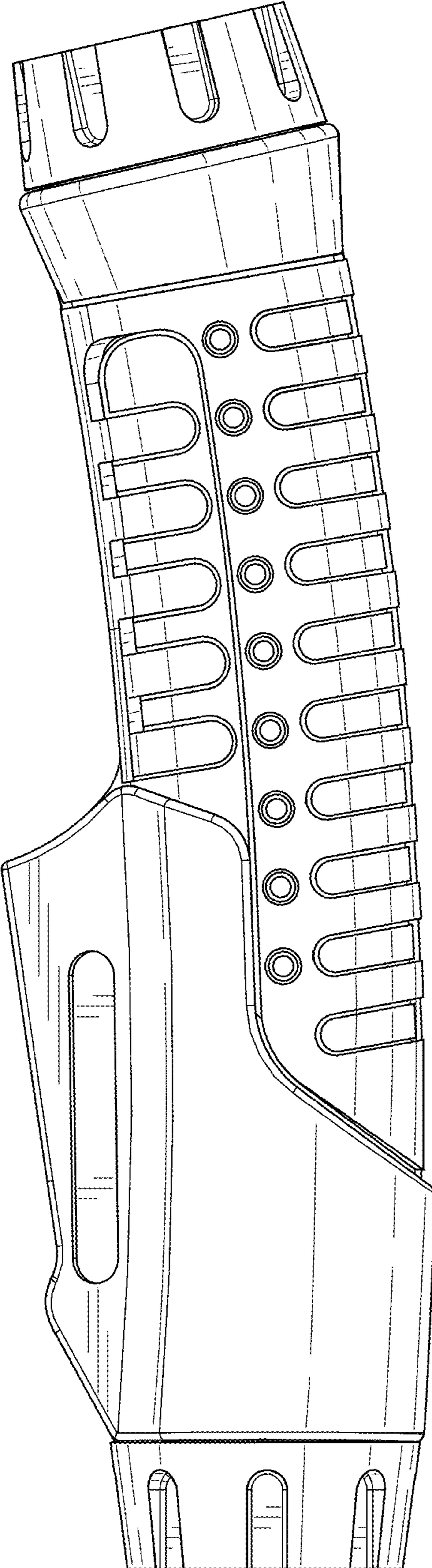


FIG. 4

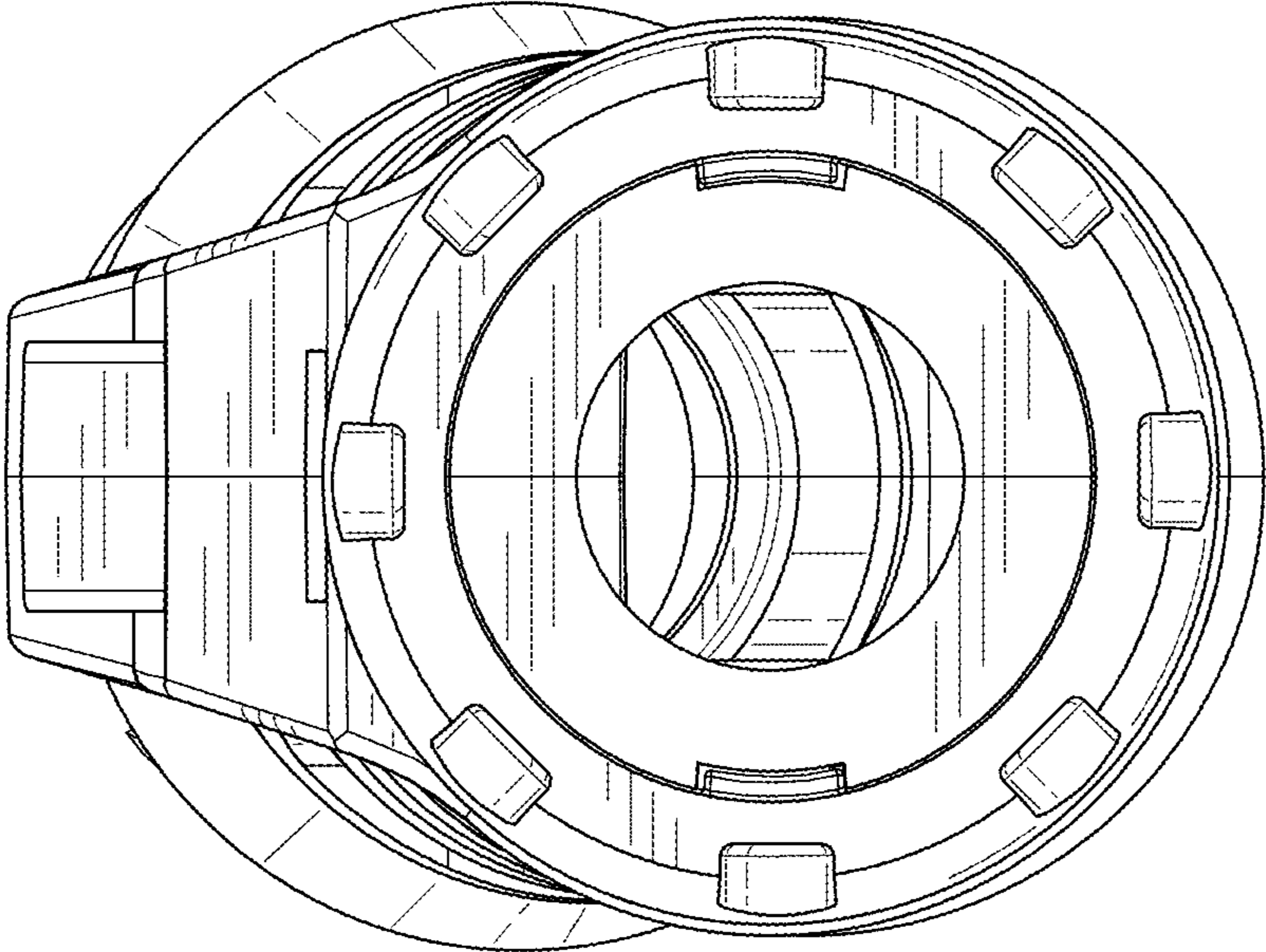


FIG. 5

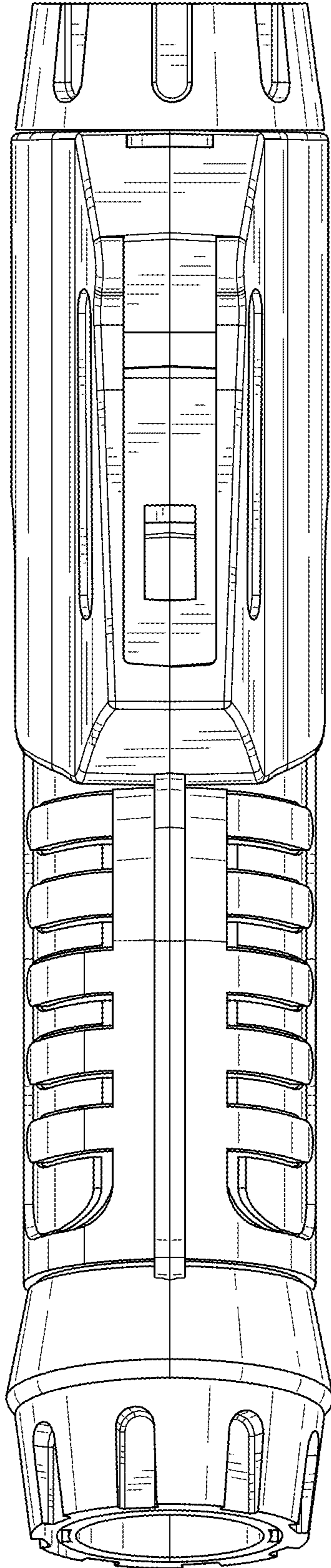


FIG. 6



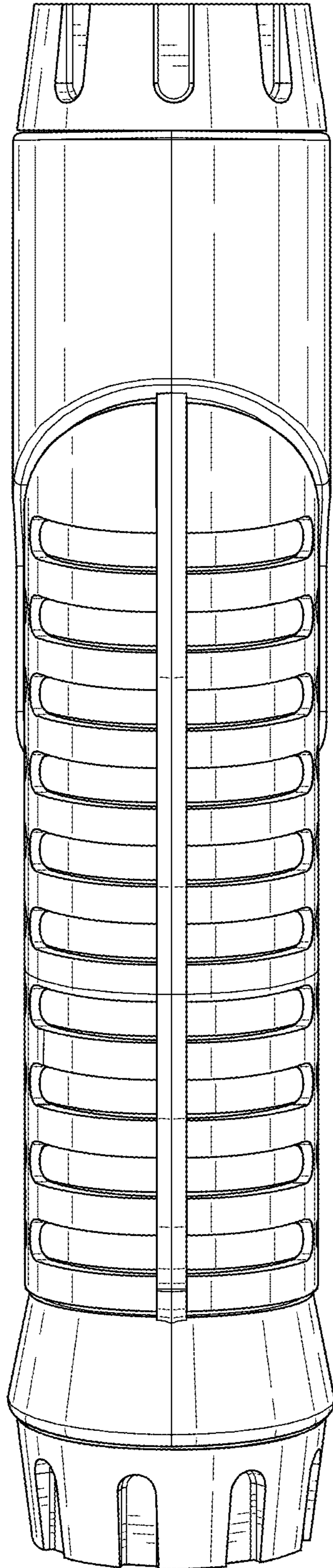


FIG. 7