

US00D893965S

(12) **United States Design Patent** (10) **Patent No.:** **US D893,965 S**
De Lay et al. (45) **Date of Patent:** **** Aug. 25, 2020**

(54) **HEAT GUN** 8,424,543 B2 * 4/2013 Lombardi A45D 20/08
132/271

(71) Applicant: **Master Appliance Corporation,** D709,745 S 7/2014 Radwill et al.
Racine, WI (US) D710,165 S 8/2014 Radwill et al.
(Continued)

(72) Inventors: **Daniel J. De Lay,** Muskego, WI (US);
Mark Brenneman, Burlington, WI
(US); **Steve Landowski,** Kenosha, WI
(US); **Nicholas Hirsch,** Wind Lake, WI
(US)

(73) Assignee: **Master Appliance Corporation,**
Racine, WI (US)

(**) Term: **15 Years**

(21) Appl. No.: **29/660,302**

(22) Filed: **Aug. 20, 2018**

(51) **LOC (12) Cl.** **08-05**

(52) **U.S. Cl.**
USPC **D8/29.1**

(58) **Field of Classification Search**
USPC D8/29.1, 29.2, 30, 69; D28/13
CPC A45D 20/08; A45D 20/10; F24H 3/002;
F24H 3/0423
See application file for complete search history.

(56) **References Cited**

U.S. PATENT DOCUMENTS

D248,169 S *	6/1978	Yamamoto	D28/13
D274,551 S	7/1984	Benjamin et al.		
D290,528 S *	6/1987	Muller	D28/13
D334,876 S	4/1993	Swetish		
5,349,161 A	9/1994	Bockholt		
D353,224 S *	12/1994	Rizzuto, Jr.	D28/13
5,974,690 A *	11/1999	Canada	A45D 20/12 34/329
D439,372 S *	3/2001	Yip	D28/13
6,205,674 B1 *	3/2001	Kaizuka	A45D 20/12 219/553
D461,383 S *	8/2002	Blackburn	D8/29.1
D613,569 S	4/2010	Steinel		

OTHER PUBLICATIONS

Master Appliance, "Master Heat Guns & Kits," <<https://www.masterappliance.com/master-heat-guns-kits/>> website publically available at least as early as Oct. 23, 2017.

(Continued)

Primary Examiner — Philip S Hyder

(74) *Attorney, Agent, or Firm* — Boyle Fredrickson S.C.

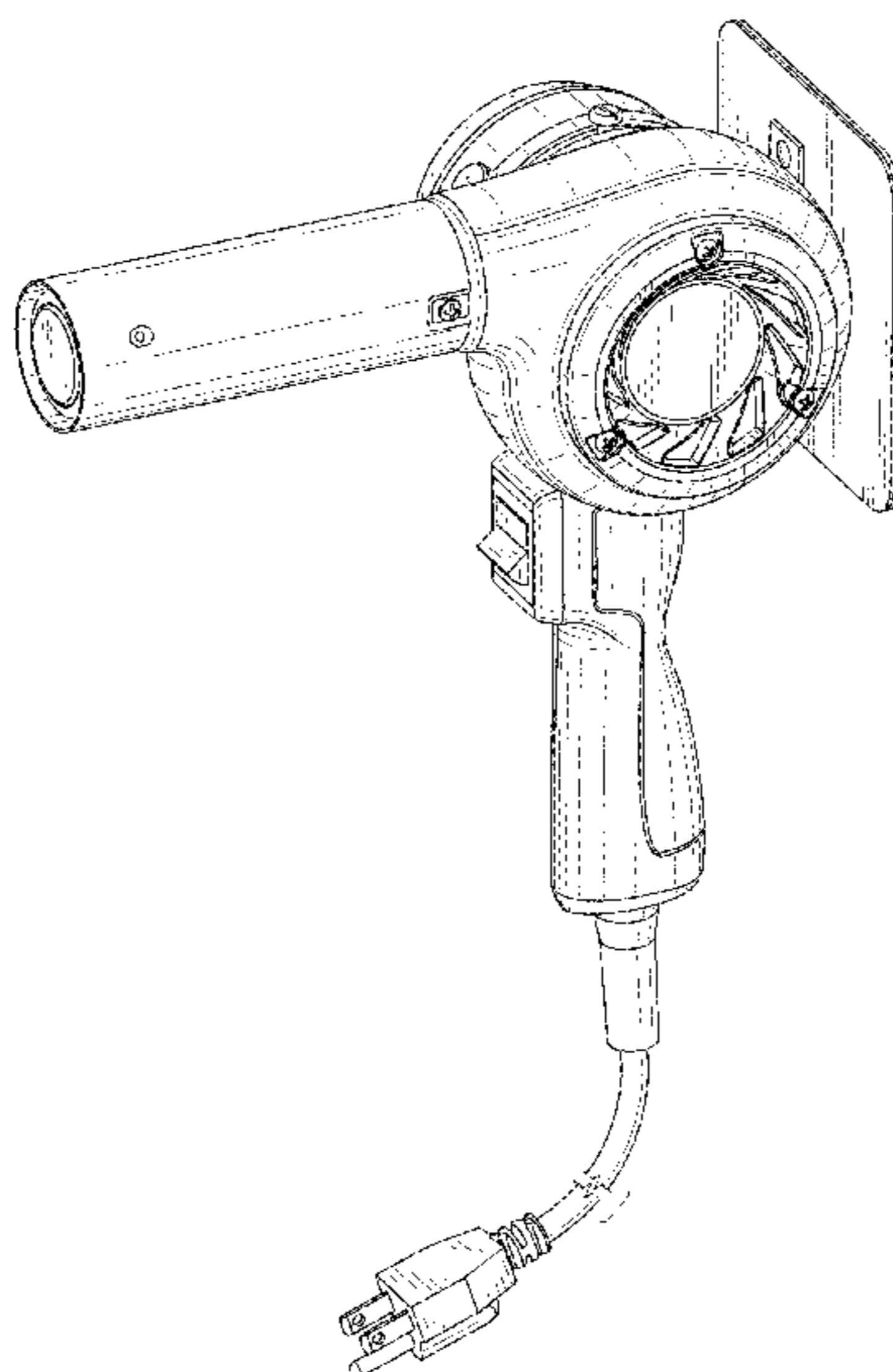
(57) **CLAIM**

We claim the ornamental design for a heat gun, as shown and described.

DESCRIPTION

FIG. 1 is right side perspective view of a heat gun, embodying the new design;
FIG. 2 is a left side perspective view thereof;
FIG. 3 is a front elevation view thereof;
FIG. 4 is a rear elevation view thereof;
FIG. 5 is a left side elevation view thereof;
FIG. 6 is a right side elevation view thereof;
FIG. 7 is a top plan view thereof;
FIG. 8 is a bottom plan view thereof;
FIG. 9 is right side perspective view of a second embodiment of the heat gun, embodying the new design;
FIG. 10 is a left side perspective view thereof;
FIG. 11 is a front elevation view thereof;
FIG. 12 is a rear elevation view thereof;
FIG. 13 is a left side elevation view thereof;
FIG. 14 is a right side elevation view thereof;
FIG. 15 is a top plan view thereof; and,
FIG. 16 is a bottom plan view thereof.

1 Claim, 12 Drawing Sheets



(56)

References Cited

U.S. PATENT DOCUMENTS

D775,417 S * 12/2016 Cho D28/13
2008/0181590 A1 7/2008 Radwill et al.

OTHER PUBLICATIONS

Master Appliance, "Varitemp Heat Guns & Heat Gun Kit," <<https://www.masterappliance.com/varitemp-heat-guns-heat-gun-kit/>> website publically available at least as early as Jun. 15, 2017.

* cited by examiner

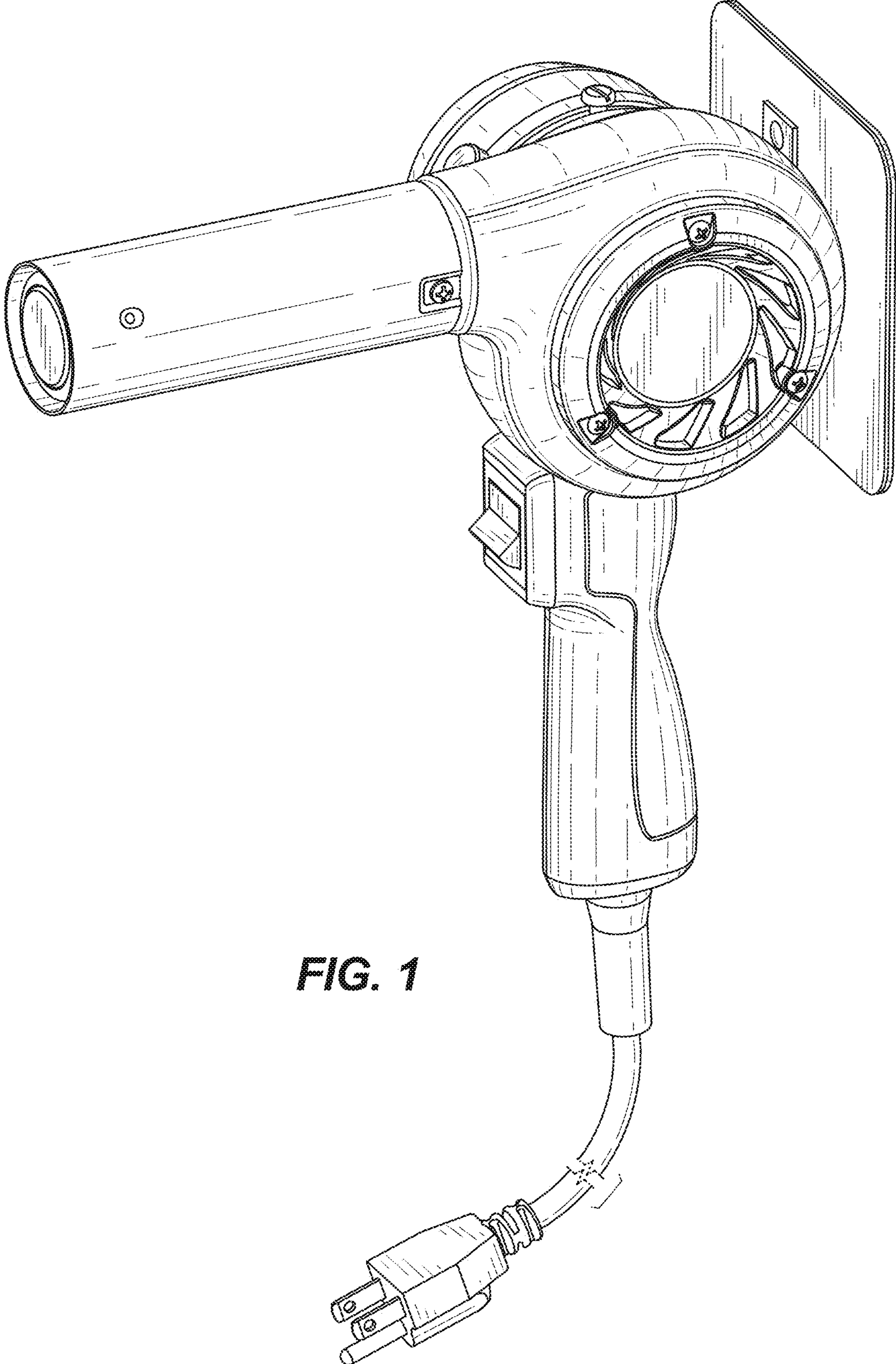


FIG. 1

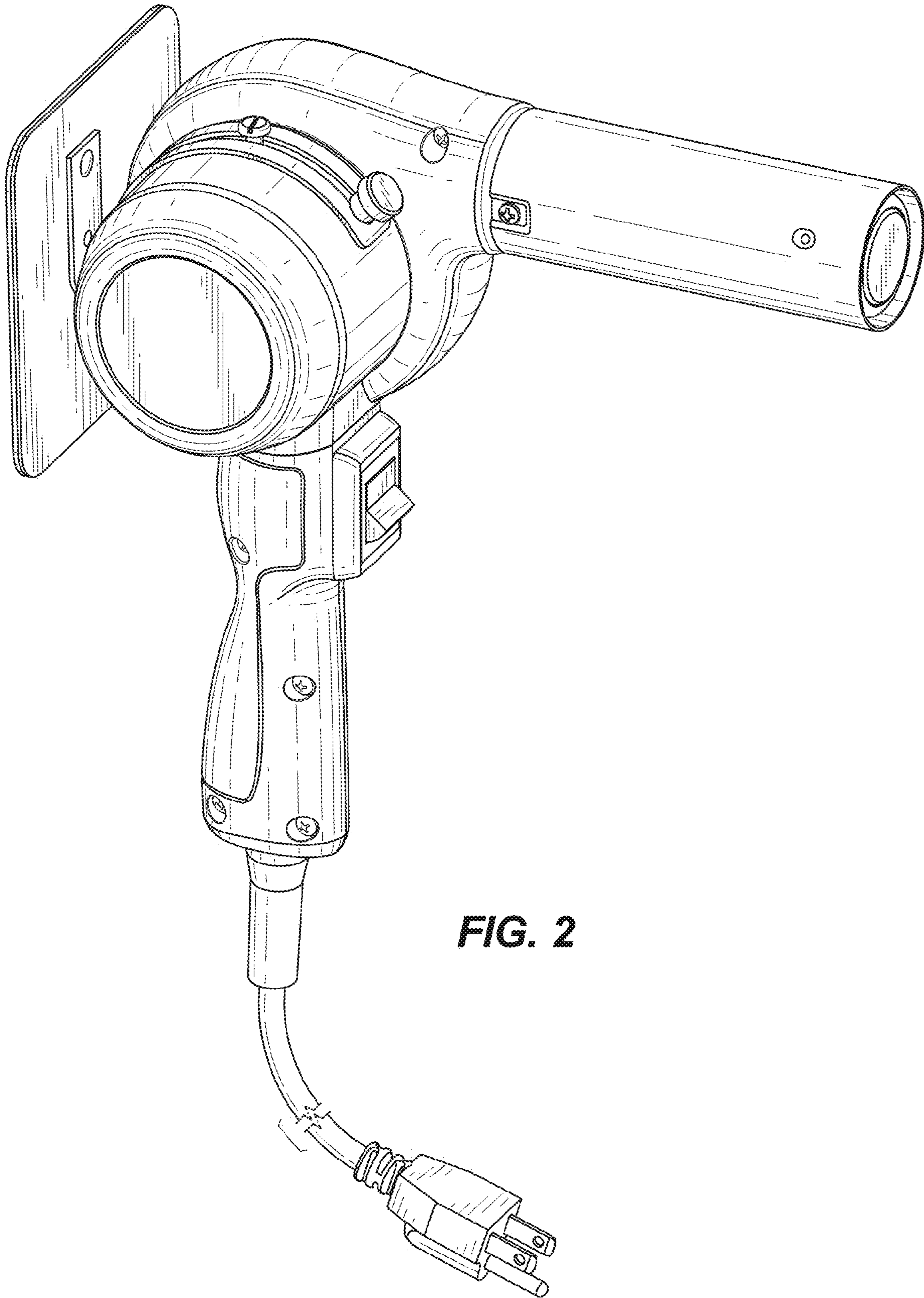


FIG. 2

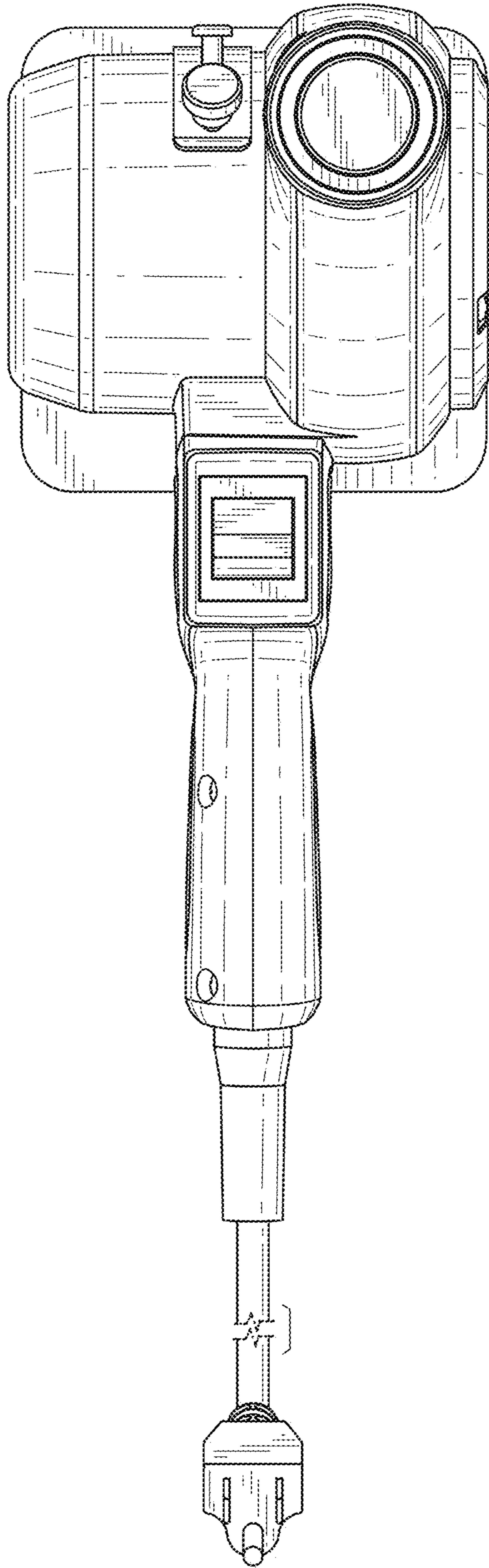


FIG. 3

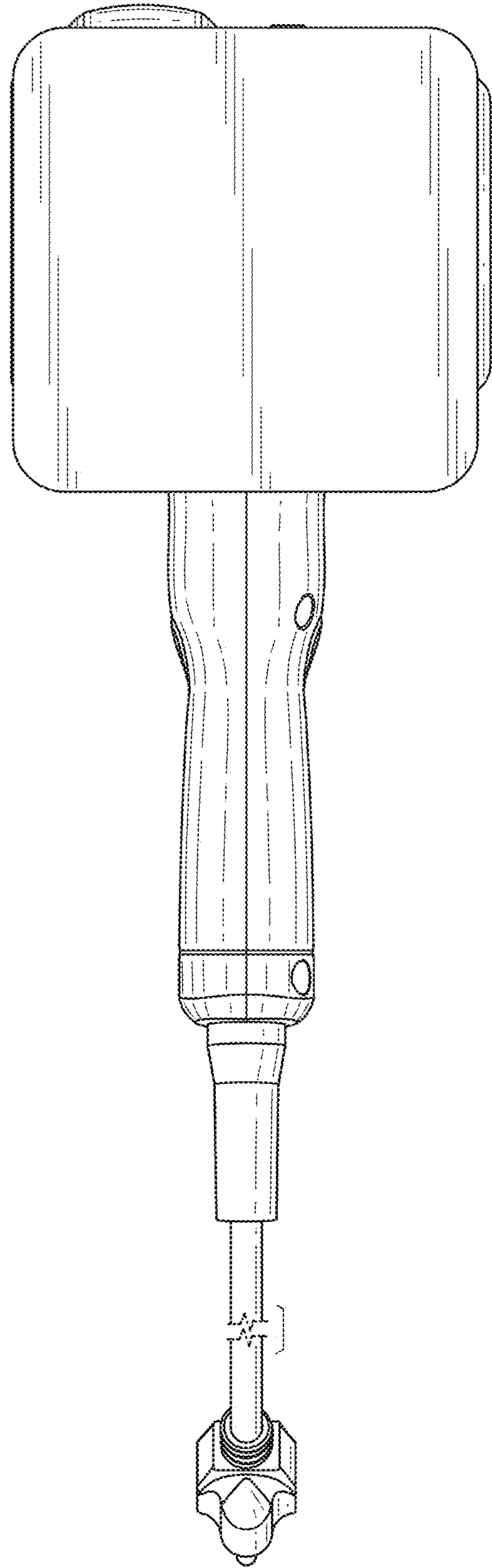


FIG. 4

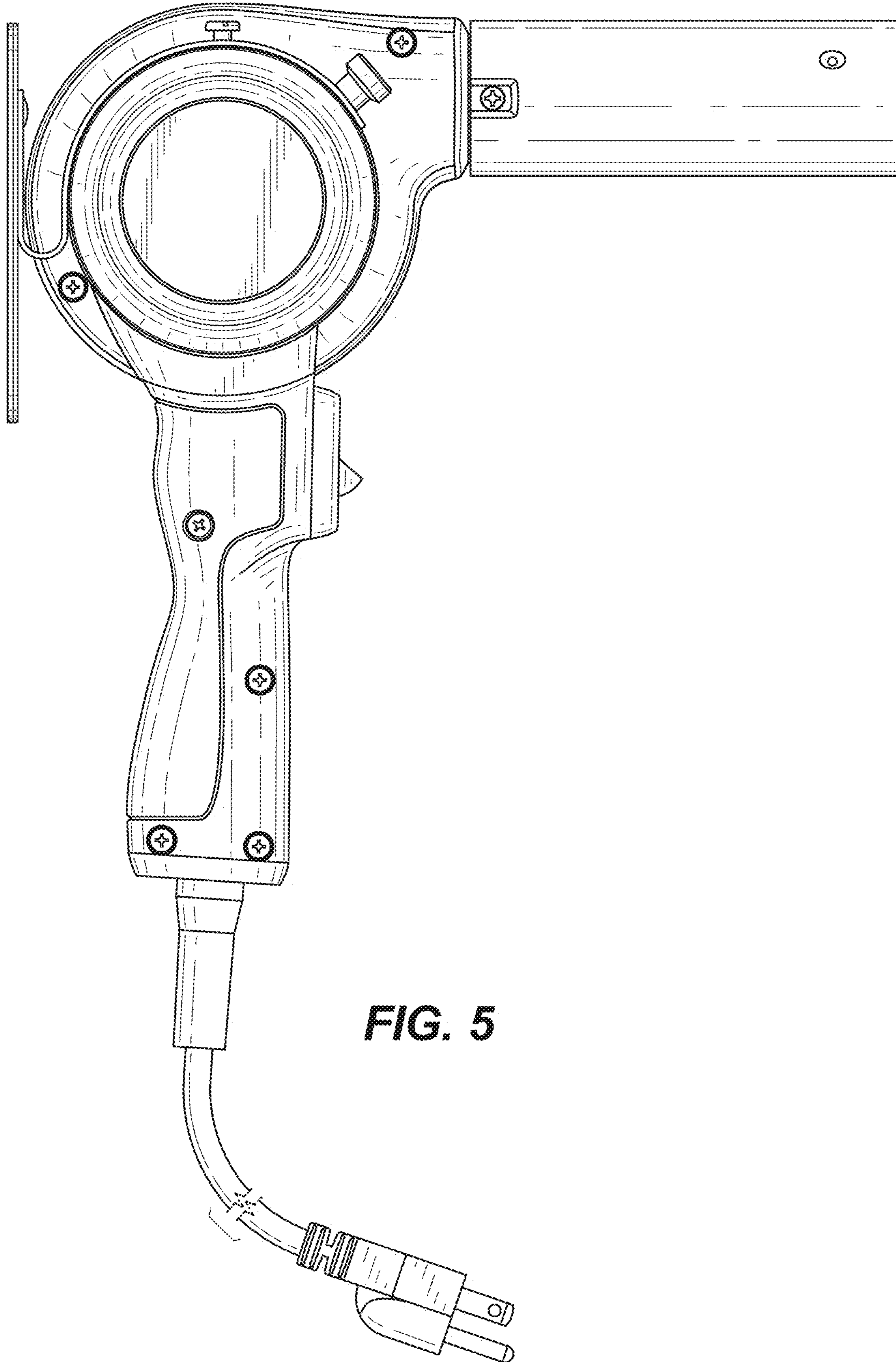


FIG. 5

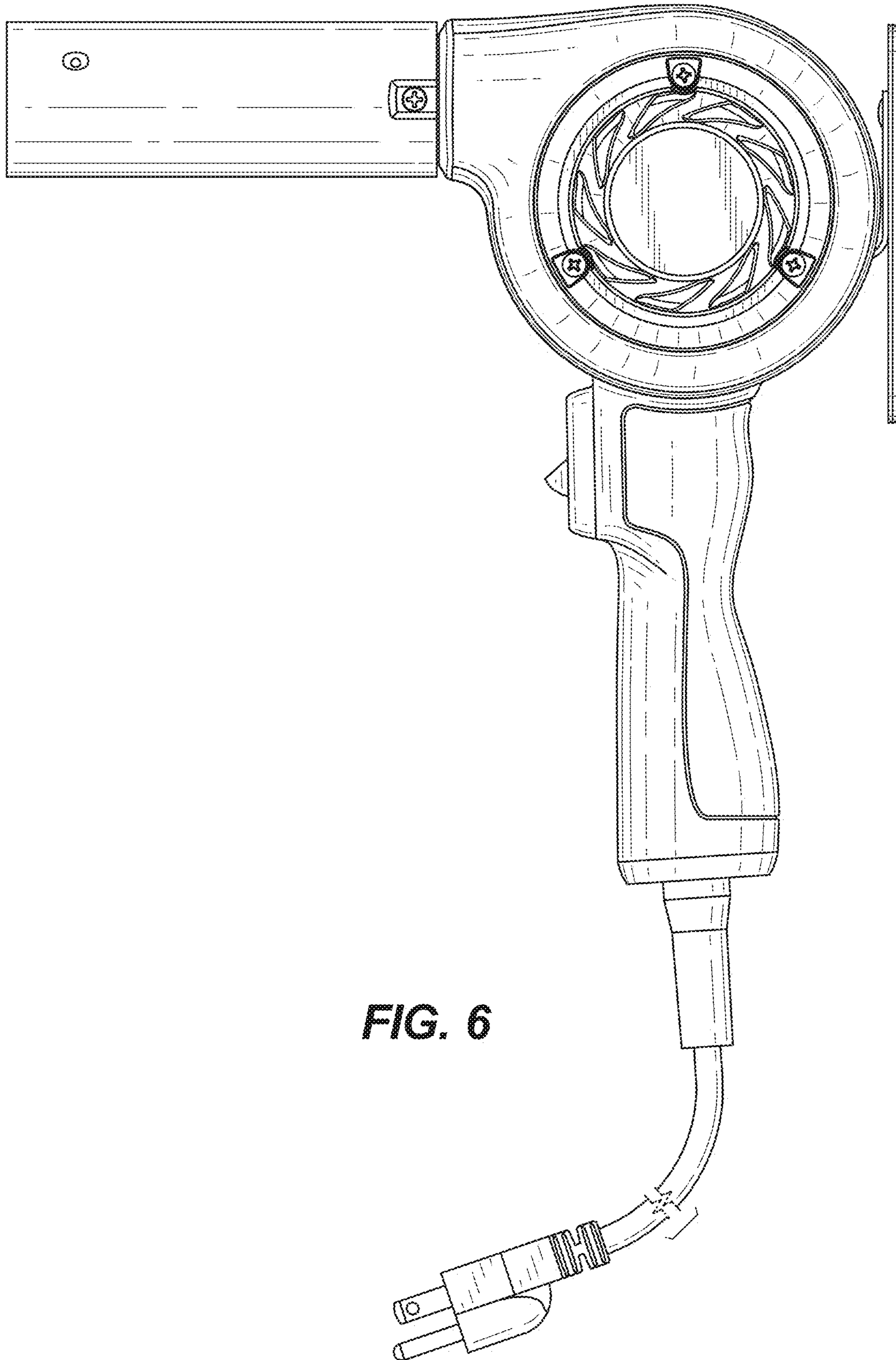


FIG. 6

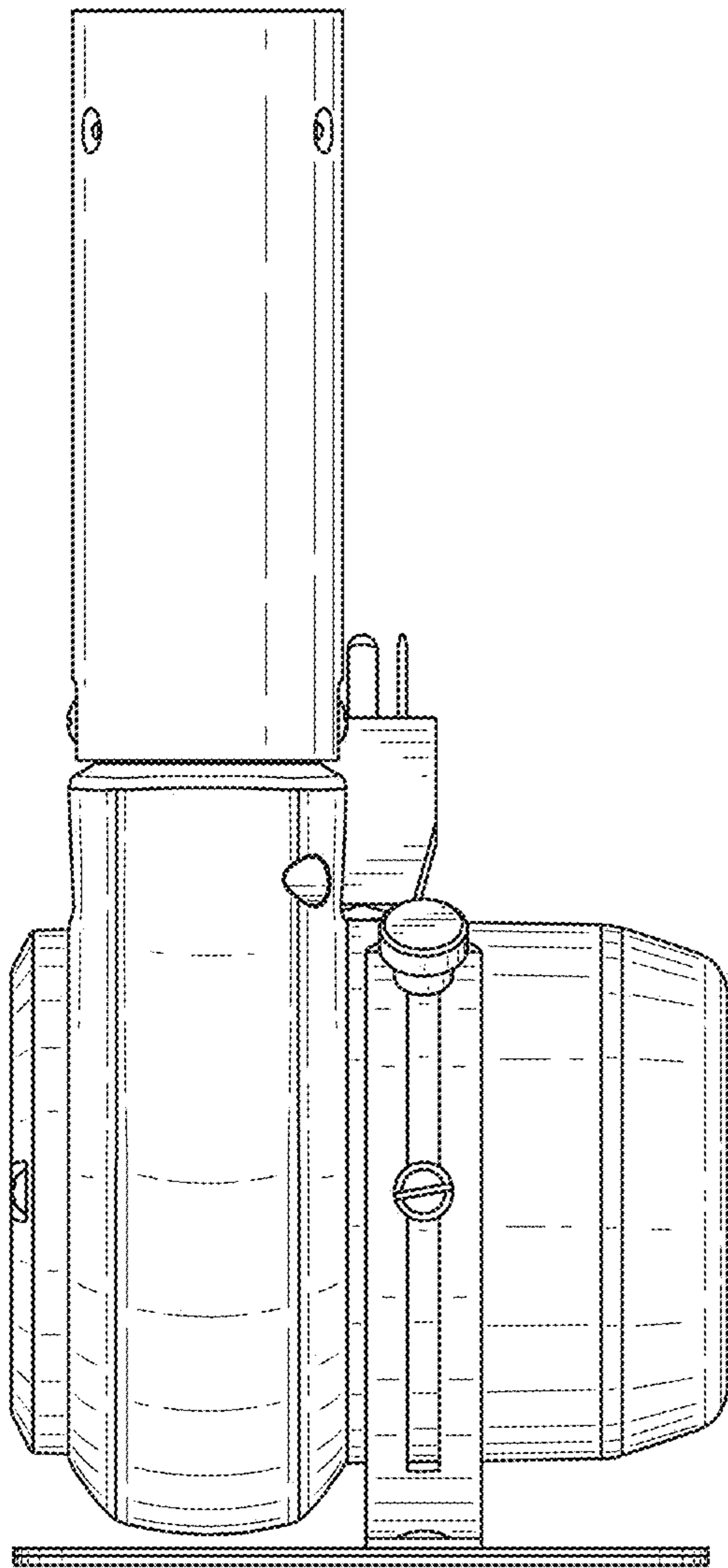


FIG. 7

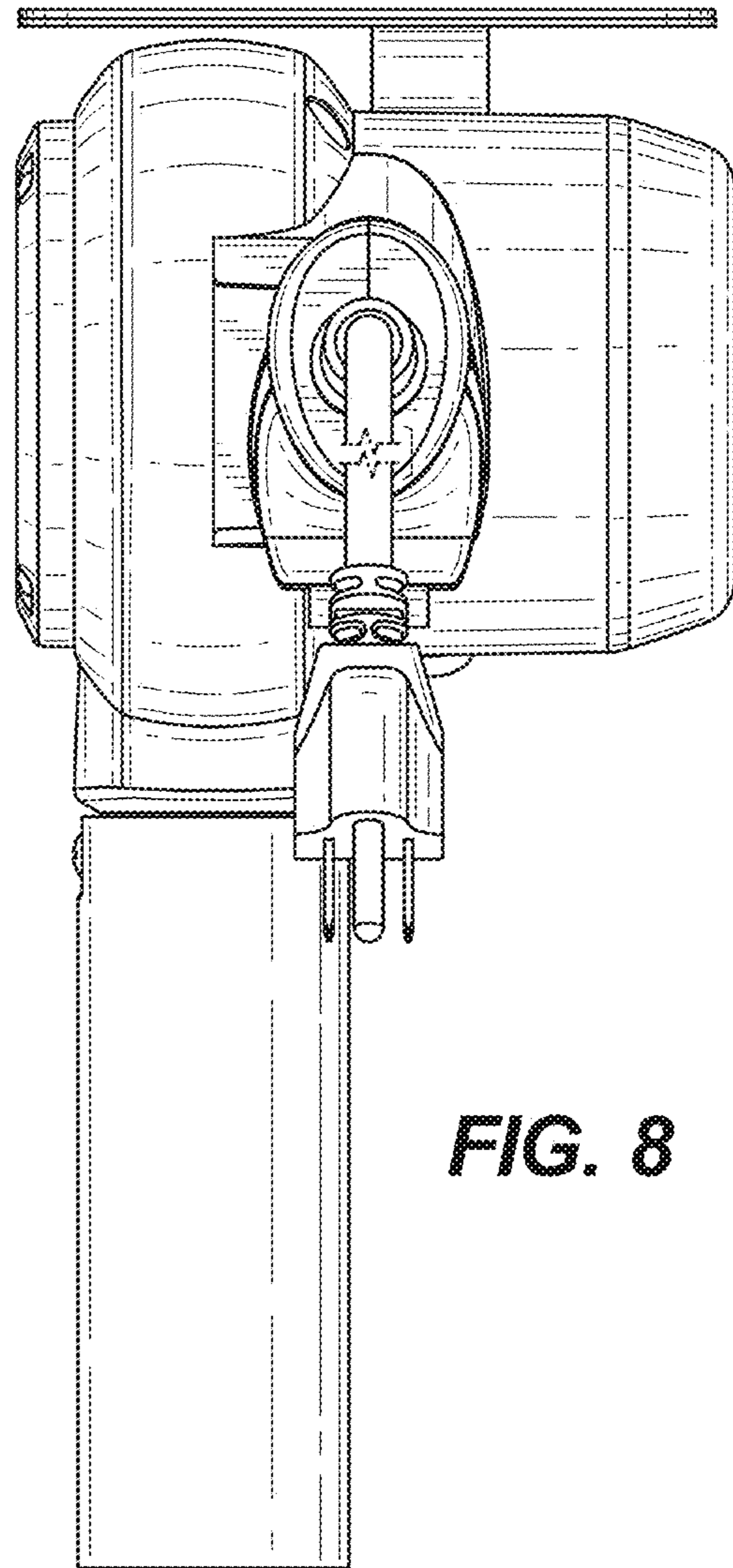


FIG. 8

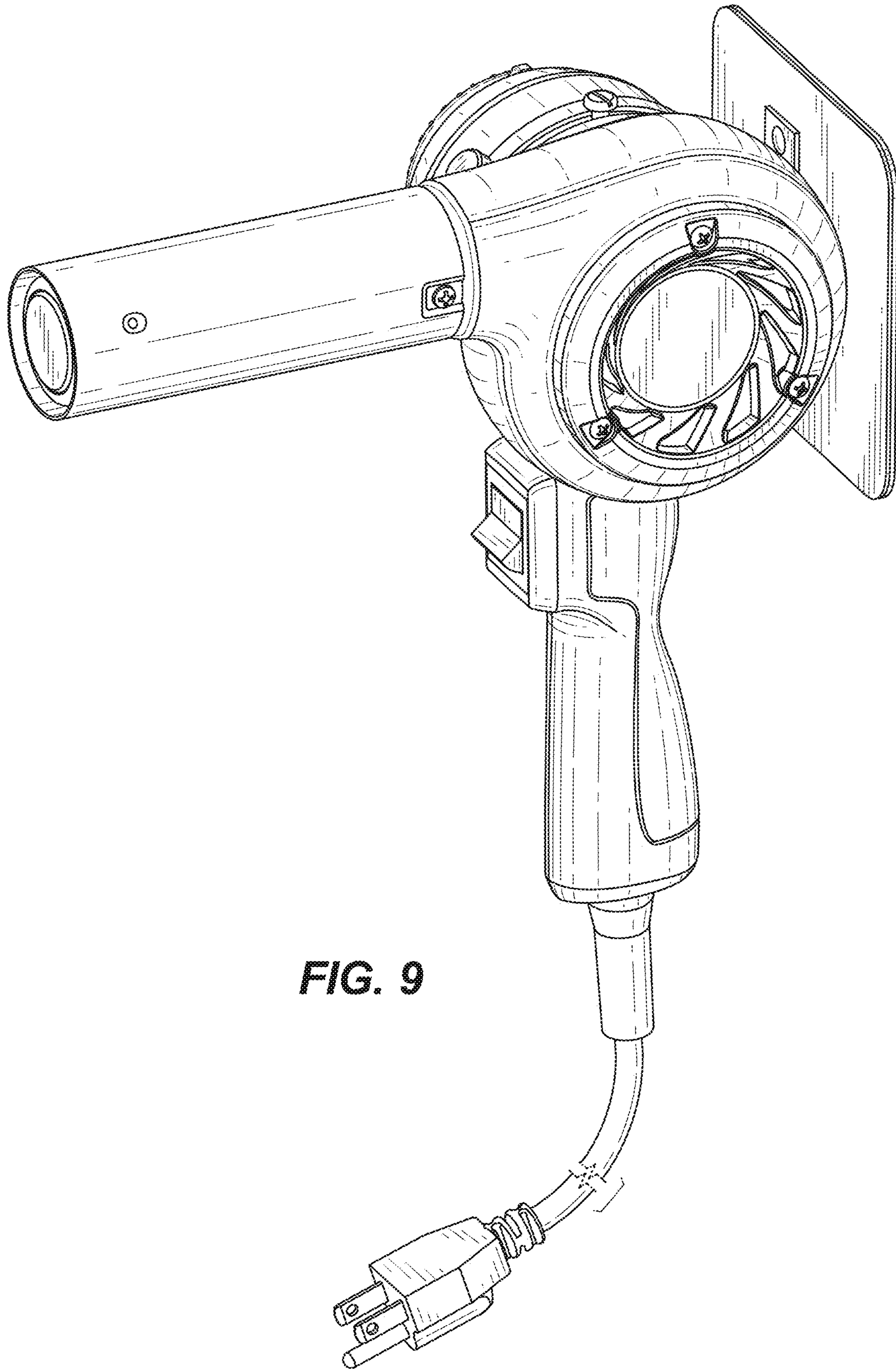


FIG. 9

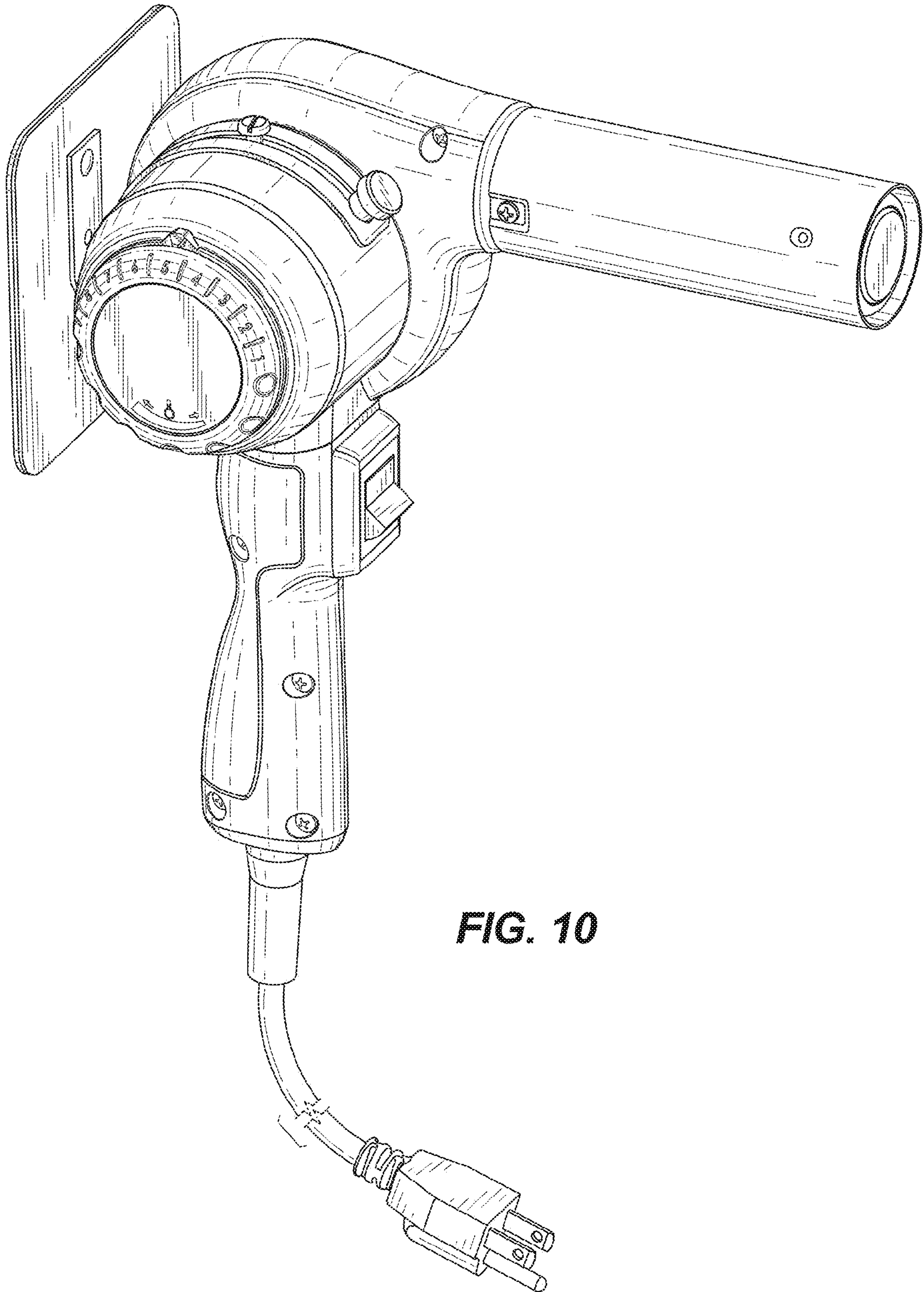


FIG. 10

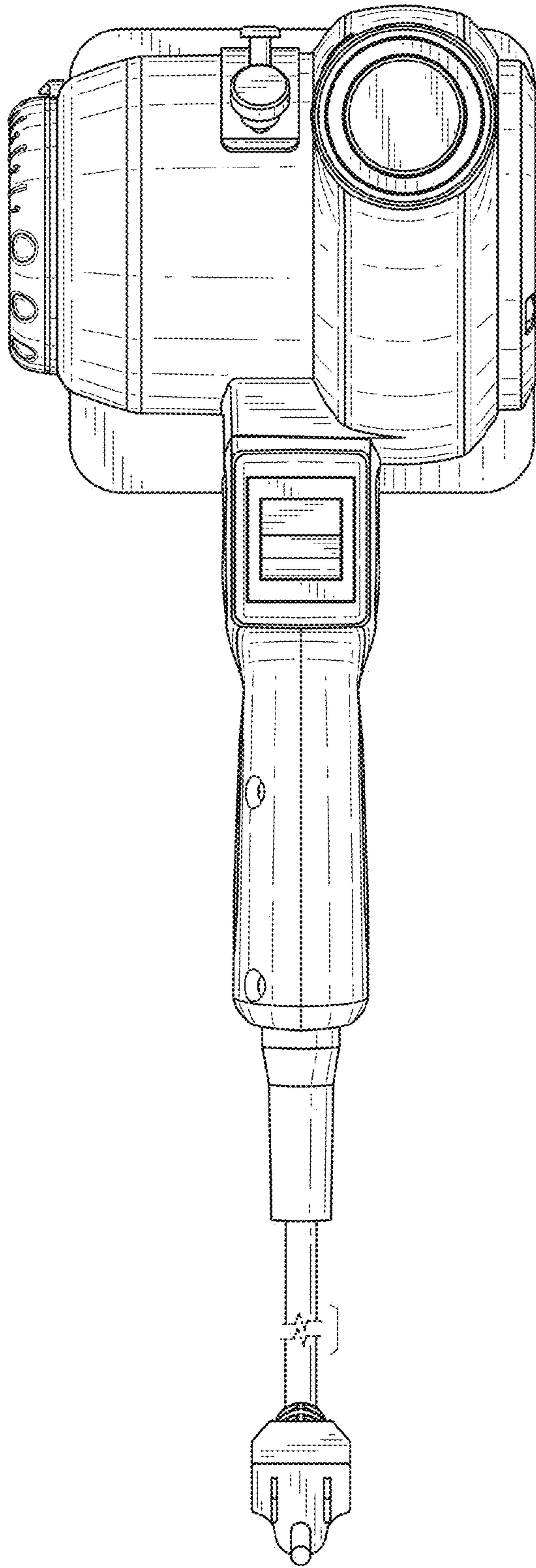


FIG. 11

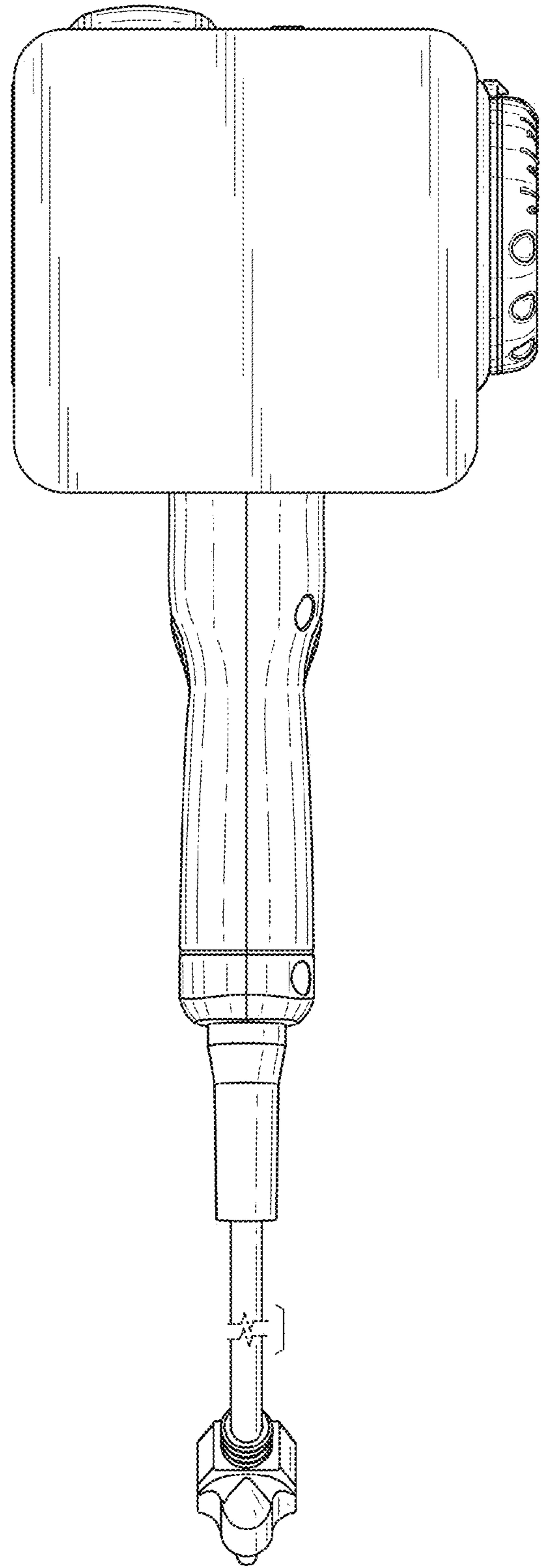


FIG. 12

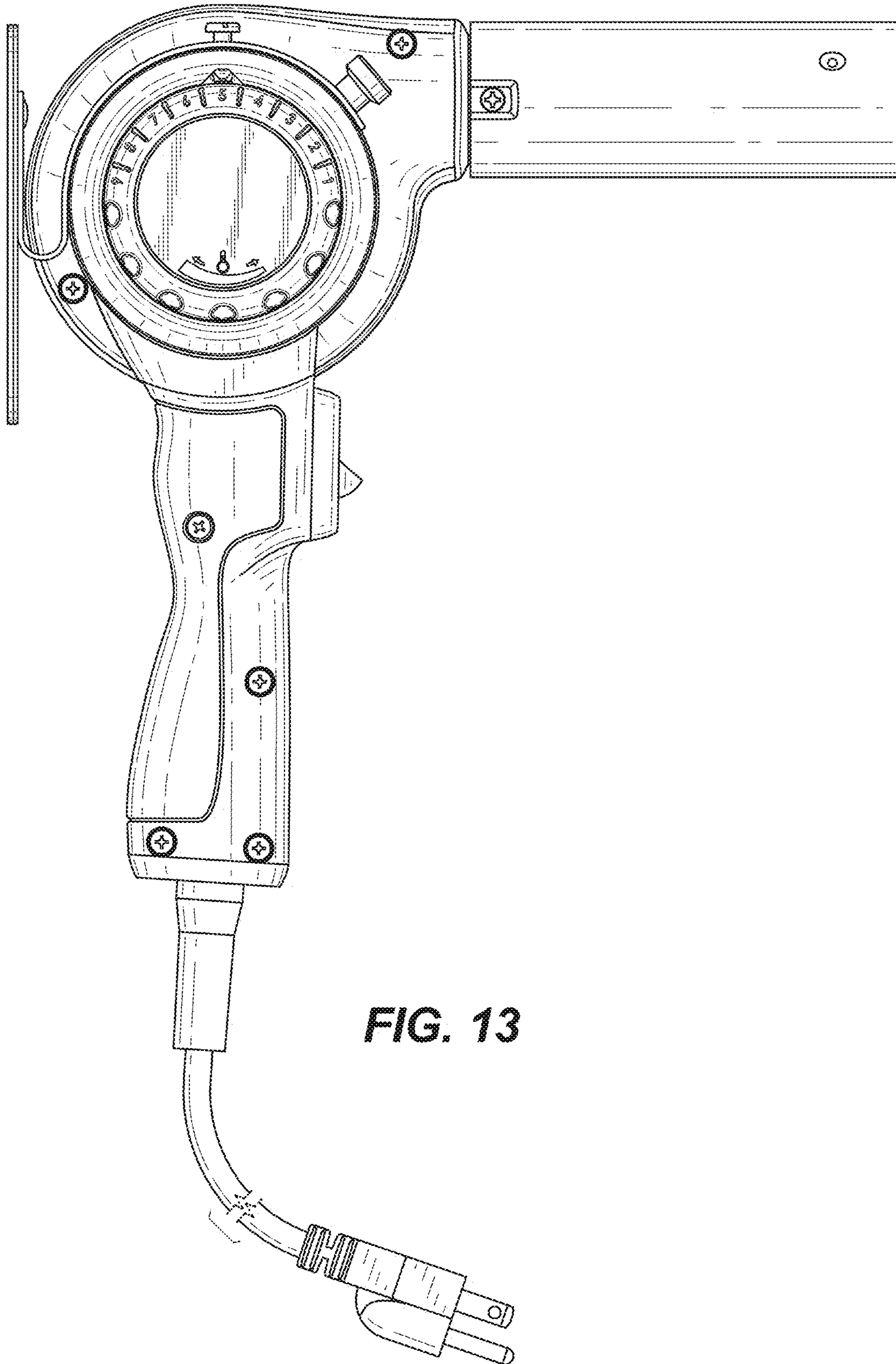


FIG. 13

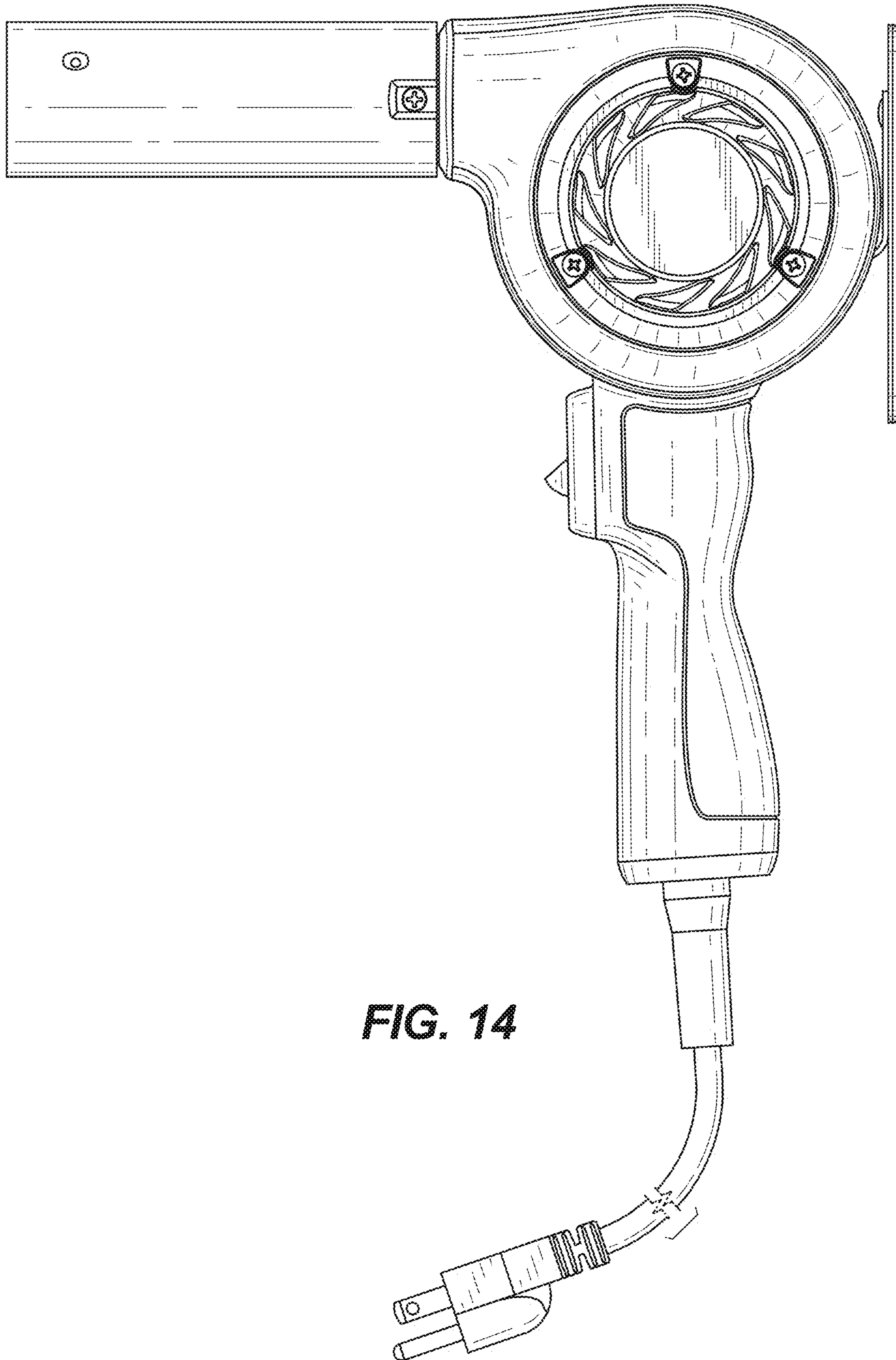


FIG. 14

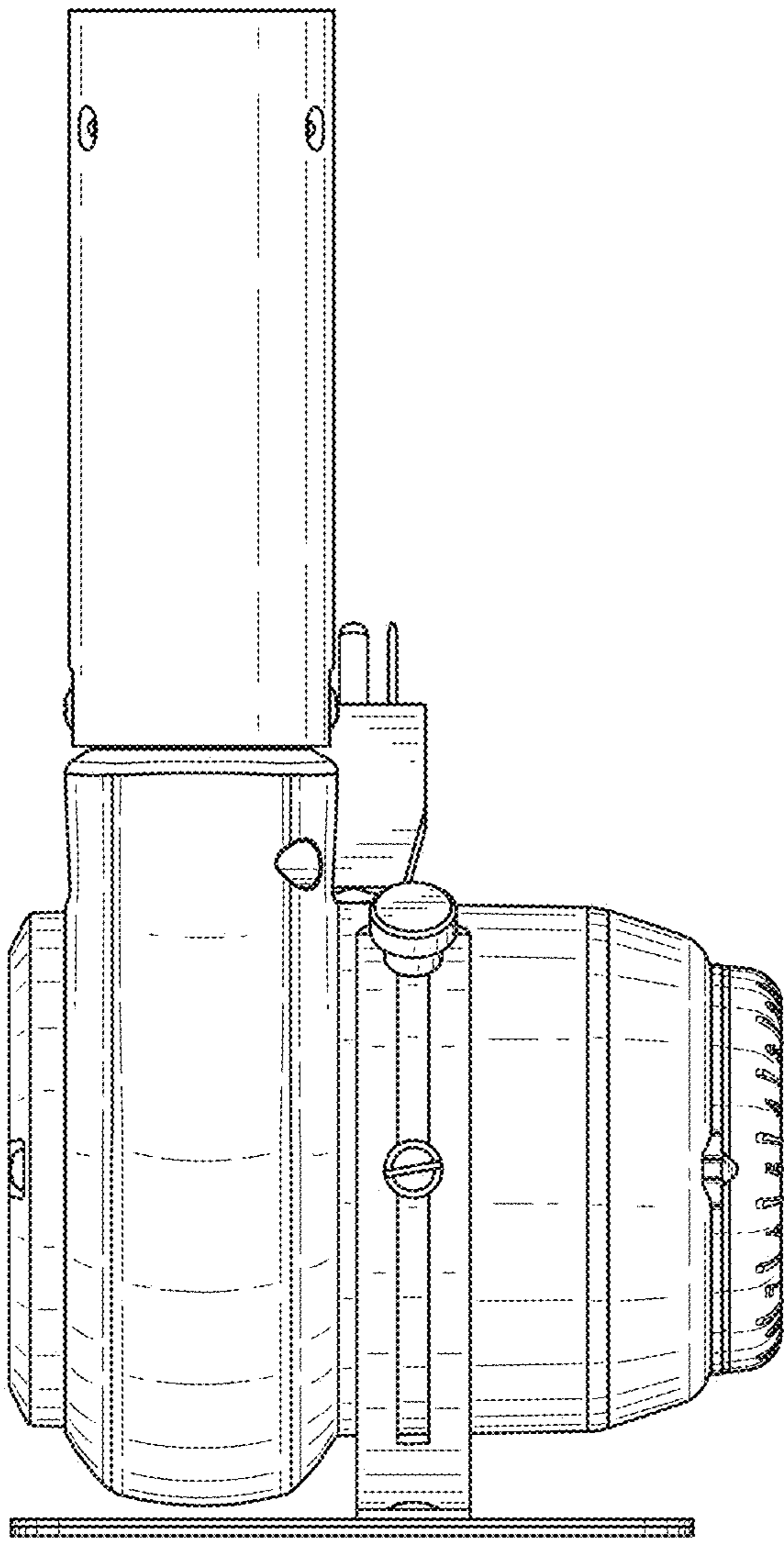


FIG. 15

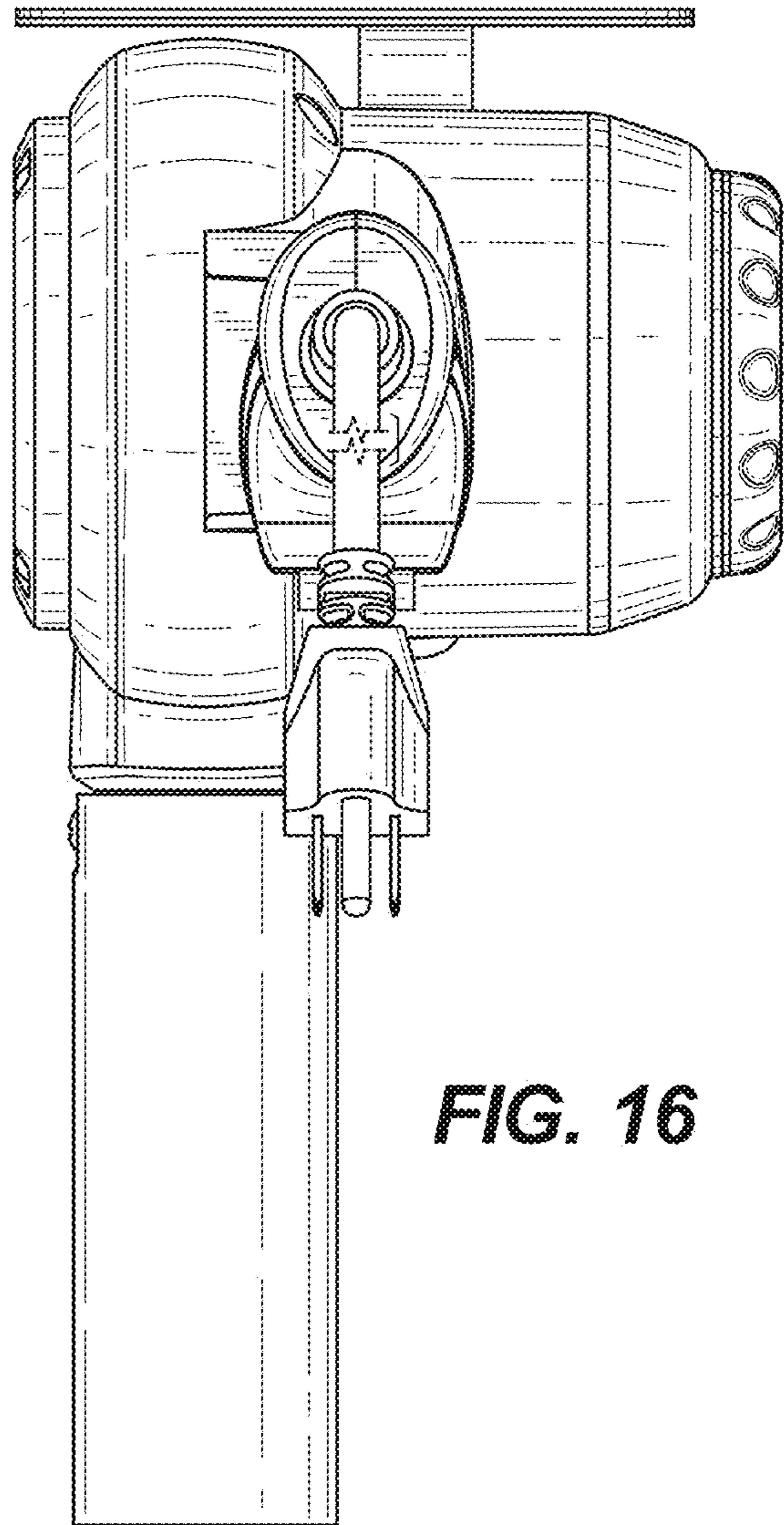


FIG. 16