



US00D893963S

(12) **United States Design Patent**
Tyson

(10) **Patent No.:** **US D893,963 S**

(45) **Date of Patent:** **** Aug. 25, 2020**

(54) **WRENCH**

(71) Applicant: **Claude Tyson**, Hillsborough, NC (US)

(72) Inventor: **Claude Tyson**, Hillsborough, NC (US)

(73) Assignee: **Claude Tyson**, Hillsborough, NC (US)

(**) Term: **15 Years**

(21) Appl. No.: **29/685,891**

(22) Filed: **Apr. 1, 2019**

(51) **LOC (12) Cl.** **08-05**

(52) **U.S. Cl.**

USPC **D8/21**; D8/23

(58) **Field of Classification Search**

USPC D8/395, 394, 396, 398, 399, 15-29,
D8/51-61, 70, 70.1, 72, 73, 74, 330, 331,
D8/333, 335, 349, 350, 352, 354, 355,
D8/356, 14, 44, 381-382, 383, 385, 387,
D8/388, 397; 81/99, 98

CPC F16B 19/1081; B42F 1/006; B42F 1/08;
B42F 9/001; B42F 1/02; B65D 41/56;
B25B 5/00; B25B 7/04; B25B 23/00;
B25B 7/123; B25B 13/50; B25B 13/08;
B25B 13/481; Y10T 74/2164; Y10T
24/203; B62M 3/00; B21D 1/10; B26B
13/16; B26B 13/28; B23D 29/23; B25J
1/00; B25J 1/04; B25J 15/00

See application file for complete search history.

(56) **References Cited**

U.S. PATENT DOCUMENTS

262,840 A * 8/1882 Simmons et al. B25B 13/28
81/99
800,850 A * 10/1905 Irland B25B 13/28
81/99
868,126 A * 10/1907 Richards B25B 13/28
81/99

(Continued)

FOREIGN PATENT DOCUMENTS

JP D1374465 * 2/2009
JP D1455645 * 5/2012

(Continued)

OTHER PUBLICATIONS

Aain, Aain (R) 1712191 2Pcs Multi-Purpose Universal Portable Adjustable Quick Snap 'N Grip 0.4-1.5", Date first available Jul. 8, 2018, [online]retrieved May 14, 2020, available from internet, www.amazon.com (Year: 2018).*

(Continued)

Primary Examiner — Keli L Hill

Assistant Examiner — Sara S Sahneh

(74) *Attorney, Agent, or Firm* — OliveLawGroup, PLLC

(57) **CLAIM**

The ornamental design for a wrench, as shown and described.

DESCRIPTION

FIG. 1 is a top perspective view showing our new design of a wrench;

FIG. 2 is a top view thereof;

FIG. 3 is a head on view thereof;

FIG. 4 is a side view thereof;

FIG. 5 is a side view that opposes the side view of FIG. 4 thereof;

FIG. 6 is a top perspective view of an alternative embodiment thereof;

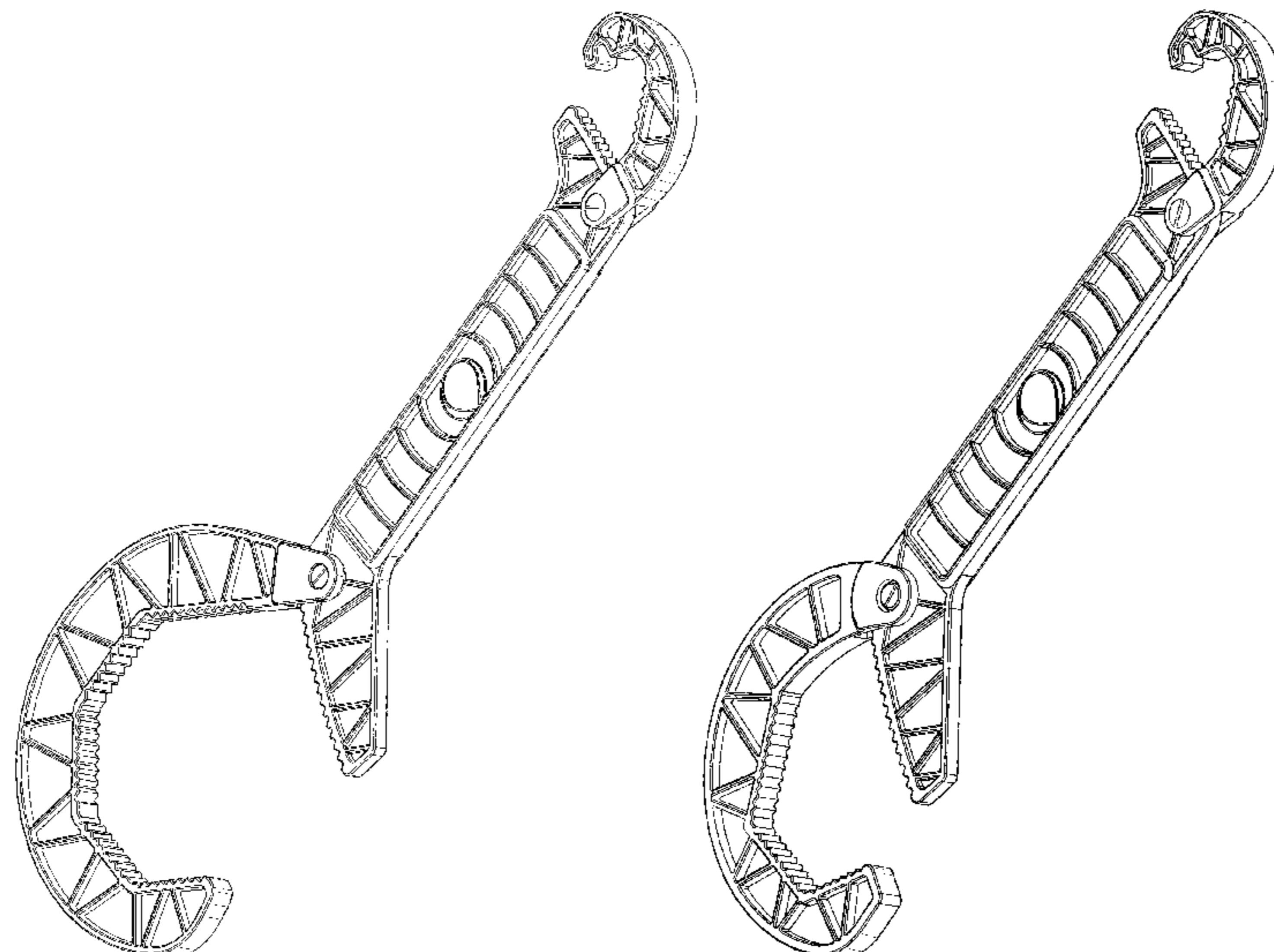
FIG. 7 is a top view of the alternative embodiment of FIG. 6 thereof;

FIG. 8 is a head on view of the alternative embodiment of FIG. 6 thereof;

FIG. 9 is a side view of the alternative embodiment of FIG. 6 thereof; and,

FIG. 10 is a side view of the alternative embodiment of FIG. 6 that opposes the side view of FIG. 9 thereof.

1 Claim, 4 Drawing Sheets



(56)

References Cited

U.S. PATENT DOCUMENTS

1,362,867	A *	12/1920	Humphrey	B25B 13/28
				81/99
1,885,616	A *	11/1932	Mead	B25B 13/505
				81/99
2,028,406	A *	1/1936	Mead	B25B 13/28
				81/98
2,684,607	A *	7/1954	Lundell	B25B 13/505
				81/99
5,251,518	A *	10/1993	Woo	B25B 13/28
				81/58
D362,603	S *	9/1995	Woo	D8/23
D564,316	S *	3/2008	Elkaim	F41A 35/00
				D22/199
D676,727	S *	2/2013	Martin	D8/23
9,969,062	B2 *	5/2018	Huang	B25B 13/28

FOREIGN PATENT DOCUMENTS

JP	D1526248	*	8/2014
JP	D1655923	*	8/2019

OTHER PUBLICATIONS

Laoa, Laoa Industrial Rapid Cr-V Pipe Wrenches, Ratching Forceps
 Tongs Industrial Heavy Duty 14 inch, Date first available Mar. 8, 2017, [online]retrieved May 20, 2020, available from internet, www.amazon.com (Year: 2017).*

Rur-Mel, Universal Multi-function Wrench Spanner Set ,Grip 6-32mm Adjustable Quick Multi-function, Date first available Aug. 19, 2017, [online]retrieved May 26, 2020, available from internet, www.amazon.com (Year: 2017).*

KKmoon, Adjustable Spanners, Pipe Wrench, Adapt to Water Pipes, Bolts and Nuts with Self Locking Function, 2pcs/set 14-30mm/30-60mm, Date first available Sep. 6, 2017, [online]retrieved May 14, 2020, available from internet, www.amazon.com (Year: 2017).*

* cited by examiner

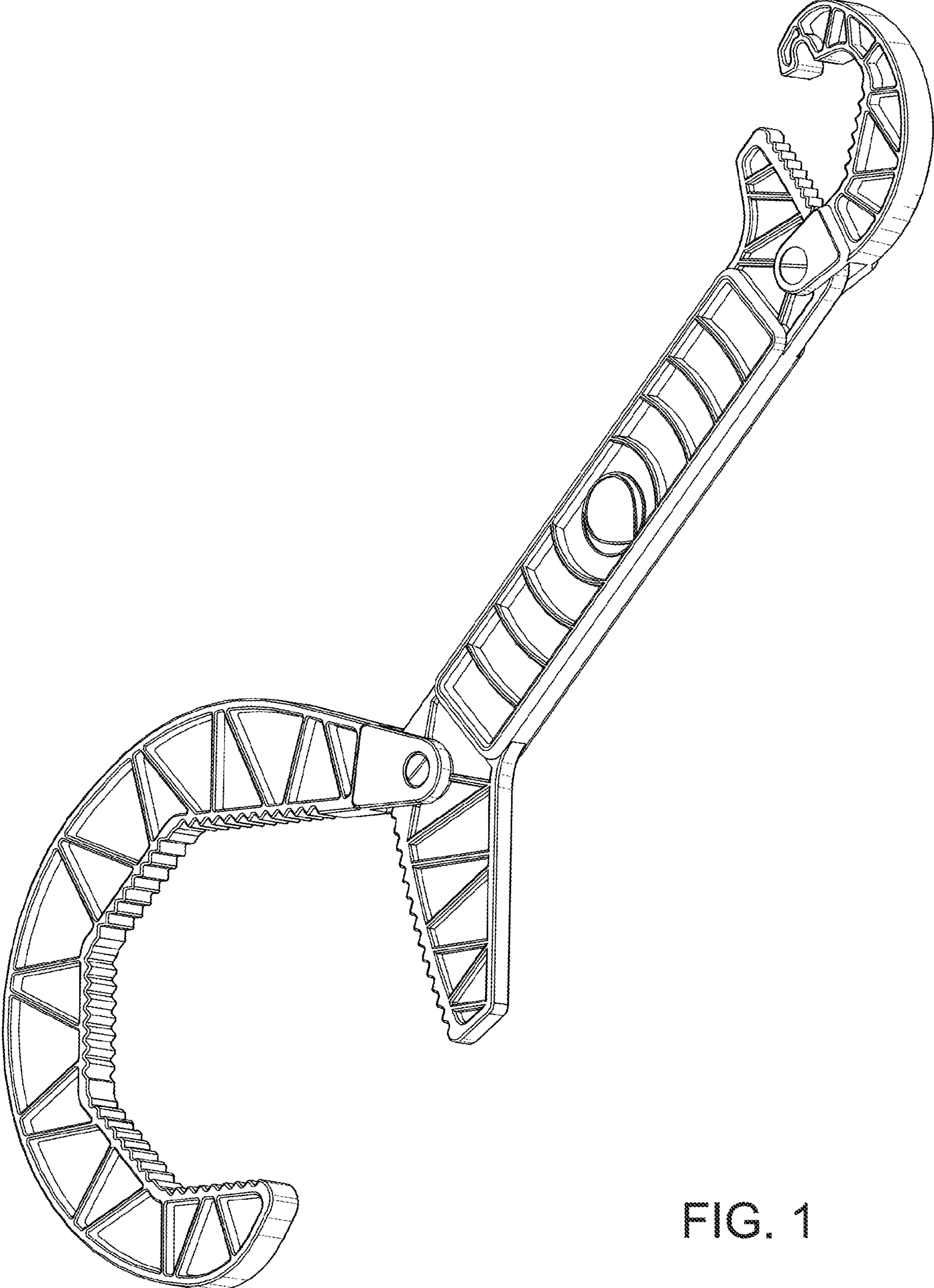


FIG. 1

FIG.3

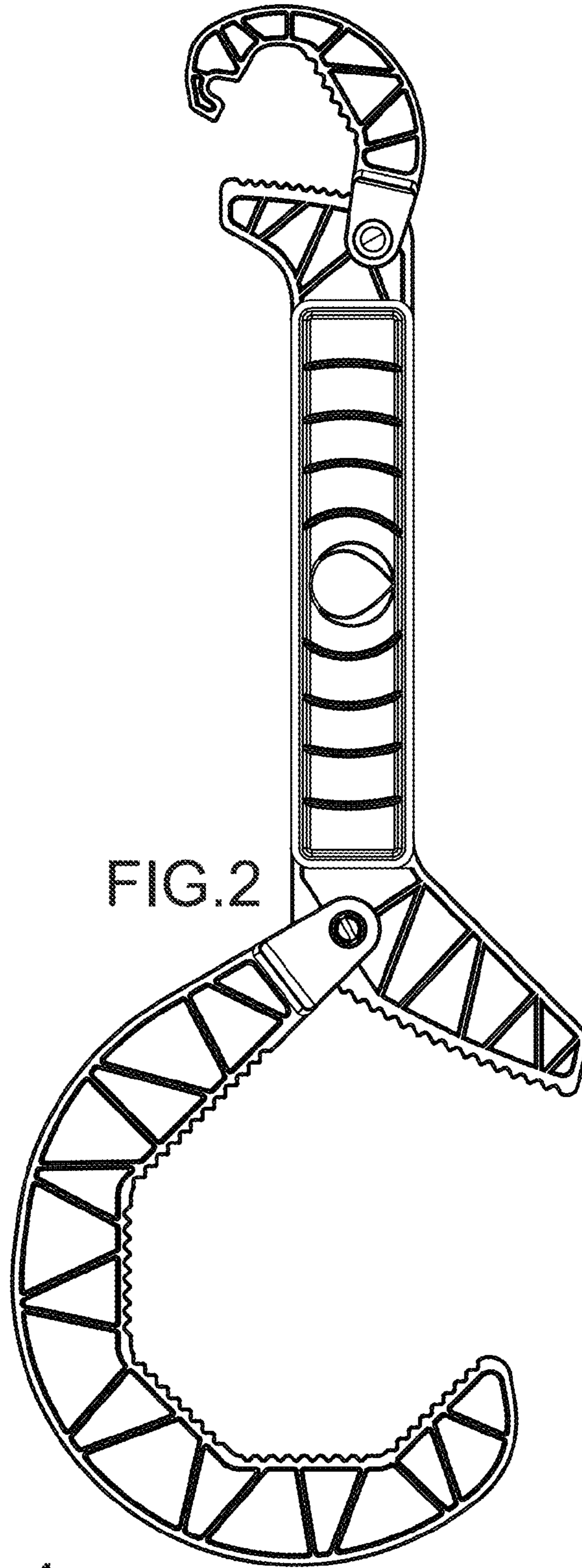
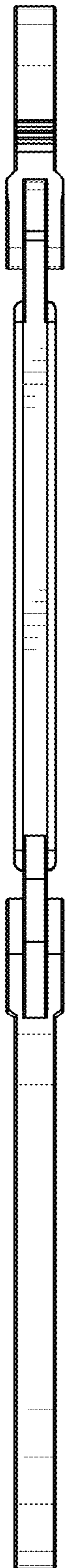


FIG.2

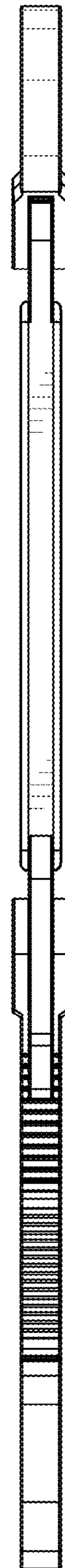


FIG.4

FIG.5

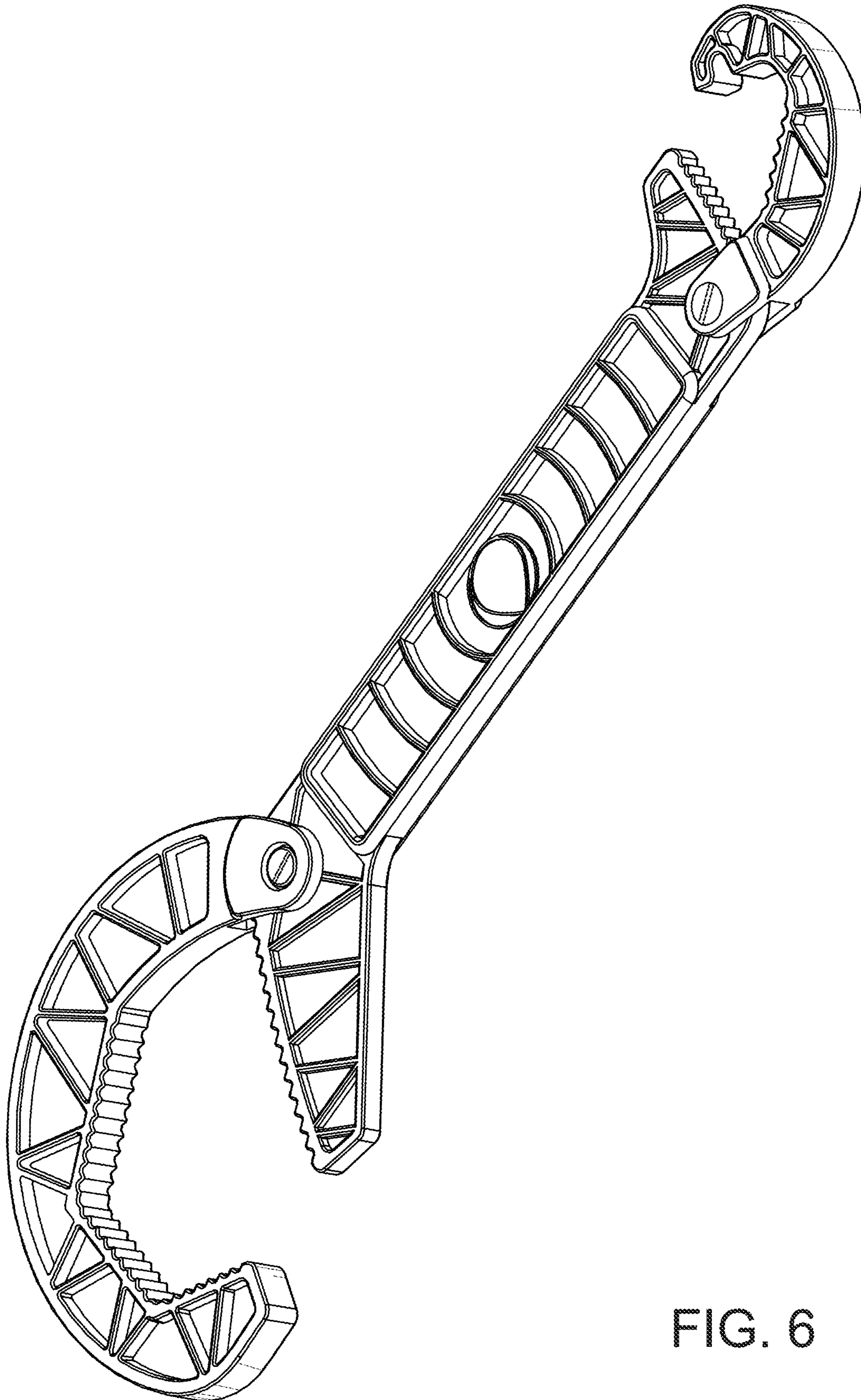


FIG. 6

FIG.8

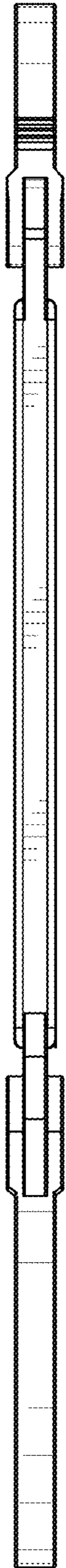
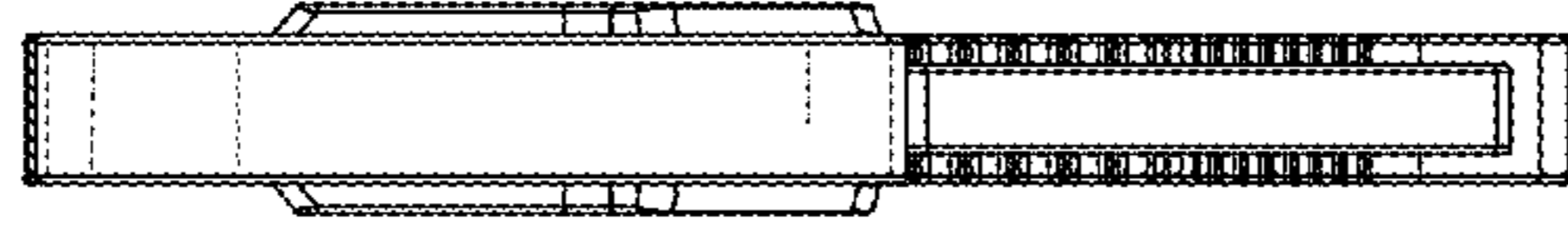


FIG.7

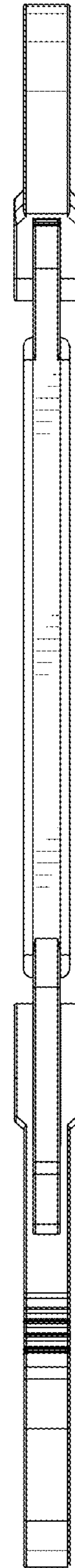
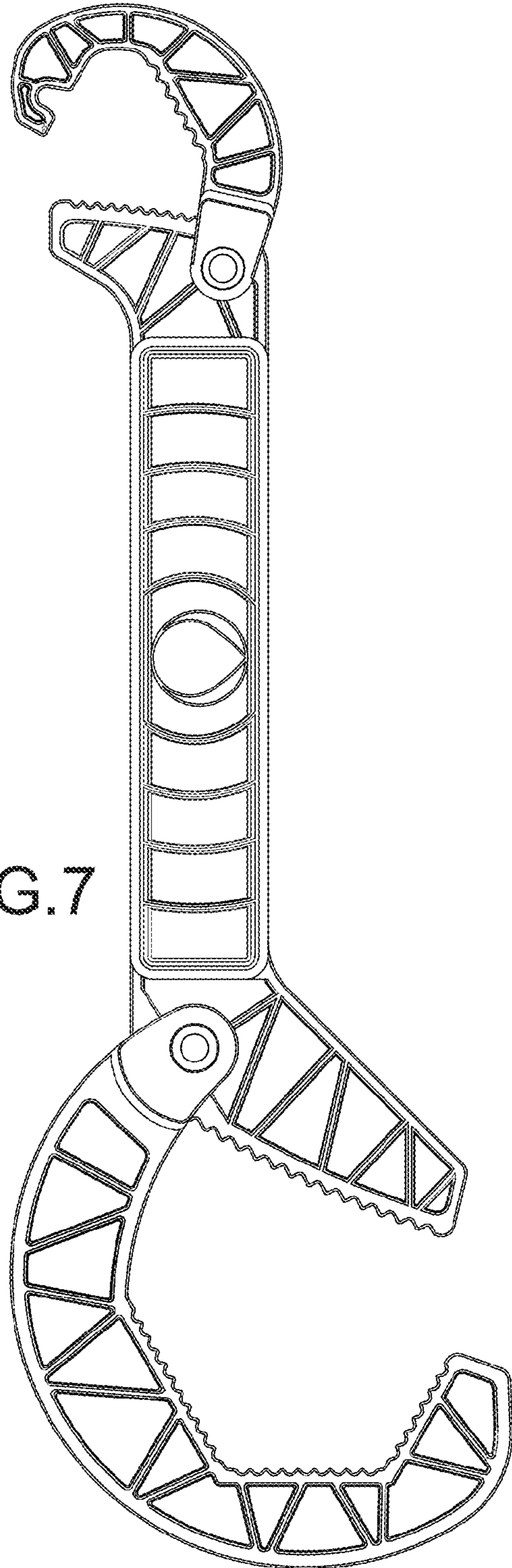


FIG.9

FIG.10