



US00D893961S

(12) **United States Design Patent**
Brouillac

(10) **Patent No.:** **US D893,961 S**

(45) **Date of Patent:** **** Aug. 25, 2020**

(54) **SPICE MILL**

(71) Applicant: **PEUGEOT SAVEURS**, Quingey (FR)

(72) Inventor: **Nicolas Brouillac**, Saint Vit (FR)

(73) Assignee: **PEUGEOT SAVEURS**, Quingey (FR)

(**) Term: **15 Years**

(21) Appl. No.: **35/506,108**

(22) Filed: **Jul. 26, 2018**

(80) **Hague Agreement Data**

Int. Filing Date: **Jul. 26, 2018**

Int. Reg. No.: **DM/103786**

Int. Reg. Date: **Jul. 26, 2018**

Int. Reg. Pub. Date: **Nov. 30, 2018**

(51) **LOC (12) Cl.** **07-04**

(52) **U.S. Cl.**
USPC **D7/679**

(58) **Field of Classification Search**
USPC D12/679, 590-597, 372, 373
CPC ... A21C 1/04; A47J 42/34; A47J 42/00; A47J
42/04; A47J 42/14; A47J 42/18; A47J
42/24; A47J 42/42; A47J 42/46; A47J
42/06; A47J 42/08; A47J 42/40; A47J
43/04; A47J 43/044; A47J 43/0722; A47J
43/06; A47J 43/25; A47J 43/255; A24C
5/40; B02C 18/08; B02C 18/24; B02C
18/16

See application file for complete search history.

(56) **References Cited**

U.S. PATENT DOCUMENTS

D309,698 S * 8/1990 Bounds D7/679
D318,987 S * 8/1991 Kokkinos D7/679

D336,410 S * 6/1993 Ancona D7/591
D336,598 S * 6/1993 Ancona D7/679
D338,598 S * 8/1993 Ancona D7/591
D344,214 S * 2/1994 Jorgensen D7/679
D344,215 S * 2/1994 Jorgensen D7/679
D345,286 S * 3/1994 Jorgensen D7/679
D359,661 S * 6/1995 Joergensen D7/679
D390,427 S * 2/1998 Bounds D7/679
D397,919 S * 9/1998 Chiu D7/679
D409,455 S * 5/1999 Fabry D7/679
D424,889 S * 5/2000 Yip D7/679
D431,426 S * 10/2000 Yip D7/679
D461,376 S * 8/2002 Bodum D7/679
7,293,728 B2 * 11/2007 Chan A47J 42/06
241/169
D756,175 S * 5/2016 Laskowski D7/679
9,693,657 B2 * 7/2017 Naden A47J 42/46
D830,138 S * 10/2018 Zhang D7/679

* cited by examiner

Primary Examiner — Darlington Ly

(74) *Attorney, Agent, or Firm* — Craft Chu PLLC;
Andrew W. Chu

(57) **CLAIM**

The ornamental design for a spice mill, as shown and described.

DESCRIPTION

1. Spice mill

1.1 is a top perspective view of a spice mill showing my new design;

1.2 is a front elevation view thereof;

1.3 is a rear elevation view thereof;

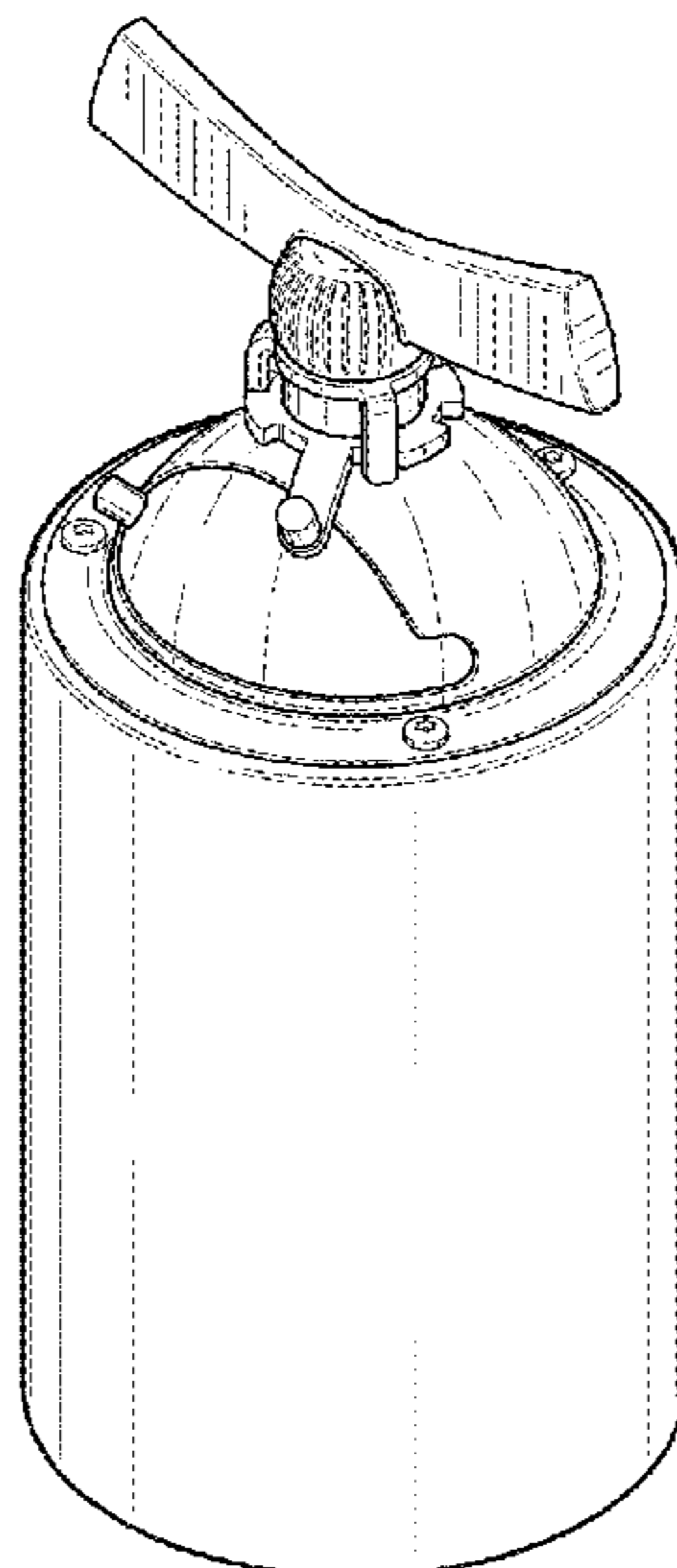
1.4 is a side elevation view thereof;

1.5 is a top plan view thereof; and

1.6 is a bottom plan view thereof, showing portions in broken lines.

The broken lines in the drawings illustrate portions of the spice mill that form no part of the claimed design.

1 Claim, 2 Drawing Sheets



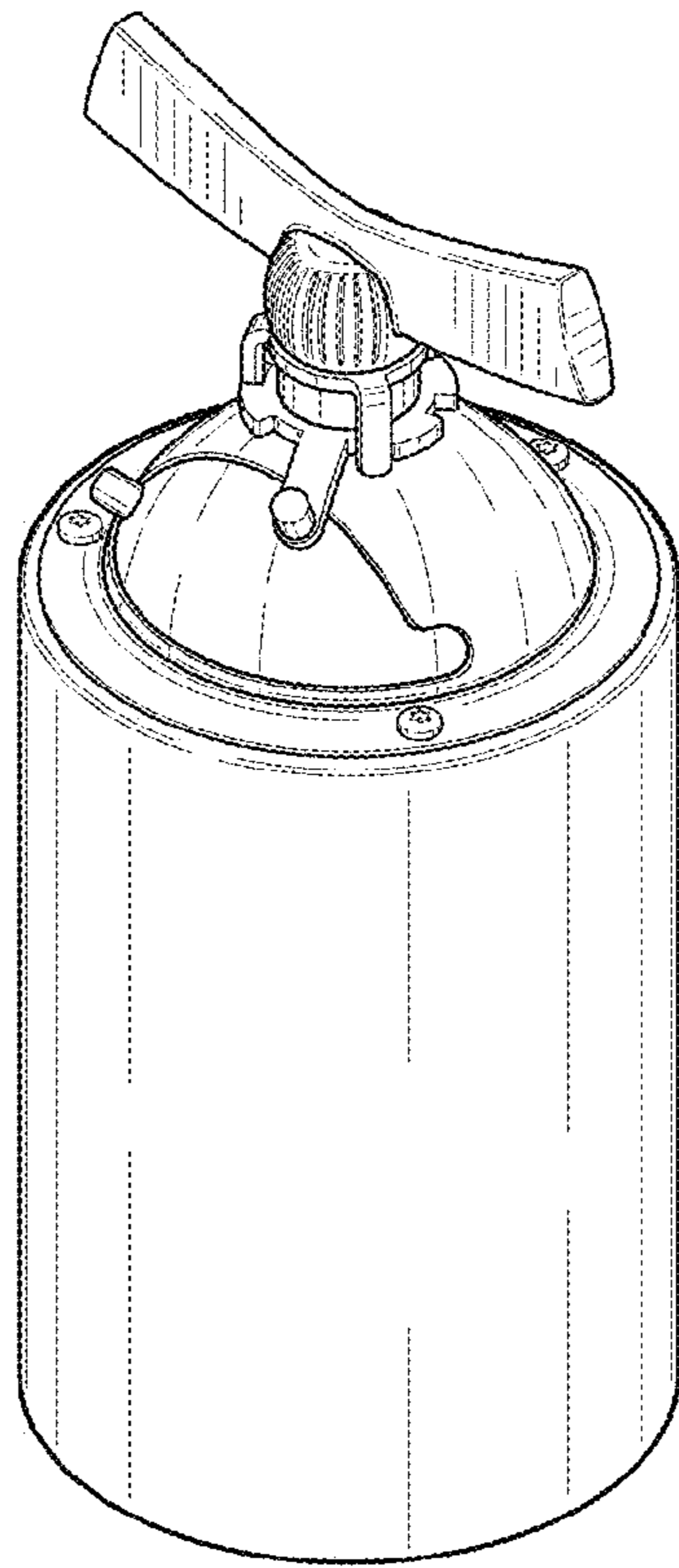


FIG. 1.1

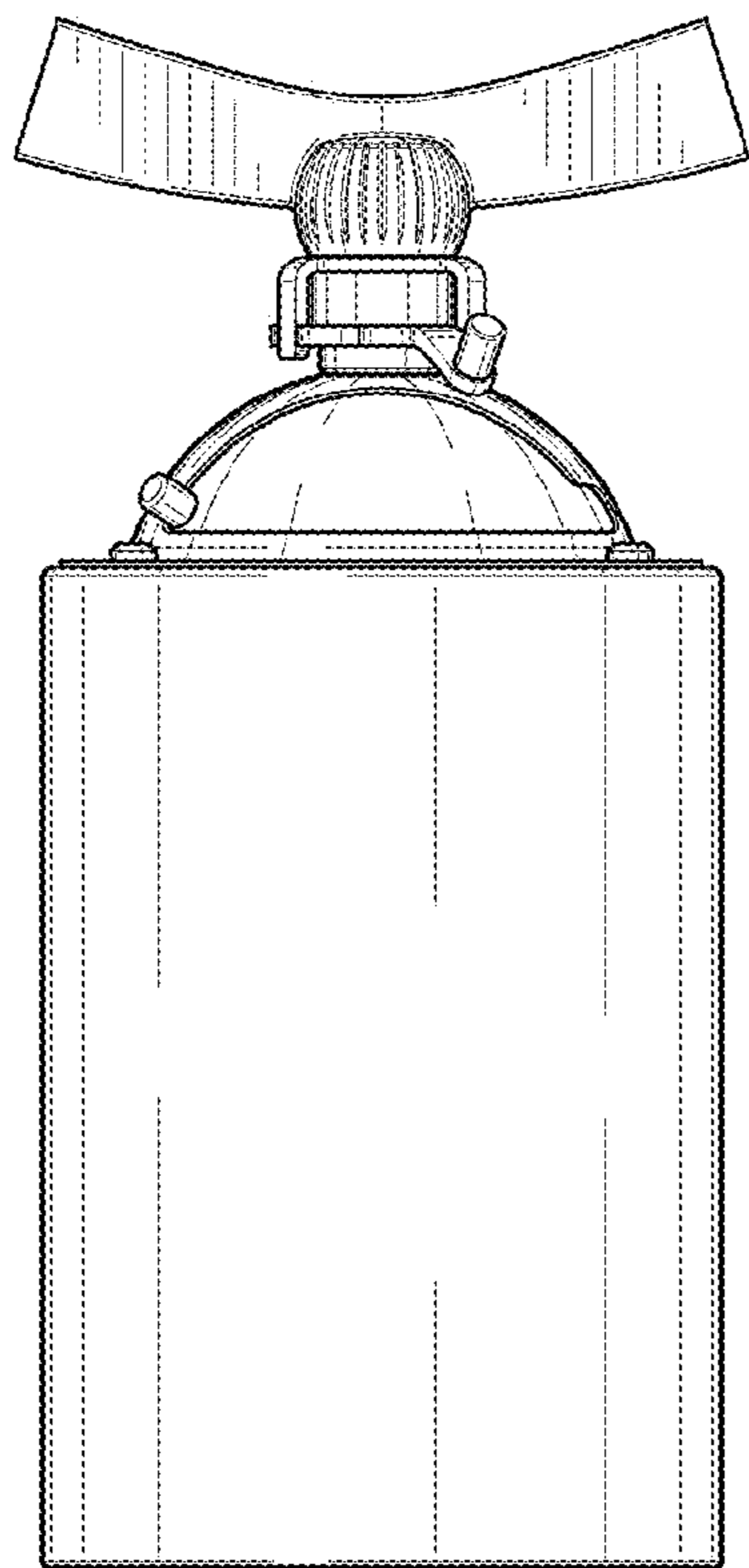


FIG. 1.2

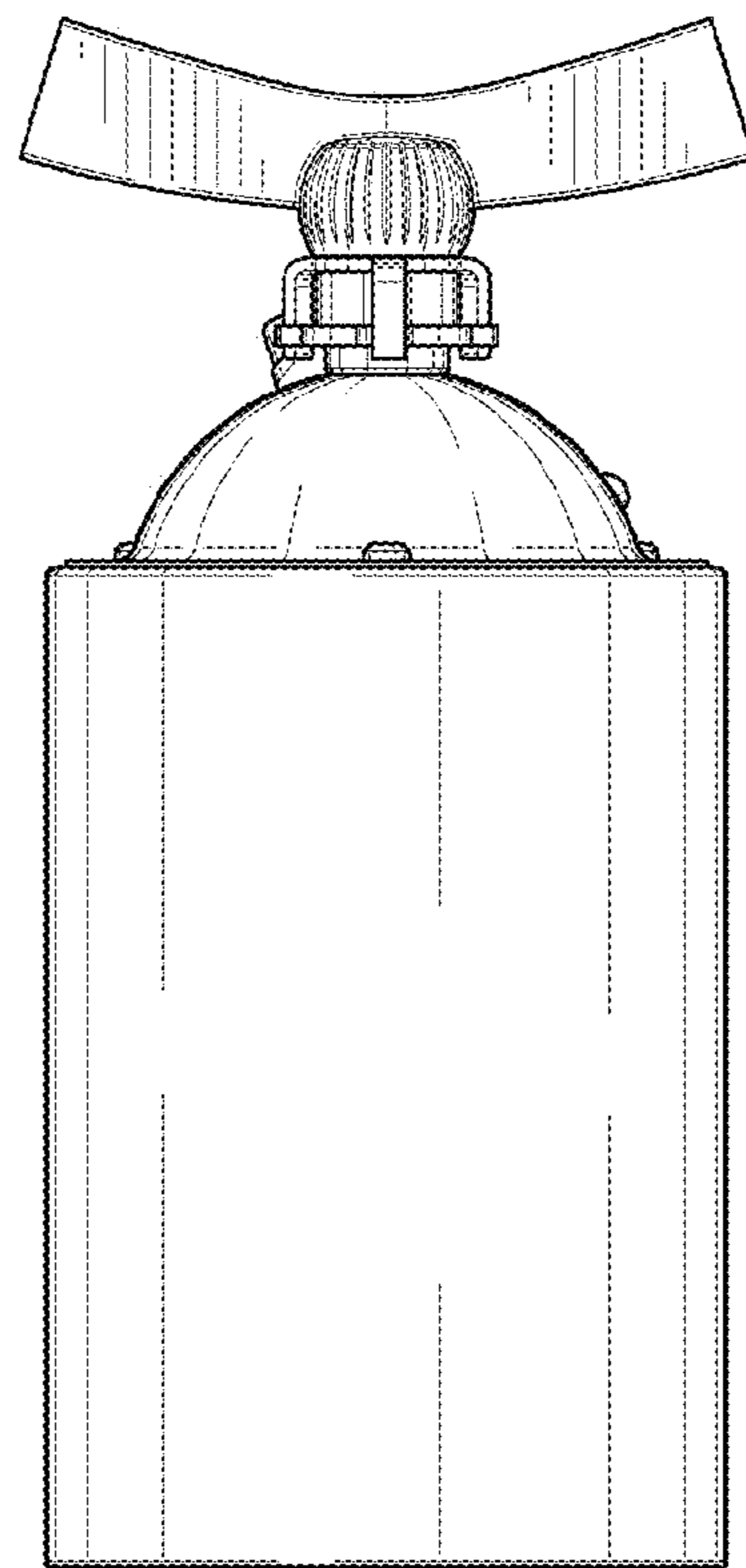


FIG. 1.3

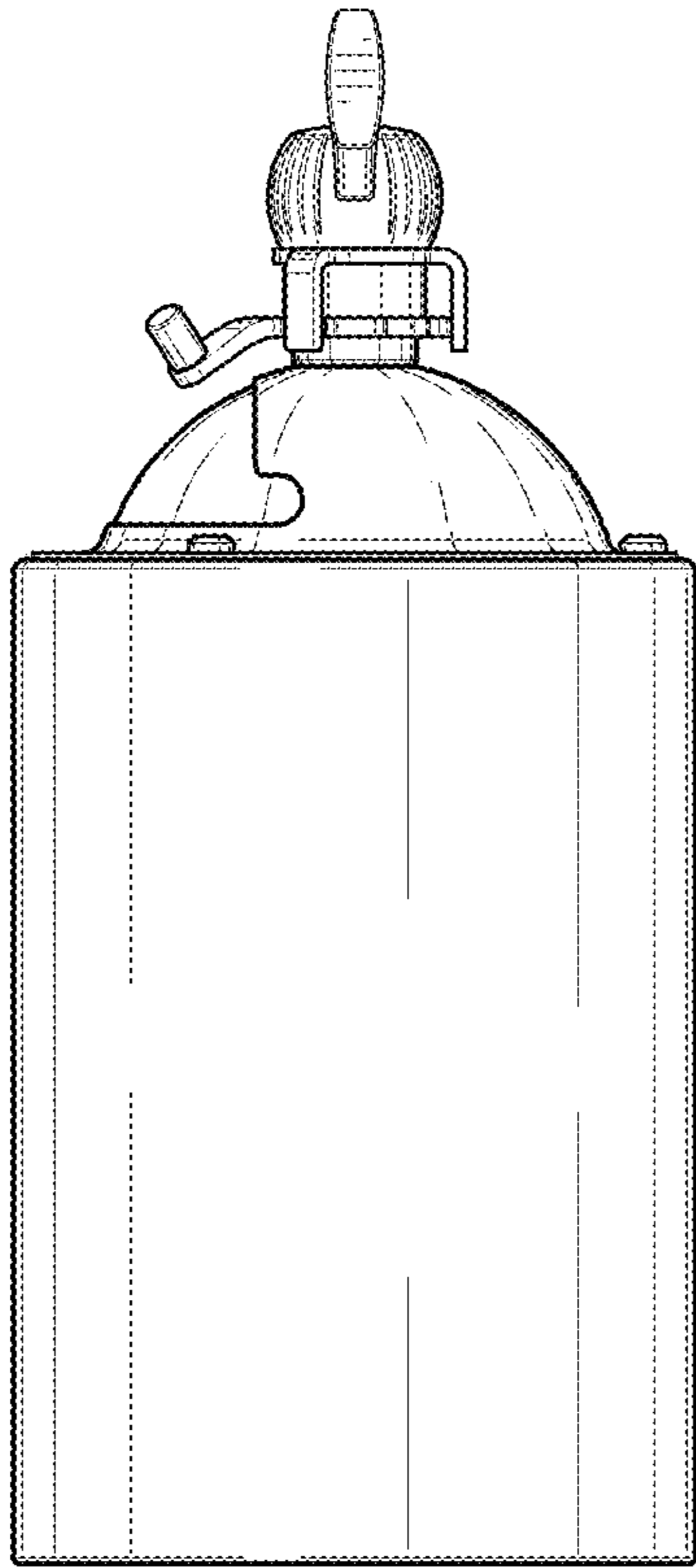


FIG. 1.4

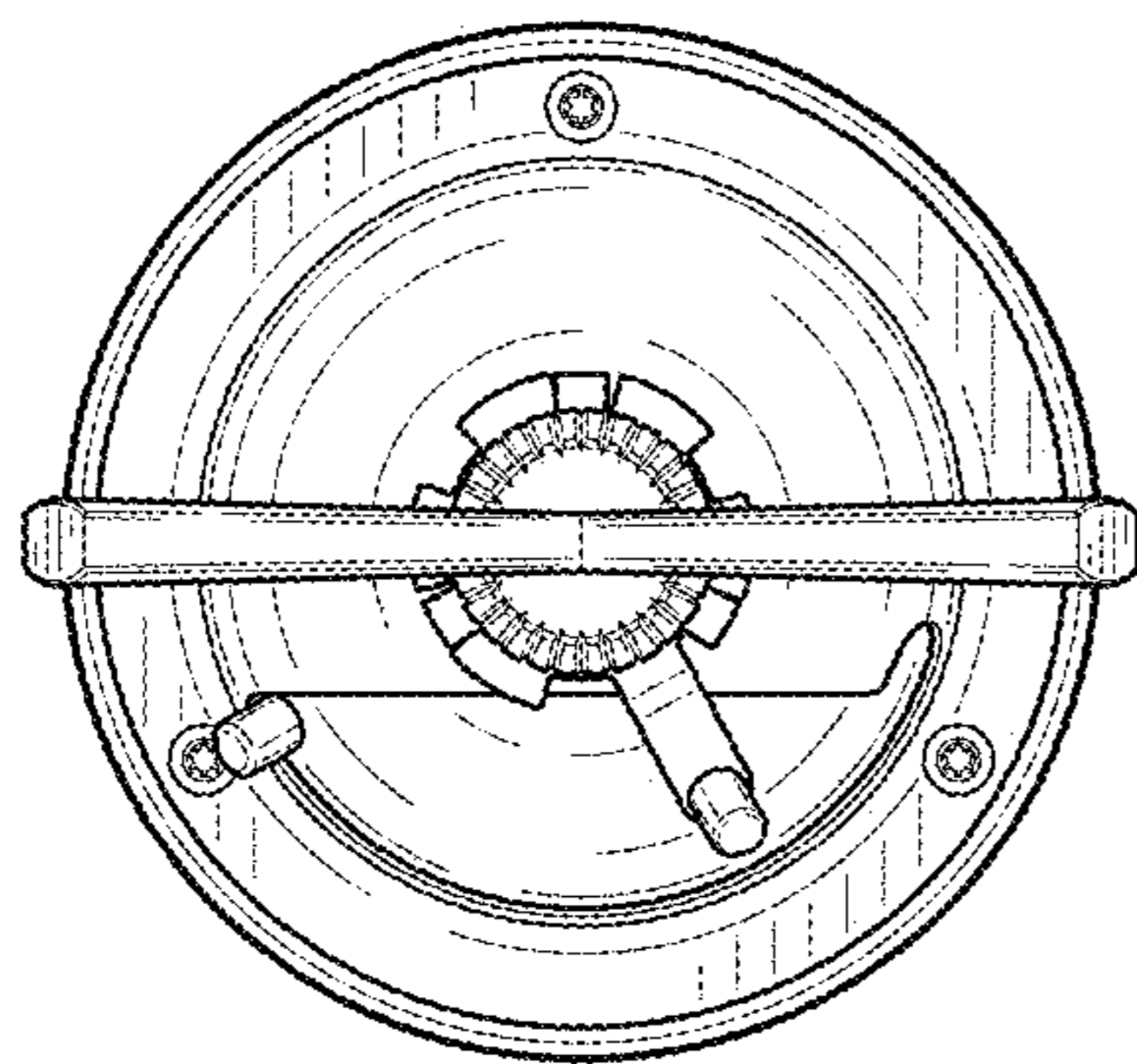


FIG. 1.5

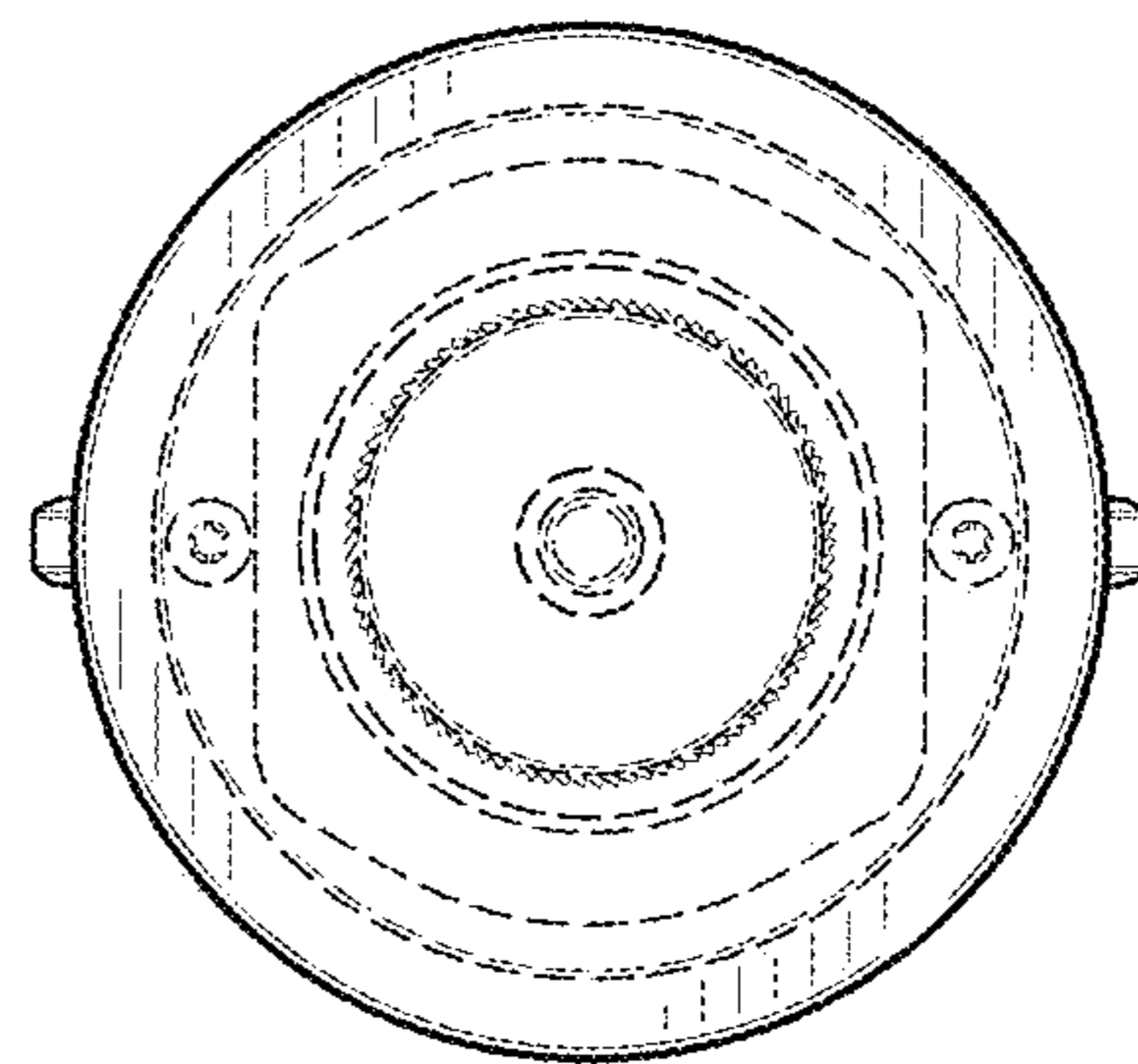


FIG. 1.6