



US00D893959S

(12) **United States Design Patent**  
**Lane et al.**

(10) **Patent No.:** **US D893,959 S**  
(45) **Date of Patent:** **\*\* Aug. 25, 2020**

(54) **FOOD JAR**

(71) Applicants: **Marvin Lane**, Wheeling, IL (US);  
**Dwayne Boroski**, Lake in the Hills, IL (US);  
**Freddy Aranda**, Chicago, IL (US);  
**Jennifer Bae Park**, Chicago, IL (US)

(72) Inventors: **Marvin Lane**, Wheeling, IL (US);  
**Dwayne Boroski**, Lake in the Hills, IL (US);  
**Freddy Aranda**, Chicago, IL (US);  
**Jennifer Bae Park**, Chicago, IL (US)

(73) Assignee: **Thermos L.L.C.**, Schaumburg, IL (US)

(\*\*) Term: **15 Years**

(21) Appl. No.: **29/643,597**

(22) Filed: **Apr. 10, 2018**

(51) **LOC (12) Cl.** ..... **09-07**

(52) **U.S. Cl.**  
USPC ..... **D7/629**; D7/602; D7/630

(58) **Field of Classification Search**  
USPC ..... D7/509–511, 538, 601, 602, 619.1, 629;  
D9/516, 523, 434, 447, 549, 455  
(Continued)

(56) **References Cited**

U.S. PATENT DOCUMENTS

D472,107 S \* 3/2003 Short ..... D7/608  
D474,377 S 5/2003 Holsinger  
(Continued)

*Primary Examiner* — Susan E Krakower

*Assistant Examiner* — Andrew Kerr

(74) *Attorney, Agent, or Firm* — Polsinelli PC

(57) **CLAIM**

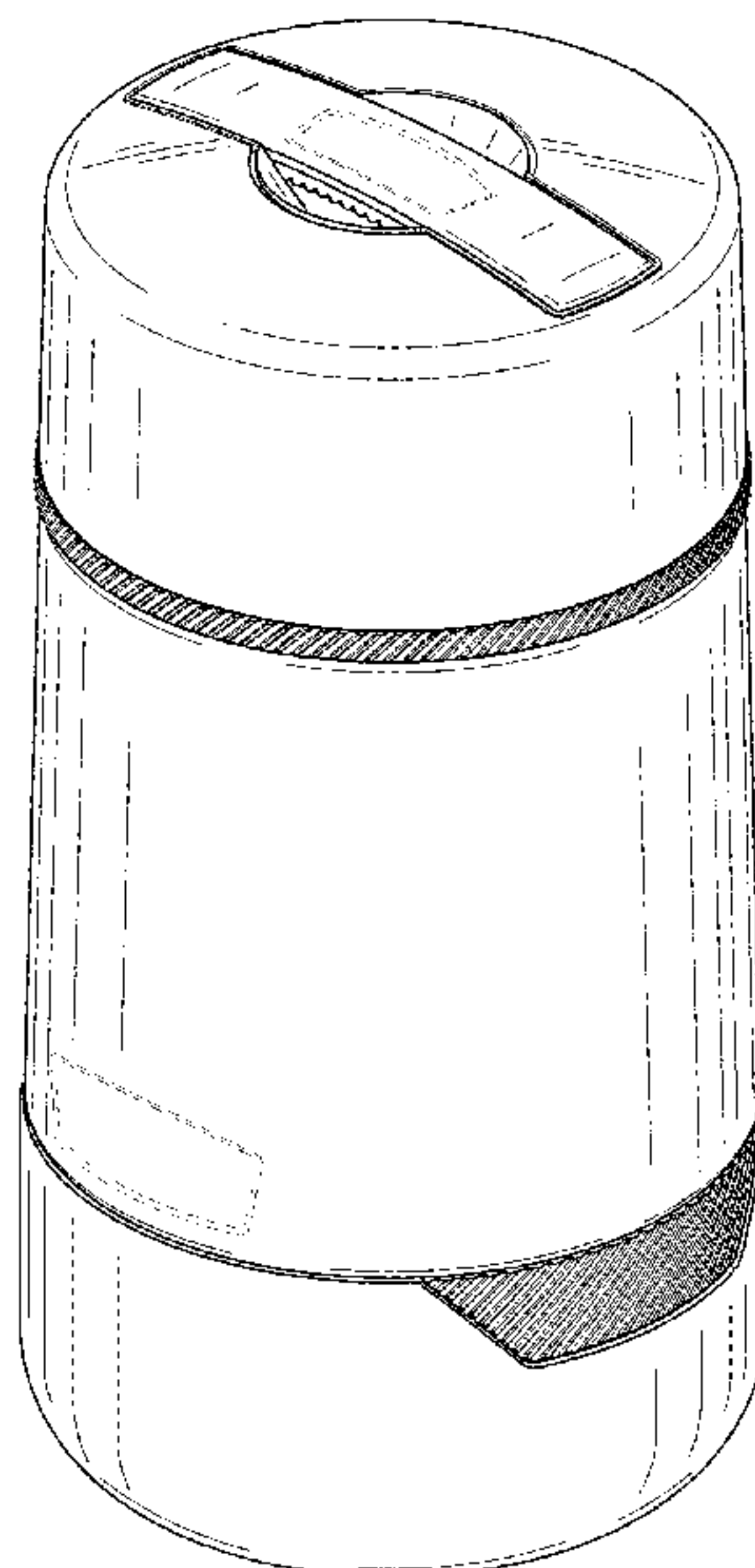
The ornamental design for a food jar, as shown and described.

**DESCRIPTION**

FIG. 1 is a perspective view of a first embodiment of a food jar, showing our new design;  
FIG. 2 is a lower perspective view of the first embodiment of the food jar;  
FIG. 3 is a front view of the first embodiment of the food jar;  
FIG. 4 is a right side view of the first embodiment of the food jar;  
FIG. 5 is a rear view of the first embodiment of the food jar;  
FIG. 6 is a left side view of the first embodiment of the food jar;  
FIG. 7 is a top view of the first embodiment of the food jar;  
FIG. 8 is a bottom view of the first embodiment of the food jar;  
FIG. 9 is a perspective view of a second embodiment of a food jar, showing our new design;  
FIG. 10 is a lower perspective view of the second embodiment of the food jar;  
FIG. 11 is a front view of the second embodiment of the food jar;  
FIG. 12 is a right side view of the second embodiment of the food jar;  
FIG. 13 is a rear view of the second embodiment of the food jar;  
FIG. 14 is a left side view of the second embodiment of the food jar;  
FIG. 15 is a top view of the second embodiment of the food jar; and,  
FIG. 16 is a bottom view of the second embodiment of the food jar.

The broken lines showing in the figures are included for the purpose of illustrating portions of the food jar that form no part of the claimed design. The dash-dot lines showing in the figures are included for defining the bounds of the claimed design that form no part thereof. The food jar is shown with a symbolic break in its length. The appearance of any portion of the article between the breakaway lines forms no part of the claimed design.

**1 Claim, 14 Drawing Sheets**



(58) **Field of Classification Search**

CPC ..... A47G 19/2266; A47G 19/2272; A47G  
19/22; B65D 25/40; B65D 25/42; B65D  
41/04; B65D 41/0485

See application file for complete search history.

(56) **References Cited**

U.S. PATENT DOCUMENTS

D557,076	S	*	12/2007	Wahl	.....	D7/615
D587,534	S		3/2009	Carreno		
D593,372	S		6/2009	Carreno		
D593,811	S	*	6/2009	Carreno	.....	D7/608
D622,554	S		8/2010	Carreno		
D629,657	S		12/2010	Carreno		
D636,683	S	*	4/2011	Floyd	.....	D9/688
D679,959	S		4/2013	Lane		
D682,625	S	*	5/2013	Lane	.....	D7/629
D682,626	S		5/2013	Lane		
D685,231	S		7/2013	Lane		
D741,115	S		10/2015	Lane et al.		
D782,880	S	*	4/2017	Matsuo	.....	D7/605
D784,093	S		4/2017	Boroski et al.		
D808,731	S	*	1/2018	Boroski	.....	D7/608
D843,789	S	*	3/2019	Boroski	.....	D7/608
D849,482	S	*	5/2019	Diener	.....	D7/510

\* cited by examiner

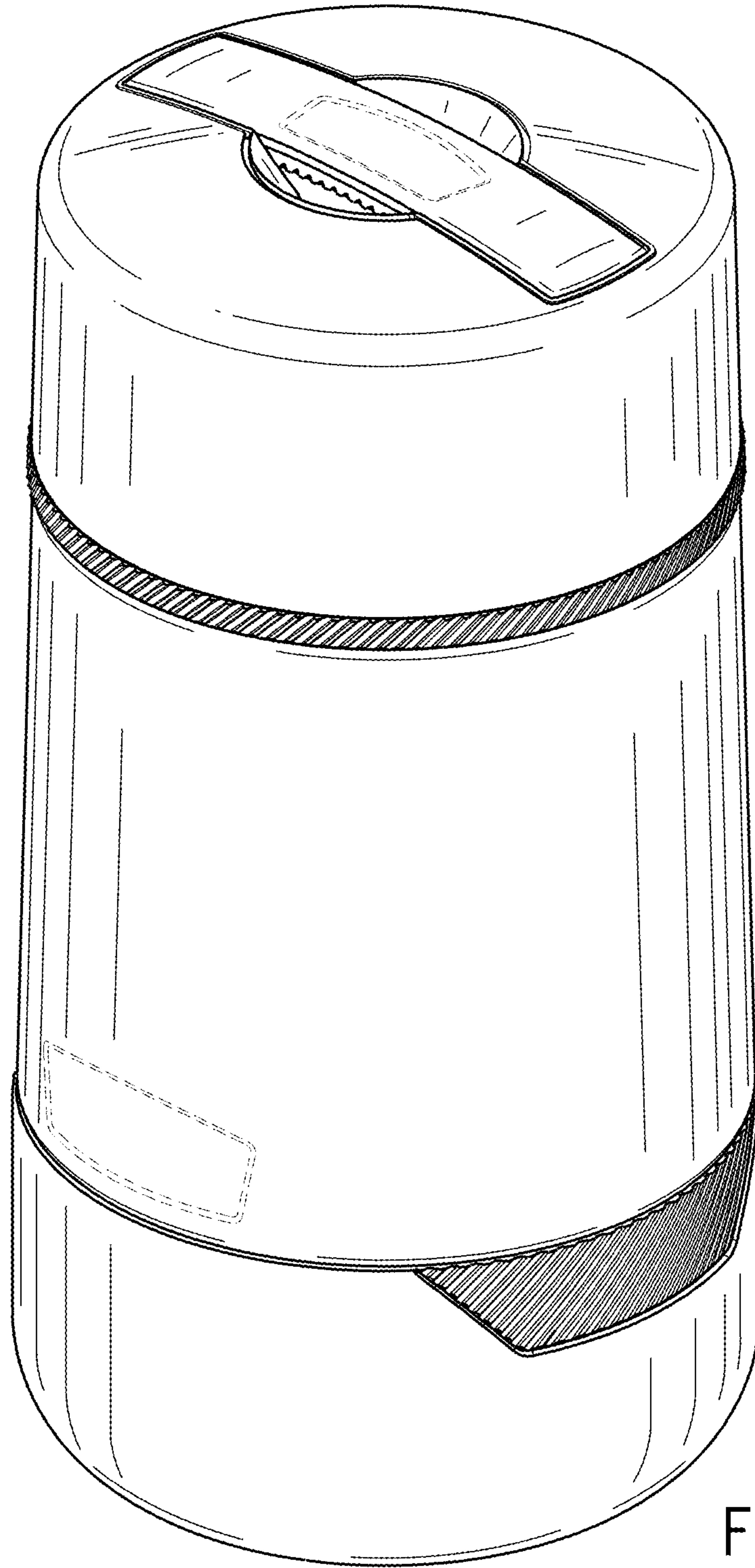


FIG. 1

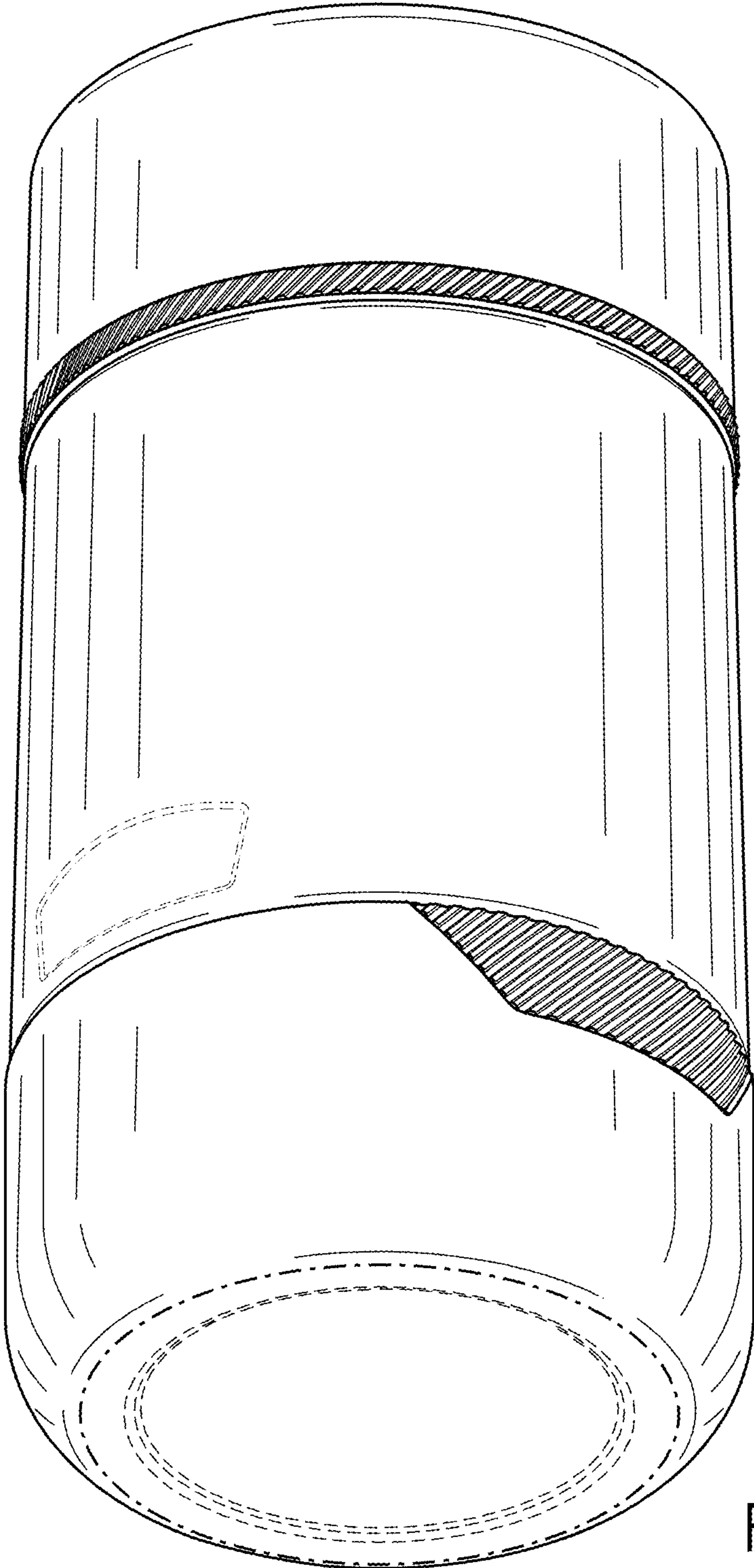


FIG. 2



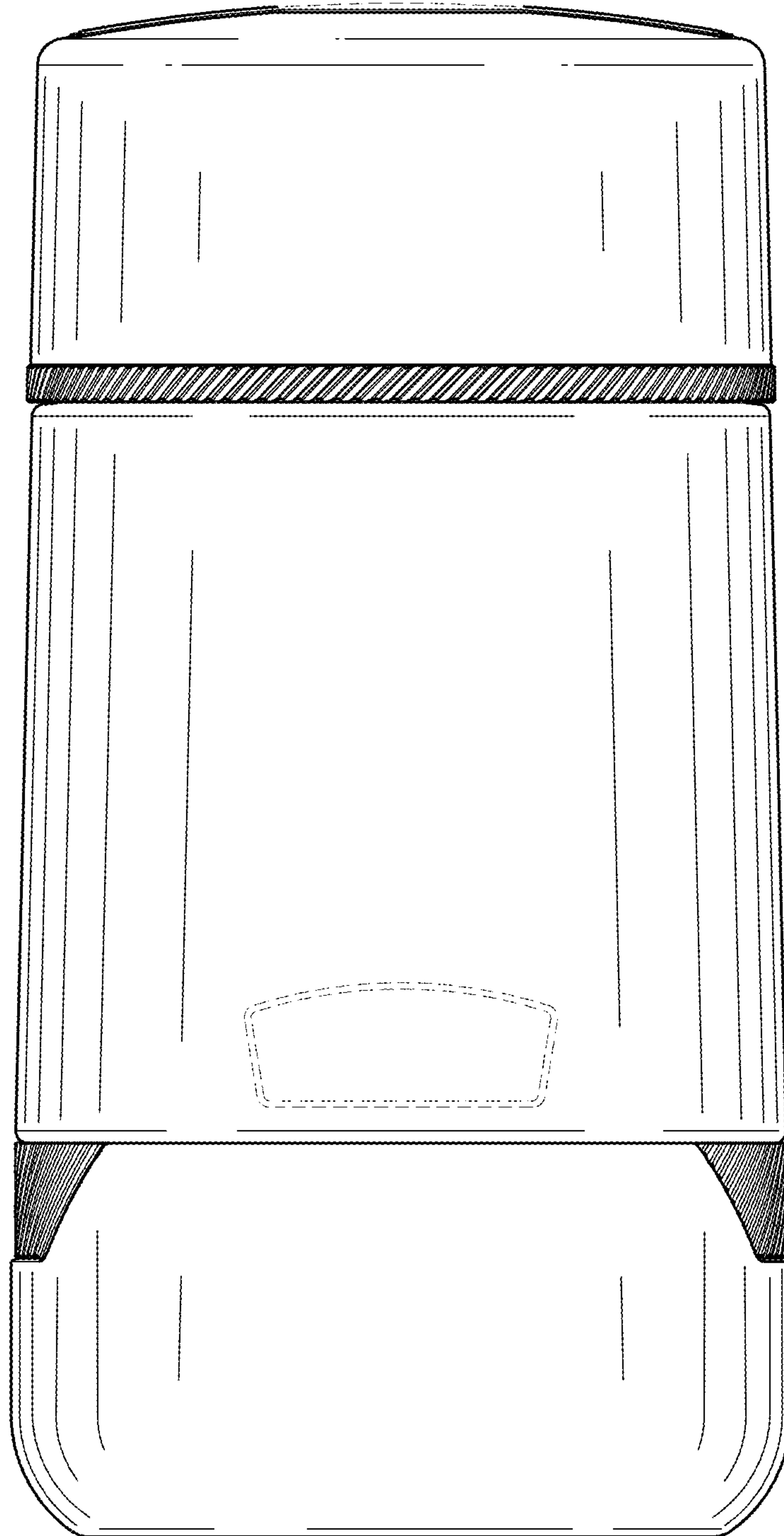


FIG. 3

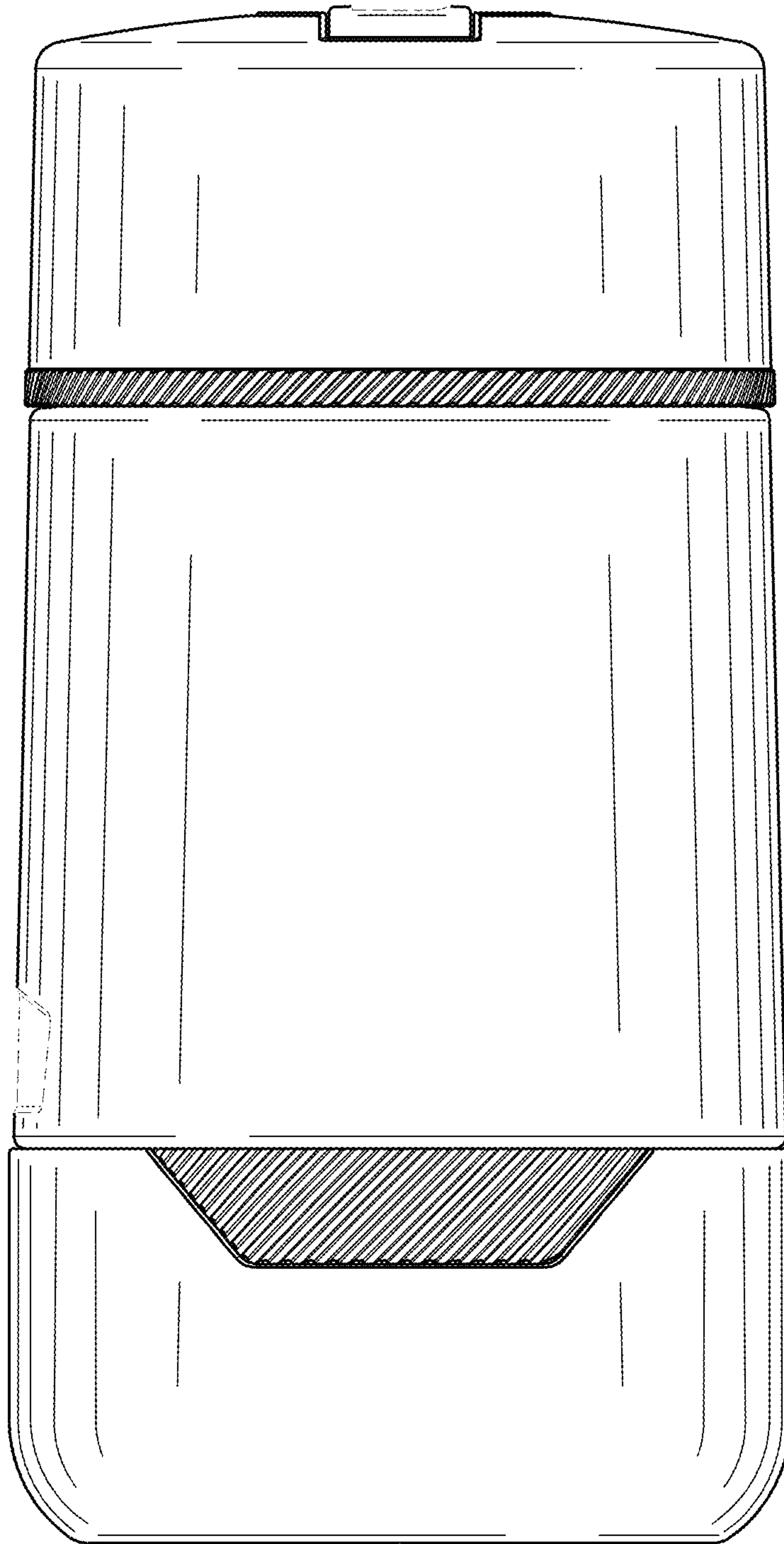


FIG. 4

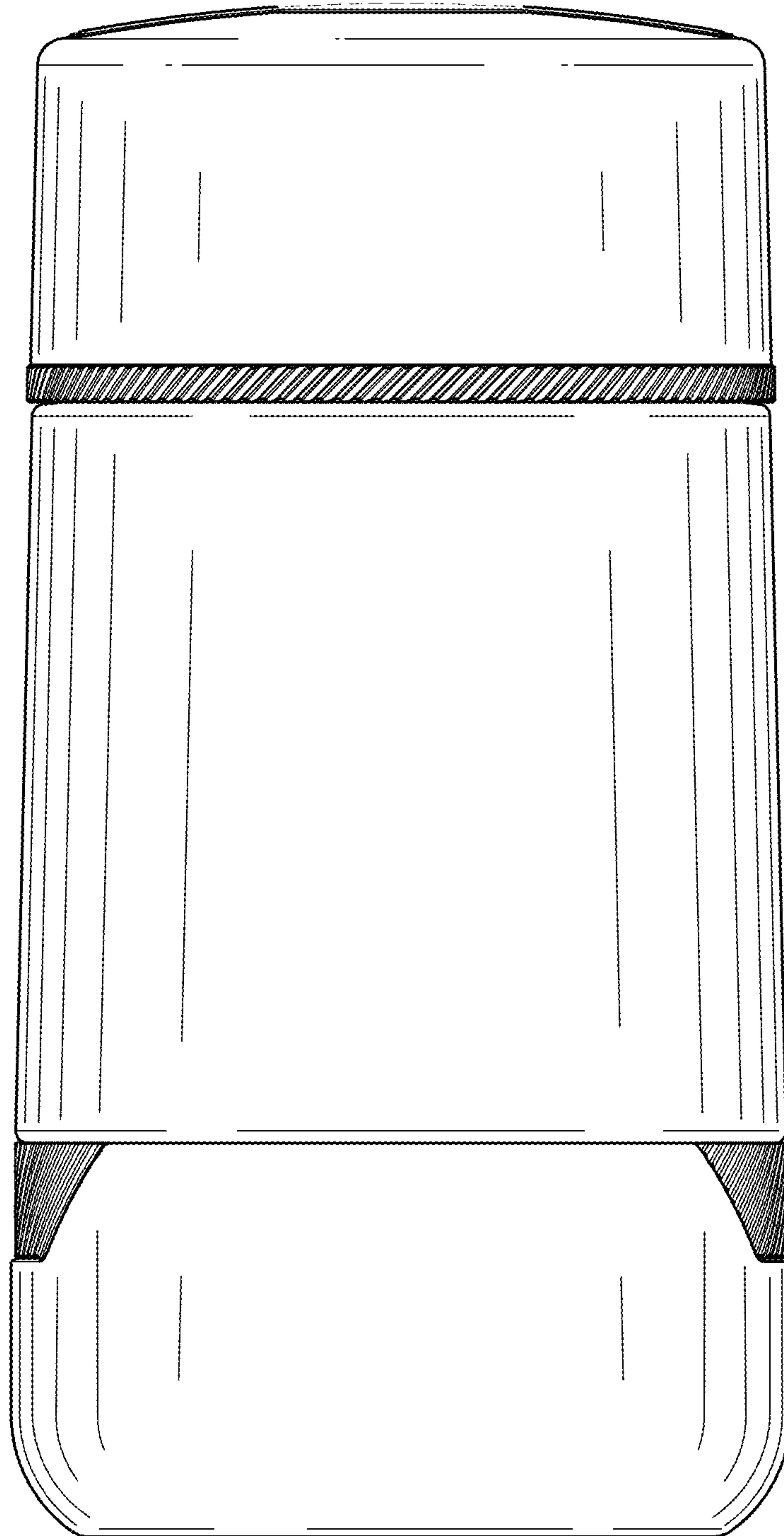


FIG. 5

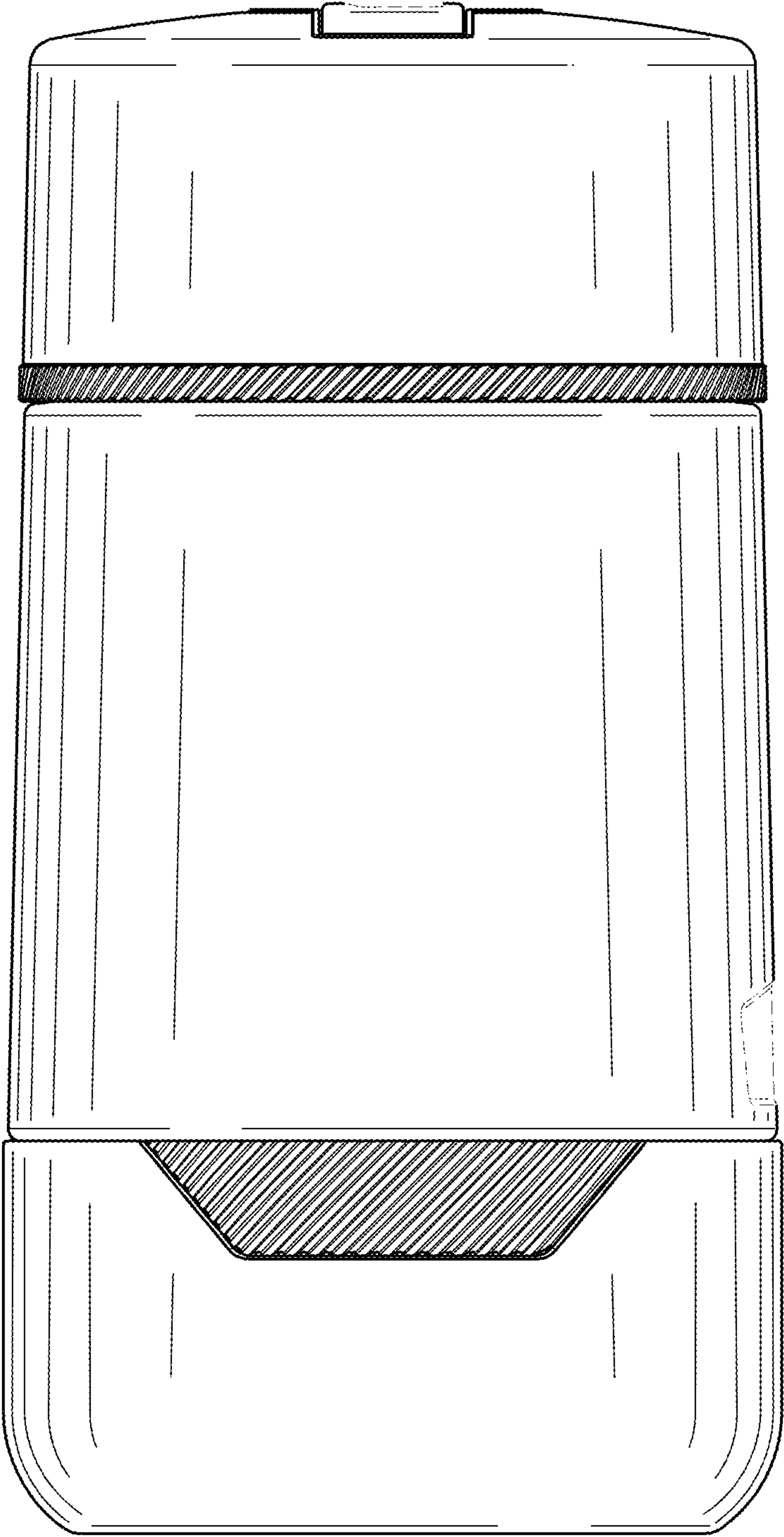


FIG. 6



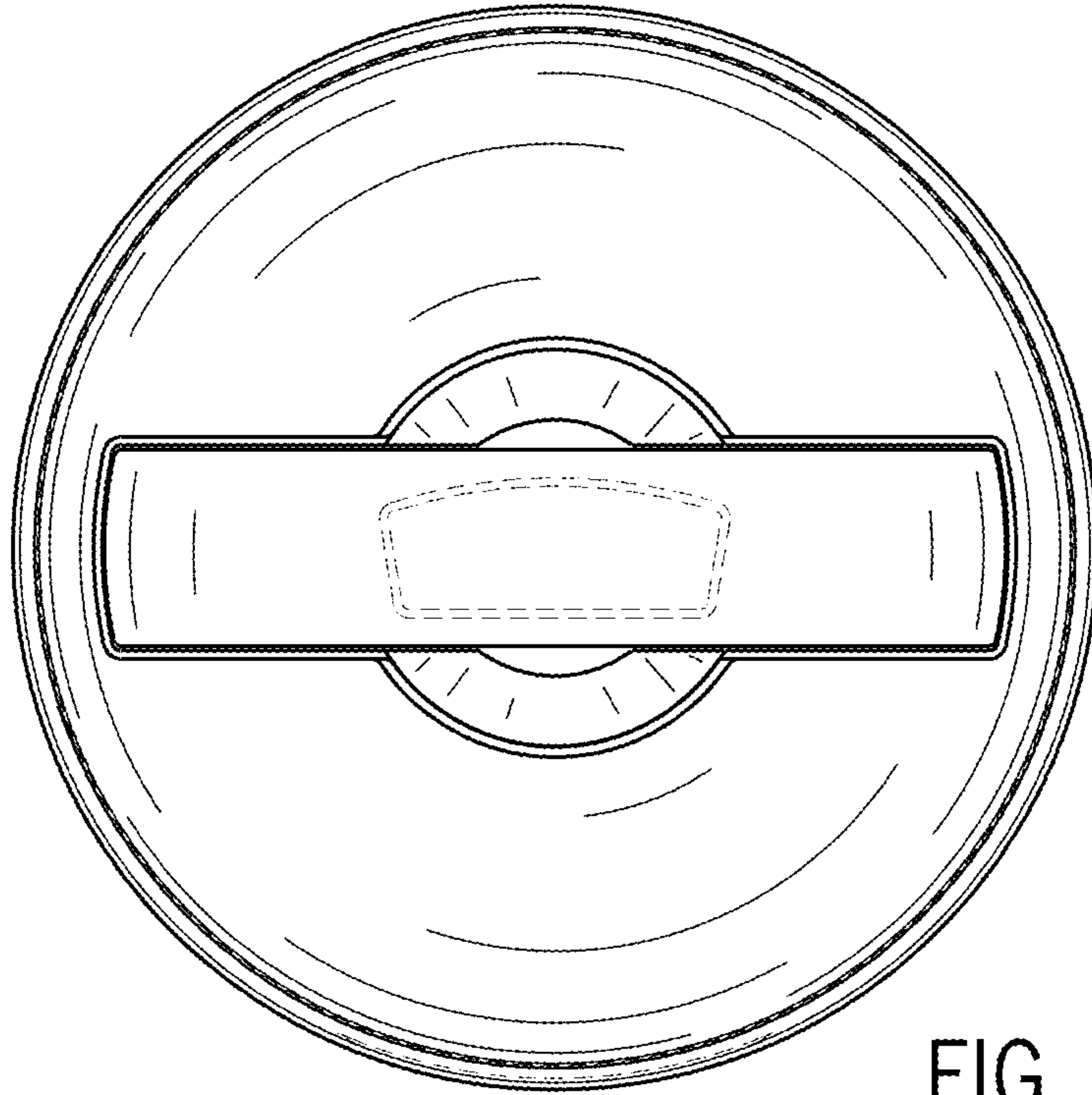


FIG. 7

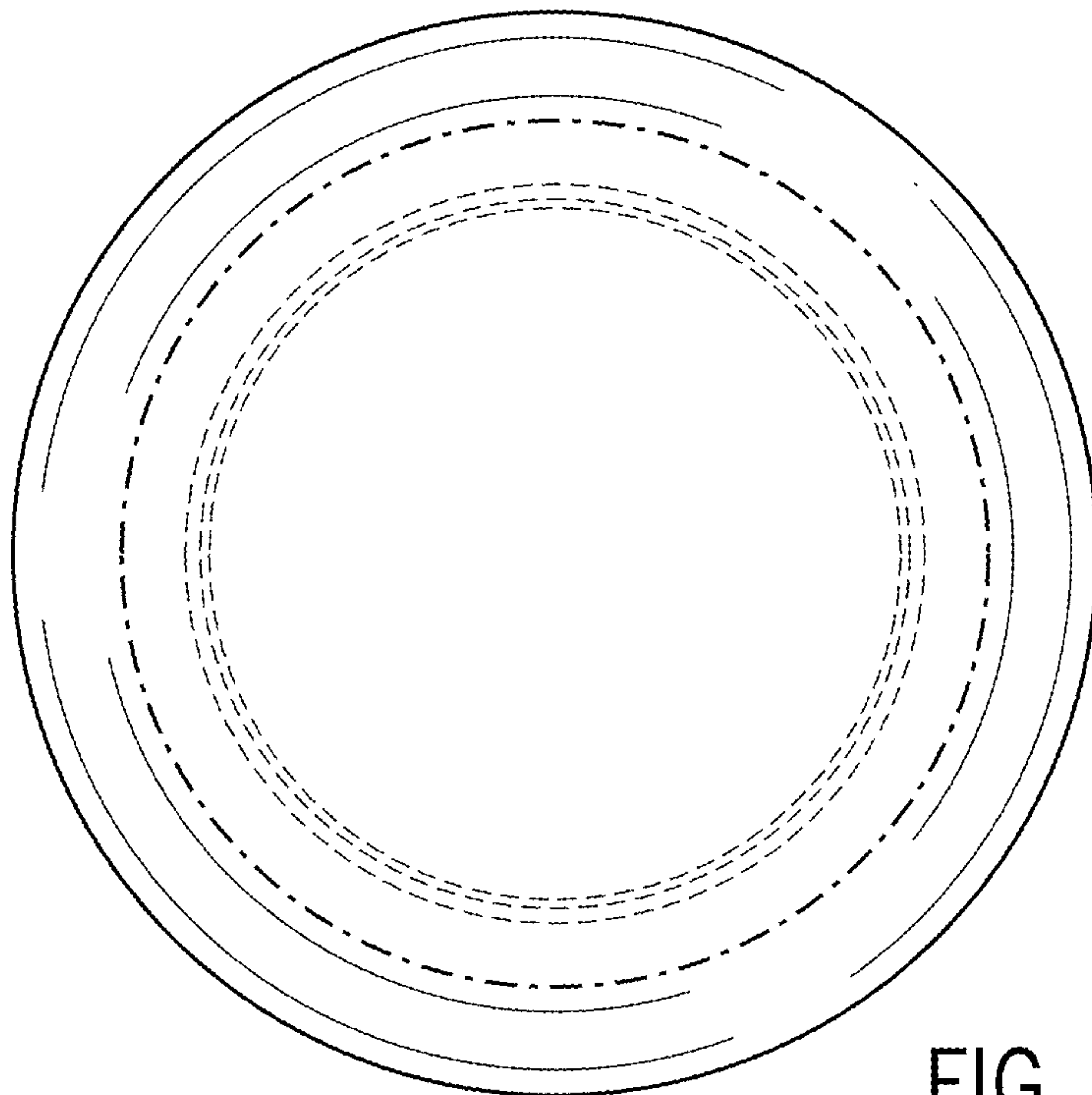


FIG. 8

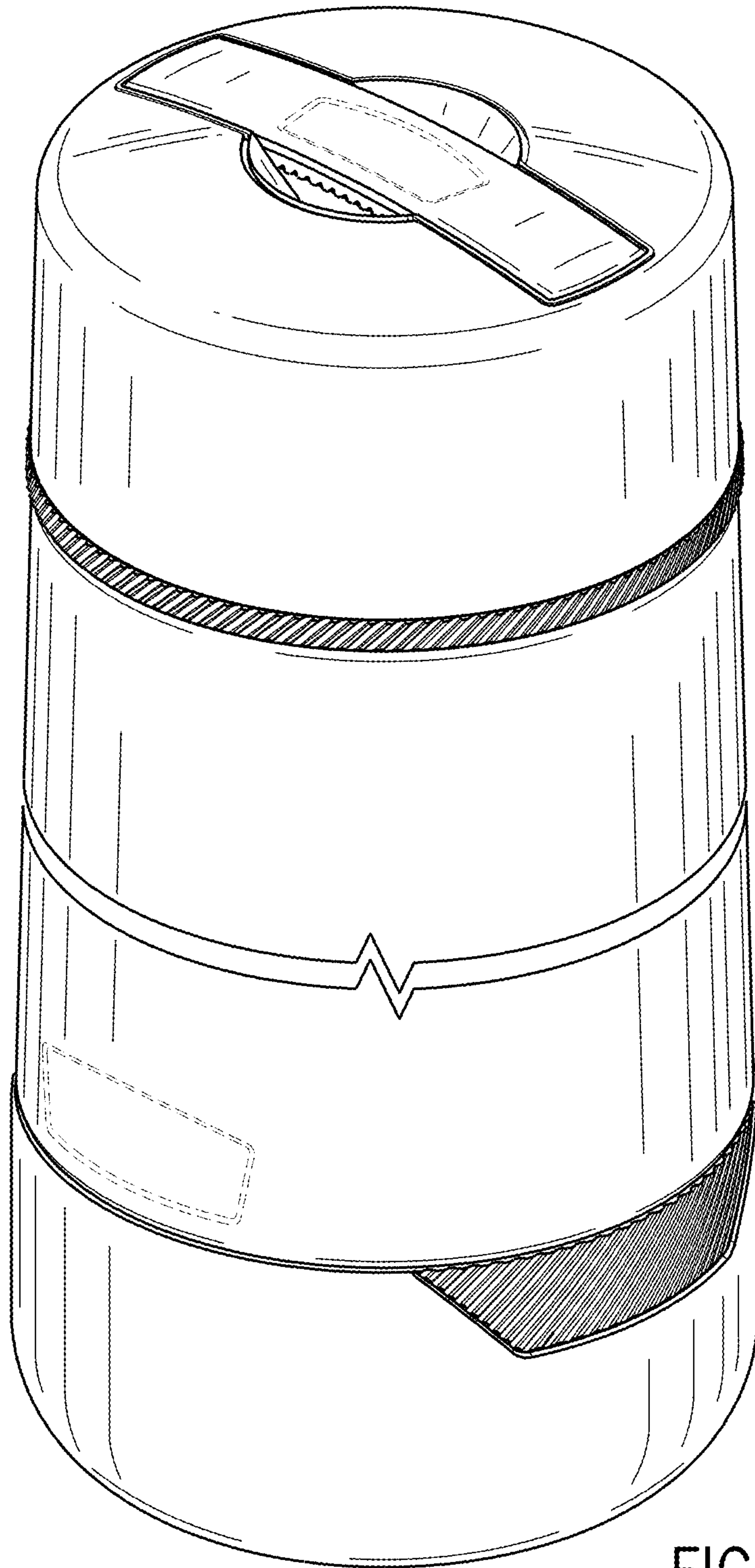


FIG. 9

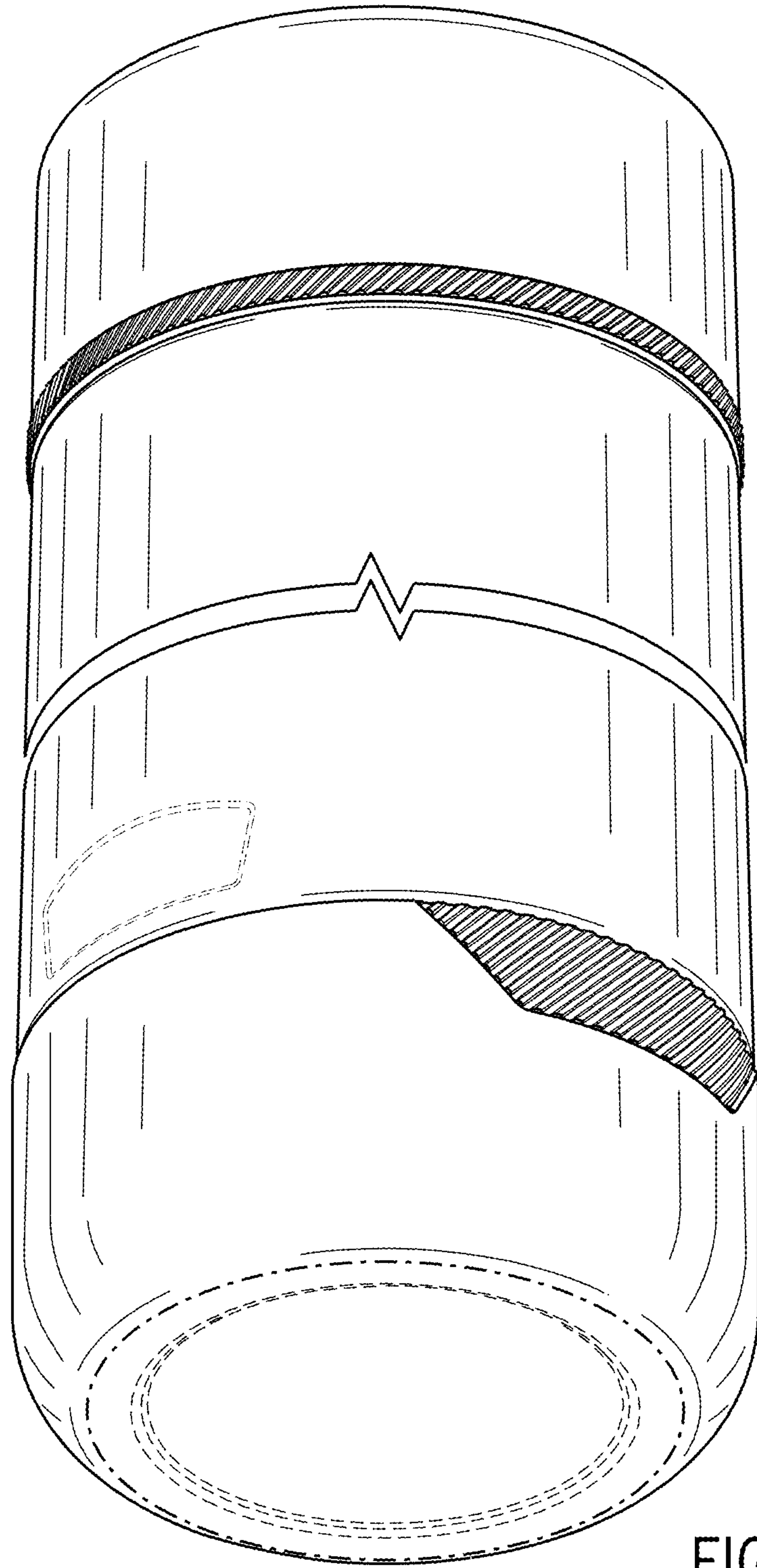


FIG. 10

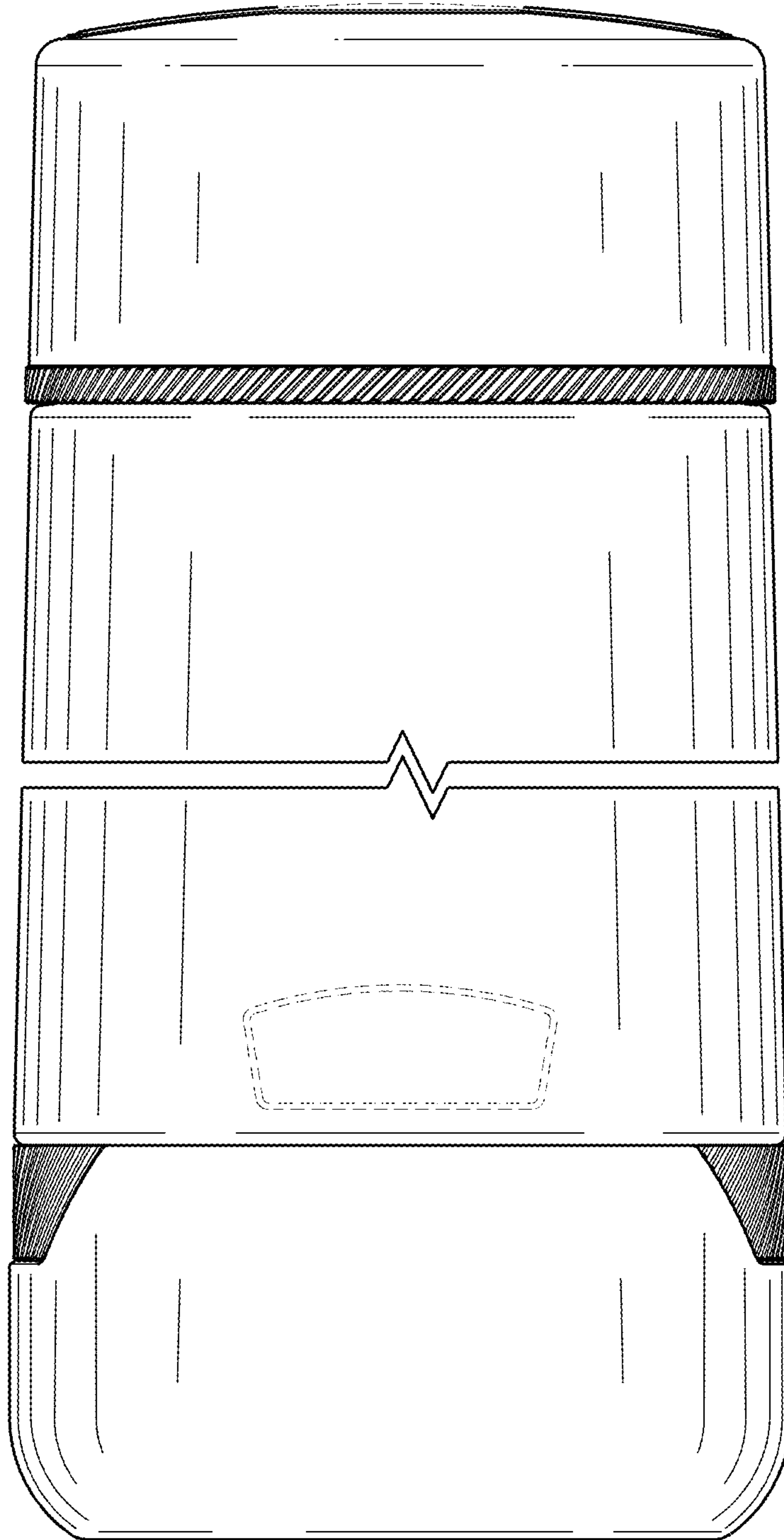


FIG. 11



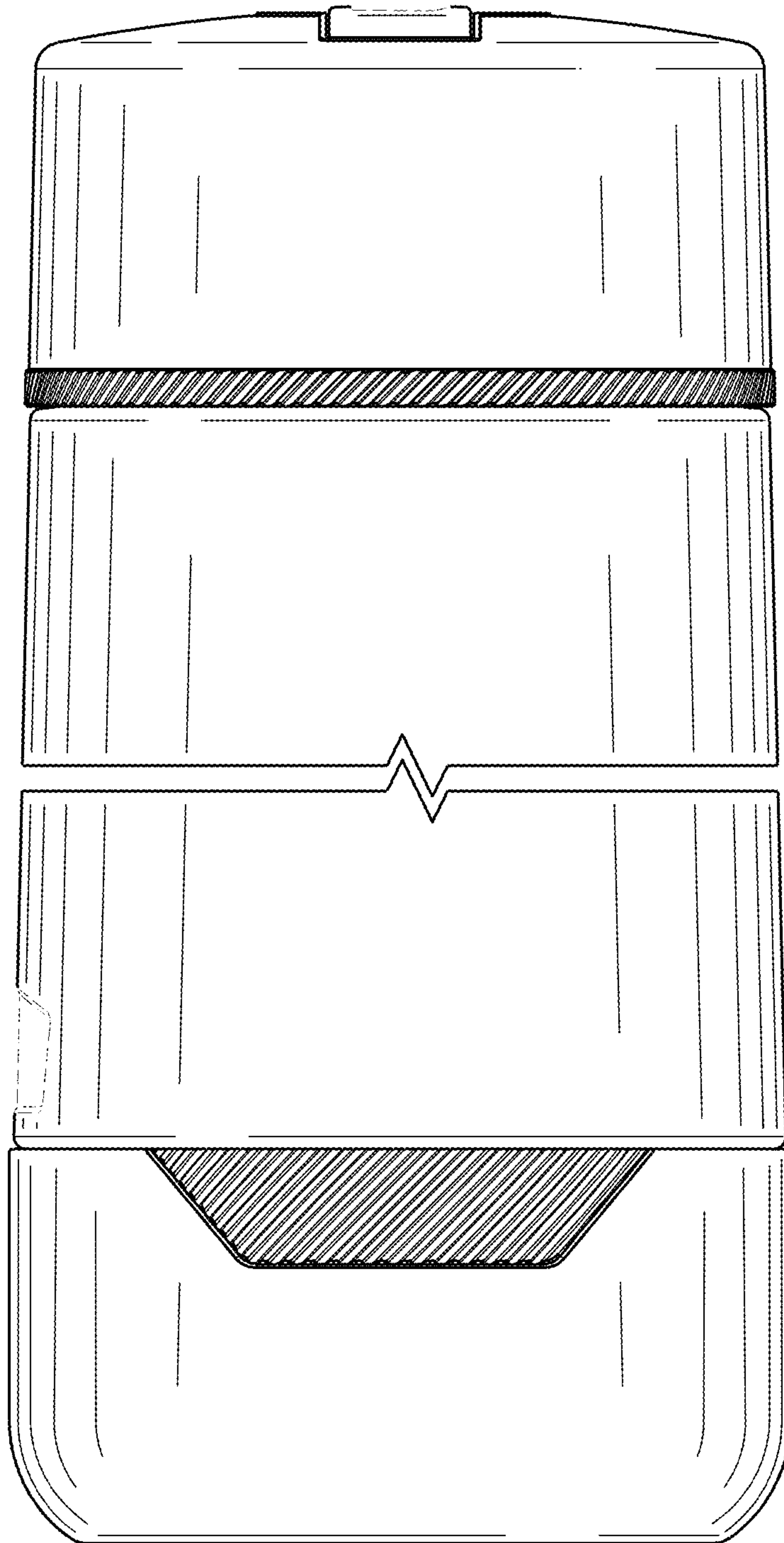


FIG. 12

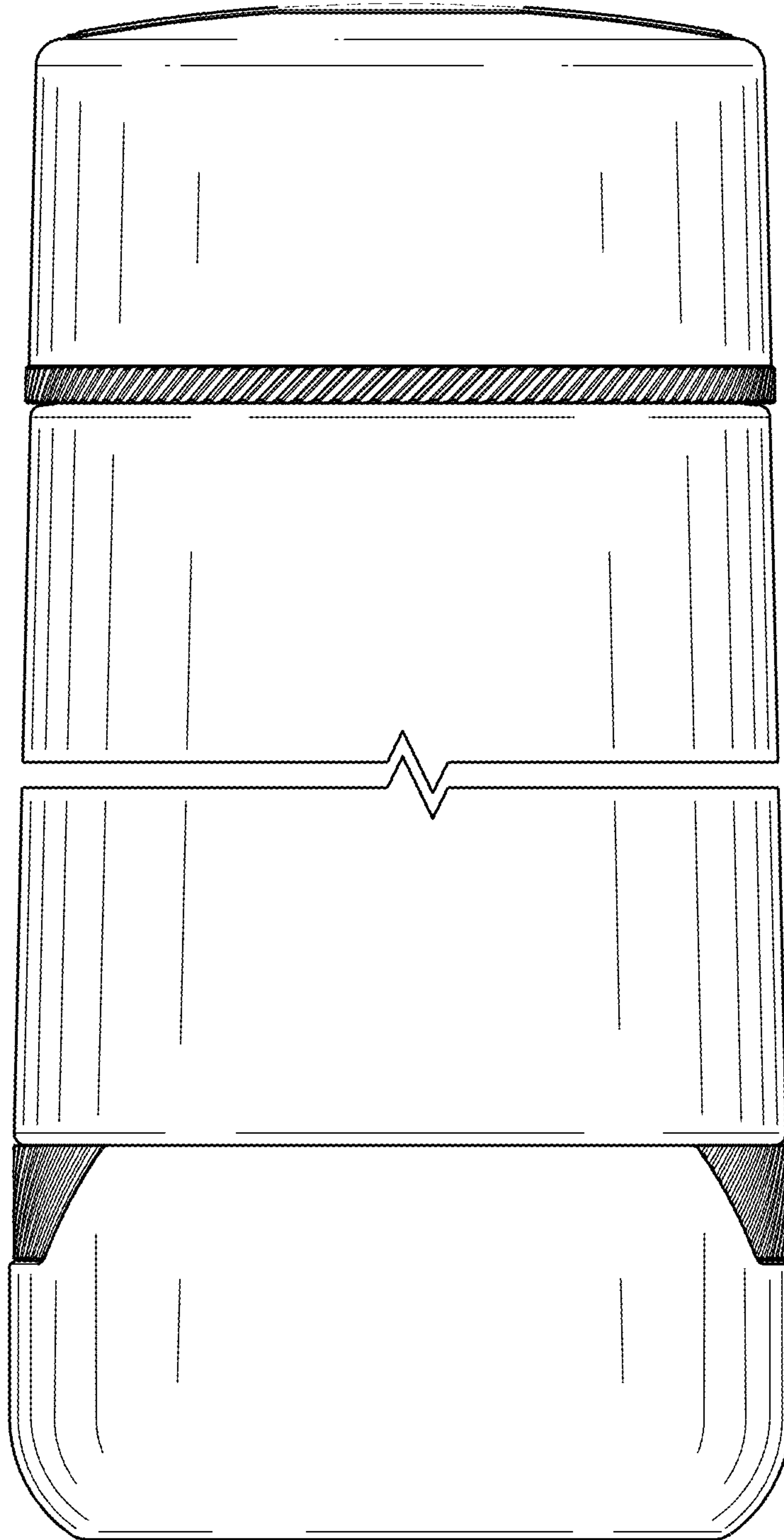


FIG. 13

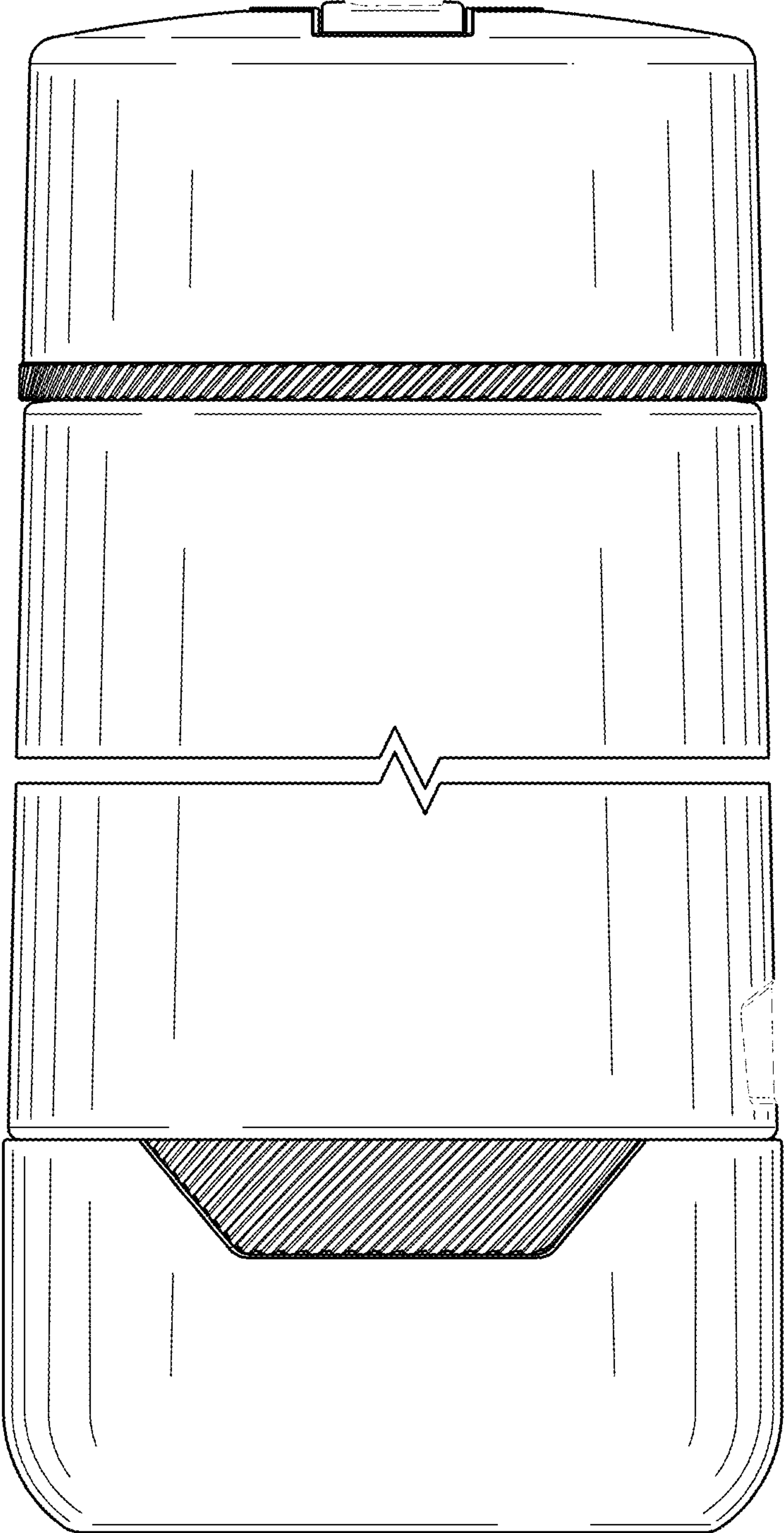


FIG. 14

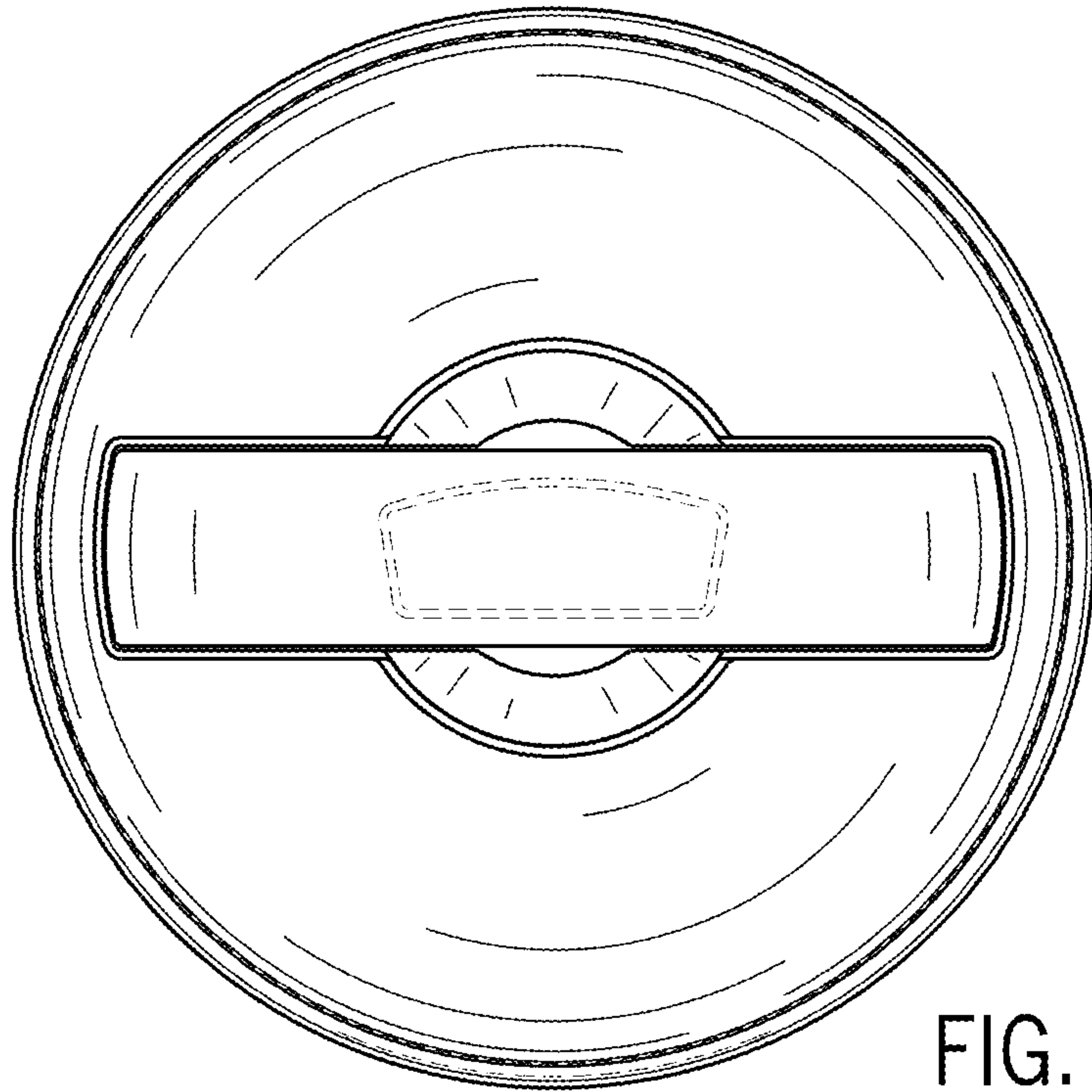


FIG. 15

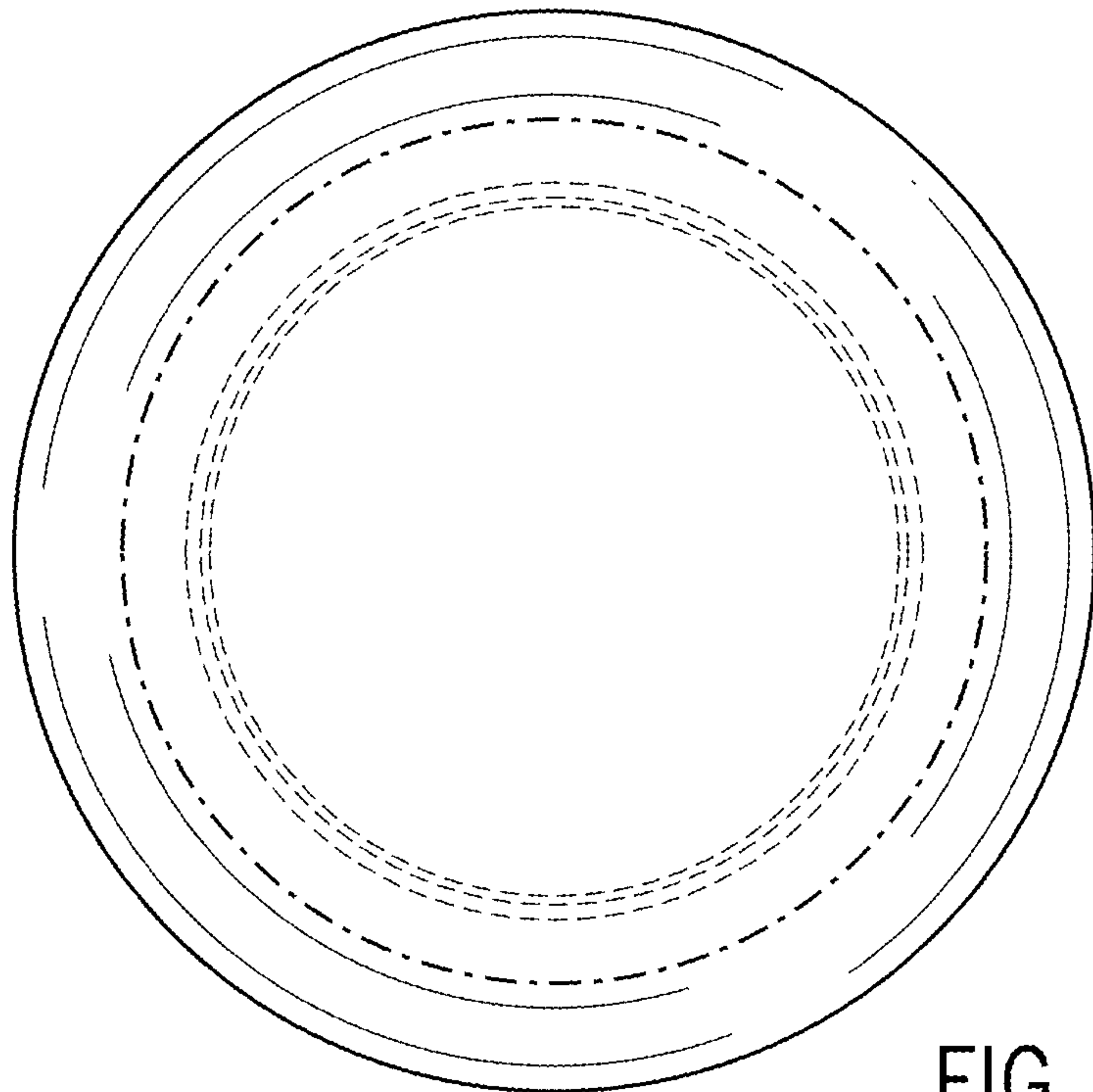


FIG. 16