

US00D893958S

(12) **United States Design Patent** (10) **Patent No.:** **US D893,958 S**
Guthrie et al. (45) **Date of Patent:** **** Aug. 25, 2020**

(54) **FOOD CONTAINER**

(71) Applicant: **Pacific Market International, LLC**,
Seattle, WA (US)

(72) Inventors: **Emily Claire Guthrie**, Seattle, WA
(US); **Jacob D. Silsby**, Seattle, WA
(US)

(73) Assignee: **Pacific Market International, LLC**,
Seattle, WA (US)

(**) Term: **15 Years**

(21) Appl. No.: **29/577,671**

(22) Filed: **Sep. 14, 2016**

(51) **LOC (12) Cl.** **09-07**

(52) **U.S. Cl.**
USPC **D7/629**

(58) **Field of Classification Search**
USPC D7/602, 605–607, 619.1, 629–630, 527,
D7/540; D9/500–504, 529, 763, 772,
D9/776, 453, 537, 549; 206/139–144,
206/216–217, 528–529, 537, 540, 549,
206/446; D3/202; D27/190
CPC B65D 81/24; B65D 2543/00731; B65D
41/08; A47G 23/04; A47J 41/00
See application file for complete search history.

(56) **References Cited**

U.S. PATENT DOCUMENTS

D286,604 S * 11/1986 Bierlein D11/152
D289,143 S * 4/1987 Guillaume D9/445
D295,380 S * 4/1988 Virag D9/447
D359,910 S * 7/1995 Hirsch D9/503

(Continued)

FOREIGN PATENT DOCUMENTS

KR 300777817.0001 * 3/2015
RU 00112524 * 12/2018

OTHER PUBLICATIONS

PR 222 500 ml Wide Mouth HDPE Container, Glass & Plastic
Packaging SM, glassplastic.com, author not listed, posted on Jan.
29, 2017 per wayback machine © 2019 Economics software, online,
site visited Jun. 18, 2019. Available from Internet, URL: [https://
www.glassplastic.com/home/64-pp201-series.html](https://www.glassplastic.com/home/64-pp201-series.html) (Year: 2017).*

(Continued)

Primary Examiner — Marissa J Cash

Assistant Examiner — Altaira J Swangin

(74) *Attorney, Agent, or Firm* — Davis Wright Tremaine
LLP; George C. Rondeau, Jr.

(57) **CLAIM**

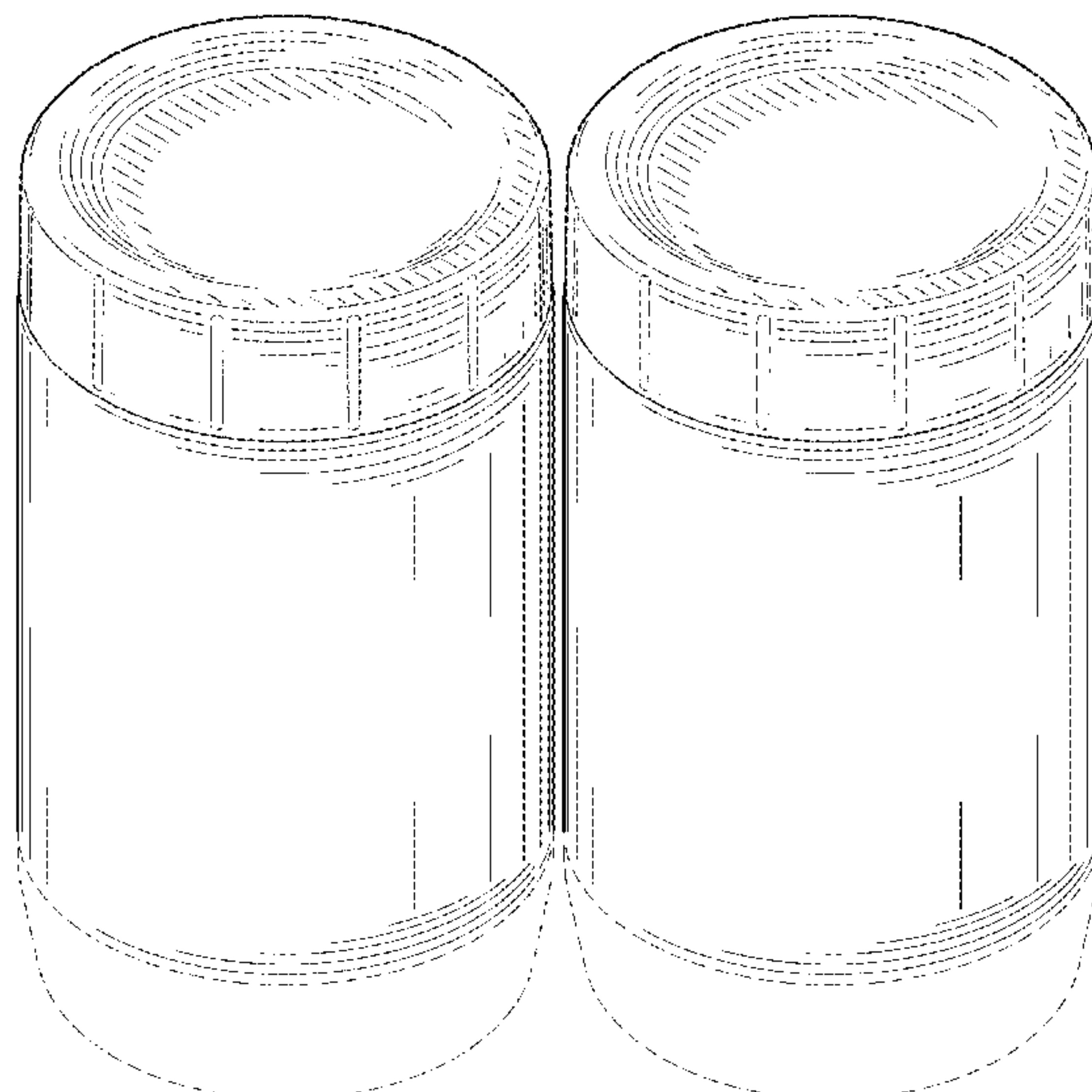
The ornamental design for a food container, as shown and
described.

DESCRIPTION

FIG. 1 is a top perspective view of a first embodiment of a
food container, showing our new design;
FIG. 2 is a bottom perspective view thereof;
FIG. 3 is a right side elevational view thereof;
FIG. 4 is a front elevational view thereof;
FIG. 5 is a left side elevational view thereof;
FIG. 6 is a rear elevational view thereof;
FIG. 7 is a top plan view thereof;
FIG. 8 is a bottom plan view thereof;
FIG. 9 is a top perspective view of a second embodiment a
food container;
FIG. 10 is a bottom perspective view thereof;
FIG. 11 is a right side elevational view thereof;
FIG. 12 is a front elevational view thereof;
FIG. 13 is a left side elevational view thereof;
FIG. 14 is a rear elevational view thereof;
FIG. 15 is a top plan view thereof; and,
FIG. 16 is a bottom plan view thereof.

The broken lines in the drawings depict portions of the food
container that form no part of the claimed design.

1 Claim, 14 Drawing Sheets



(56)

References Cited

U.S. PATENT DOCUMENTS

D375,870 S * 11/1996 Stonehouse D7/509
 5,660,290 A * 8/1997 Hayes B65D 41/08
 215/252
 D423,588 S * 4/2000 Koehneke D19/76
 D455,052 S * 4/2002 Gullickson D7/619.1
 D467,811 S * 12/2002 Slater D9/529
 D522,367 S * 6/2006 Bakic D9/504
 D534,802 S * 1/2007 German D9/453
 D537,721 S * 3/2007 Kertels D9/449
 D586,182 S * 2/2009 Trombly D7/509
 7,571,830 B2 * 8/2009 Lin A47J 41/0016
 206/217
 D604,942 S * 12/2009 Smith D3/202
 D622,554 S * 8/2010 Carreno D7/629
 D624,363 S * 9/2010 Alviar D7/396.2
 D660,084 S * 5/2012 Gilbert D7/510
 D680,387 S * 4/2013 Hopkins D7/629
 D695,138 S * 12/2013 Ball D9/435
 D734,096 S * 7/2015 George D7/509
 D752,397 S * 3/2016 Seiders D7/608
 D759,487 S * 6/2016 Jayakaran D9/453
 D778,724 S * 2/2017 Martini D9/443
 D779,285 S * 2/2017 Seiders D7/624.2
 D779,891 S * 2/2017 Seiders D7/608
 D779,892 S * 2/2017 Seiders D7/624.2
 D779,974 S * 2/2017 Florkiewicz D9/772
 D779,975 S * 2/2017 Arranz D9/772
 D780,530 S * 3/2017 Seiders D7/608
 D780,531 S * 3/2017 Seiders D7/608
 D780,532 S * 3/2017 Seiders D7/608
 D780,533 S * 3/2017 Seiders D7/608
 D780,601 S * 3/2017 Arranz D9/772
 D786,025 S * 5/2017 Seiders D7/606
 D786,072 S * 5/2017 Breit D9/443
 D786,679 S * 5/2017 Barroso Miana D9/504
 D786,966 S * 5/2017 Matsushita D18/56
 D790,966 S * 7/2017 Roberts D9/453

D803,005 S * 11/2017 Lane D7/608
 D804,233 S * 12/2017 Silsby D7/300.1
 D808,809 S * 1/2018 Krafft D9/504
 D821,159 S * 6/2018 Wahl D7/629
 D823,537 S * 7/2018 Beaver D27/191
 D826,003 S * 8/2018 Seiders D7/624.2
 D829,058 S * 9/2018 Seiders D7/624.2
 D830,787 S * 10/2018 Petrillo D7/624.2
 D839,476 S * 1/2019 Whetsel B65D 25/54
 D27/189
 D839,675 S * 2/2019 Beckman D7/511
 D846,358 S * 4/2019 Winter D7/624.2
 D849,524 S * 5/2019 Gadd D9/418
 10,278,473 B2 * 5/2019 Groffsky A45D 33/04
 D851,488 S * 6/2019 Tartock D9/454
 D869,933 S * 12/2019 Lee D8/334
 2017/0059216 A1 * 3/2017 Wiggins H01L 35/32
 2018/0312308 A1 * 11/2018 Hein B65D 43/0212
 2018/0332892 A1 * 11/2018 Beaver A24F 15/18

OTHER PUBLICATIONS

Adventure Stainless Steel Vacuum Food Jar, Stanley, Stanley-pmi.com, author and date not listed © 2019 Stanley, online, site visited Jun. 18, 2019. Available from Internet, URL: <https://www.stanley-pmi.com/shop/adventure-stainless-steel-vacuum-food-jar-14oz> (Year: 2019).*

Peanut Butter Jar, Kraft, canadianpackaging.com, published by George Guidoni on May 13, 2015 © 2019 Annex Business Media, online, site visited Jun. 23, 2019. Available from Internet, URL: <https://www.canadianpackaging.com/features/the-bear-essentials-april-2015-canadian-packaging/> (Year: 2015).*

Peanut Butter Jar, Jif, thrillist.com, published by Dan Gentile on Mar. 4, 2014 © 2019 Group Nine Media Inc., online, site visited Jun. 23, 2019. Available from Internet, URL: <https://www.thrillist.com/eat/nation/best-peanut-butter-peanut-butter-taste-test-thrillist-nation> (Year: 2014).*

* cited by examiner

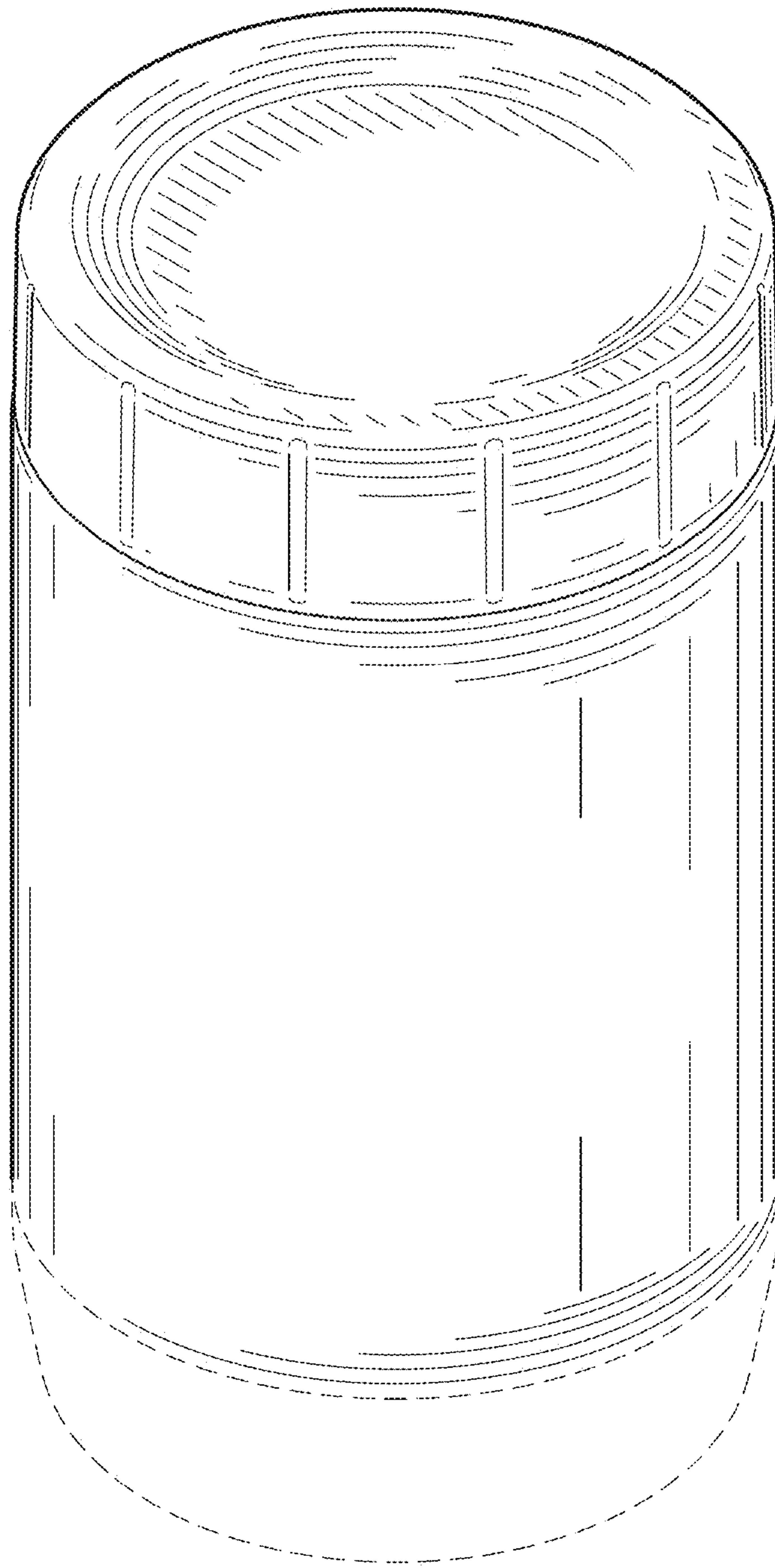


FIG. 1

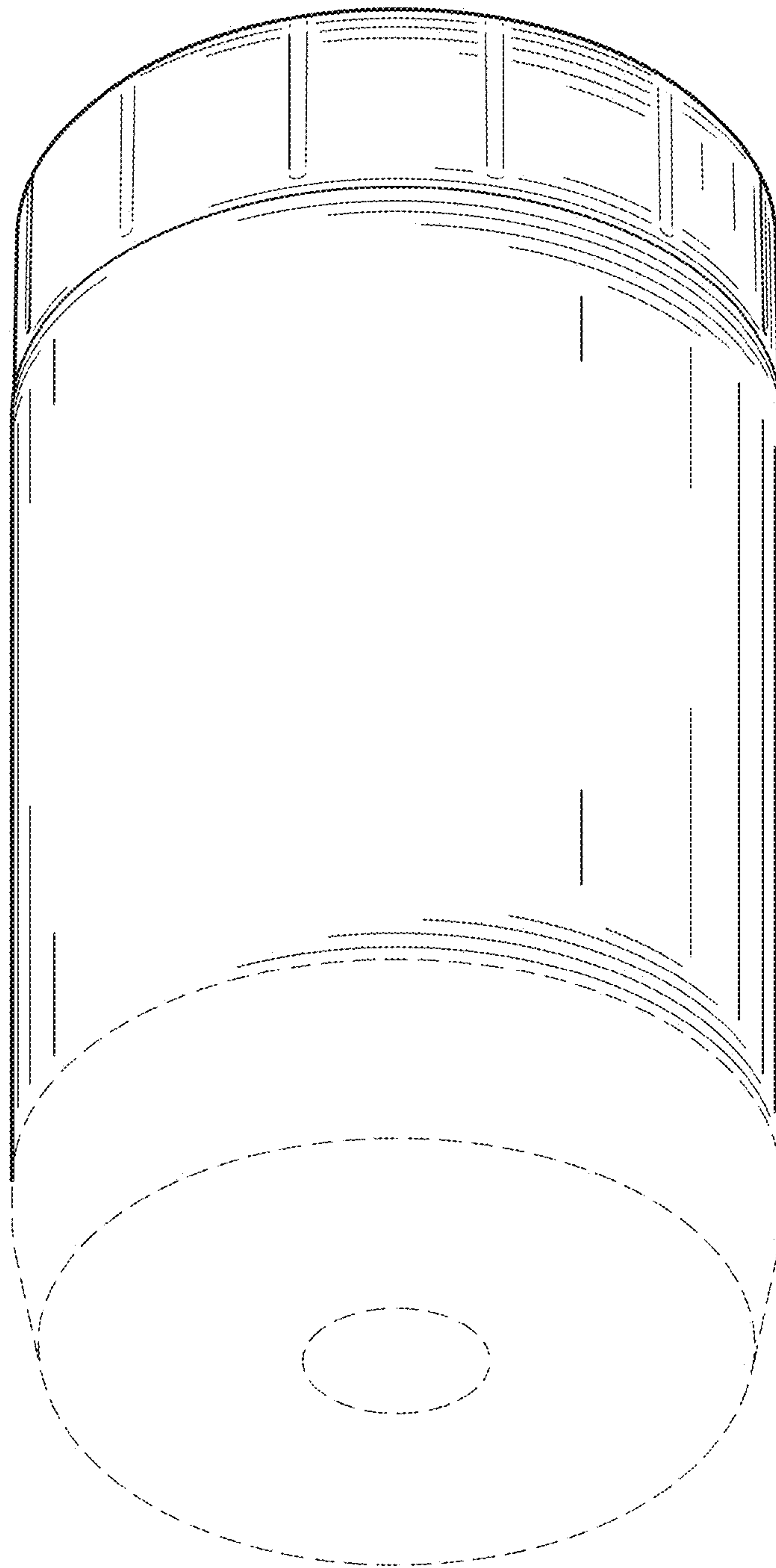


FIG. 2

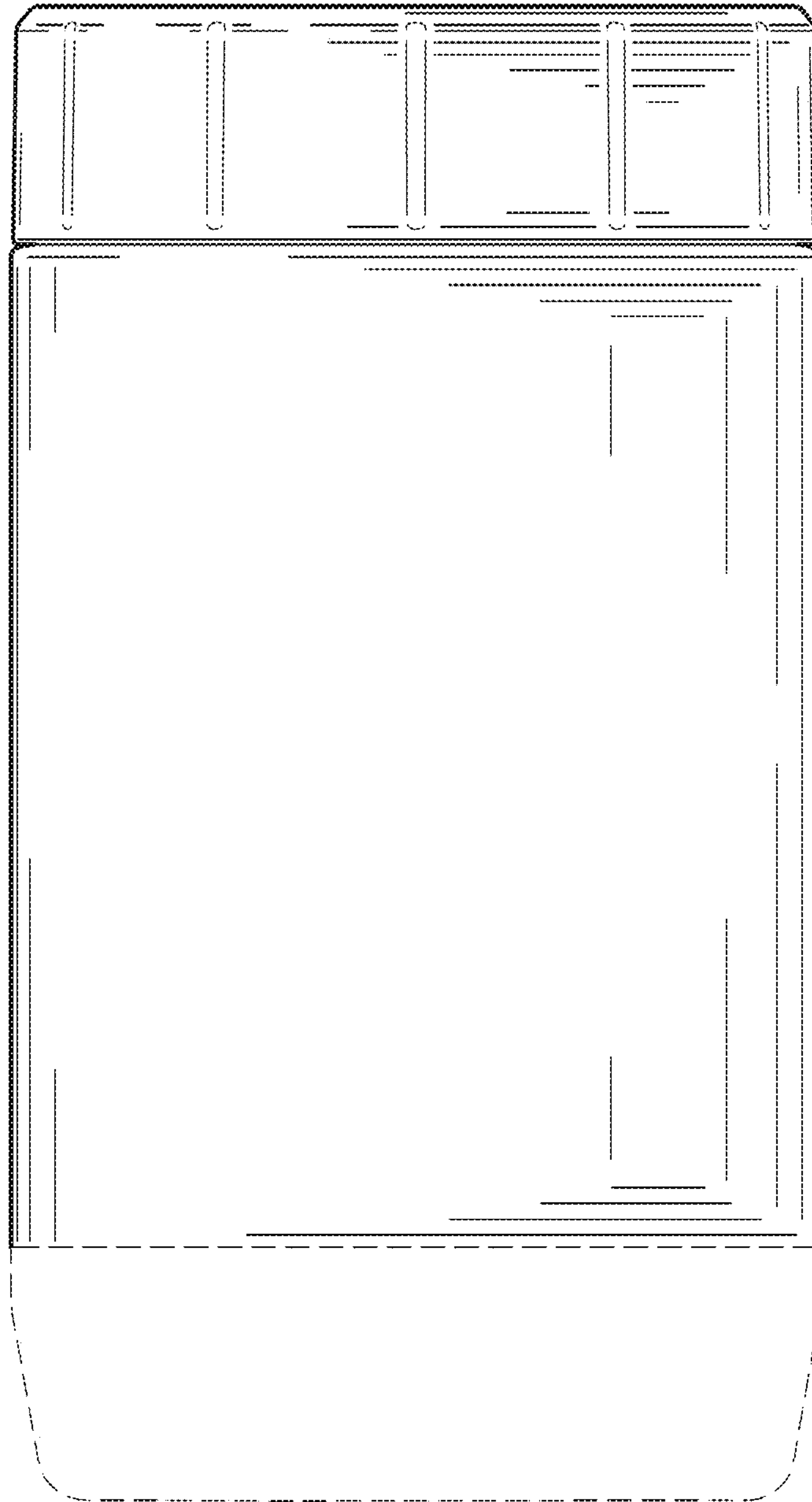


FIG. 3

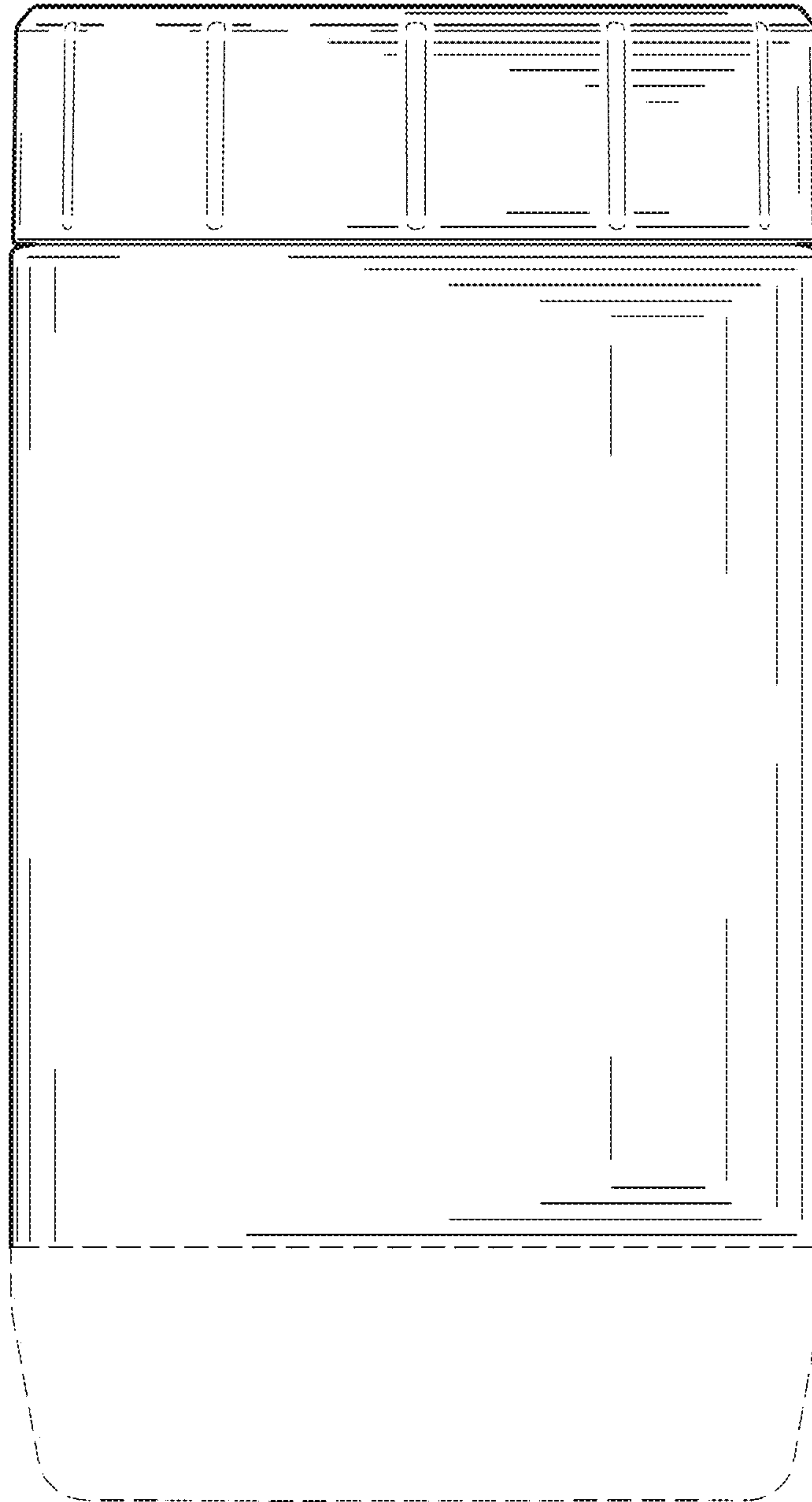


FIG. 4

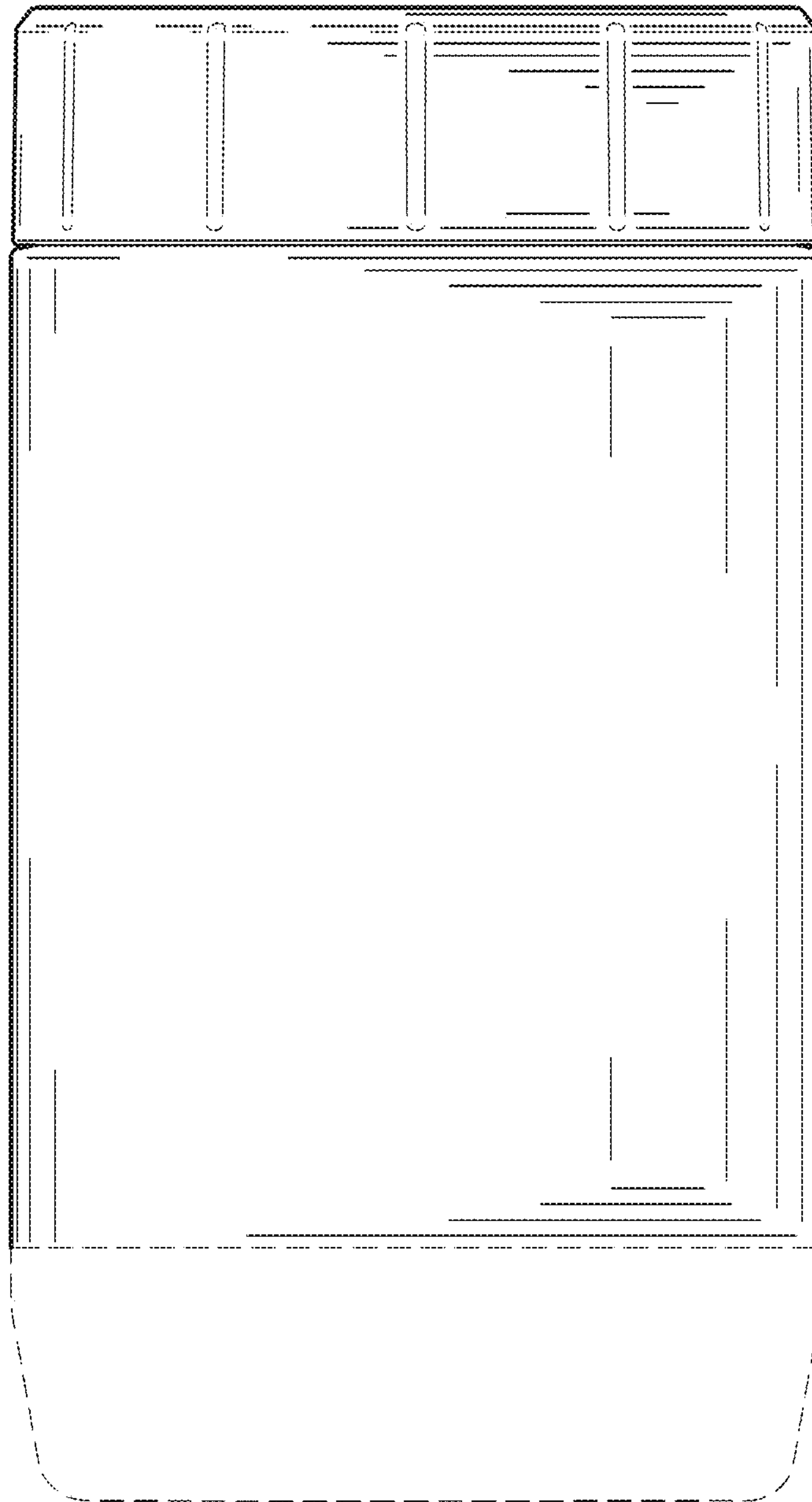


FIG. 5

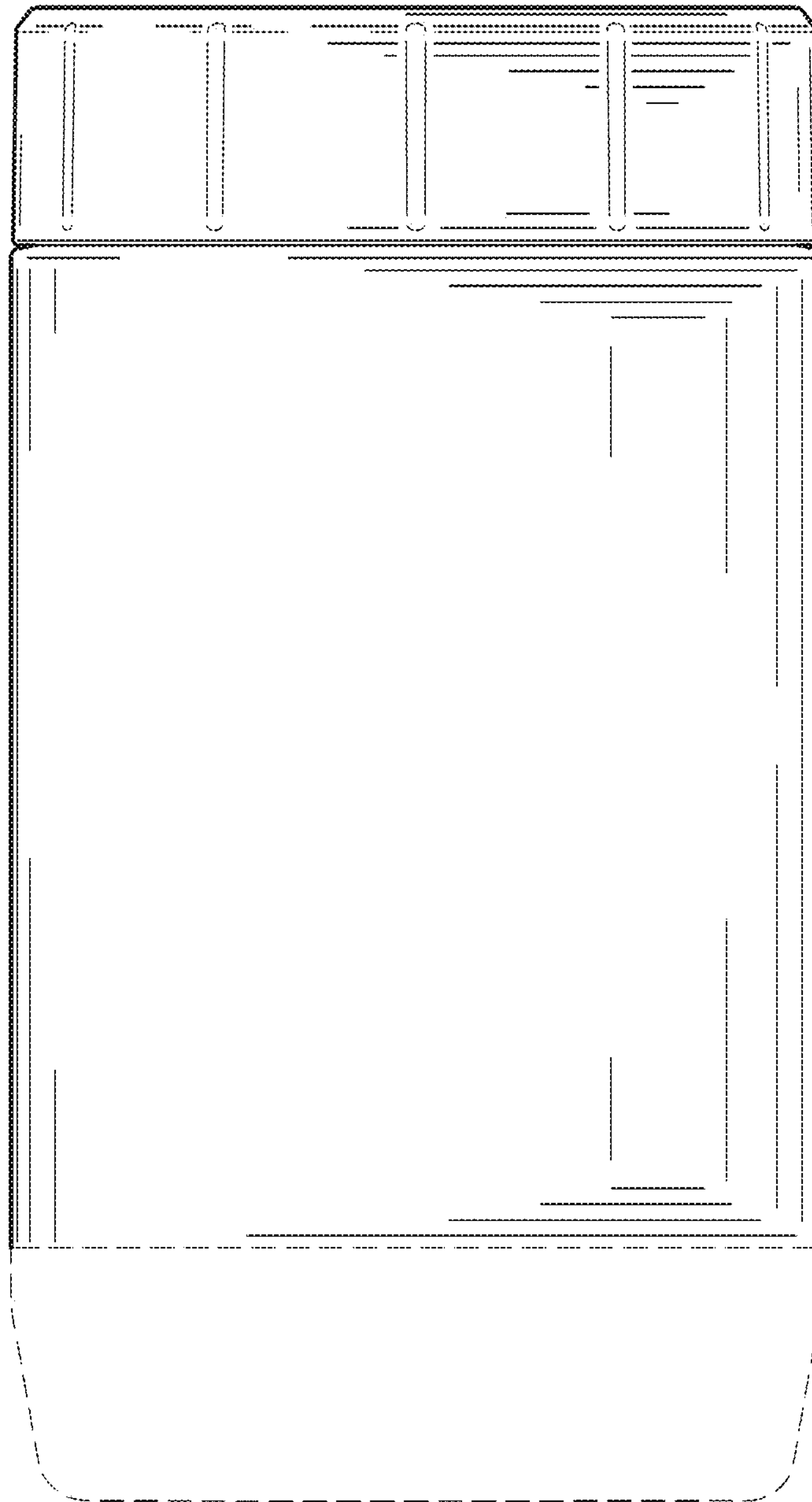


FIG. 6

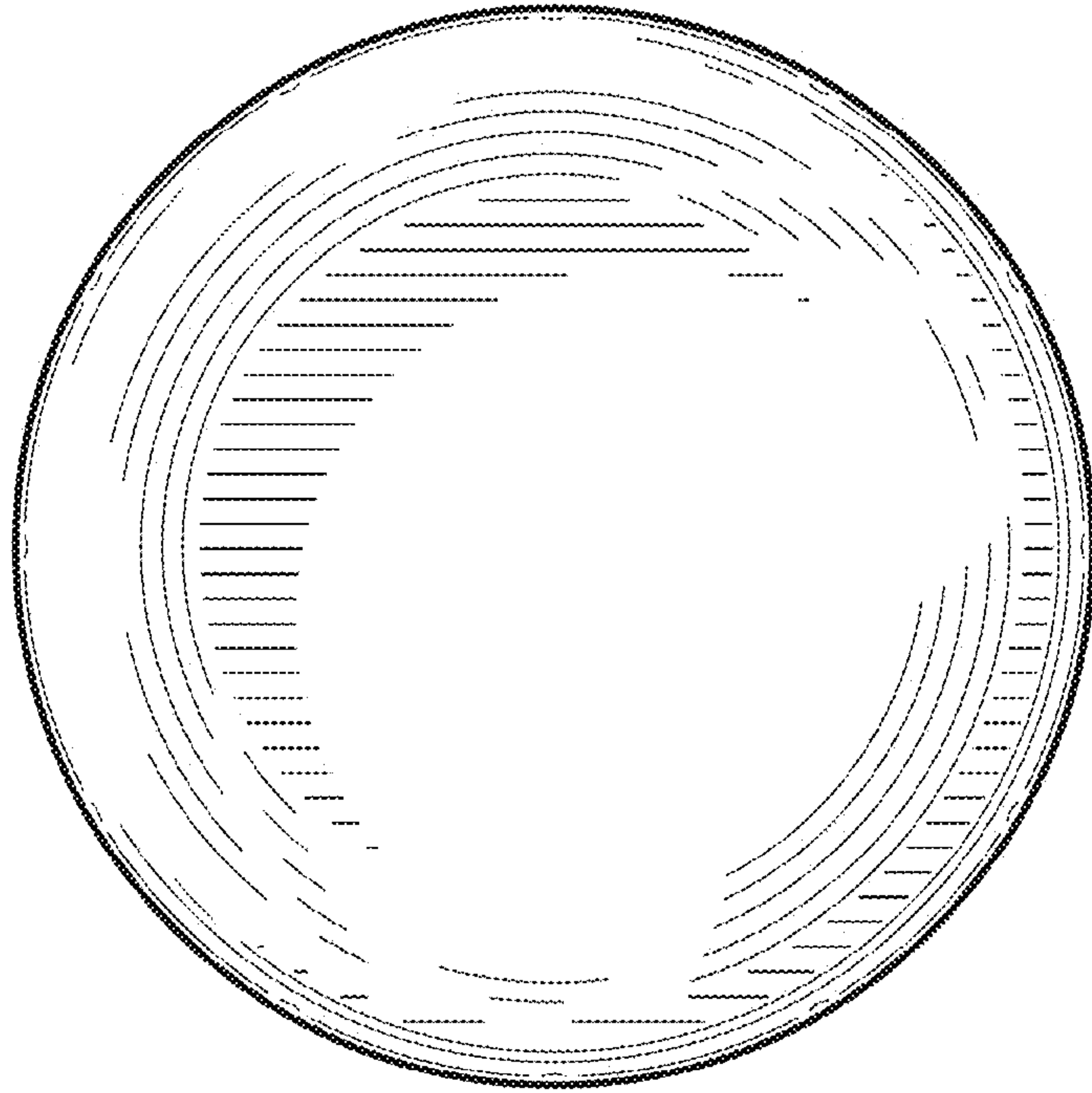


FIG. 7

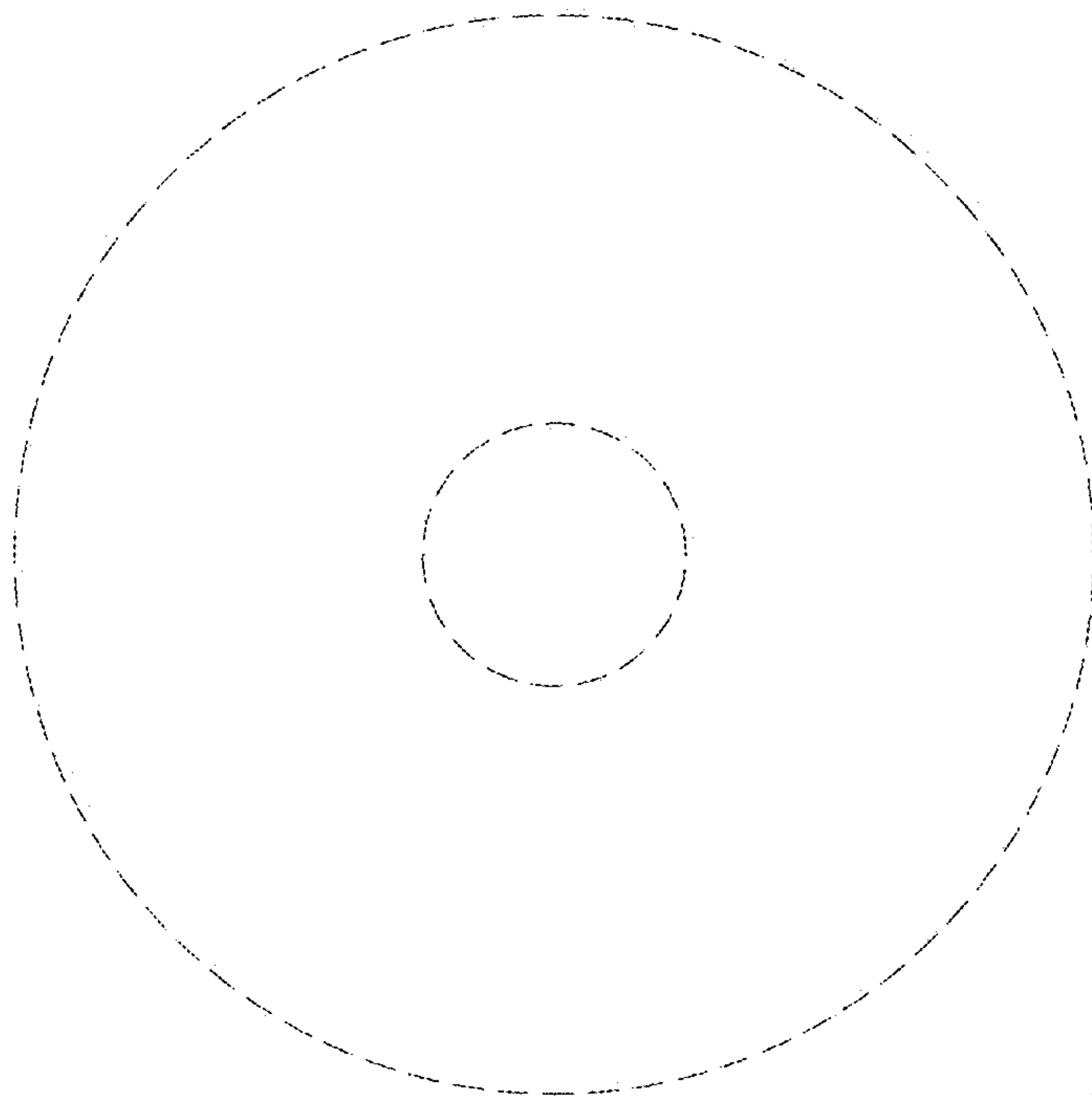


FIG. 8

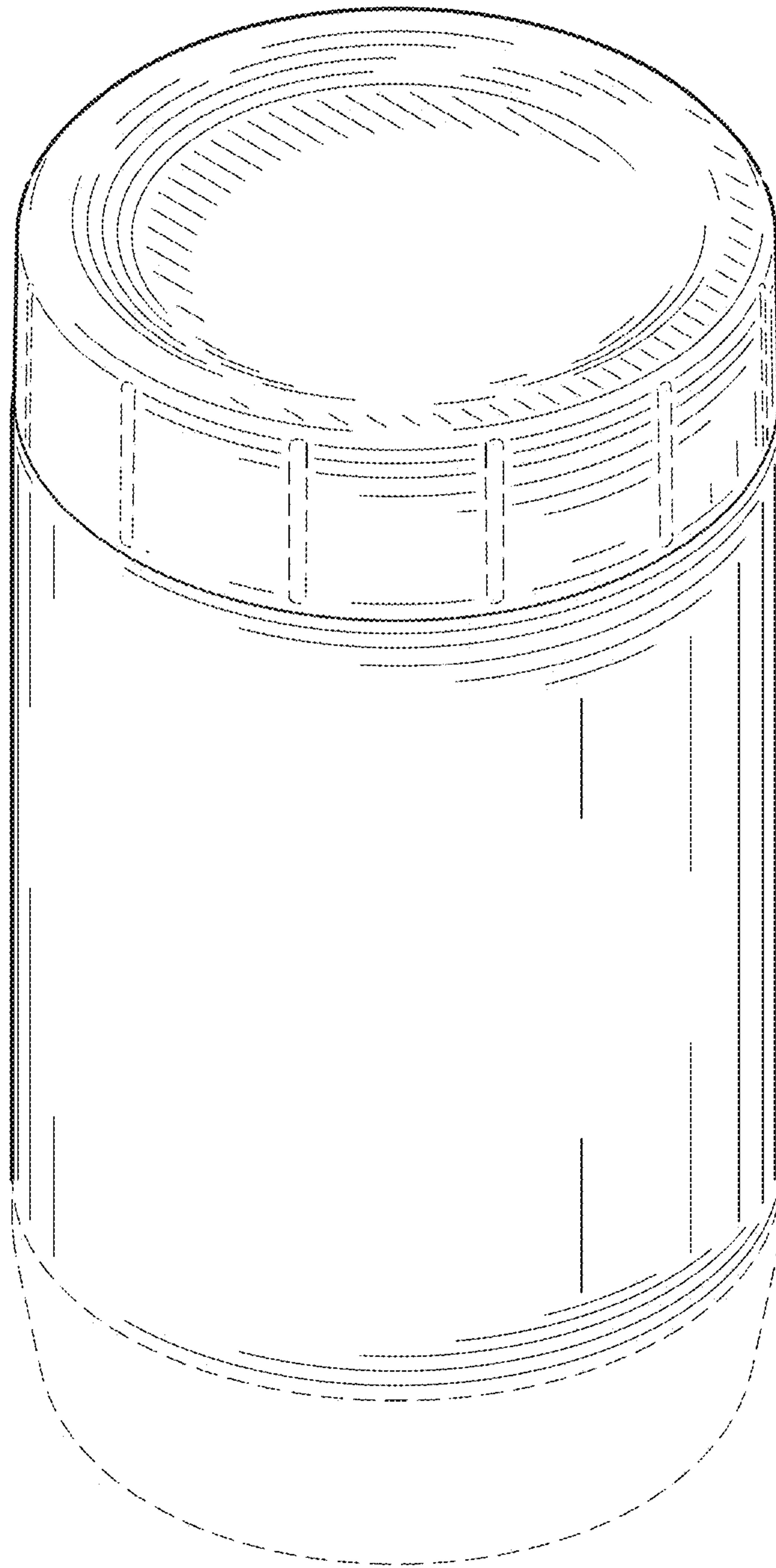


FIG. 9

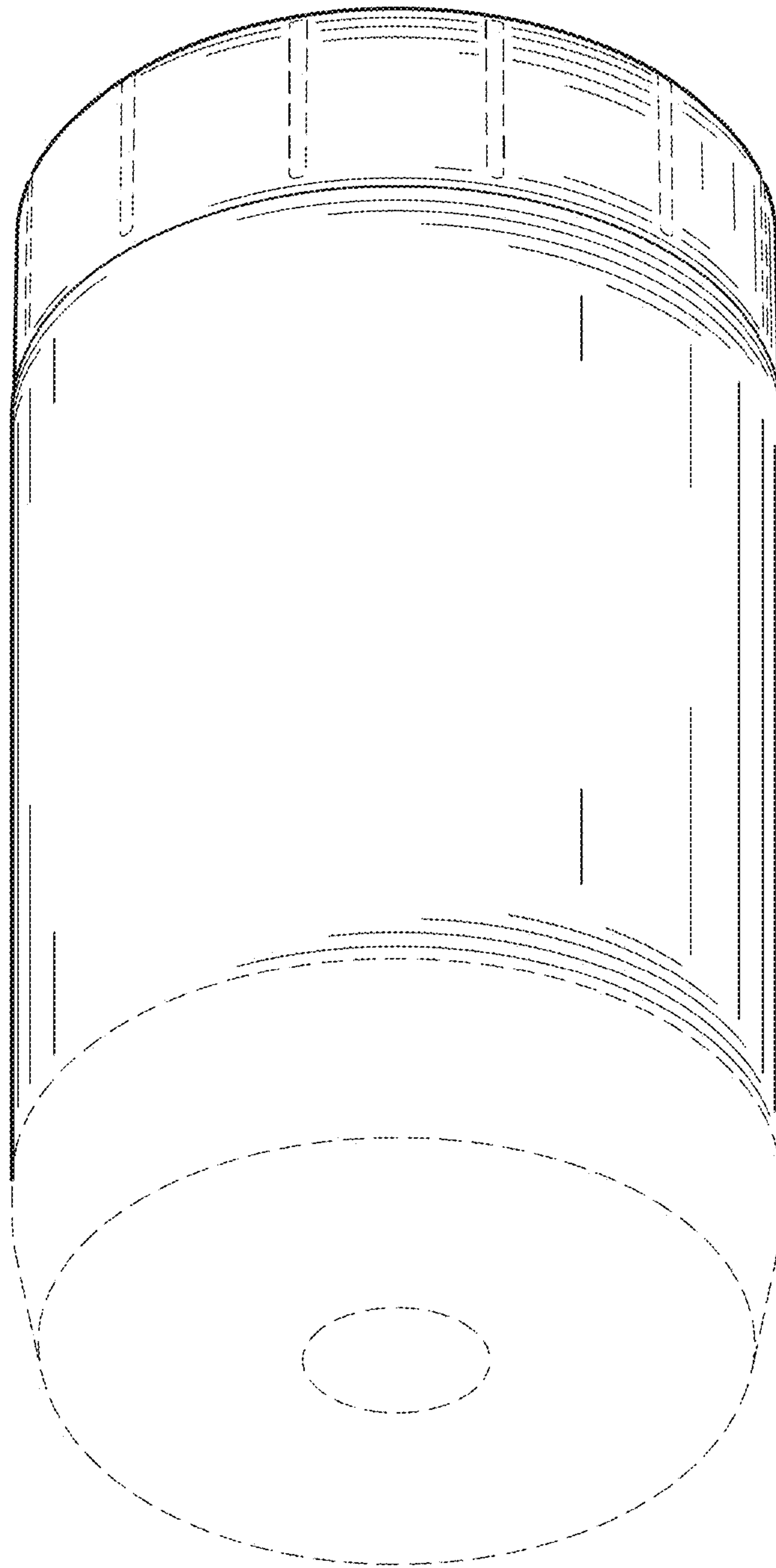


FIG. 10

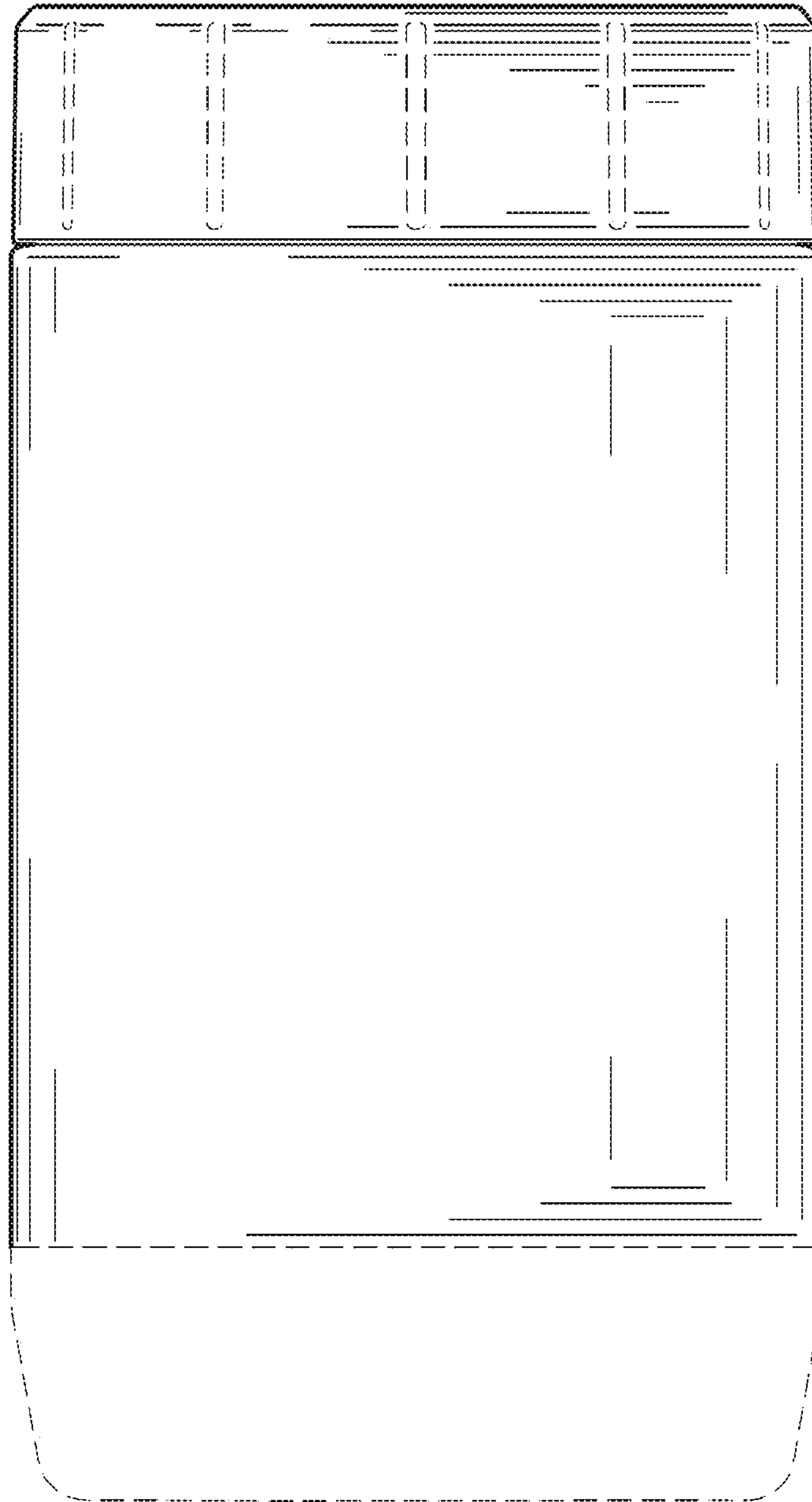


FIG. 11

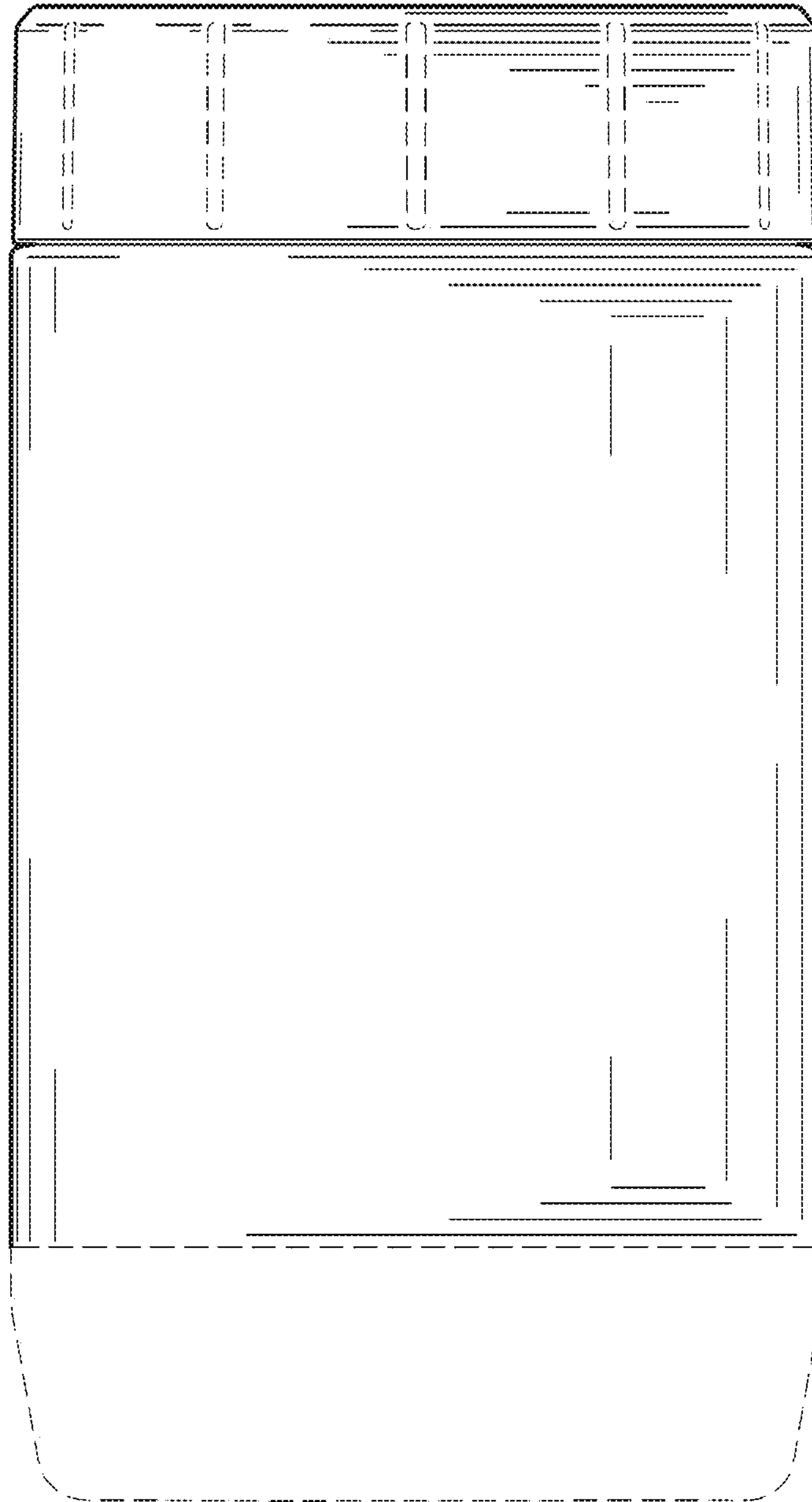


FIG. 12

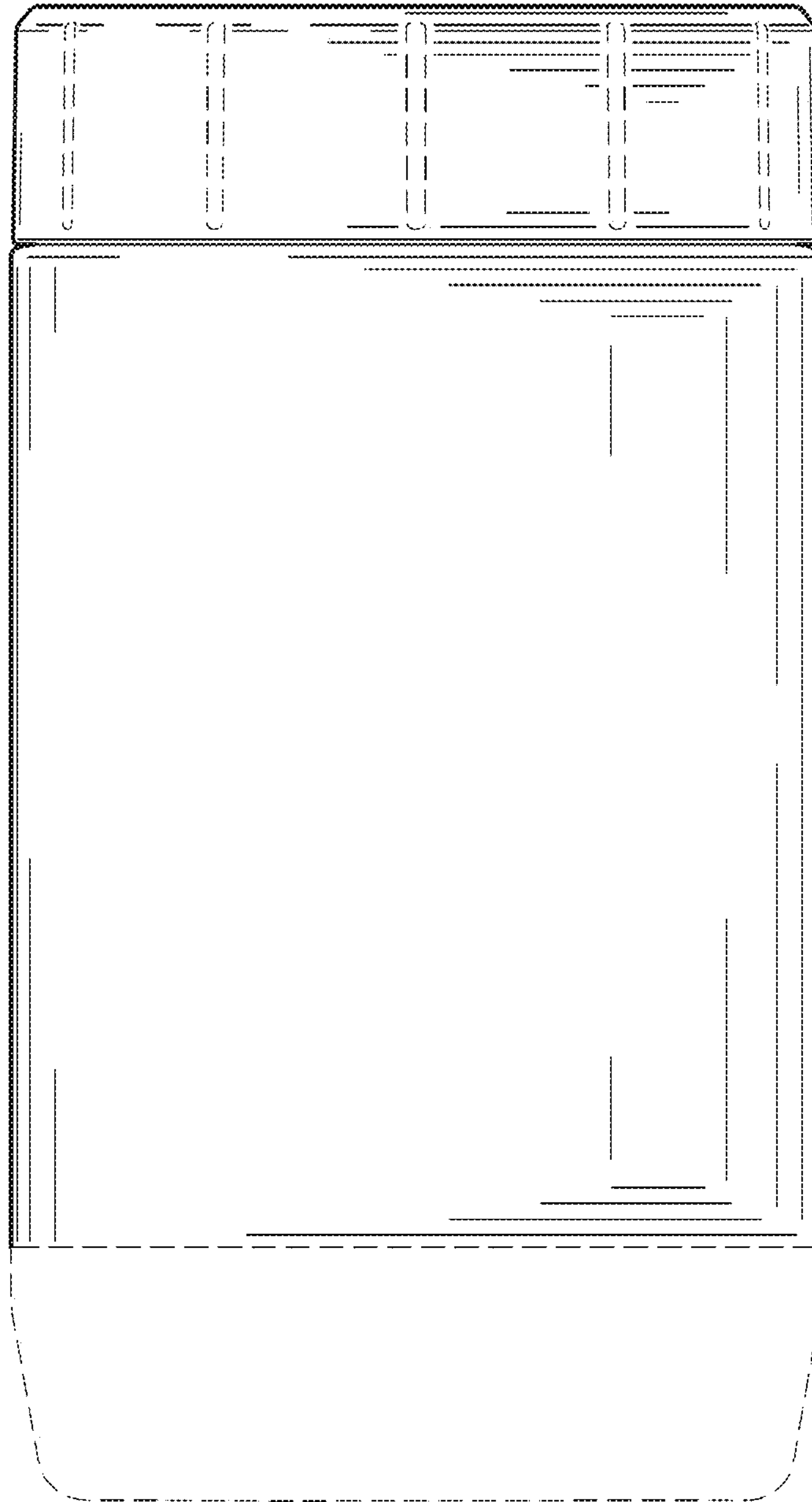


FIG. 13

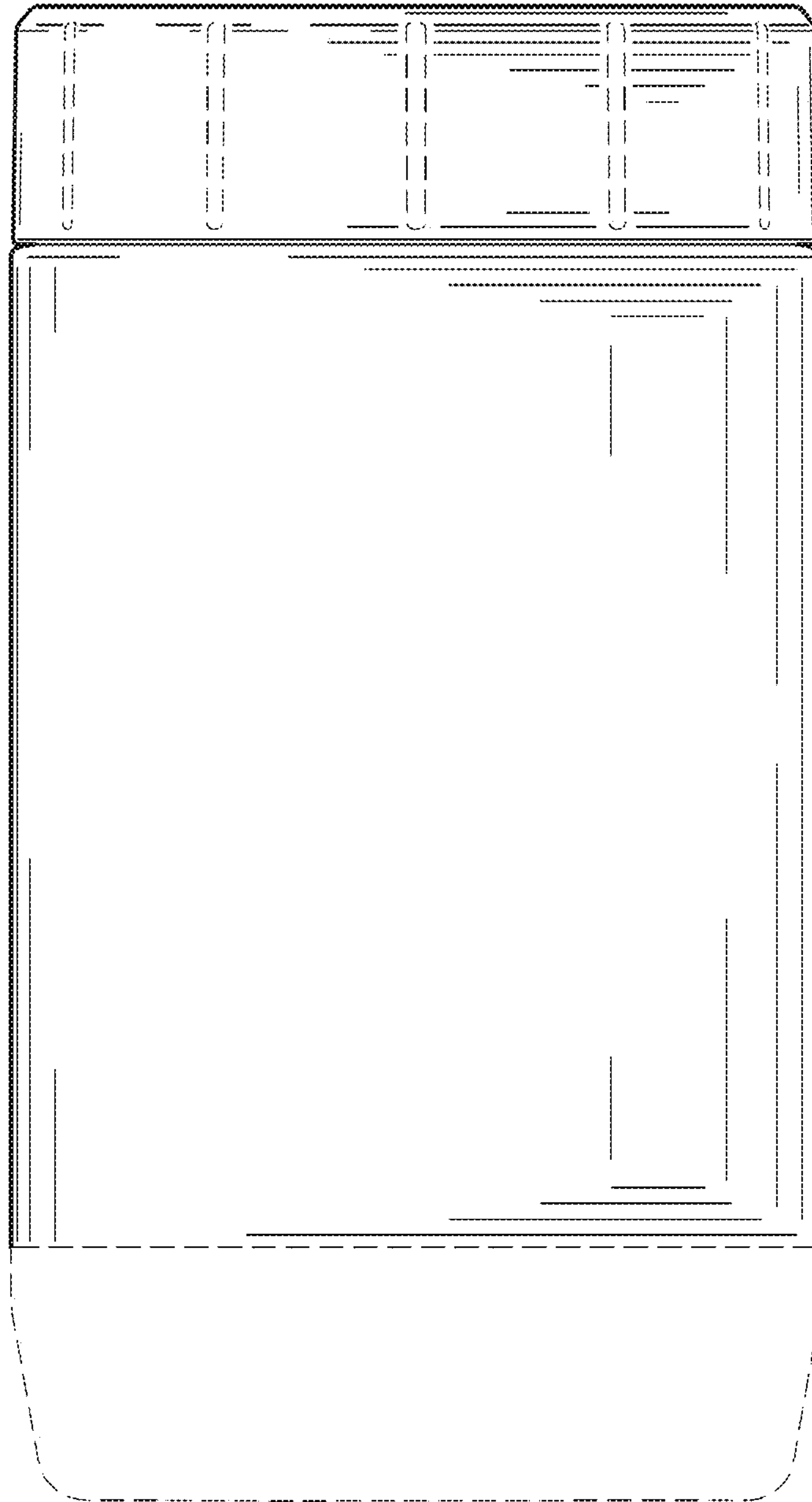


FIG. 14

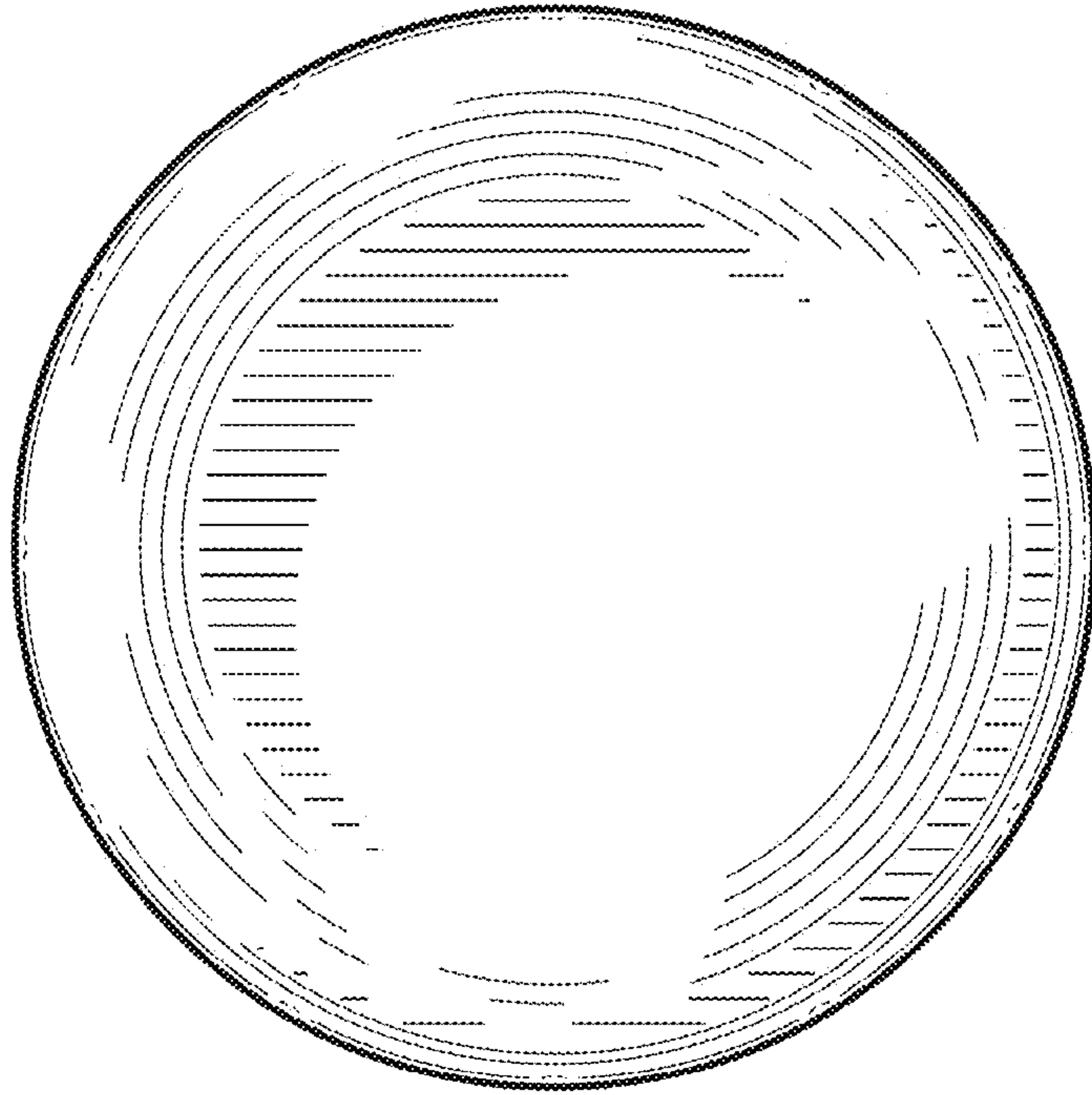


FIG. 15

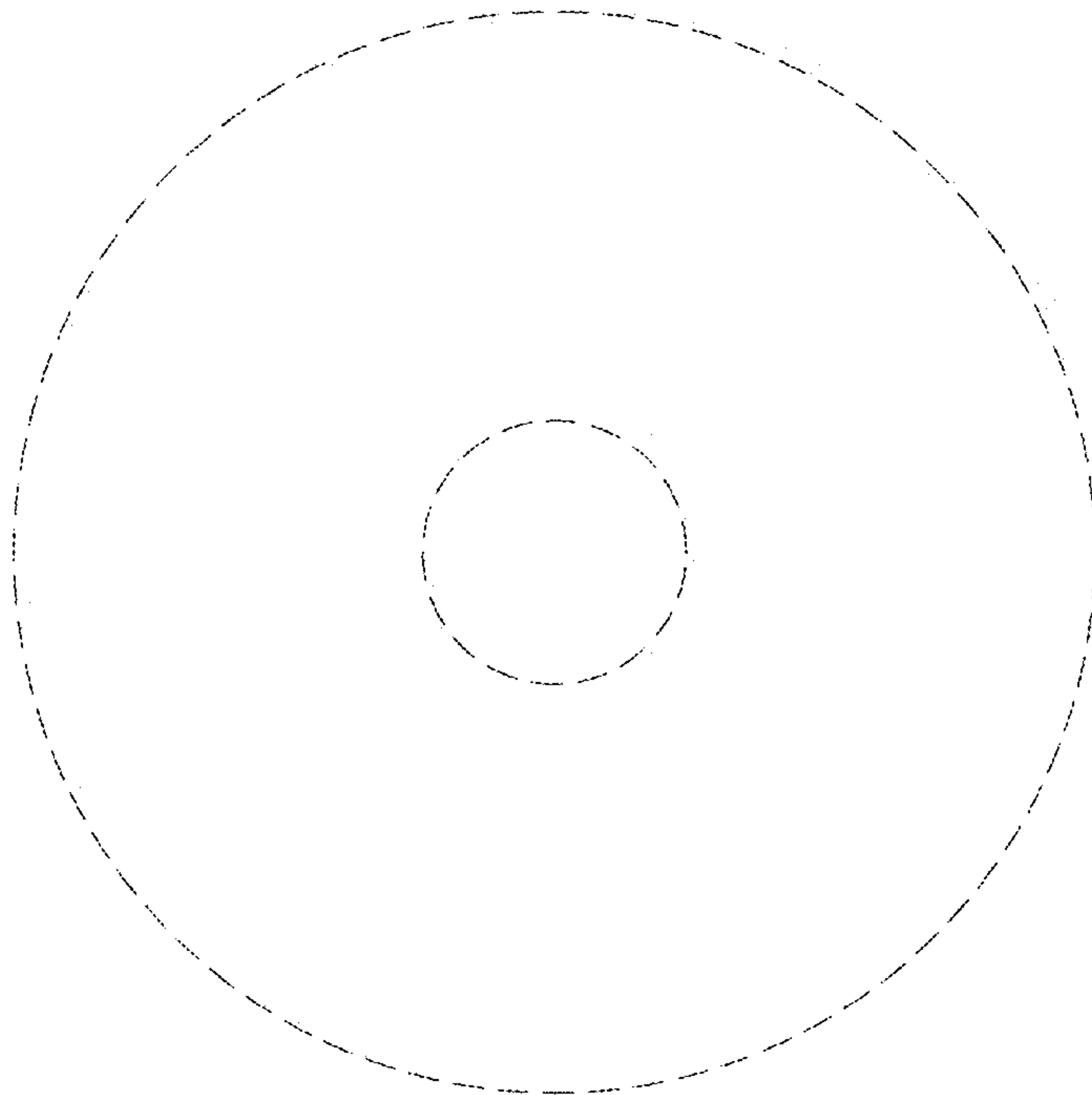


FIG. 16