



US00D893957S

(12) **United States Design Patent**
Mandel et al.

(10) **Patent No.:** **US D893,957 S**
(45) **Date of Patent:** **** Aug. 25, 2020**

- (54) **WINE BOTTLE HOLDER**
- (71) Applicants: **Hershel Mandel**, Highland Mills, NY (US); **Arnold Godinger**, Brooklyn, NY (US)
- (72) Inventors: **Hershel Mandel**, Highland Mills, NY (US); **Arnold Godinger**, Brooklyn, NY (US)
- (73) Assignee: **GODINGER SILVER ART, LTD.**, Ridgewood, NY (US)
- (**) Term: **15 Years**

- (21) Appl. No.: **29/675,972**
- (22) Filed: **Jan. 7, 2019**
- (51) **LOC (12) Cl.** **07-06**
- (52) **U.S. Cl.**
USPC **D7/619.1**
- (58) **Field of Classification Search**
USPC D7/619.1-625, 601; D28/18
CPC A47G 19/08; A47G 23/02; A47G 23/0241;
A47G 23/0266
See application file for complete search history.

(56) **References Cited**

U.S. PATENT DOCUMENTS

- 556,337 A * 3/1896 Dawes A47G 23/0266
248/145.6
- D35,126 S * 9/1901 Wagner D7/619.1
- 2,819,860 A * 1/1958 Orbach A47G 23/0241
248/128
- 2,925,235 A * 2/1960 Jaros A47G 23/0241
248/153

- D307,851 S * 5/1990 Polidoros D34/6
- 5,558,236 A * 9/1996 Williams A47G 19/08
211/133.6
- D391,122 S * 2/1998 Wu D6/678.4
- D511,438 S * 11/2005 Johnson D7/619.1
- D583,630 S * 12/2008 Goodman D7/619.1
- D601,300 S * 9/2009 Burk D28/18

* cited by examiner

Primary Examiner — Terry A Wallace

(74) *Attorney, Agent, or Firm* — Cozen O'Connor

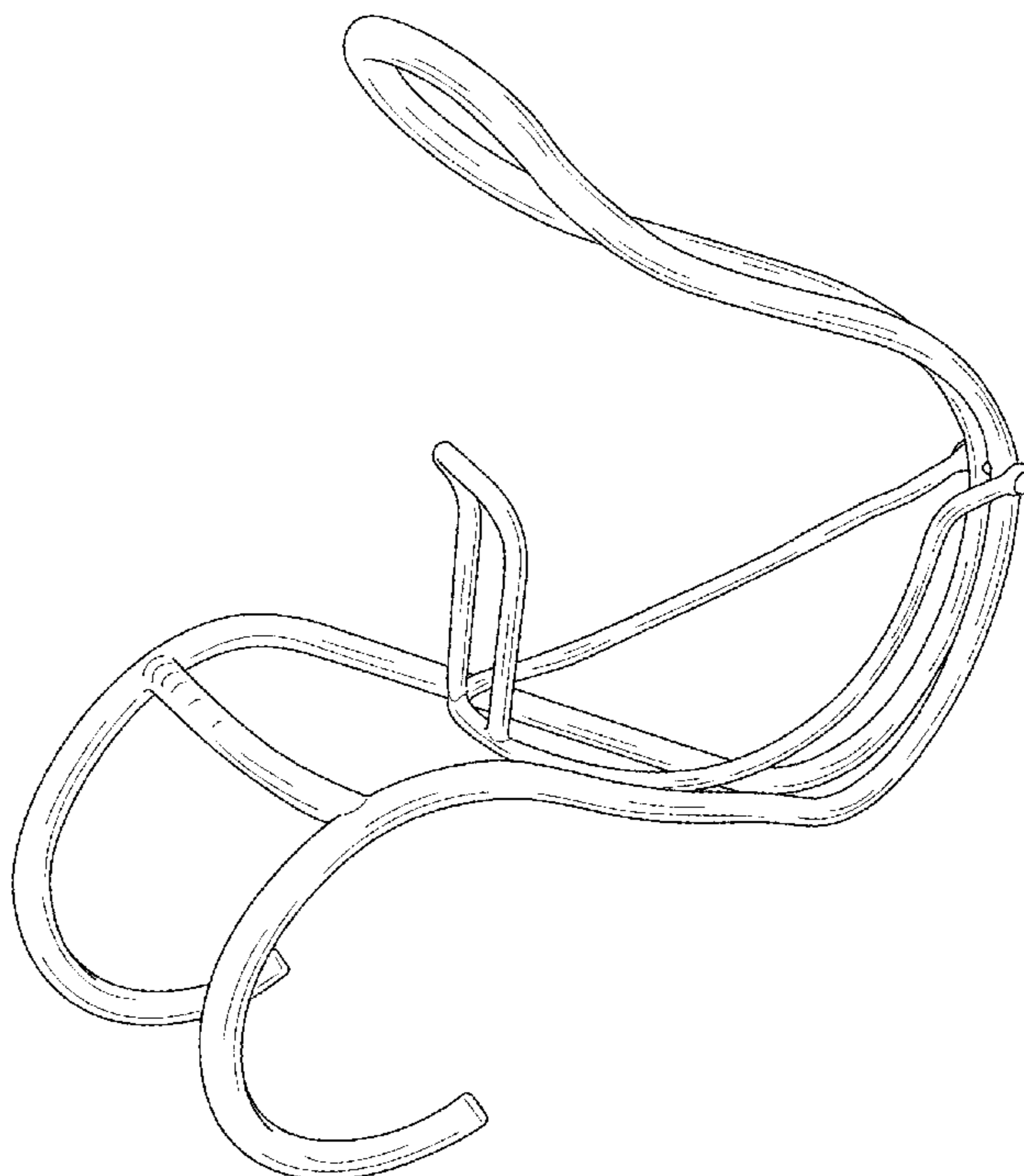
(57) **CLAIM**

The ornamental design for a wine bottle holder, as shown and described.

DESCRIPTION

FIG. 1 is a right-side perspective view of a wine bottle holder in accordance with the invention; FIG. 2 is a right-side plan view thereof; FIG. 3 is a left-side plan view thereof; FIG. 4 is a front view thereof; FIG. 5 is a rear view thereof; FIG. 6 is a top view thereof; FIG. 7 is a bottom view thereof; FIG. 8 is the view of FIG. 1 of the wine bottle holder, depicted with a wine bottle, shown in phantom, held thereby; FIG. 9 is a right-side plan view of FIG. 8; and, FIG. 10 is a side, perspective view of the wine bottle holder grasped by a user, wherein the wine bottle holder contains a wine bottle, shown in phantom. The portions of the drawings shown in phantom depict environment and do not constitute any portion of the claimed design.

1 Claim, 10 Drawing Sheets



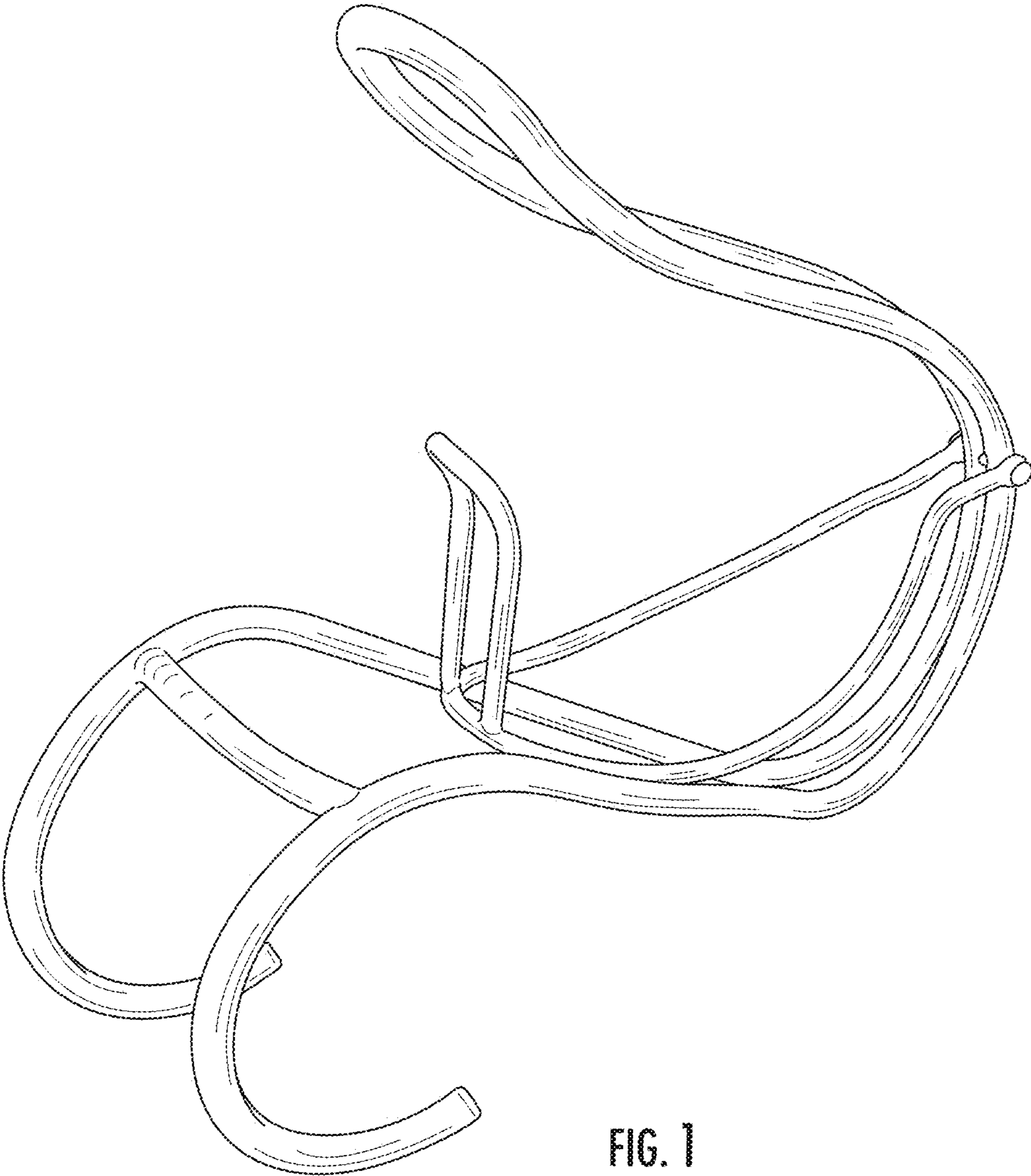




FIG. 2

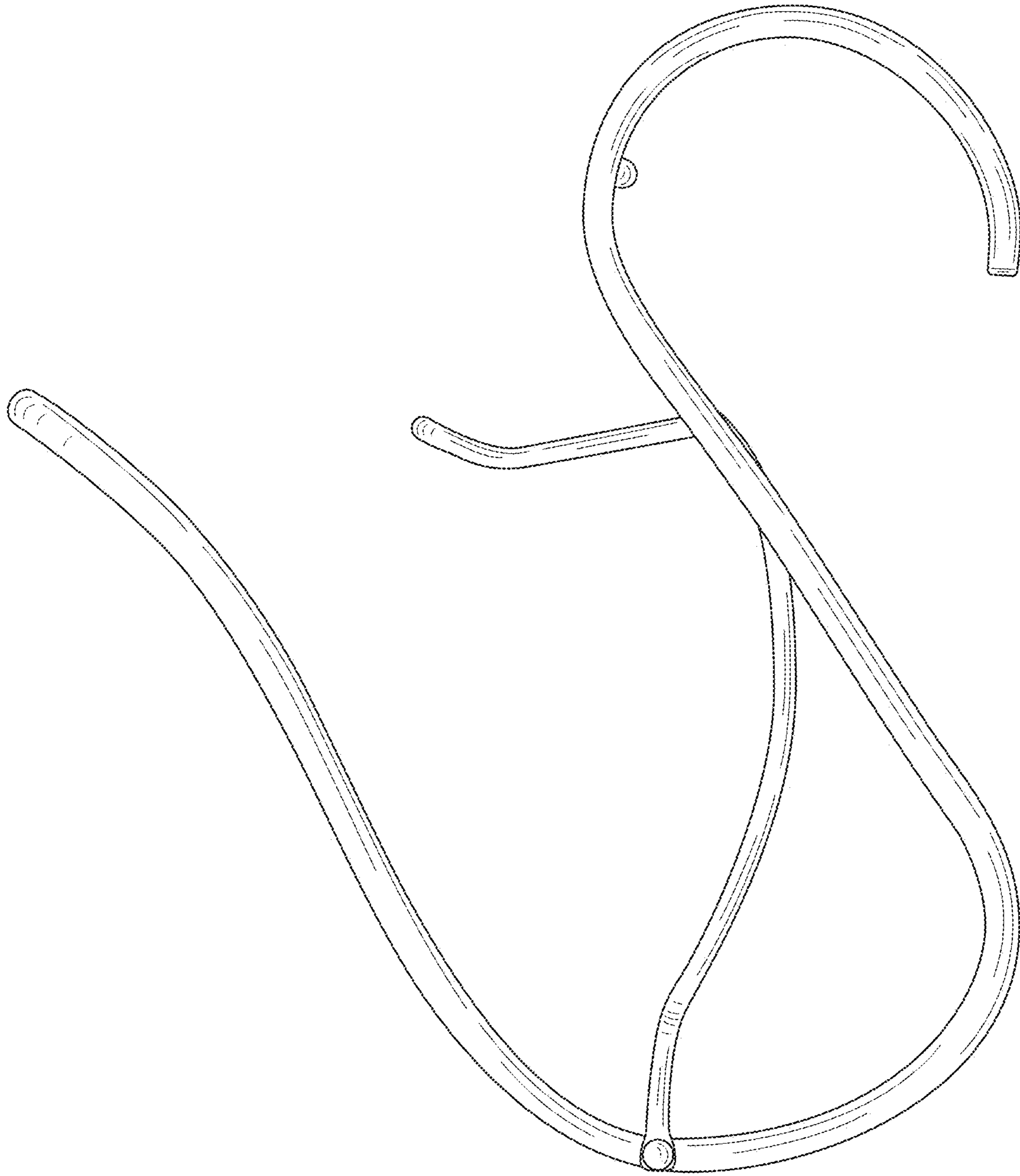


FIG. 3

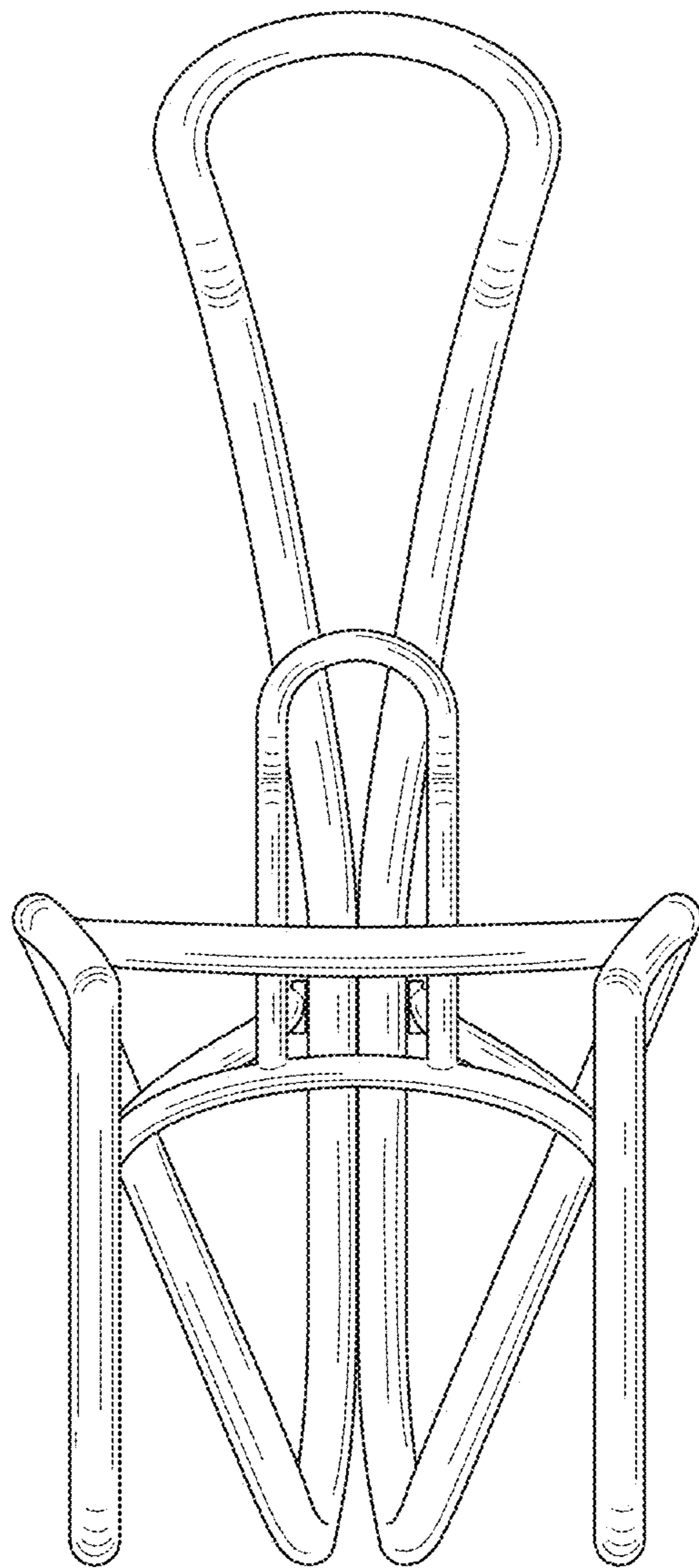


FIG. 4

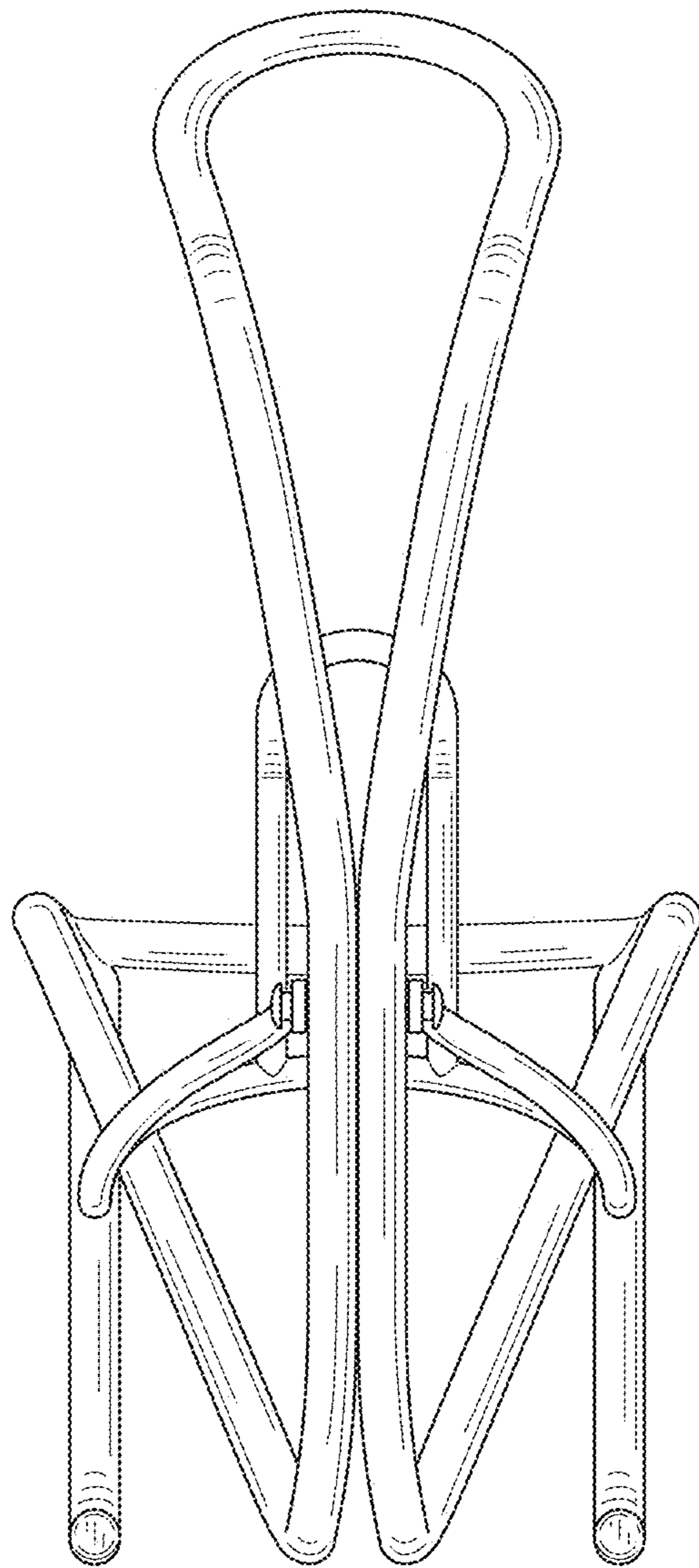


FIG. 5

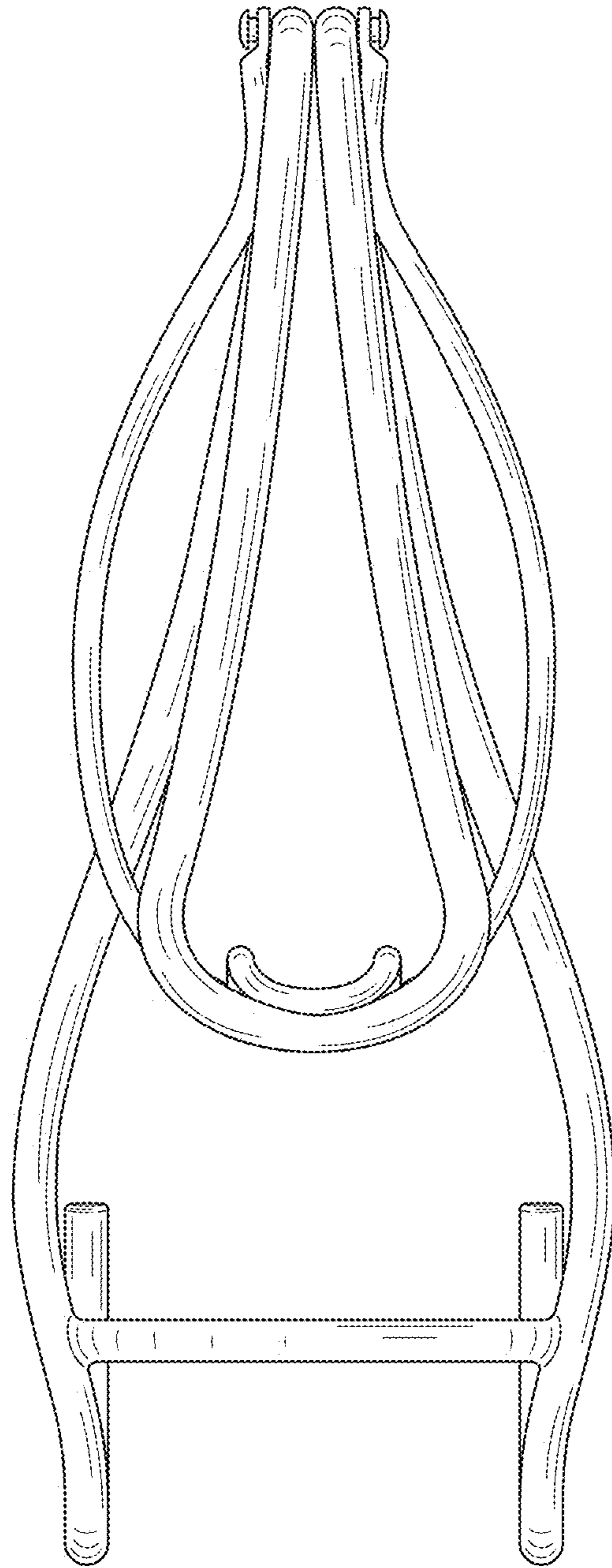


FIG. 6

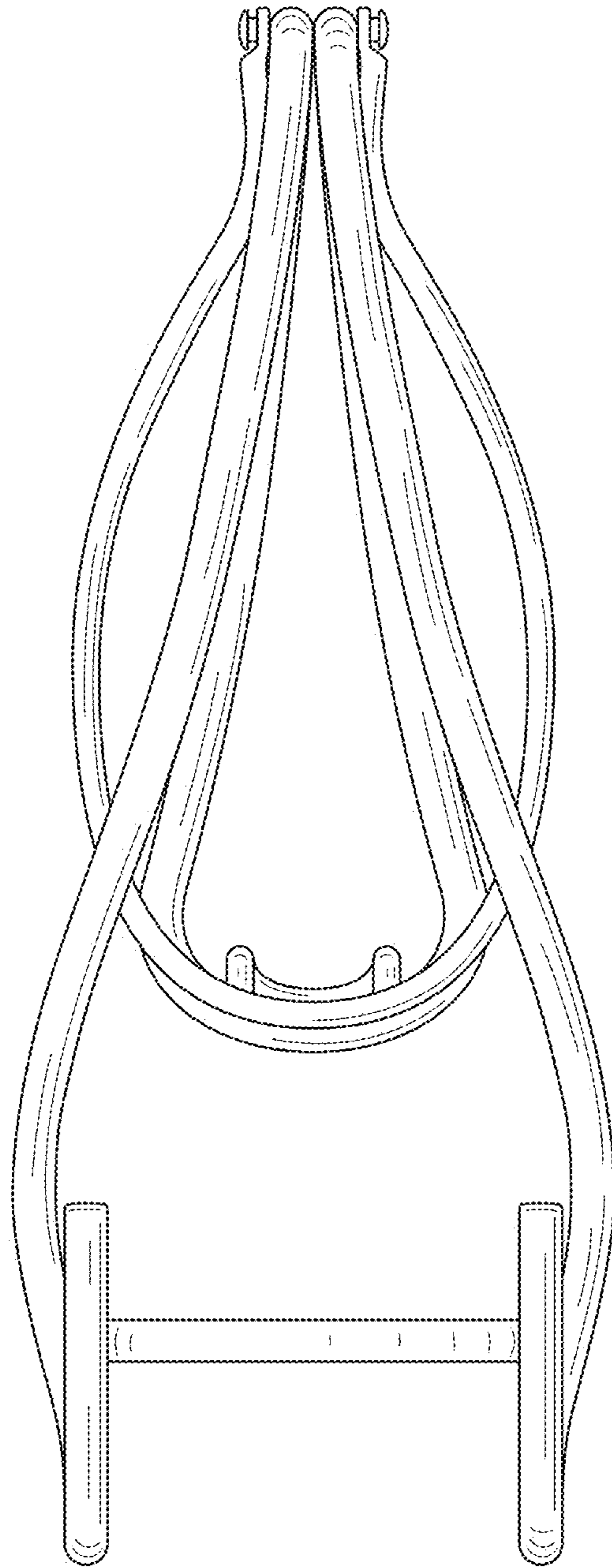


FIG. 7

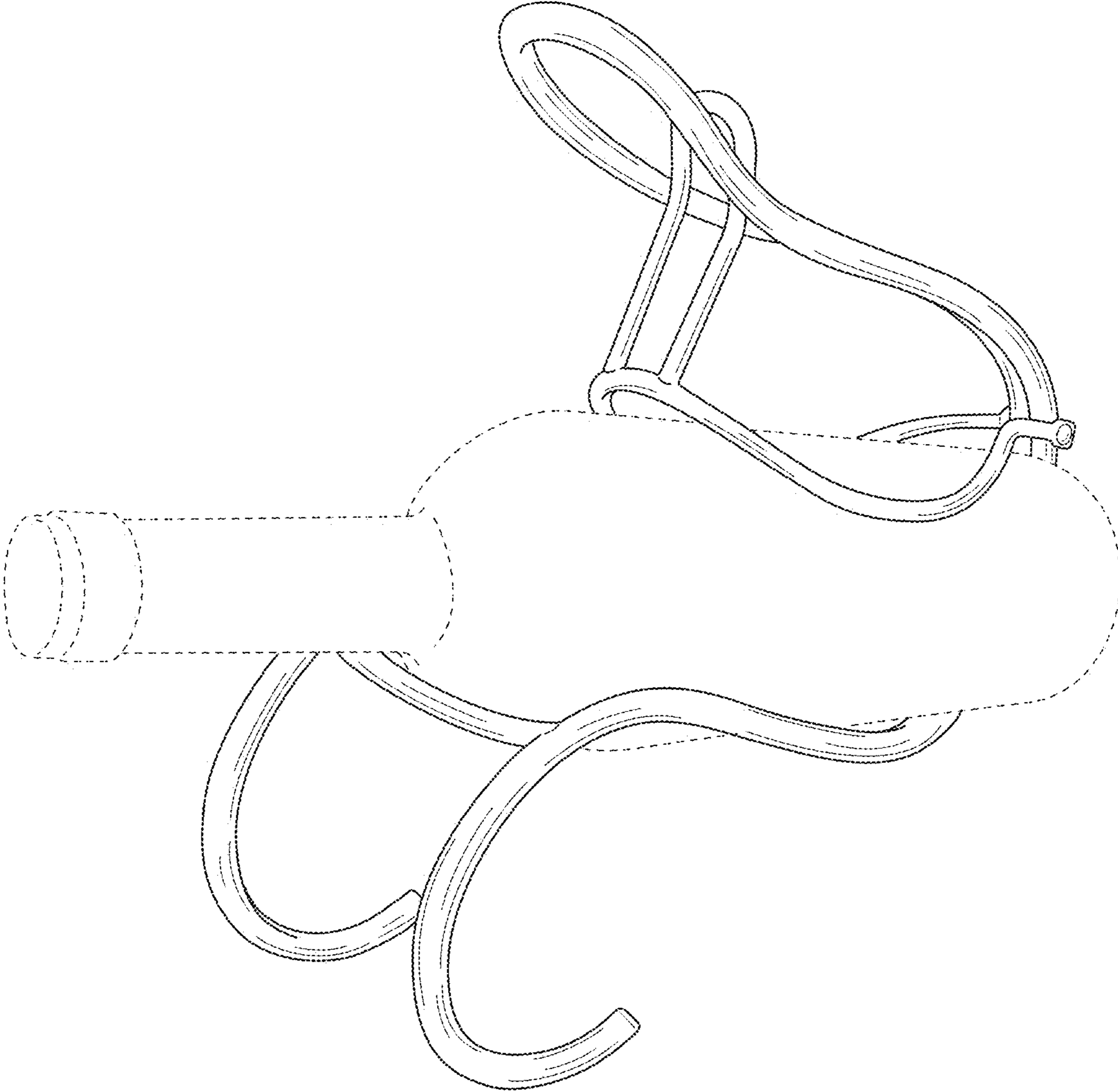


FIG. 8

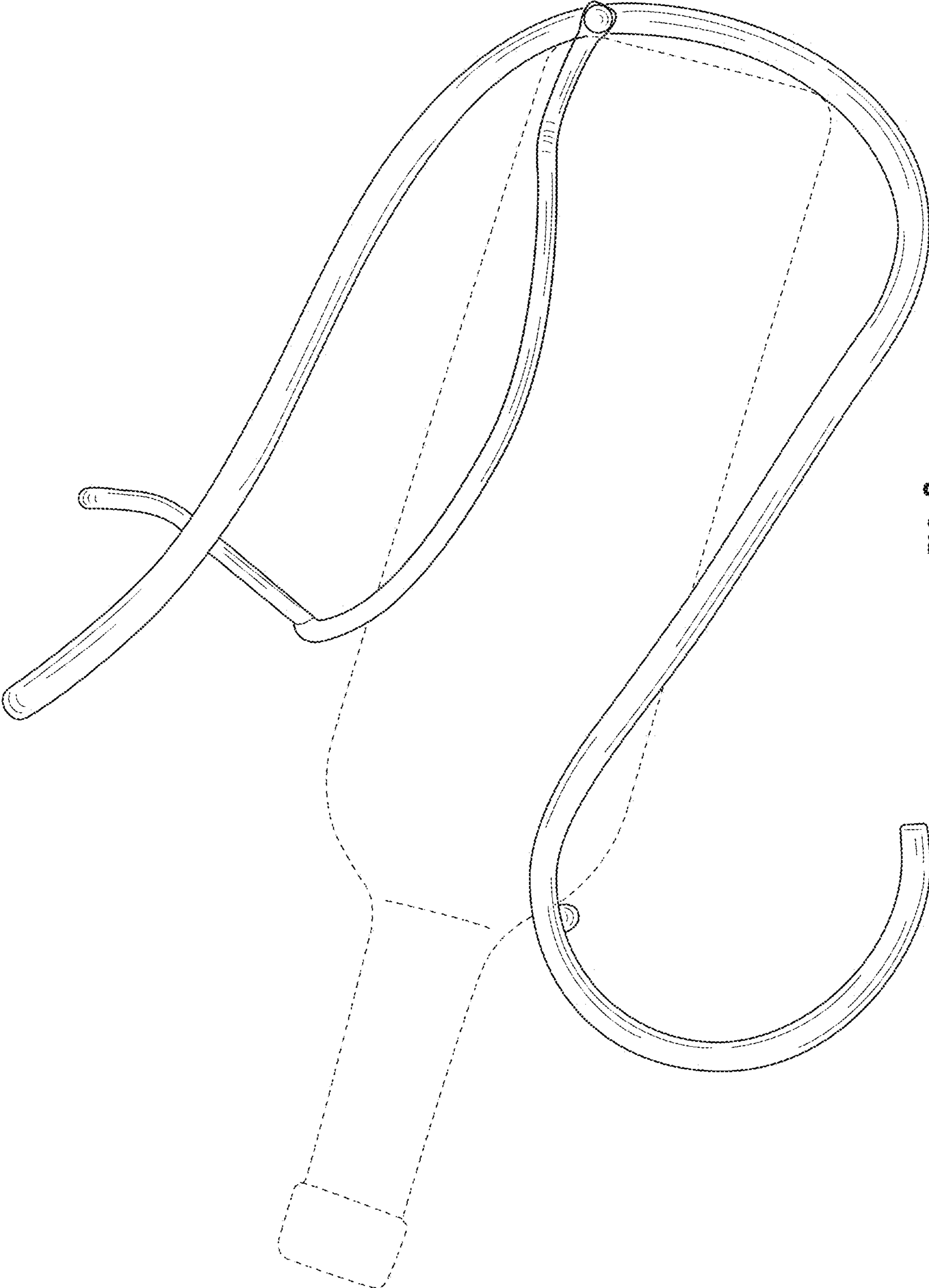


FIG. 9

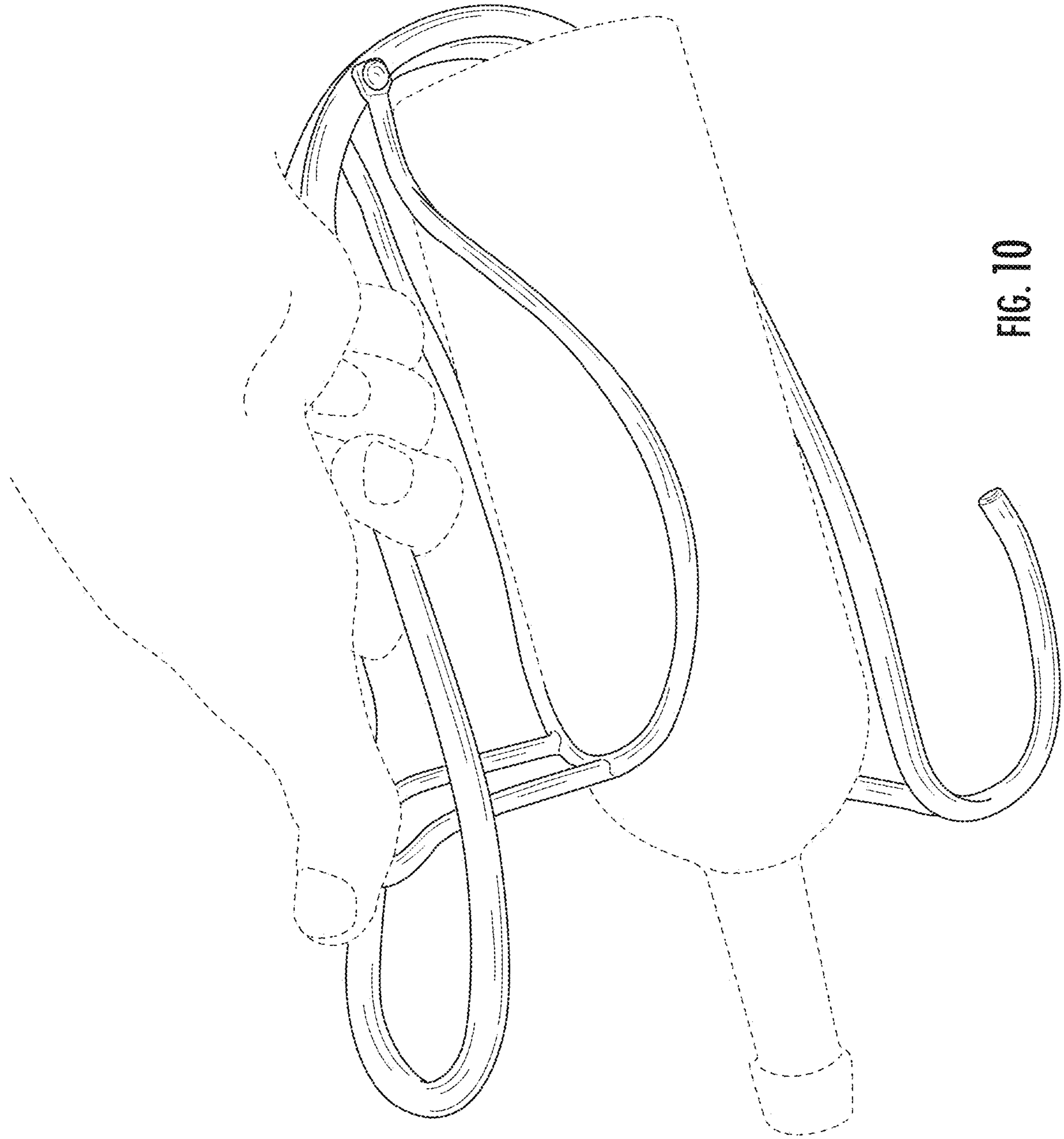


FIG. 10