



US00D893956S

(12) **United States Design Patent**
Wang

(10) **Patent No.:** **US D893,956 S**

(45) **Date of Patent:** **** Aug. 25, 2020**

(54) **WATER BOTTLE**

(71) Applicant: **Shen Zhen Xin Yue Tang Plastic & Hardware Co., Ltd, Shenzhen (CN)**

(72) Inventor: **Chunlei Wang, Shenzhen (CN)**

(73) Assignee: **SHEN ZHEN XIN YUE TANG PLASTIC & HARDWARE CO., LTD, Shenzhen (CN)**

(**) Term: **15 Years**

(21) Appl. No.: **29/673,973**

(22) Filed: **Dec. 19, 2018**

(30) **Foreign Application Priority Data**

Oct. 29, 2018 (CN) 2018 3 0605051

(51) **LOC (12) Cl.** **07-01**

(52) **U.S. Cl.**

USPC **D7/536; D7/511; D7/531; D9/531**

(58) **Field of Classification Search**

USPC D7/507, 509, 510, 511, 529, 531, 532, D7/523, 533, 534, 535, 536, 392.1, 296.1, D7/396.2; D9/531, 503, 516, 517, 435; D3/202

CPC A47G 19/22; A47G 19/2288; A47G 19/2205; A47G 19/2266; A45F 3/16

See application file for complete search history.

(56) **References Cited**

U.S. PATENT DOCUMENTS

D275,734 S * 10/1984 Voice D9/531
5,092,475 A * 3/1992 Krishnakumar B65D 1/0223
215/381

D563,791 S * 3/2008 Kleckauskas D9/531

D596,459 S *	7/2009	Ghiassi	D7/510
D605,946 S *	12/2009	Manderfield, Jr.	D9/531
D659,473 S *	5/2012	Ghiassi	D7/510
D805,846 S *	12/2017	Kirkpatrick	D7/510
D816,410 S *	5/2018	Yu	D7/510
D824,768 S *	8/2018	Shirley	D9/538
D838,598 S *	1/2019	Melkonian	D9/531
D871,845 S *	1/2020	Huang	D7/510
D874,939 S *	2/2020	Janeczek	D9/531
D881,647 S *	4/2020	Wang	D7/510

OTHER PUBLICATIONS

https://www.amazon.com/BOTTLED-JOY-Hydration-Motivational-Leak-Proof/dp/B07C125Q9S/ref=sr_1_4?dchild=1&keywords=one+gallon+water+bottle+with+lug+handle&qid=1592247803&sr=8-4
(Year: 2019).*

* cited by examiner

Primary Examiner — Jae Liang

(74) *Attorney, Agent, or Firm* — Bayramoglu Law Offices LLC

(57) **CLAIM**

The ornamental design for a water bottle, as shown and described.

DESCRIPTION

FIG. 1 is a top perspective view of a water bottle showing my new design;

FIG. 2 is a front elevation view thereof;

FIG. 3 is a rear elevation view thereof;

FIG. 4 is a left elevation view thereof;

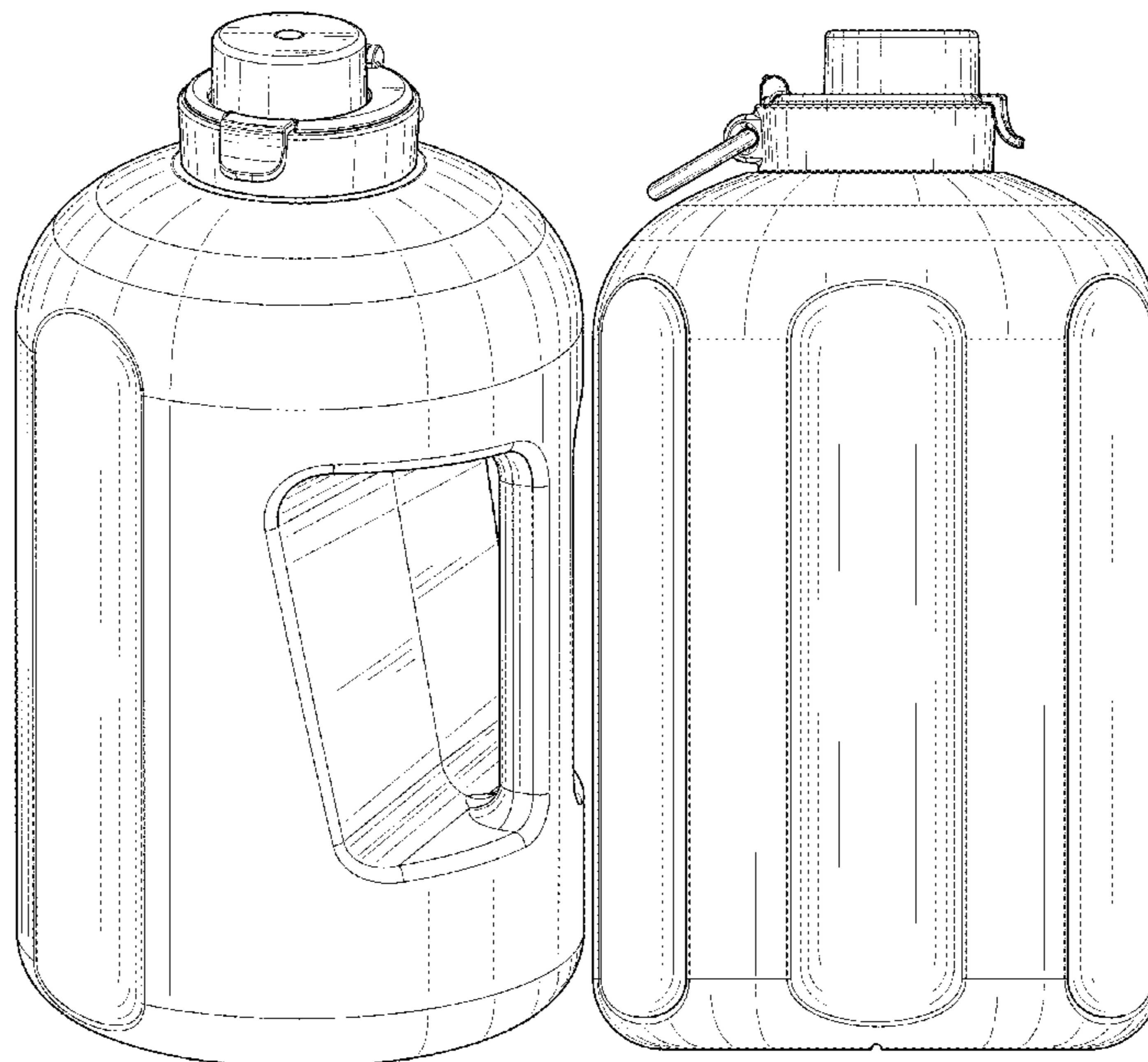
FIG. 5 is a right elevation view thereof;

FIG. 6 is a top plan view thereof;

FIG. 7 is a bottom plan view thereof; and,

FIG. 8 is a bottom perspective view thereof.

1 Claim, 8 Drawing Sheets



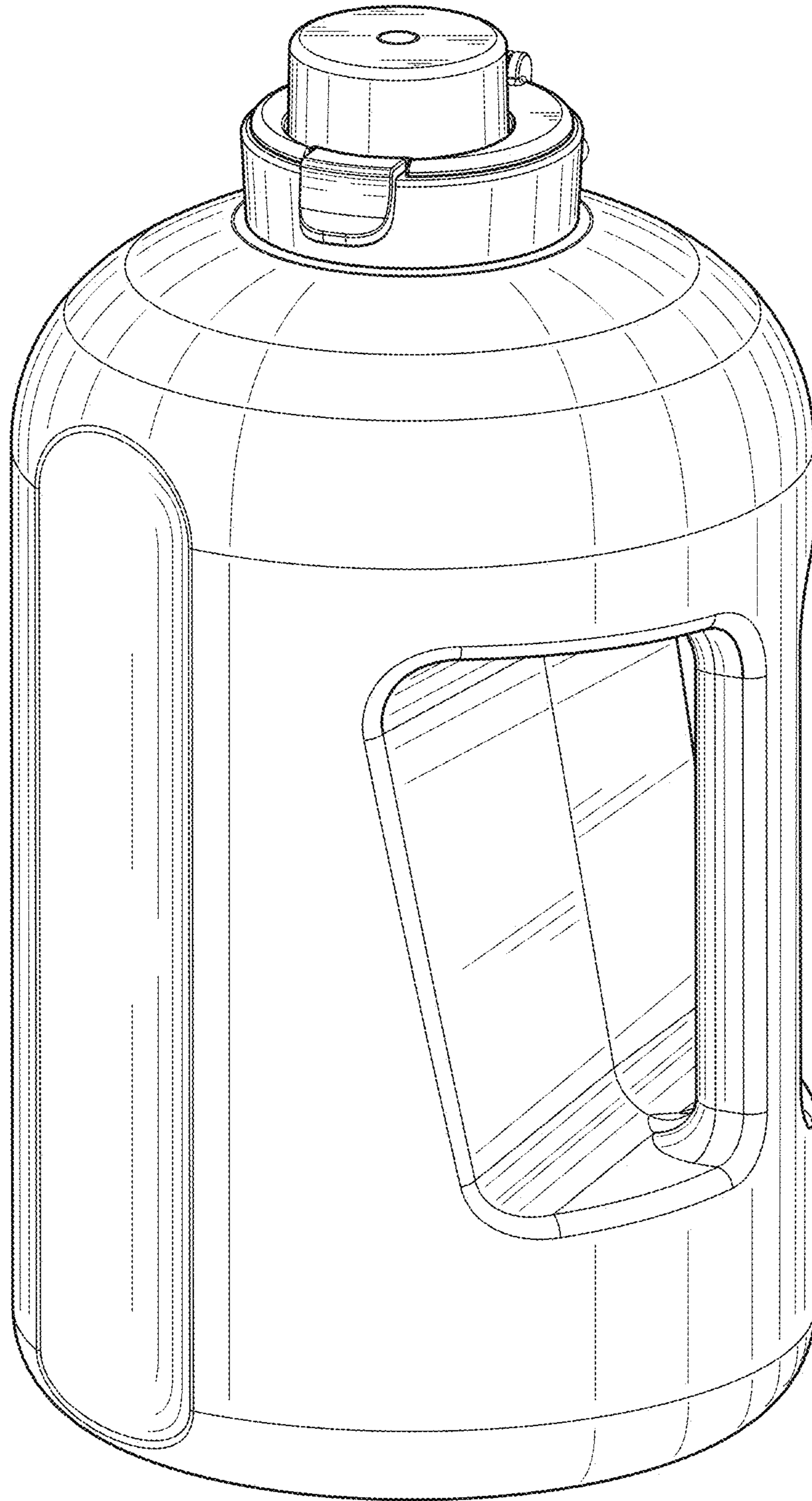


Fig. 1

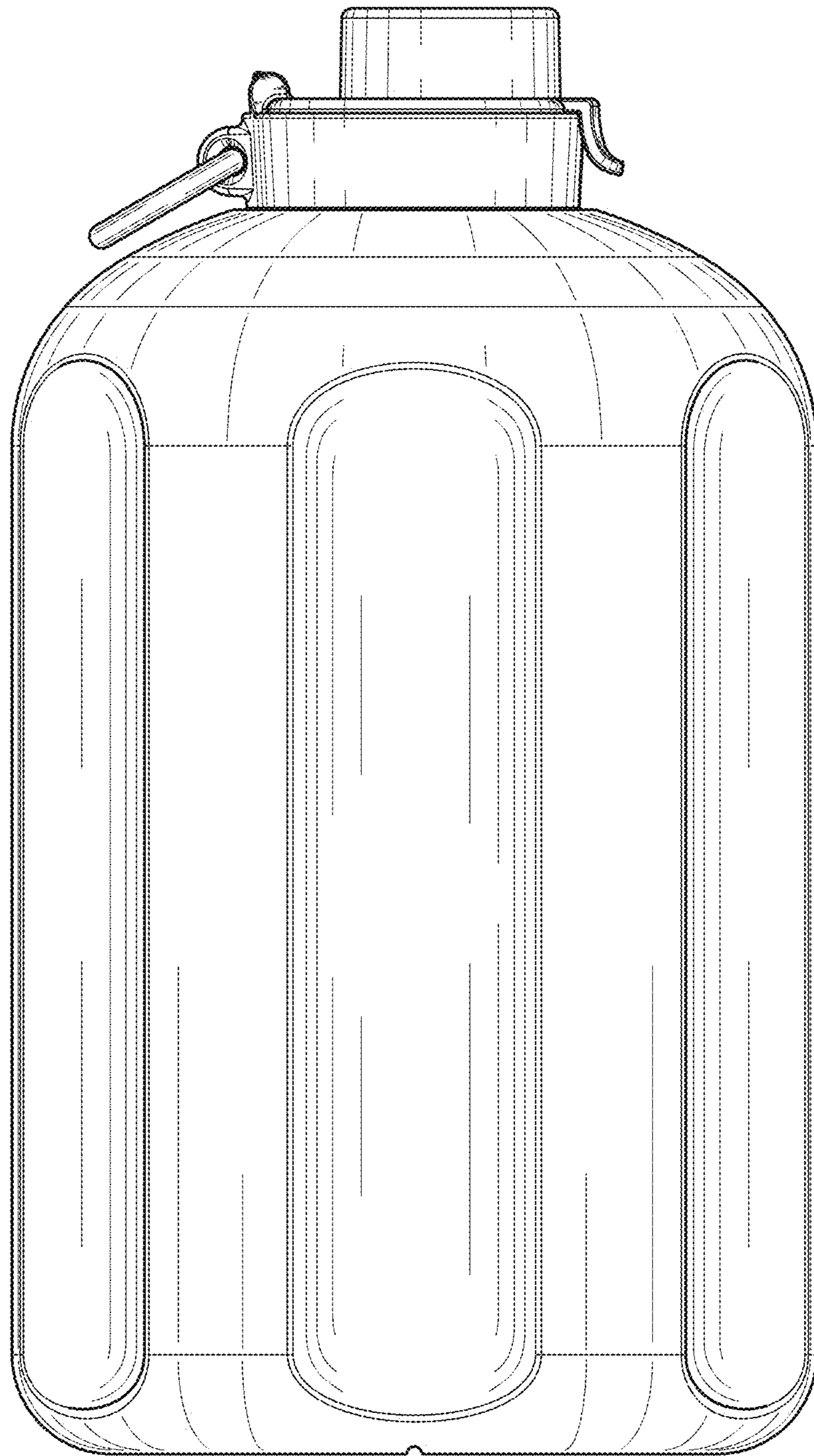


Fig. 2

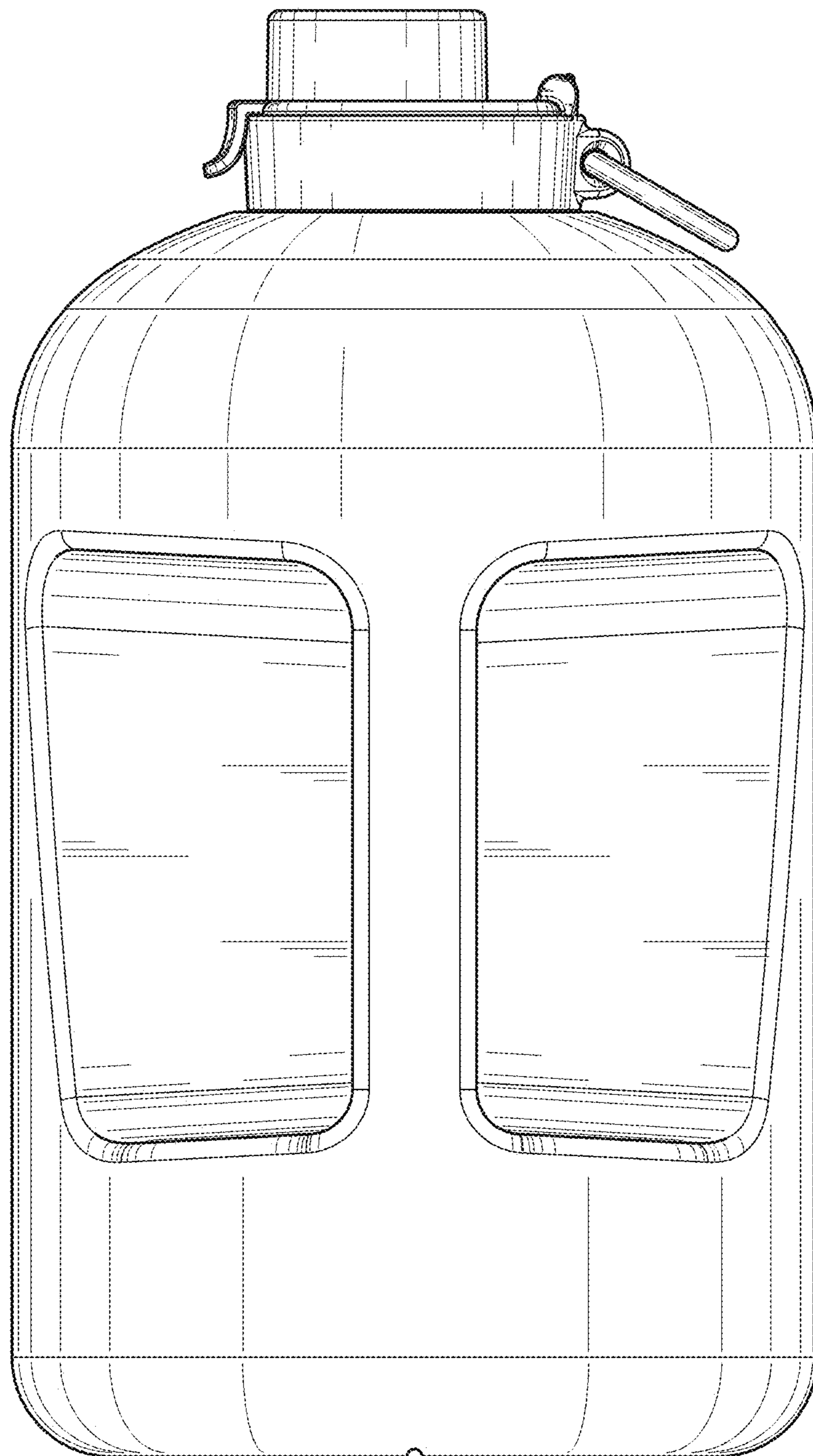


Fig. 3

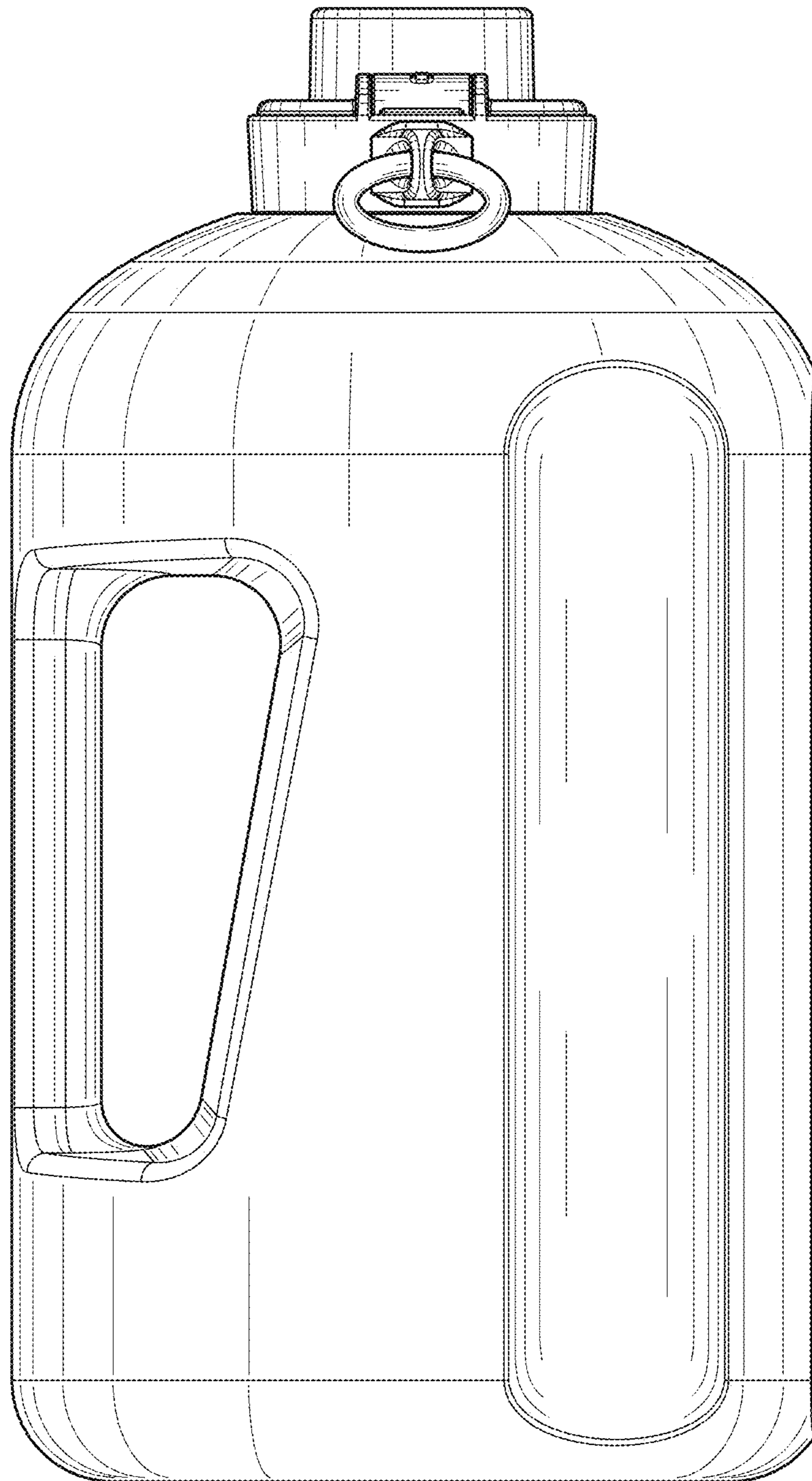


Fig. 4

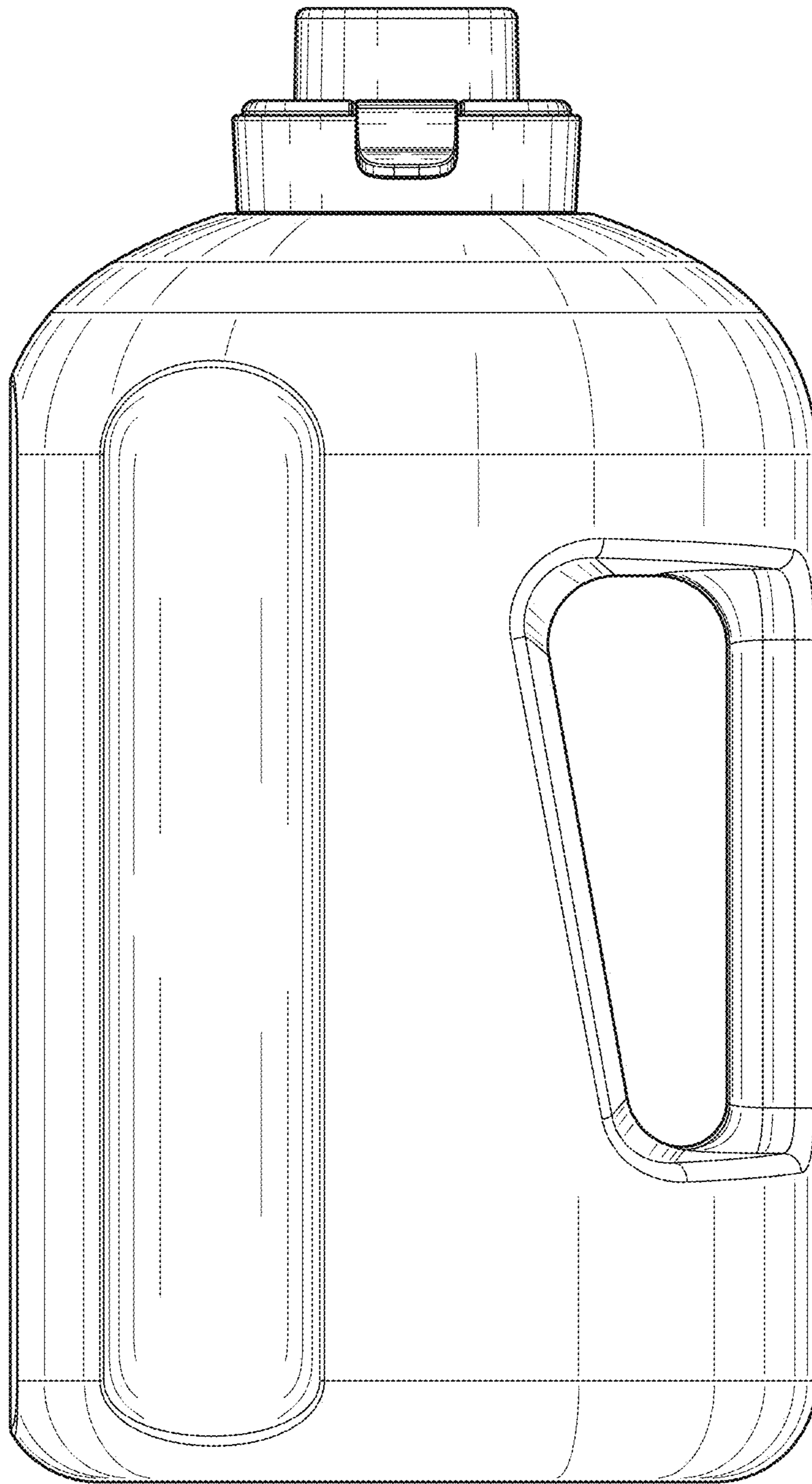


Fig. 5

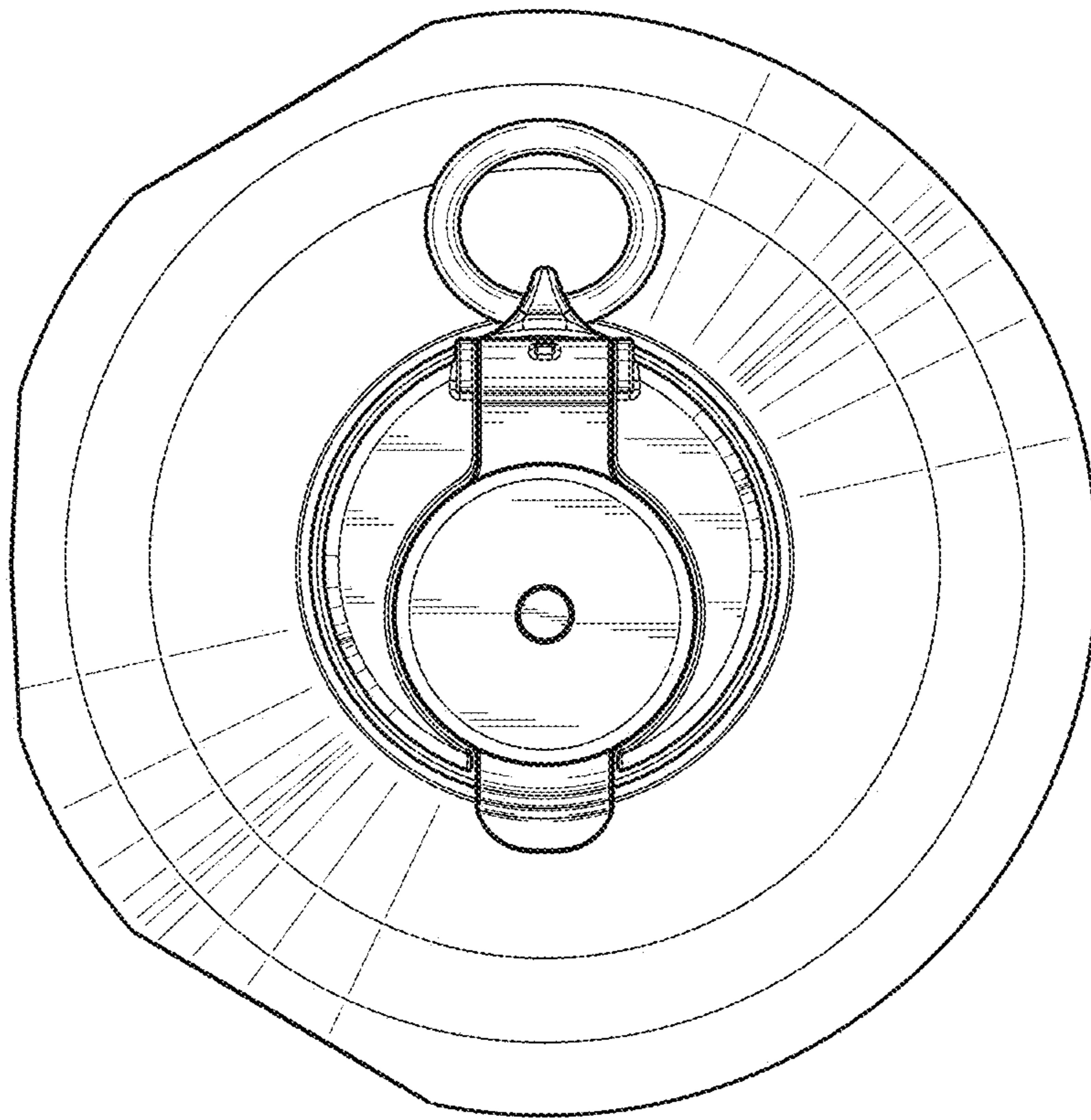


Fig. 6

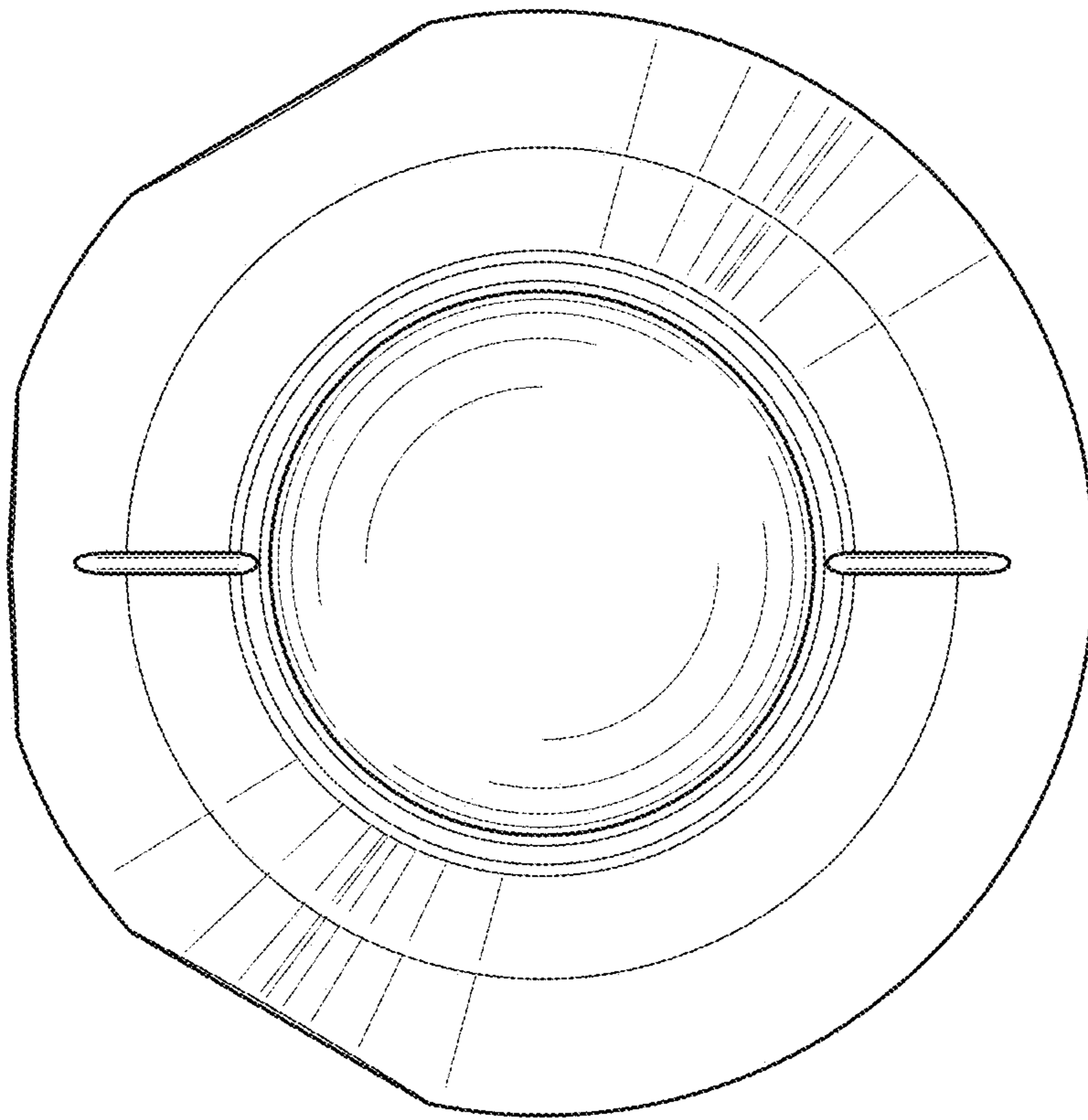


Fig. 7

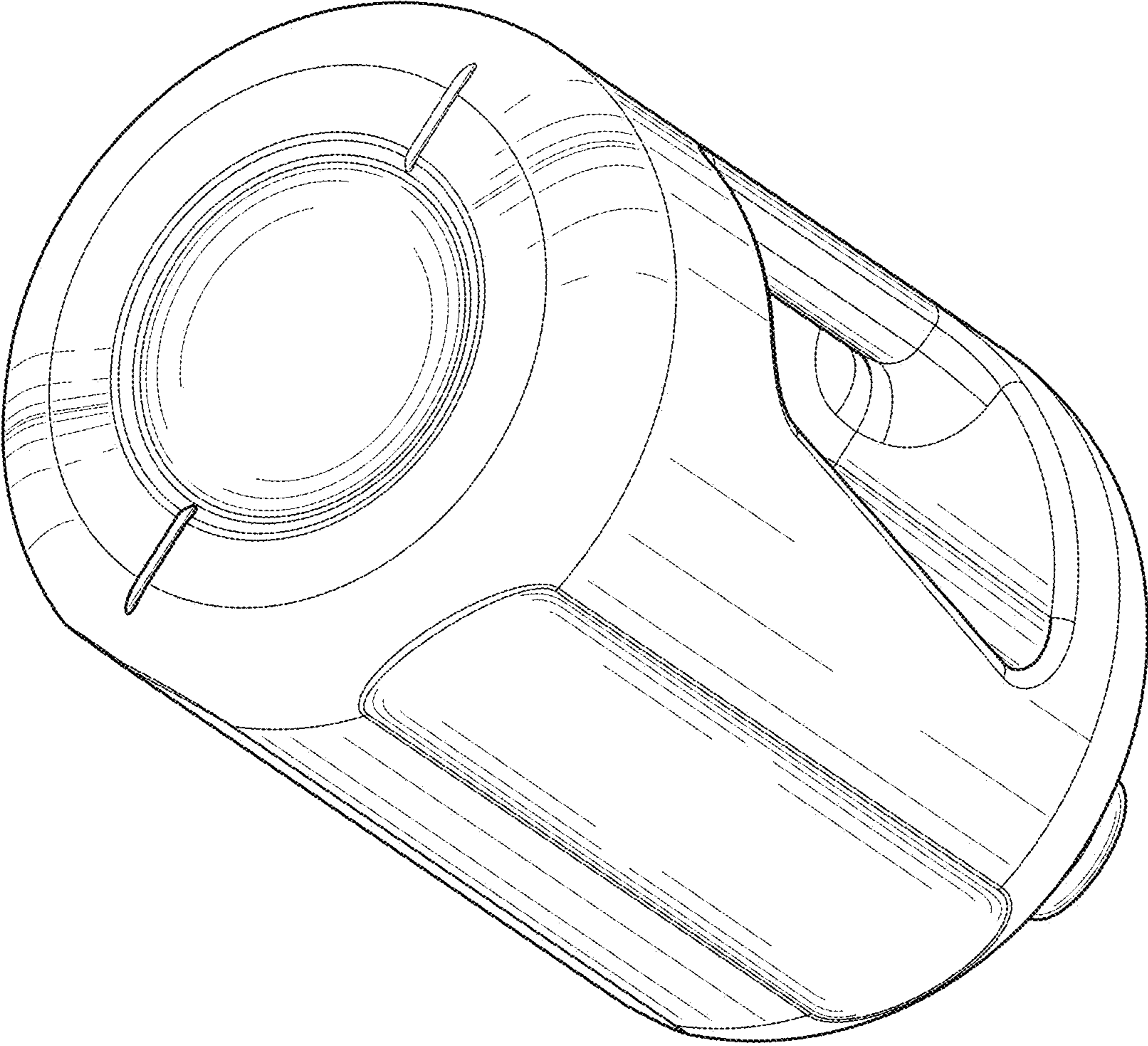


Fig. 8