



US00D893952S

(12) **United States Design Patent**  
**Jenkins et al.**

(10) **Patent No.:** **US D893,952 S**  
(45) **Date of Patent:** **\*\* Aug. 25, 2020**

(54) **BOTTLE**

(71) Applicant: **PLAN D PARTNERS, INC.**, Los Angeles, CA (US)

(72) Inventors: **Jedidiah Jenkins**, Los Angeles, CA (US); **Michael Szewczyk**, New York, NY (US)

(73) Assignee: **PLAN D PARTNERS, INC.**, Los Angeles, CA (US)

(\*\*) Term: **15 Years**

(21) Appl. No.: **29/678,837**

(22) Filed: **Jan. 31, 2019**

(51) **LOC (12) Cl.** ..... **07-01**

(52) **U.S. Cl.**

USPC ..... **D7/510**

(58) **Field of Classification Search**

USPC ..... D7/510, 509, 524, 608, 511, 523, 396.2, D7/584, 533, 536, 532, 394, 505, 598, D7/302, 515, 516, 577, 396.4, 601, 602, D7/619.1, 624.1, 624.2, 624.3; D9/425, D9/716, 503, 505; D24/197, 198; 220/371, 200

CPC ..... A47G 19/2205; A23F 5/243; A45F 3/16; A45F 3/18; B65D 1/265; B65D 1/0223; B65D 23/00; B65D 47/243; B65D 39/16; A44C 25/007; A61J 9/00

See application file for complete search history.

(56) **References Cited**

**U.S. PATENT DOCUMENTS**

81,728 A \* 9/1868 Autenrieth ..... A45F 3/18  
171,606 A \* 12/1875 Flanagan ..... B65D 39/16  
D7/511  
182,064 A \* 9/1876 Gibbons ..... B65D 1/0246  
183,709 A \* 10/1876 Saunders ..... B65D 39/16  
D3/202

(Continued)

**FOREIGN PATENT DOCUMENTS**

CH 279583 A \* 12/1951 ..... D65D 39/16  
DE 818911 C \* 10/1951 ..... B65D 39/16

(Continued)

**OTHER PUBLICATIONS**

Klean Kanteen, "Klean Kanteen Classic Single Wall Stainless Steel Water Bottle with Leak Proof Loop Cap," Oct. 4, 2014, www.amazon.com/Klean-Kanteen-27oz-Classic/dp/B0093IRLWU (Year: 2014).\*

(Continued)

*Primary Examiner* — Shannon W Morgan

*Assistant Examiner* — Arva P Adams

(74) *Attorney, Agent, or Firm* — Epstein Drangel LLP; Robert L. Epstein

(57) **CLAIM**

The ornamental design for a bottle, substantially as shown and described.

**DESCRIPTION**

FIG. 1 is a perspective view of the design for a bottle showing the top, front and right side thereof;

FIG. 2 is a perspective view of the design showing the bottom, rear and left side thereof;

FIG. 3 is an elevation view of the front thereof, with the rear being an identical mirror of FIG. 3;

FIG. 4 is an elevation view of the left side thereof, with the right side being an identical mirror of FIG. 4;

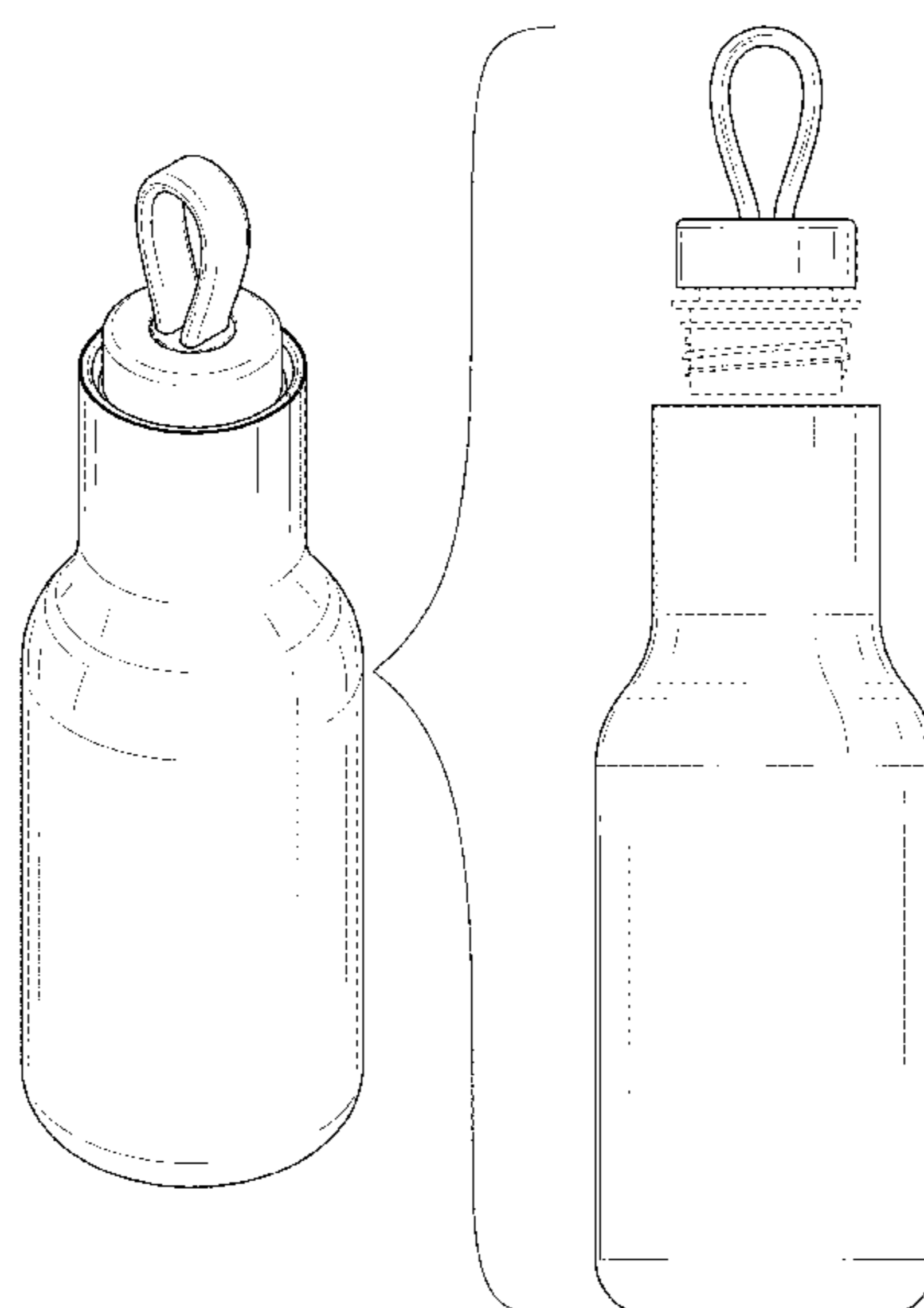
FIG. 5 is a top plan view thereof;

FIG. 6 is a bottom plan view thereof; and,

FIG. 7 is an elevation view of the left side thereof, showing the cap of the bottle separated.

The broken lines showing portions of the bottle form no part of the claimed design.

**1 Claim, 5 Drawing Sheets**



(56)

References Cited

U.S. PATENT DOCUMENTS

252,006 A \* 1/1882 Aldom ..... B65D 39/16  
D9/439  
342,089 A \* 5/1886 Hanson ..... B65D 39/16  
D9/443  
351,680 A \* 10/1886 Wilson ..... B65D 39/16  
D7/510  
508,367 A \* 11/1893 Butts ..... A45F 3/16  
D7/510  
1,061,829 A \* 5/1913 Evans ..... A45F 3/16  
215/329  
1,434,342 A \* 10/1922 Holmes ..... B65D 39/16  
215/299  
2,003,460 A \* 6/1935 Paull ..... B65D 39/16  
D9/443  
2,582,269 A \* 1/1952 Oftedahl ..... B65D 39/16  
215/299  
D247,392 S \* 2/1978 Coleman ..... D3/202  
D413,262 S \* 8/1999 Cardinaletti ..... B65D 51/242  
D9/439  
D422,503 S \* 4/2000 Lehn ..... A45F 3/16  
D7/511  
D539,607 S \* 4/2007 Lapsker ..... D7/510  
D542,598 S \* 5/2007 Karp ..... A45F 3/16  
D7/510  
D614,918 S \* 5/2010 Chisholm ..... G01F 11/00  
D7/510  
D616,743 S \* 6/2010 Cresswell ..... G01F 11/00  
D9/443  
D621,257 S \* 8/2010 Gullickson ..... G01F 11/00  
D9/443  
D621,258 S \* 8/2010 Gullickson ..... B65D 39/16  
D9/443  
D627,601 S \* 11/2010 Eyal ..... B65D 51/242  
D7/510  
D664,809 S \* 8/2012 Eyal ..... A45F 3/18  
D7/510  
D672,609 S \* 12/2012 Aziz ..... D7/507  
D675,100 S \* 1/2013 Herbst ..... B65D 1/0246  
D7/511

D693,170 S \* 11/2013 Rosbach ..... D7/392.1  
D711,178 S \* 8/2014 Waugh ..... B65D 1/0246  
D3/202  
D724,385 S \* 3/2015 Hurley ..... G01F 11/00  
D7/511  
D753,442 S \* 4/2016 Weernink ..... B65D 39/16  
D7/507  
D796,261 S \* 9/2017 Khalifa ..... B65D 39/16  
D7/392.1  
D811,818 S \* 3/2018 Wu ..... A45F 3/18  
D7/510  
D812,428 S \* 3/2018 Wu ..... D7/510  
2008/0179274 A1 \* 7/2008 Cheng ..... A45F 3/16  
215/329  
2011/0297678 A1 \* 12/2011 Lane ..... B65D 51/242  
220/212  
2016/0003615 A1 \* 1/2016 Biswas ..... G01F 11/00  
702/151  
2017/0007010 A1 \* 1/2017 Dybvig ..... B65D 39/16

FOREIGN PATENT DOCUMENTS

DE 853394 C \* 10/1952 ..... D65D 39/16  
DE 902350 C \* 1/1954 ..... D65D 39/16  
FR 688849 A \* 8/1930 ..... B65D 39/16  
FR 851727 A \* 1/1940 ..... B65D 39/16  
GB 191227844 A \* 11/1913 ..... B65D 39/16  
GB 506312 \* 5/1939 ..... B65D 39/16  
GB 693094 A \* 6/1953 ..... B65D 39/16  
RU 182611 U1 \* 8/2018 ..... A53B 23/00  
WO WO-2012108948 A2 \* 1/2012 ..... D65D 55/16

OTHER PUBLICATIONS

Chef's Star, "Chef's Star Glass Water Bottle 6 Pack," Oct. 7, 2015, Amazon.com, [www.amazon.com/dp/B016APS3CU](http://www.amazon.com/dp/B016APS3CU) (Year: 2015).\*  
Emoi, "Emoi 16oz Water Bottle," Nov. 28, 2016, Amazon.com, [www.amazon.com/emoi-Insulated-Leakproof-Students-Friendly/dp/B01N1LOXPX](http://www.amazon.com/emoi-Insulated-Leakproof-Students-Friendly/dp/B01N1LOXPX) (Year: 2016).\*

\* cited by examiner

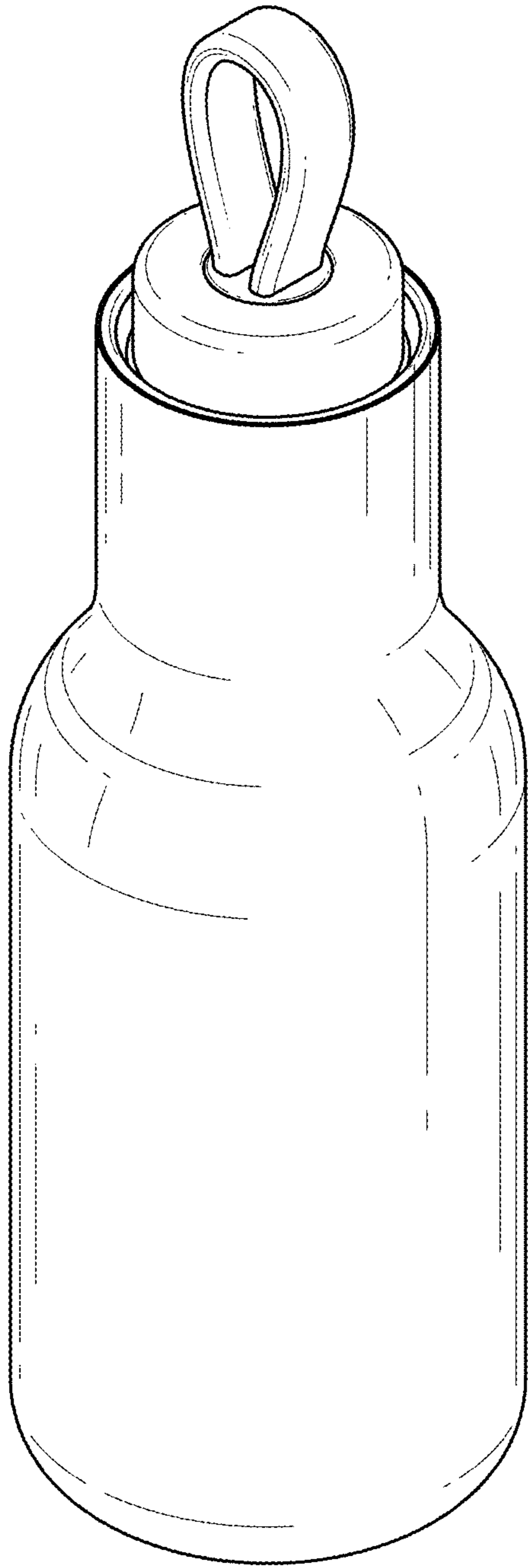


FIG. 1



FIG. 2

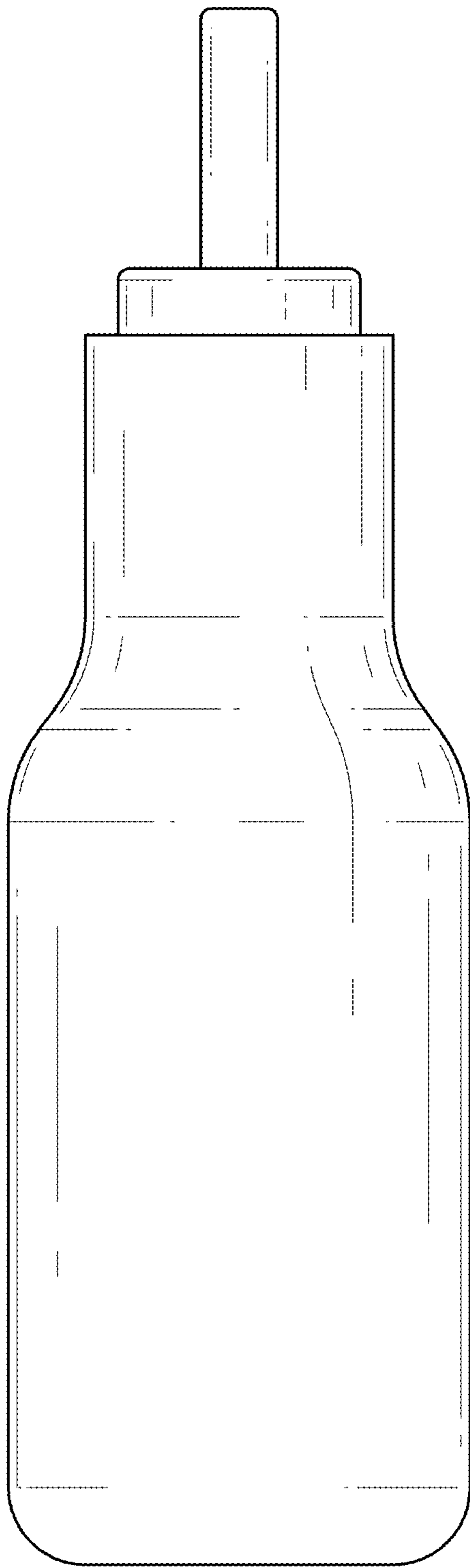


FIG. 3

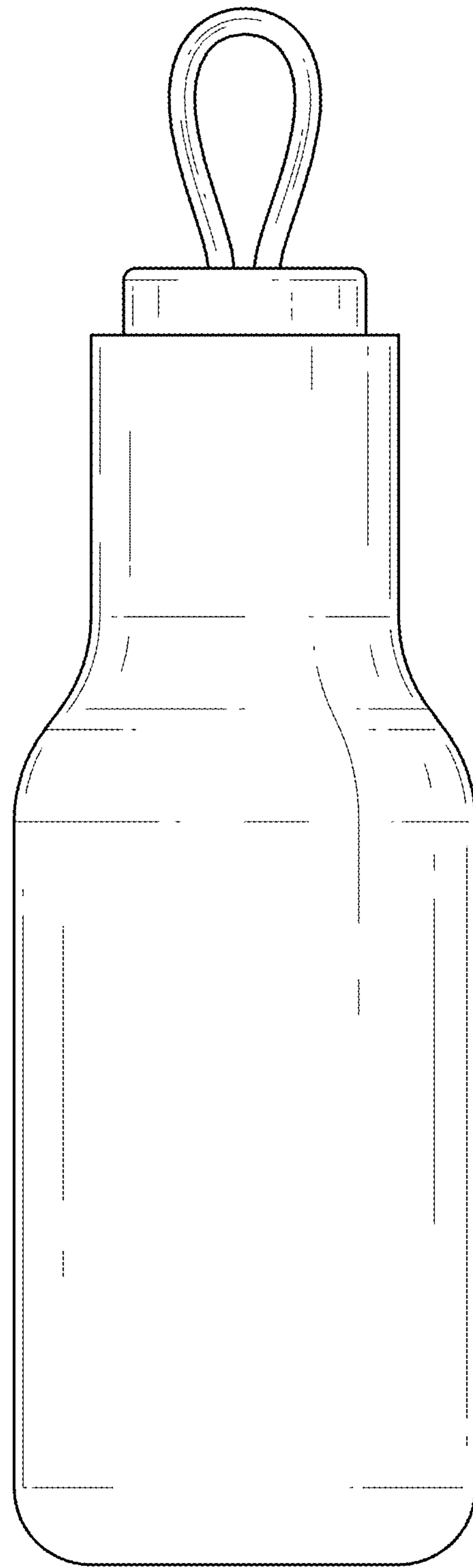


FIG. 4

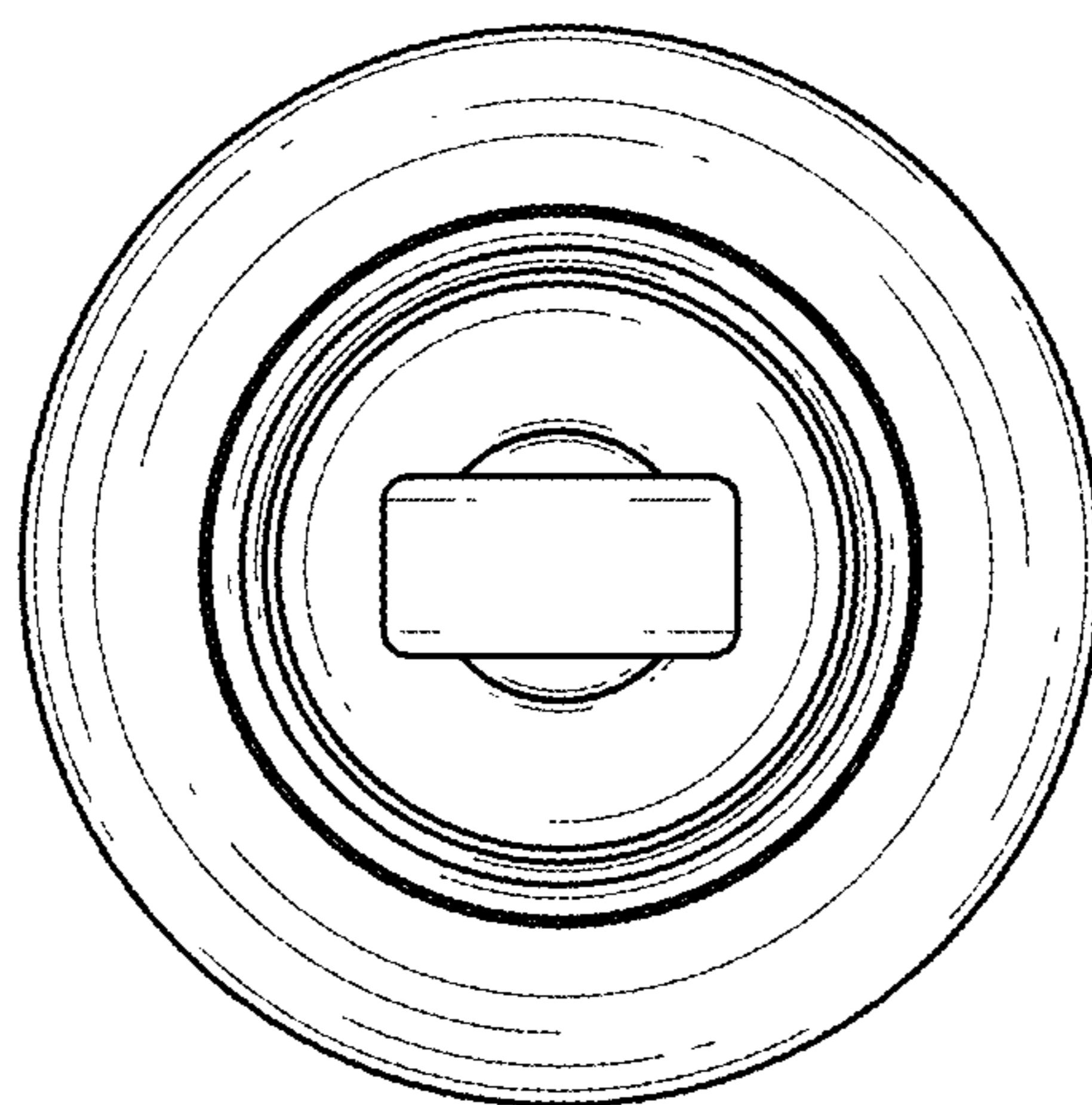


FIG. 5

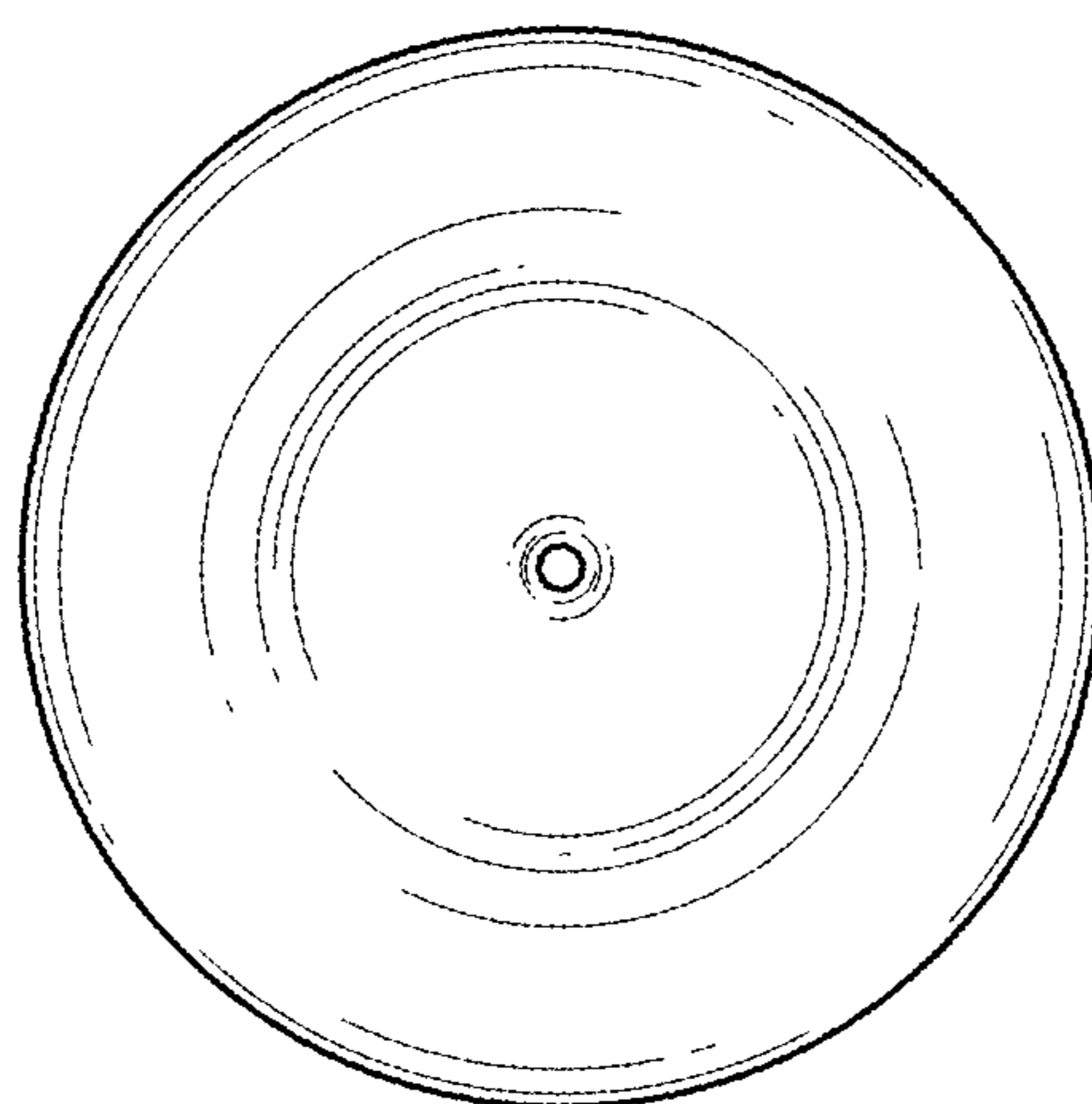


FIG. 6



FIG. 7