



US00D893951S

(12) **United States Design Patent**
Steenari et al.

(10) **Patent No.:** **US D893,951 S**

(45) **Date of Patent:** **** Aug. 25, 2020**

(54) **LIQUID CONTAINER**

(71) Applicant: **Takeya USA Corporation**, Huntington Beach, CA (US)

(72) Inventors: **Jukka Steenari**, Aliso Viejo, CA (US); **Yukio Ban**, Osaka (JP)

(73) Assignee: **Takeya USA Corporation**, Costa Mesa, CA (US)

(**) Term: **15 Years**

(21) Appl. No.: **29/665,350**

(22) Filed: **Oct. 2, 2018**

(51) **LOC (12) Cl.** **07-01**

(52) **U.S. Cl.**
USPC **D7/510; D7/396.2; D7/900**

(58) **Field of Classification Search**
USPC D7/392.1, 396.1, 396.2, 510, 511;
D9/434, 435, 447, 449, 549
CPC B65D 43/00; B65D 43/02; B65D 43/142;
B65D 47/08; B65D 41/04; B65D 39/00;
B65D 41/56; A47J 43/27; A45F 3/16
See application file for complete search history.

(56) **References Cited**

U.S. PATENT DOCUMENTS

2,304,214 A * 12/1942 Straub B65D 47/286
222/542
D533,779 S * 12/2006 Schmidtner D9/449

D715,100 S * 10/2014 Eyal D7/510
D790,272 S * 6/2017 Han D7/396.2
D802,362 S * 11/2017 Spivey D7/396.2
D811,817 S * 3/2018 Harrington, III D7/510
10,252,838 B2 * 4/2019 Ban B65D 47/32
D850,192 S * 6/2019 Jacobsen D7/396.2
2017/0273484 A1 * 9/2017 Spivey A47G 19/2288

* cited by examiner

Primary Examiner — Susan E Krakower

Assistant Examiner — Andrew Kerr

(74) *Attorney, Agent, or Firm* — Klein, O'Neill & Singh, LLP

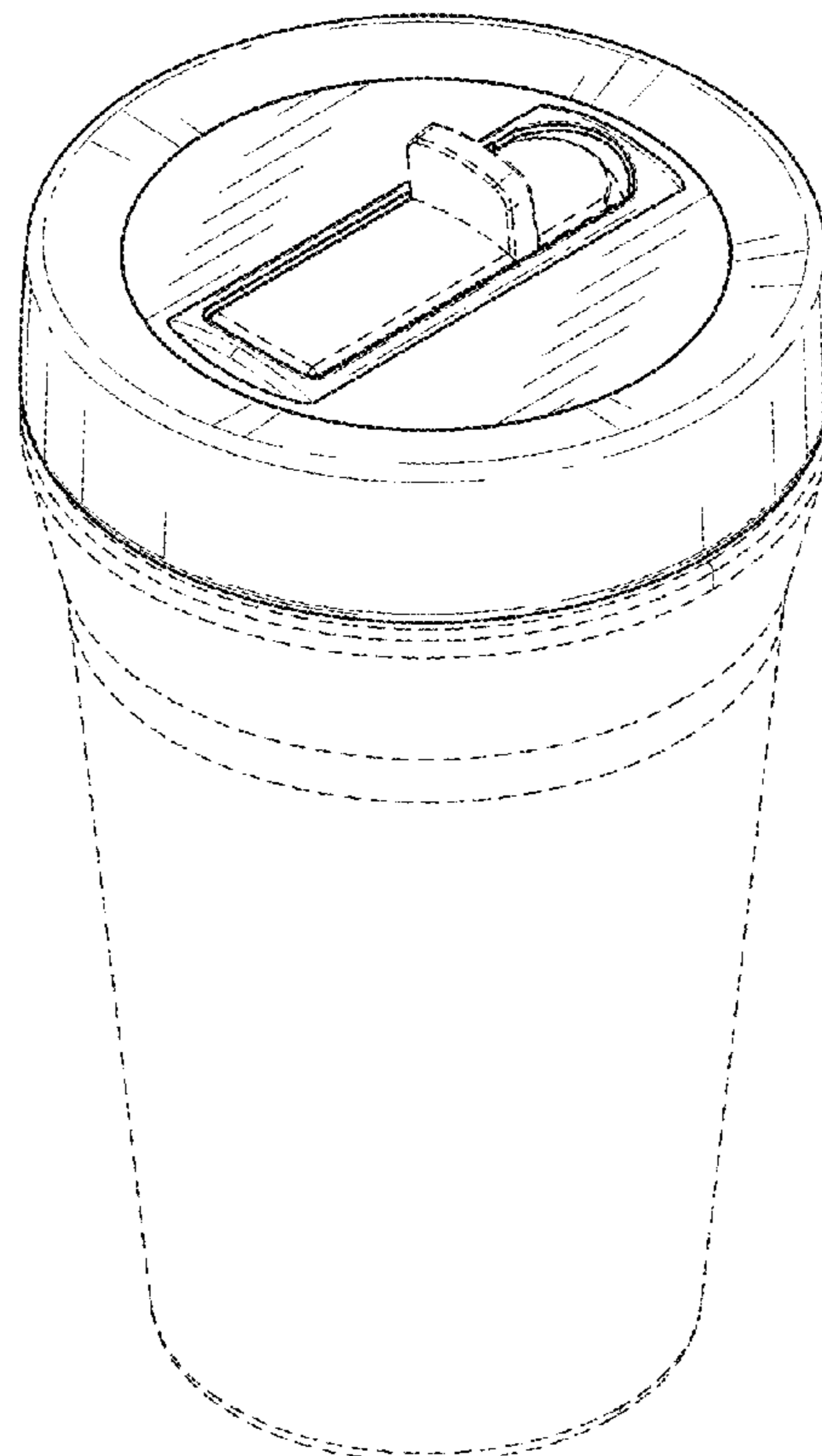
(57) **CLAIM**

The ornamental design for a liquid container, as shown and described.

DESCRIPTION

FIG. 1 is a top perspective view of a liquid container showing the new design, with a lid and a base; FIG. 2 is a bottom perspective view thereof; FIG. 3 is a right side elevation view thereof; FIG. 4 is a left side elevation view thereof; FIG. 5 is front elevation view thereof; FIG. 6 is a top plan view thereof; and, FIG. 7 is a bottom plant view thereof. The broken lines in the drawings depict portions of the liquid container that form no part of the claimed design. The shading lines only help to show the shape and do not depict any surface decoration.

1 Claim, 4 Drawing Sheets



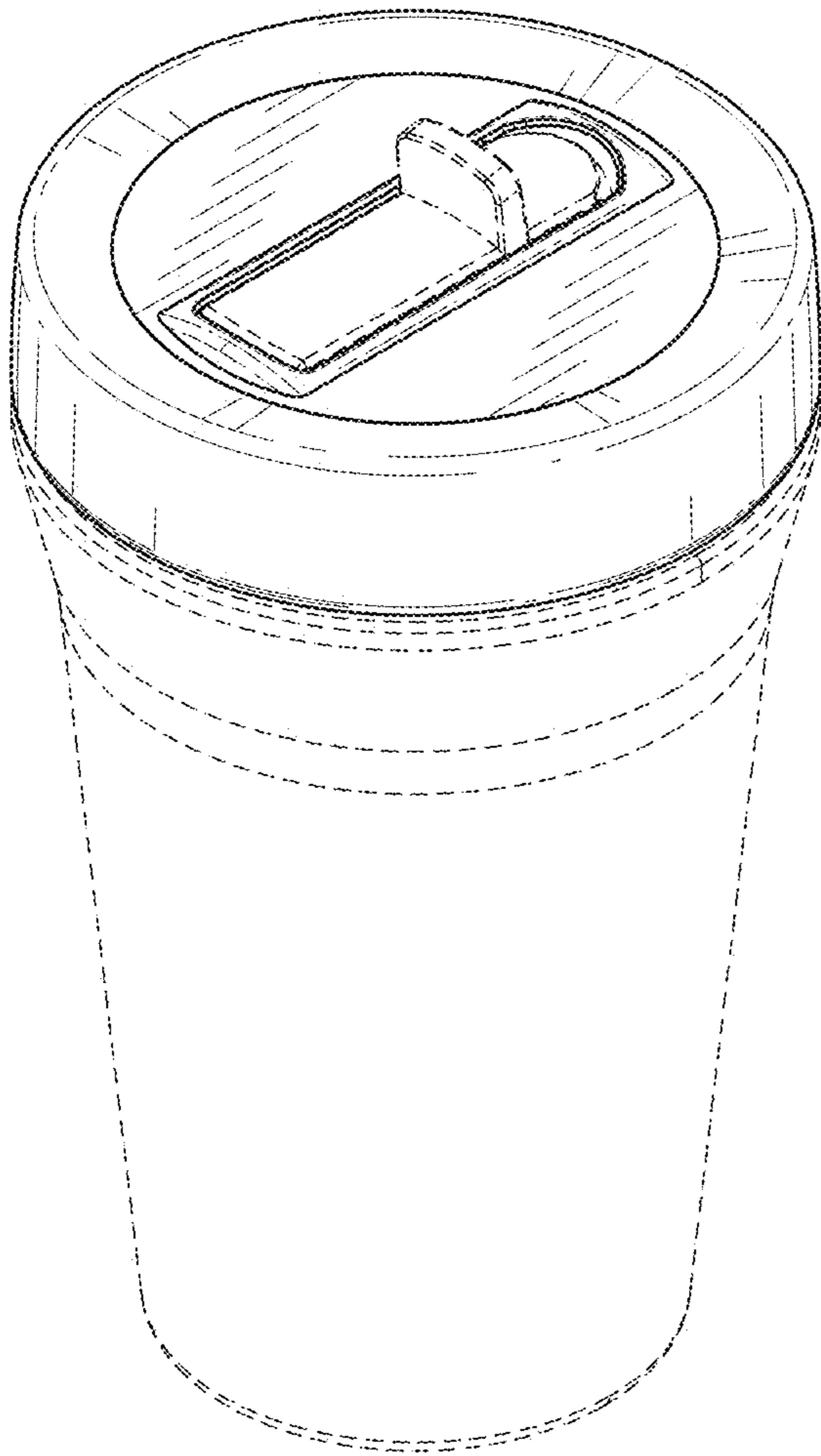


FIG. 1

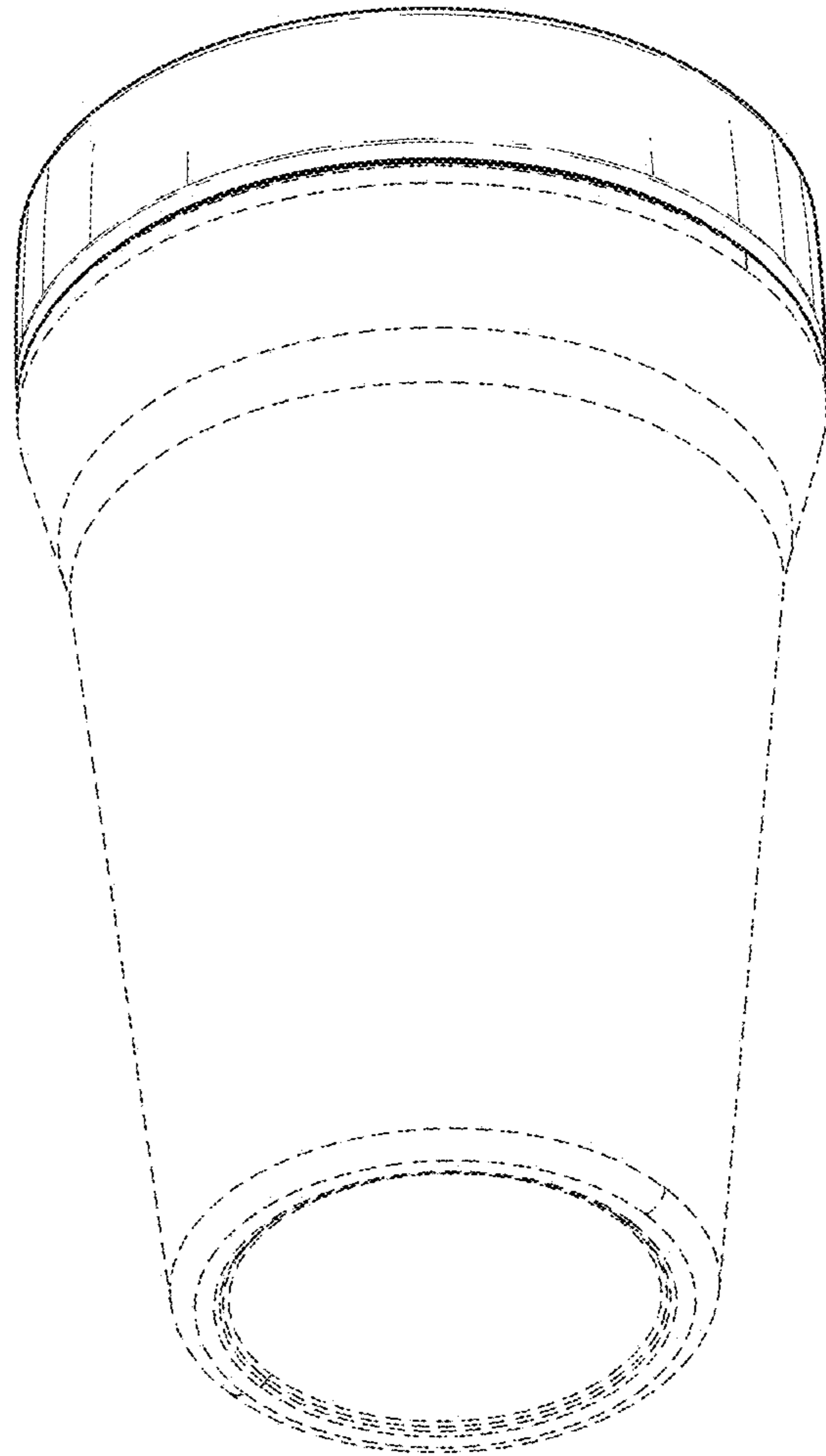


FIG. 2

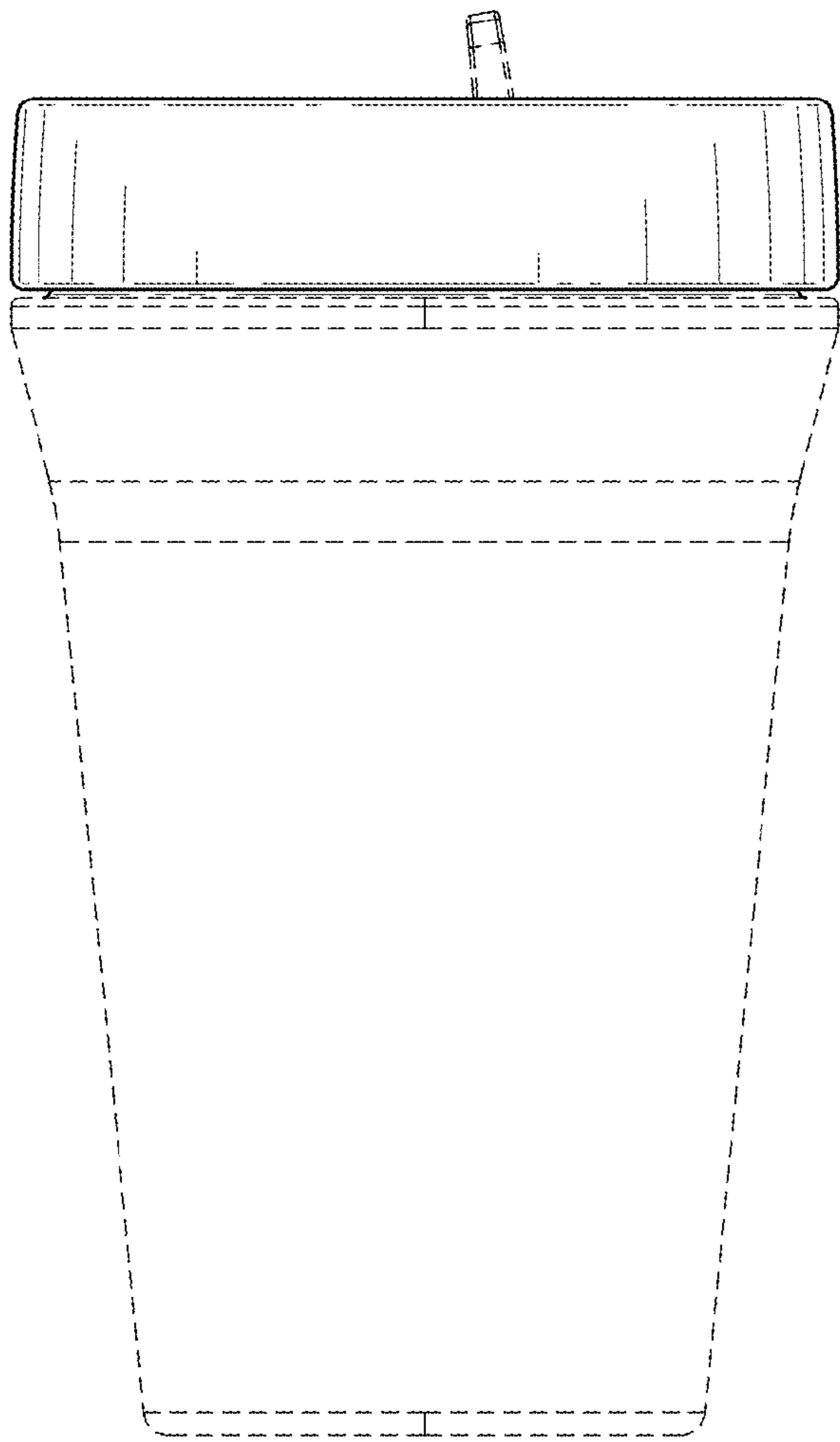


FIG. 3

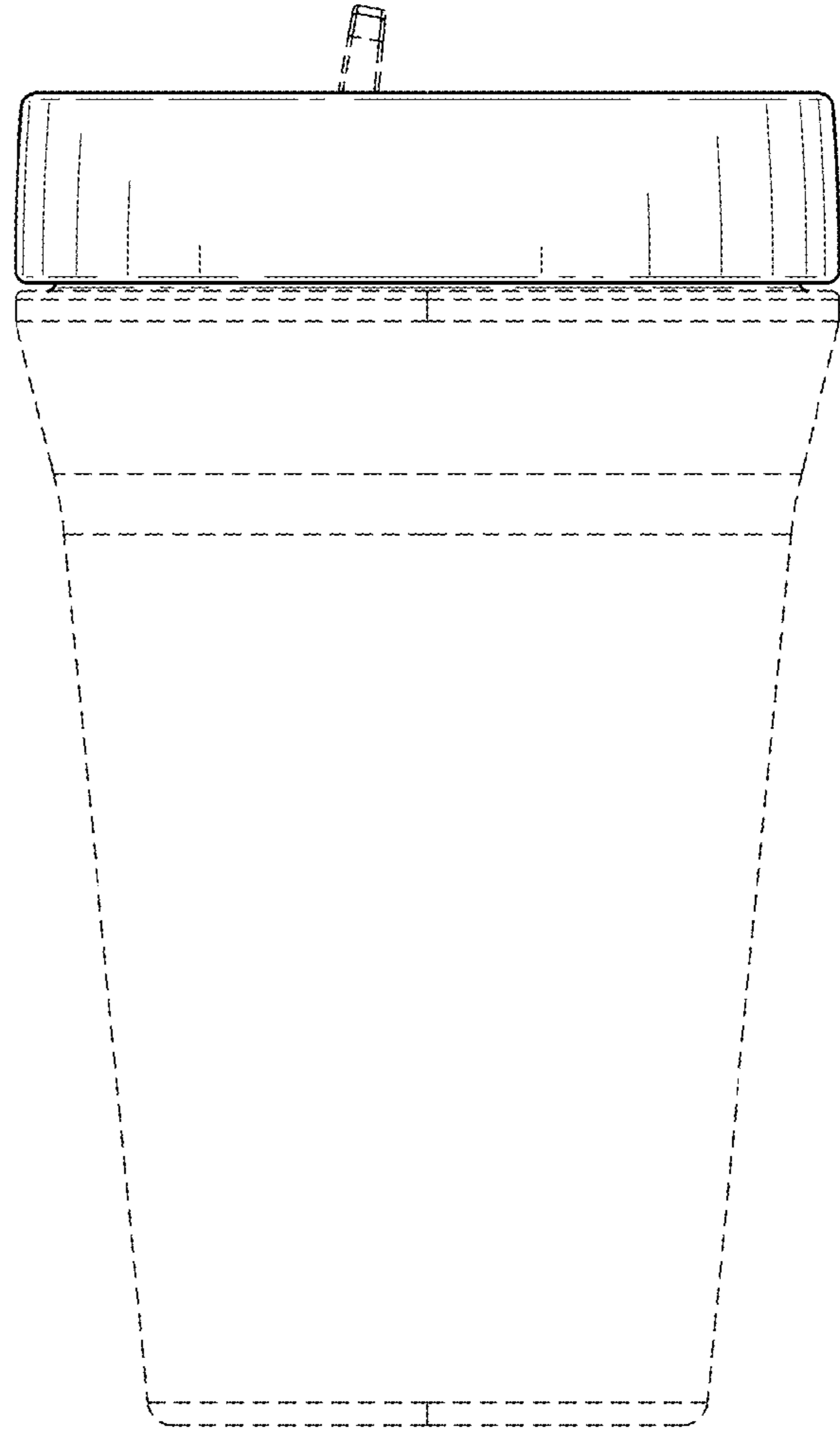


FIG. 4

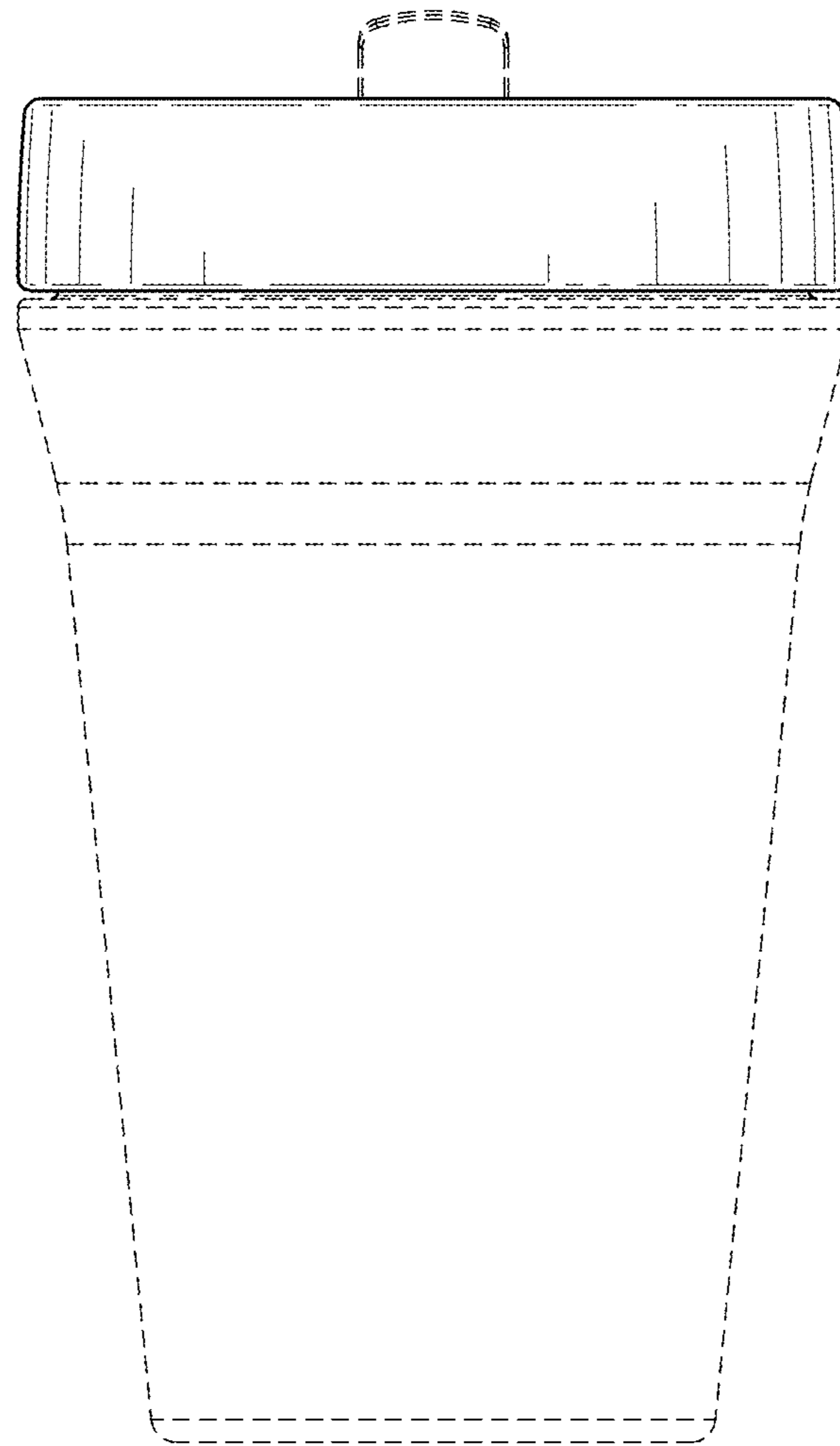


FIG. 5

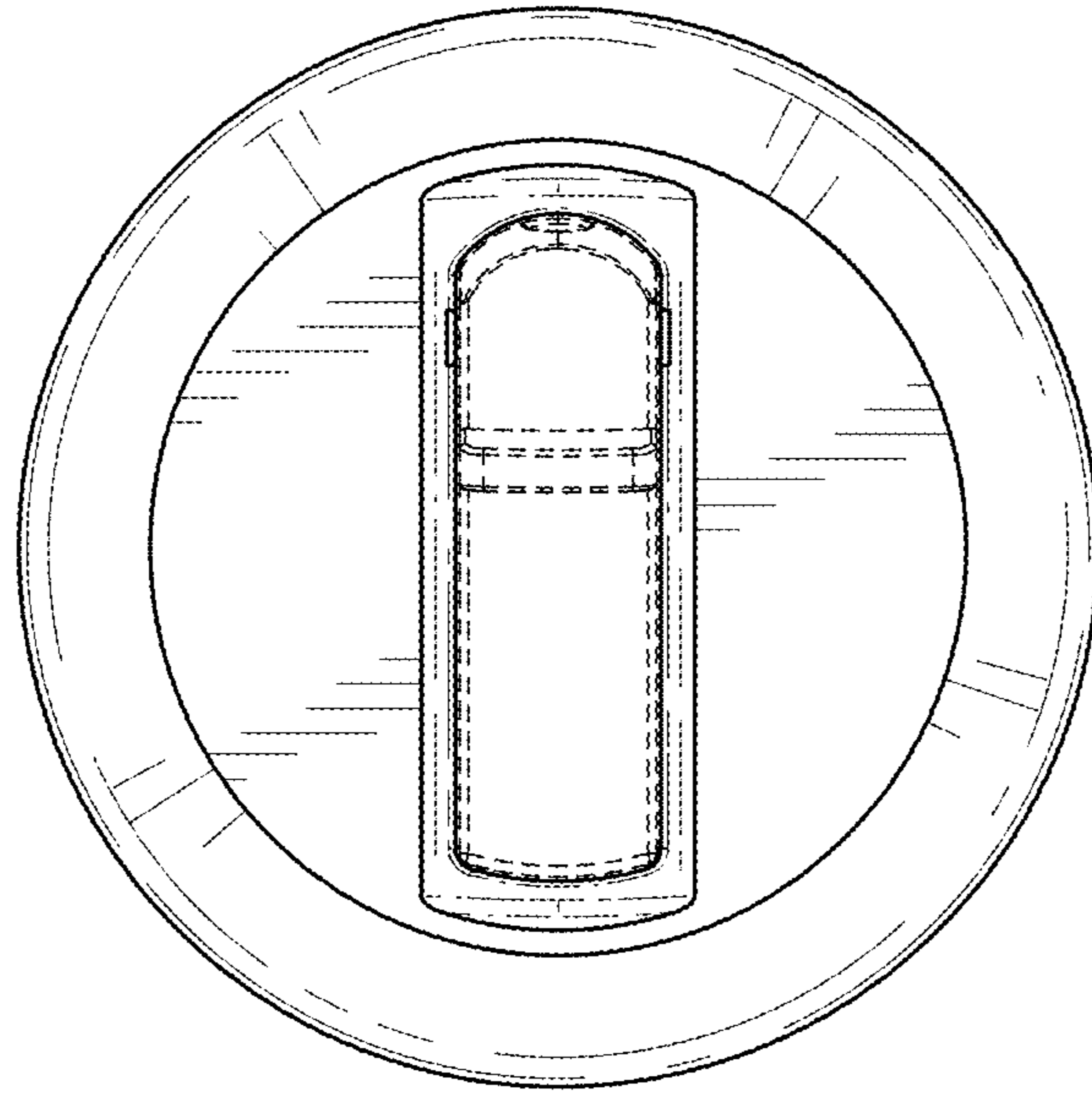


FIG. 6

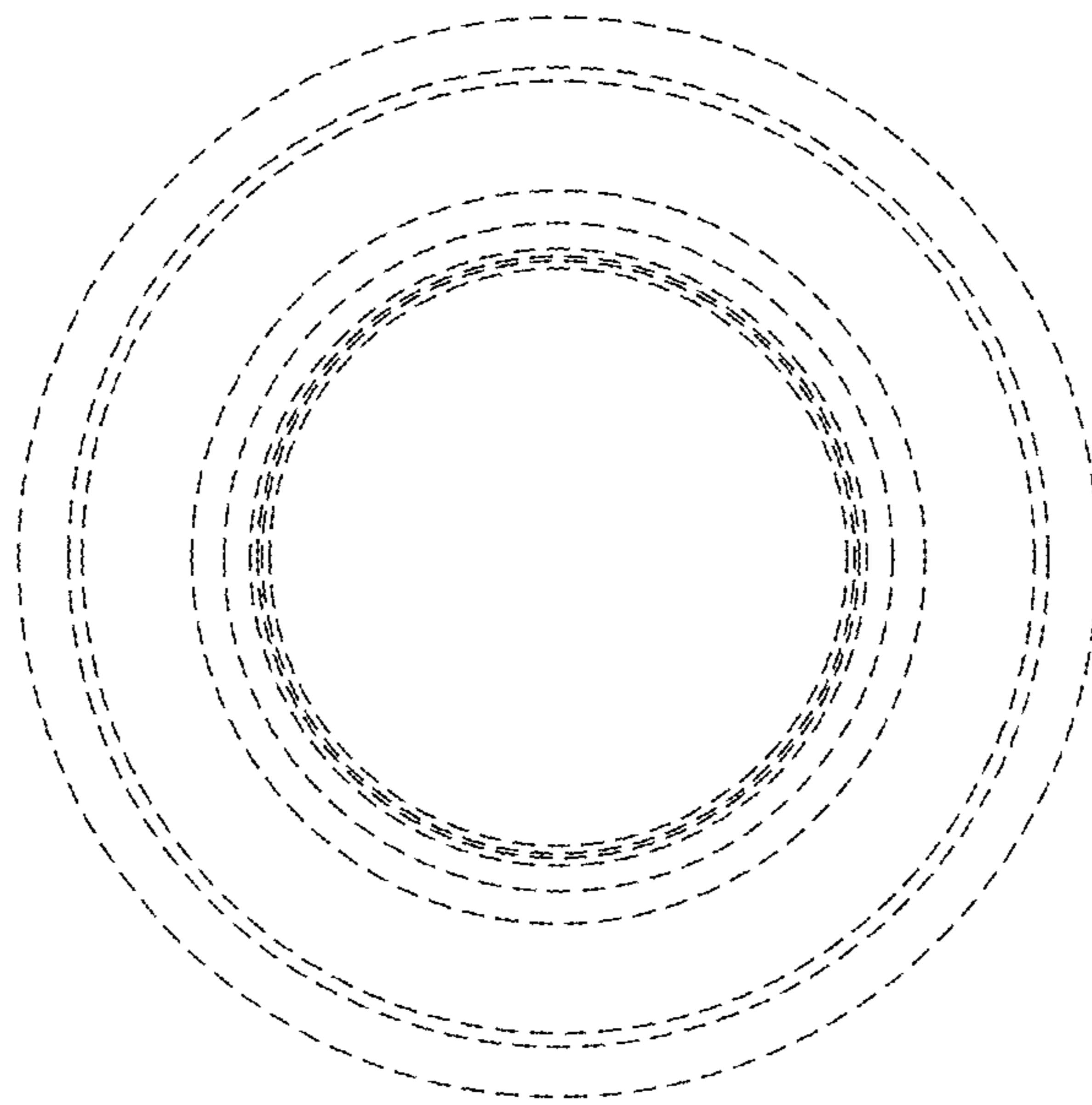


FIG. 7