



US00D893949S

(12) **United States Design Patent** (10) **Patent No.:** **US D893,949 S**
Ou (45) **Date of Patent:** **** Aug. 25, 2020**

(54) **SQUARE CONTAINER WITH FIXED BALL**
(71) Applicant: **Pacific Vial Mfg., Inc.**, Commerce, CA (US)
(72) Inventor: **Suk Hwan Ou**, Commerce, CA (US)
(73) Assignee: **PACIFIC VIAL MFG., INC.**, Commerce, CA (US)
(**) Term: **15 Years**

D703,489 S * 4/2014 Thomas D7/523
D770,231 S * 11/2016 Hume D7/523
D771,303 S * 11/2016 Ross D26/118
D781,932 S * 3/2017 Yoshikawa D15/80
D805,352 S * 12/2017 Thuma D7/523
D812,430 S * 3/2018 McLaughlin D7/523
D825,791 S * 8/2018 Patti D26/9
D847,572 S * 5/2019 Ou D7/507
D861,432 S * 10/2019 Ou D7/507
D872,532 S * 1/2020 Kasha D7/509
2003/0162142 A1* 8/2003 Bennetts C11C 5/008
431/291
2018/0297747 A1* 10/2018 Lee A47G 19/2205

(21) Appl. No.: **29/688,982**
(22) Filed: **Apr. 25, 2019**
(51) **LOC (12) Cl.** **07-01**
(52) **U.S. Cl.**
USPC **D7/507**; D7/672; D7/523; D7/396.2
(58) **Field of Classification Search**
USPC D7/507, 509, 510, 511, 532, 523, 300.1,
D7/300.2, 512, 529, 530, 531, 533, 536,
D7/624.1, 624.2, 396.2, 672; D3/202,
D3/303; D99/25; D9/567, 434, 568, 519
CPC A47G 19/22; A47G 19/2277; A47G
19/2205; A47G 19/2222; A47G 19/2211;
A47J 41/0077; A45F 3/20; A45F
2003/205
See application file for complete search history.

OTHER PUBLICATIONS

https://www.amazon.com/Personalized-Whiskey-Glasses-Diamond-set/dp/B073XW6RNR/ref=sr_1_53?dchild=1&keywords=square%2Bbeverage%2Bglass%2Bwith%2Bfixed%2Bball&qid=1592512243&sr=8-53&th=1 (Year: 2017).*

* cited by examiner

Primary Examiner — Jae Liang
(74) *Attorney, Agent, or Firm* — Womble Bond Dickinson (US) LLP

(56) **References Cited**

U.S. PATENT DOCUMENTS

D282,232 S * 1/1986 Bussell D7/509
D293,869 S * 1/1988 Durand D7/531
D340,385 S * 10/1993 Durand D7/509
6,005,204 A * 12/1999 Choi A47G 19/2227
200/52 R
D498,502 S * 11/2004 Duke D20/10
D506,640 S * 6/2005 Marck D7/509
D536,148 S * 1/2007 Schiefer D34/1
D631,700 S * 2/2011 Flick D7/509
D631,702 S * 2/2011 Flick D7/509
8,162,140 B2 * 4/2012 Hansen A61B 10/0096
206/438
D663,163 S * 7/2012 Dick D7/507
D686,454 S * 7/2013 Roth D7/509

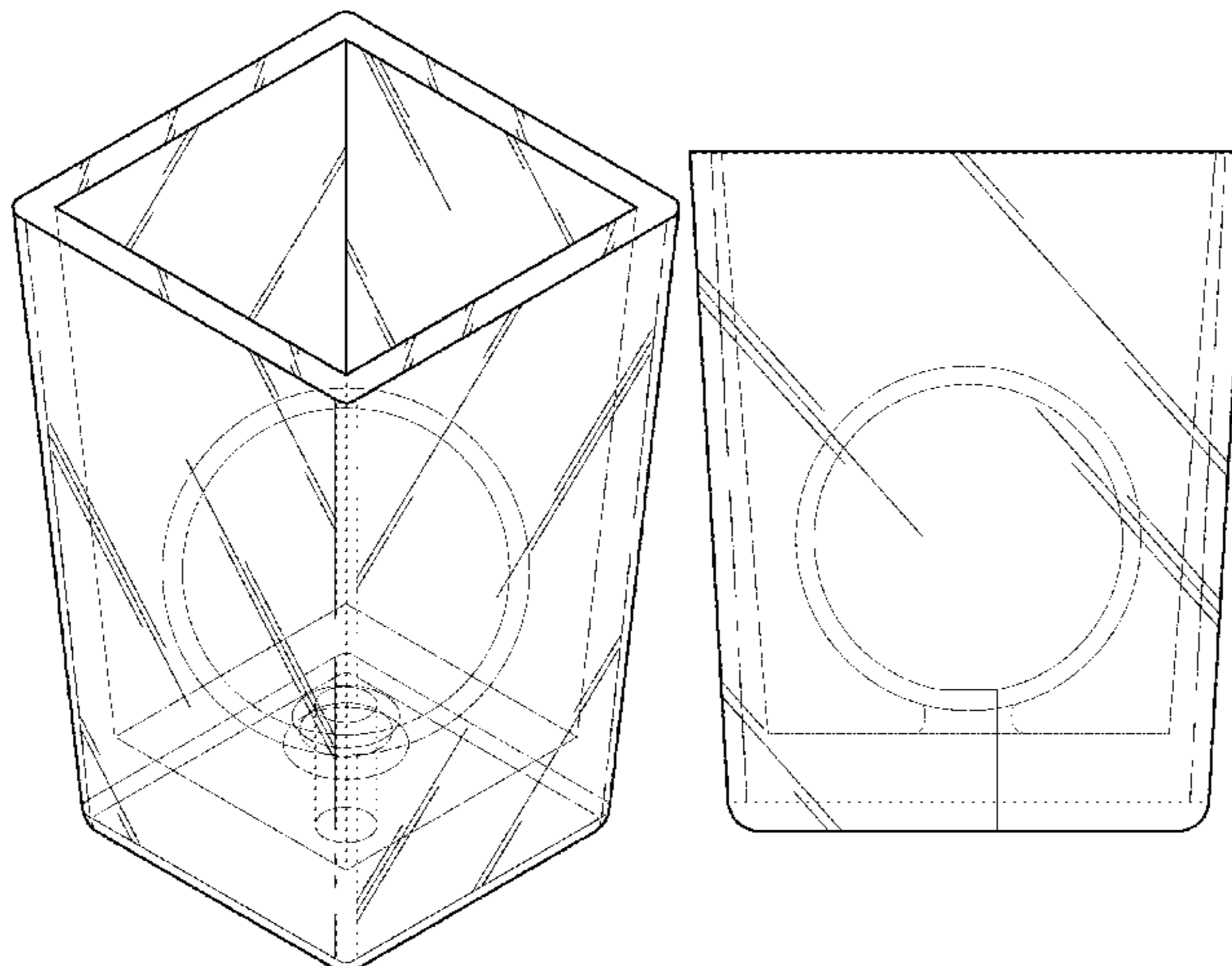
(57) **CLAIM**

The ornamental design for a square container with fixed ball, as shown and described.

DESCRIPTION

FIG. 1 is a front, side perspective view of my square container with fixed ball.
FIG. 2 is a top plan view thereof.
FIG. 3 is a bottom plan view thereof.
FIG. 4 is a side elevation view thereof, the other side being a mirror image; and,
FIG. 5 is a side elevation cross-section view thereof taken along line 5-5 of FIG. 2.

1 Claim, 3 Drawing Sheets



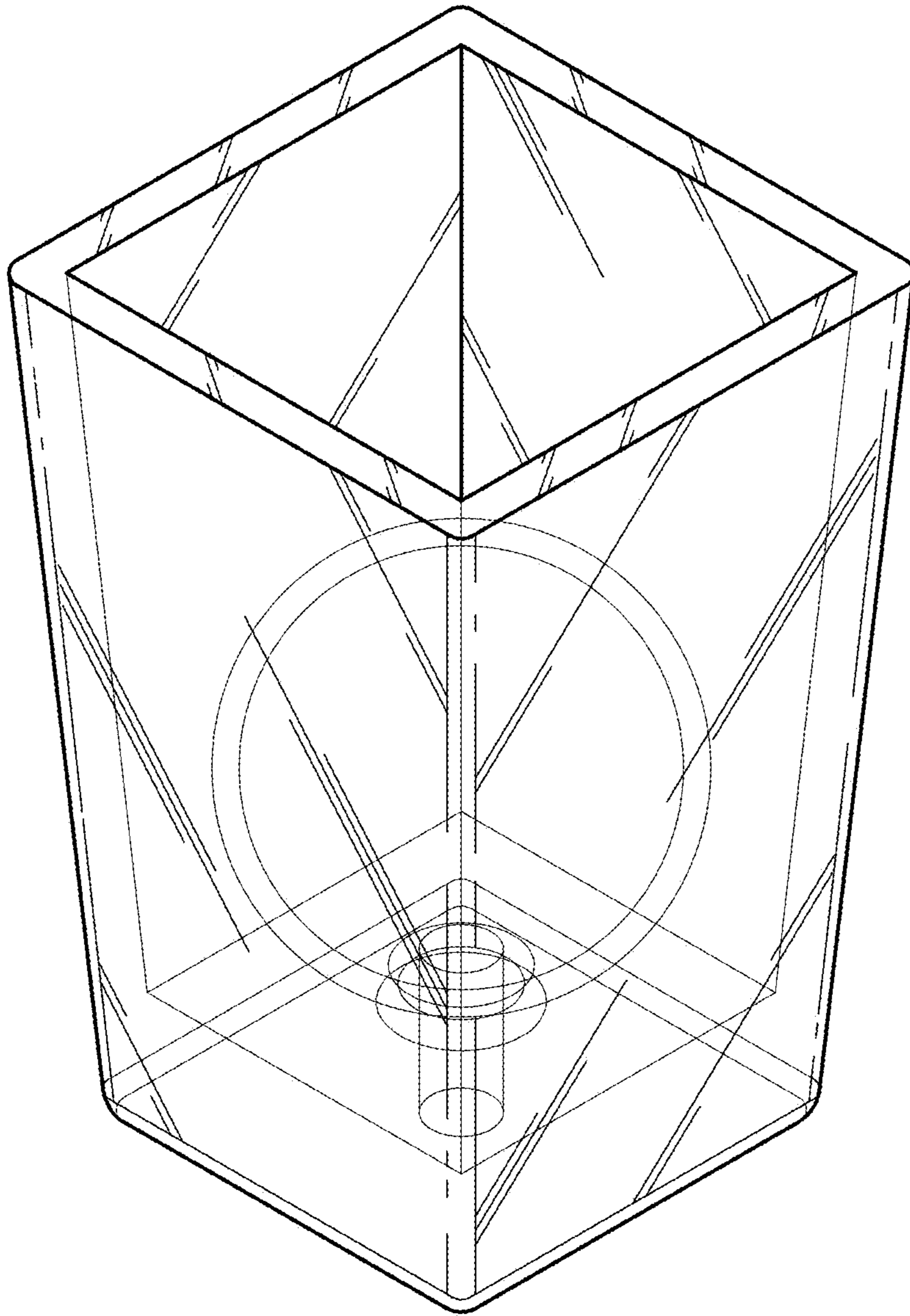


FIG. 1

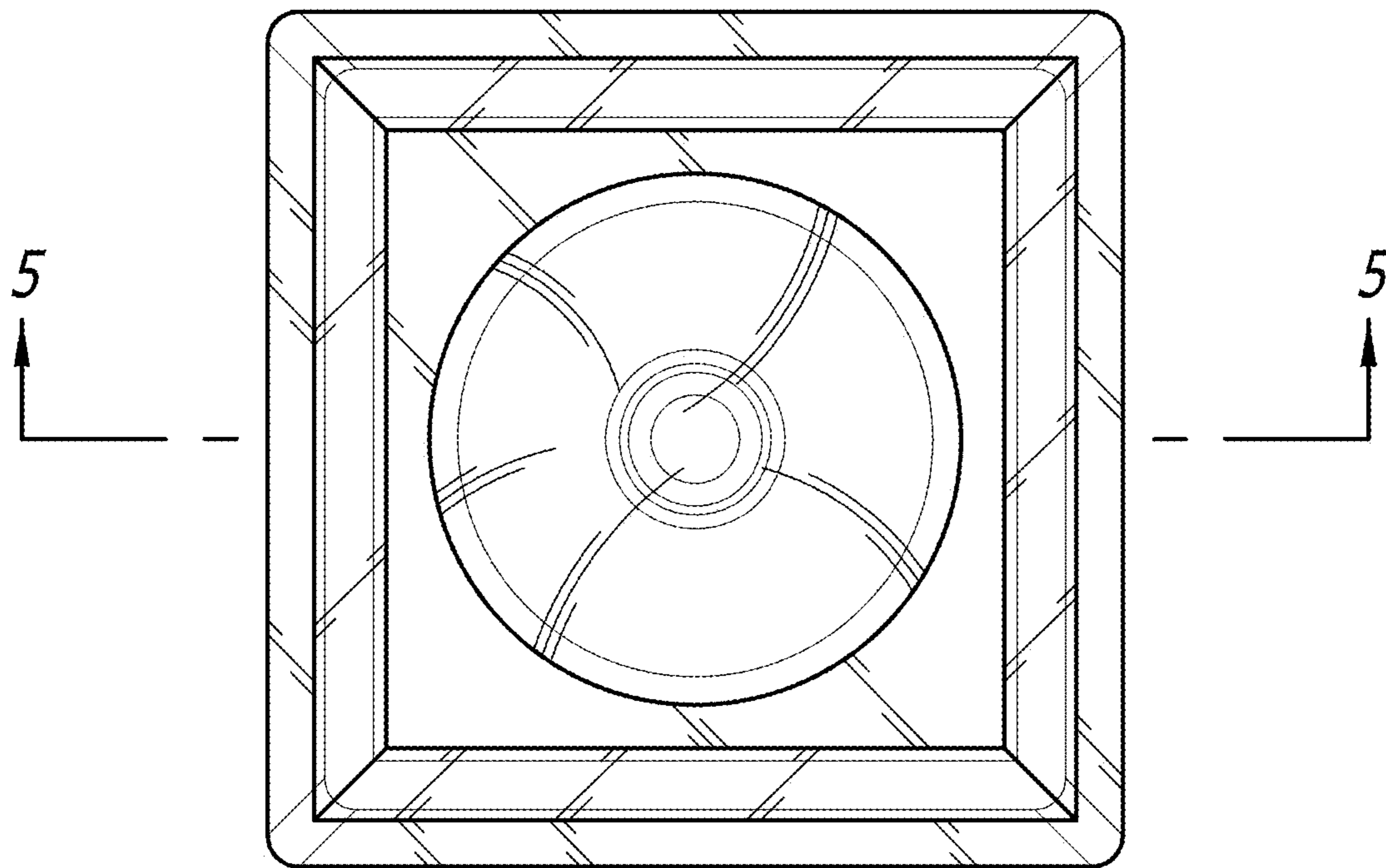


FIG. 2

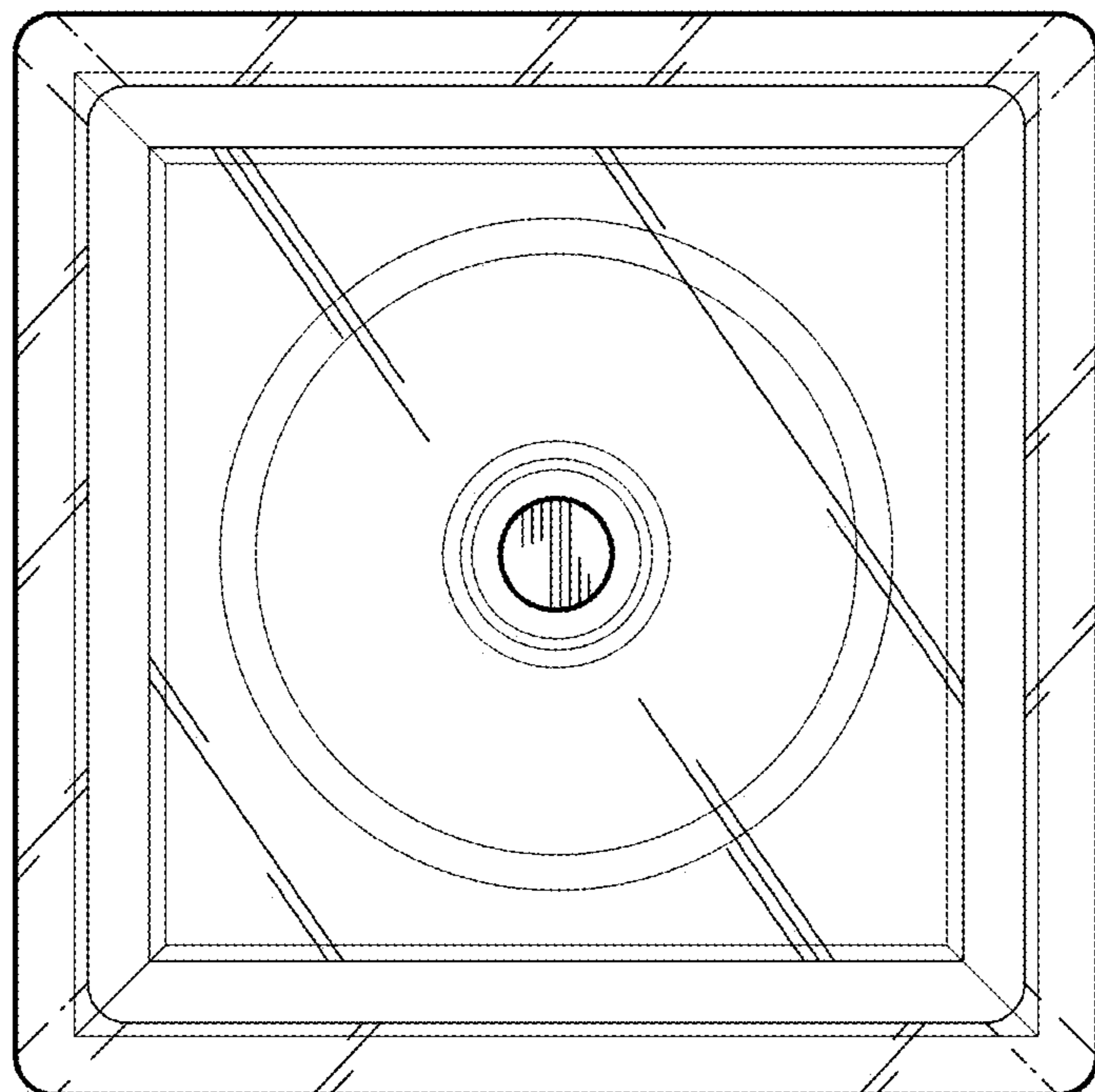


FIG. 3

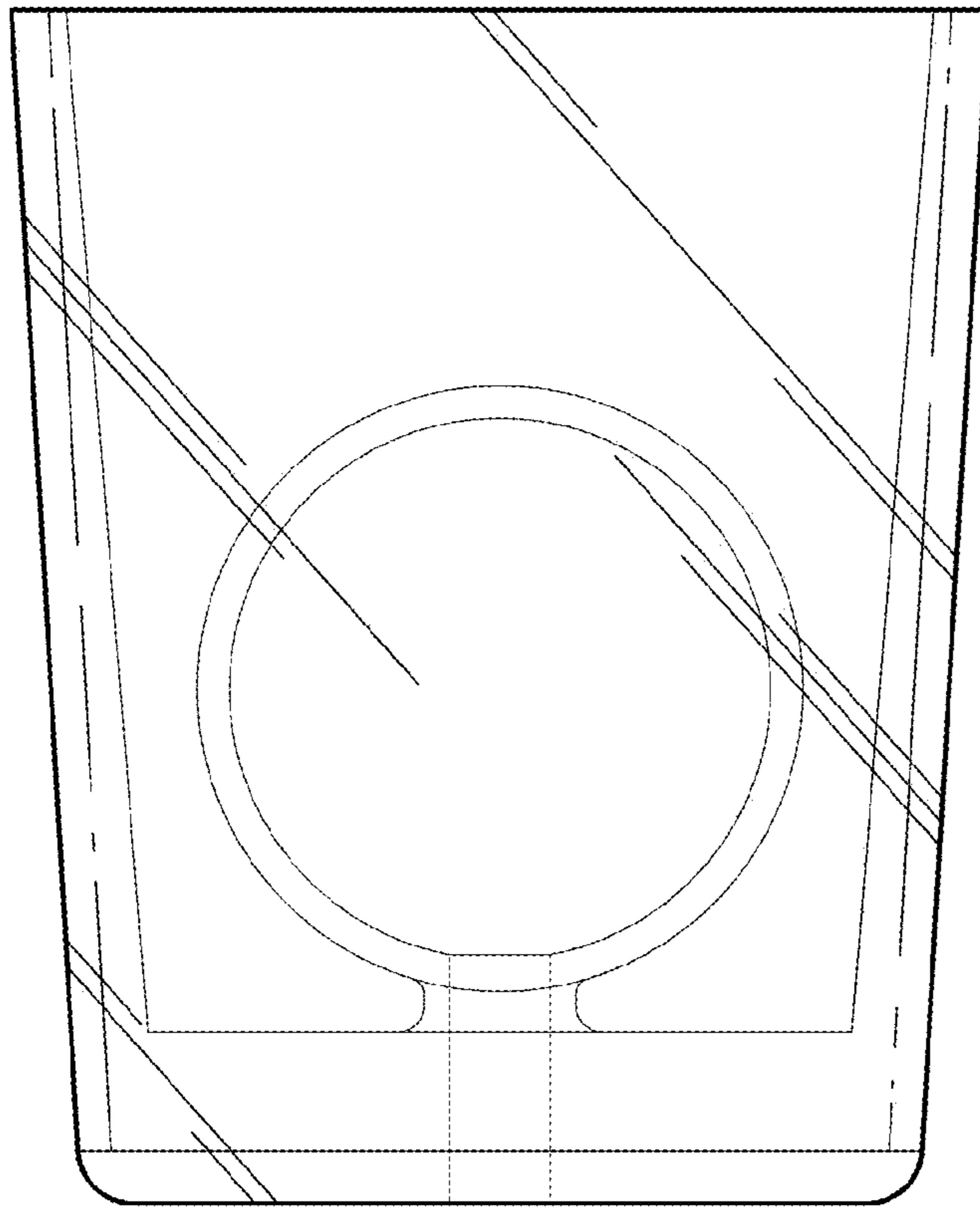


FIG. 4

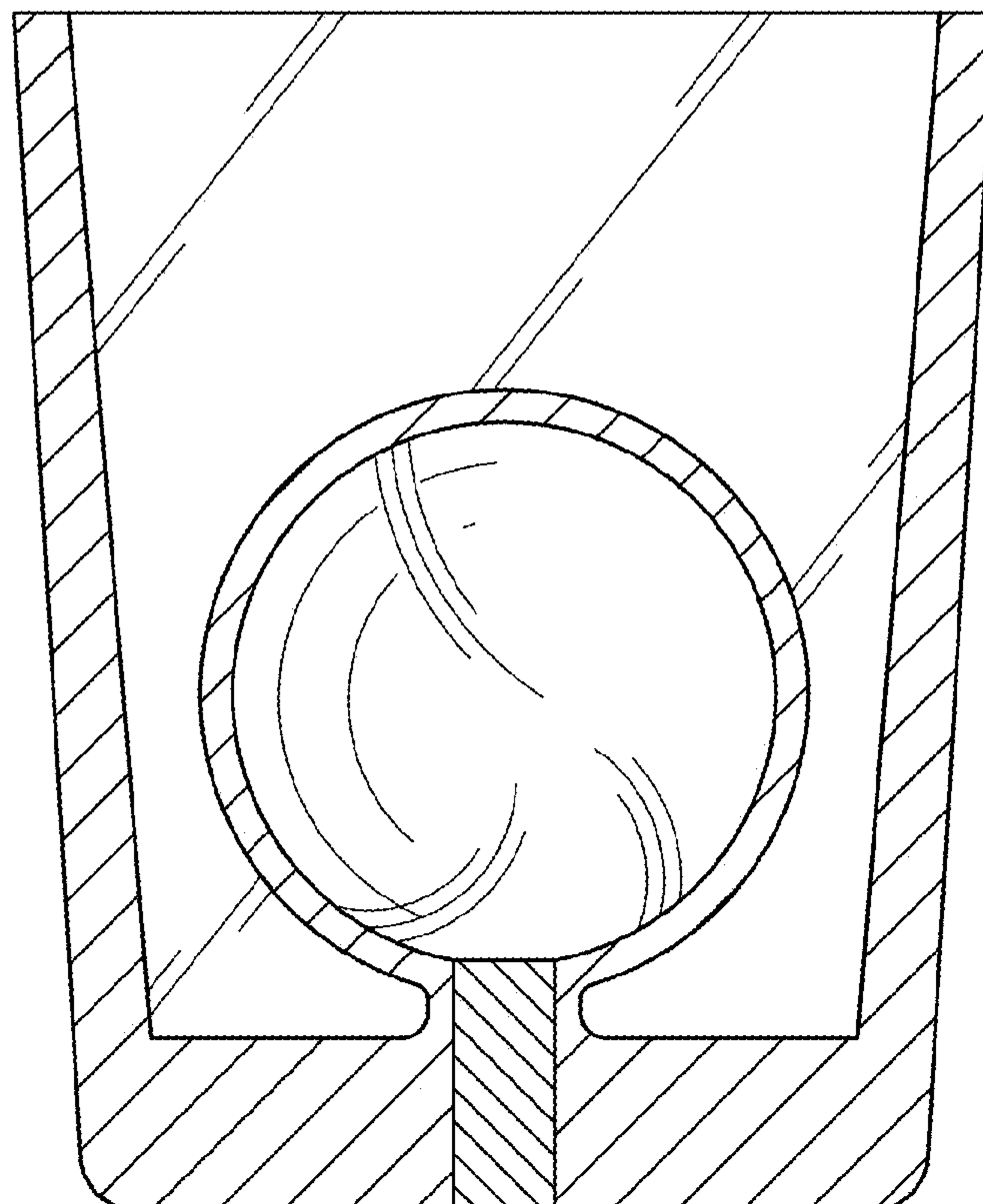


FIG. 5