



US00D893948S

(12) **United States Design Patent**
Ou

(10) **Patent No.:** **US D893,948 S**

(45) **Date of Patent:** **** Aug. 25, 2020**

(54) **ROUND CONTAINER WITH FIXED BALL**

(71) Applicant: **Pacific Vial Mfg., Inc.**, Commerce, CA (US)

(72) Inventor: **Suk Hwan Ou**, Commerce, CA (US)

(73) Assignee: **PACIFIC VIAL MFG., INC.**, Commerce, CA (US)

(**) Term: **15 Years**

(21) Appl. No.: **29/688,981**

(22) Filed: **Apr. 25, 2019**

(51) **LOC (12) Cl.** **07-01**

(52) **U.S. Cl.**
USPC **D7/507**; D7/672; D7/523; D7/396.2

(58) **Field of Classification Search**
USPC D7/507, 509, 510, 511, 532, 523, 300.1, D7/300.2, 512, 529, 530, 531, 533, 536, D7/624.1, 624.2, 396.2, 672; D3/202, D3/303; D99/25; D9/567, 434, 568, 519
CPC A47G 19/22; A47G 19/2277; A47G 19/2205; A47G 19/2222; A47G 19/2211; A47J 41/0077; A45F 3/20; A45F 2003/205

See application file for complete search history.

(56) **References Cited**

U.S. PATENT DOCUMENTS

D405,316 S * 2/1999 Spike D7/507
D551,502 S * 9/2007 Bodum D7/509
D575,109 S * 8/2008 Barducci D7/507

D631,702 S * 2/2011 Flick D7/509
D643,317 S * 8/2011 Clear D10/46.3
D686,454 S * 7/2013 Roth D7/509
D701,729 S * 4/2014 Kehoe D7/509
D703,489 S * 4/2014 Thomas D7/523
D729,007 S * 5/2015 Kehoe D7/507
D744,283 S * 12/2015 Thun D7/509
D771,303 S * 11/2016 Ross D26/118
D781,932 S * 3/2017 Yoshikawa D15/80
D847,572 S * 5/2019 Ou D7/507
D861,432 S * 10/2019 Ou D7/507
D872,532 S * 1/2020 Kasha D7/509
2005/0024859 A1 * 2/2005 Micele, Jr. F21S 13/12
362/161
2018/0297747 A1 * 10/2018 Lee G01G 19/4146

* cited by examiner

Primary Examiner — Jae Liang

(74) *Attorney, Agent, or Firm* — Womble Bond Dickinson (US) LLP

(57) **CLAIM**

The ornamental design for a round container with fixed ball, as shown and described.

DESCRIPTION

FIG. 1 is a front, side perspective view of a round container with fixed ball.

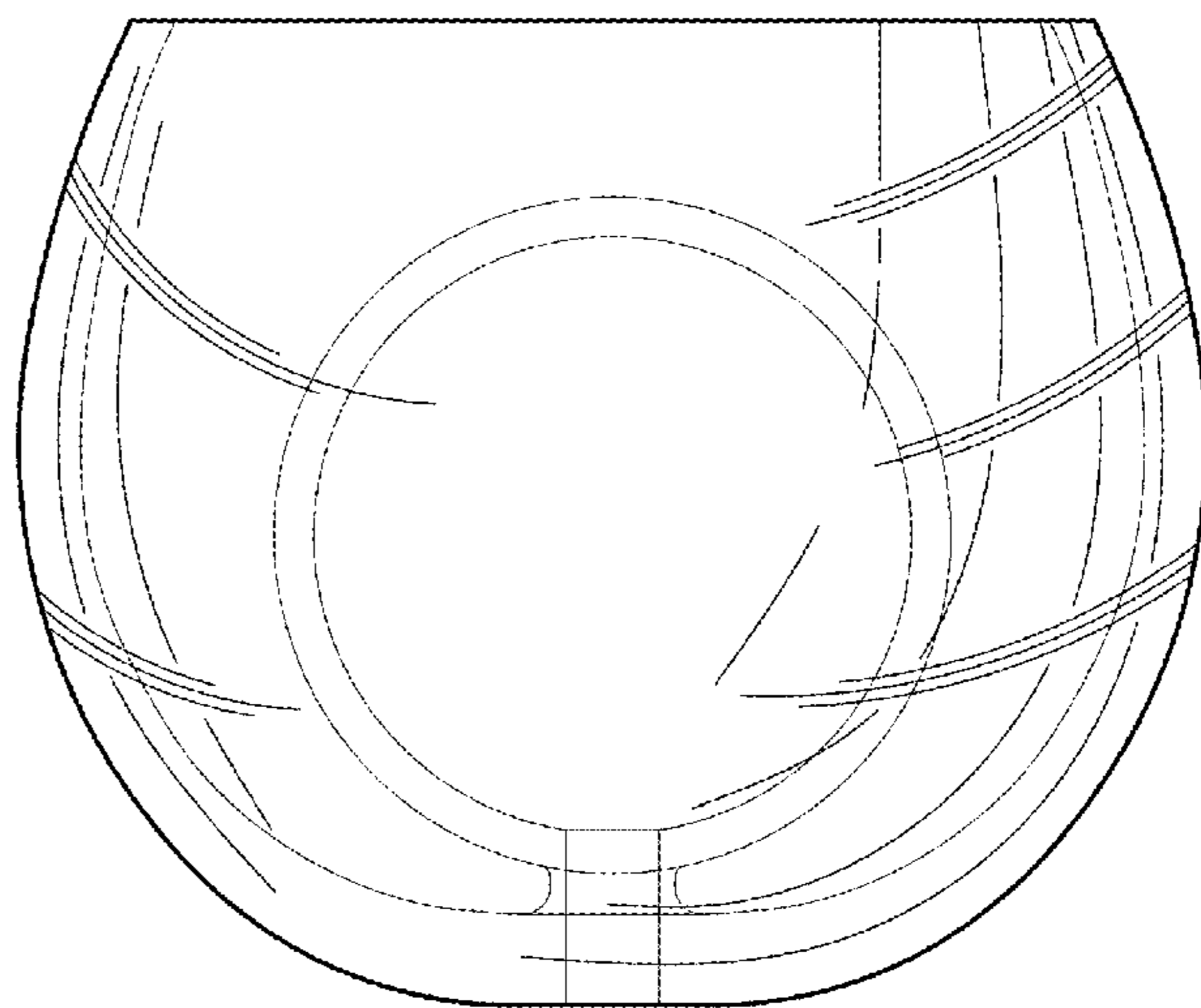
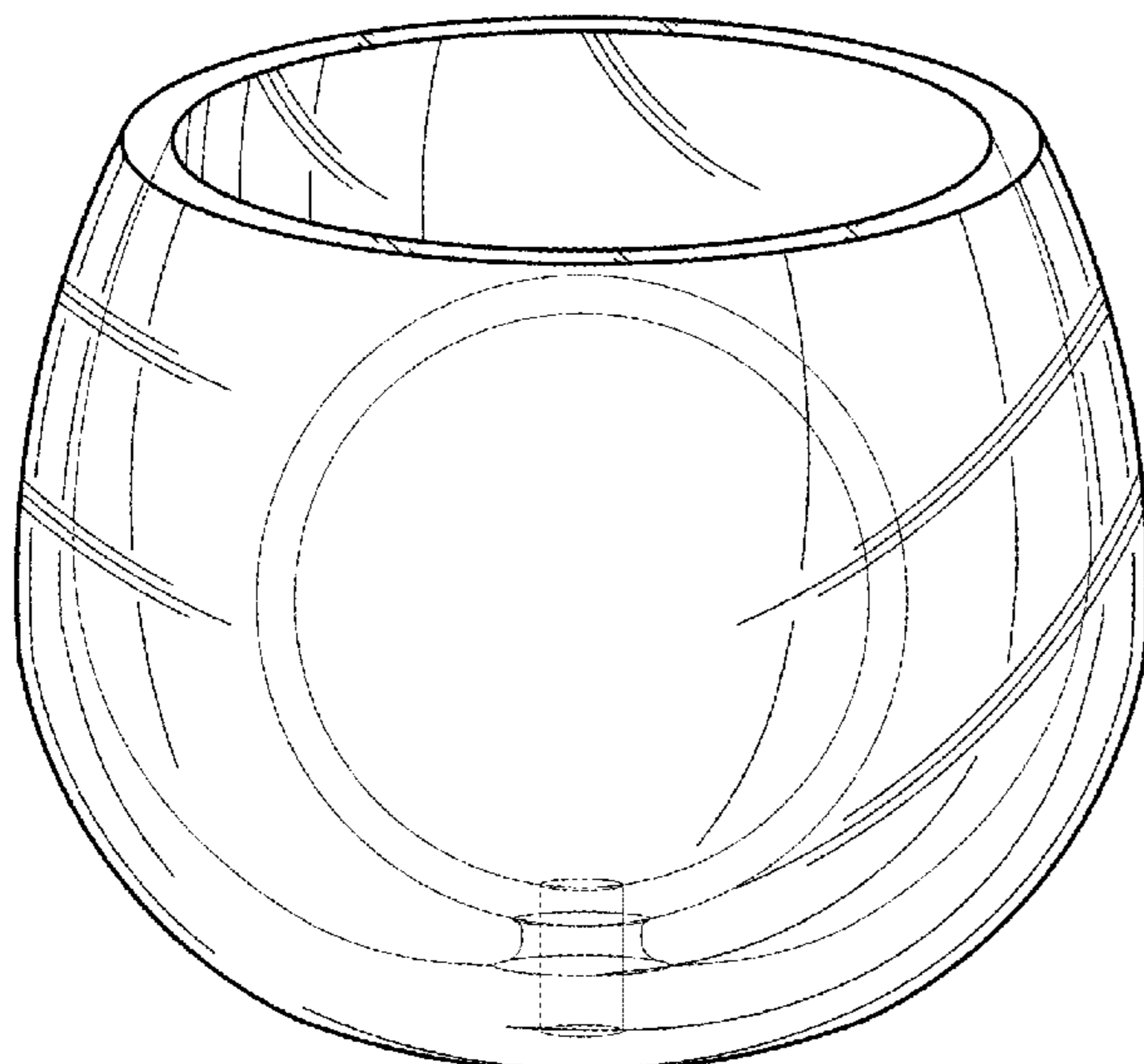
FIG. 2 is a top plan view thereof.

FIG. 3 is a bottom plan view thereof.

FIG. 4 is a side elevation view thereof, the other side being a mirror image; and,

FIG. 5 is a side elevation cross-section view thereof taken along line 5-5 of FIG. 2.

1 Claim, 3 Drawing Sheets



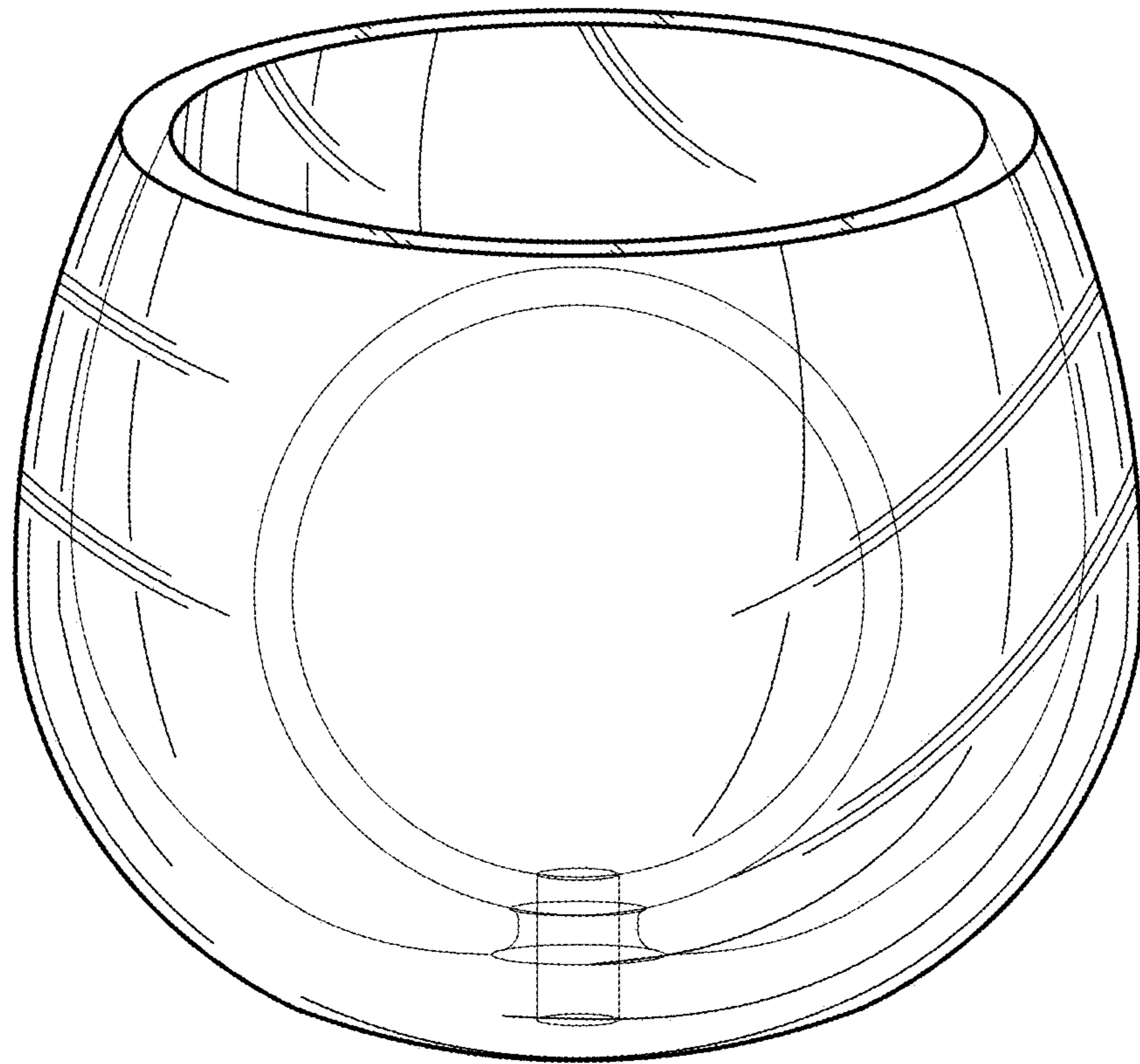


FIG. 1

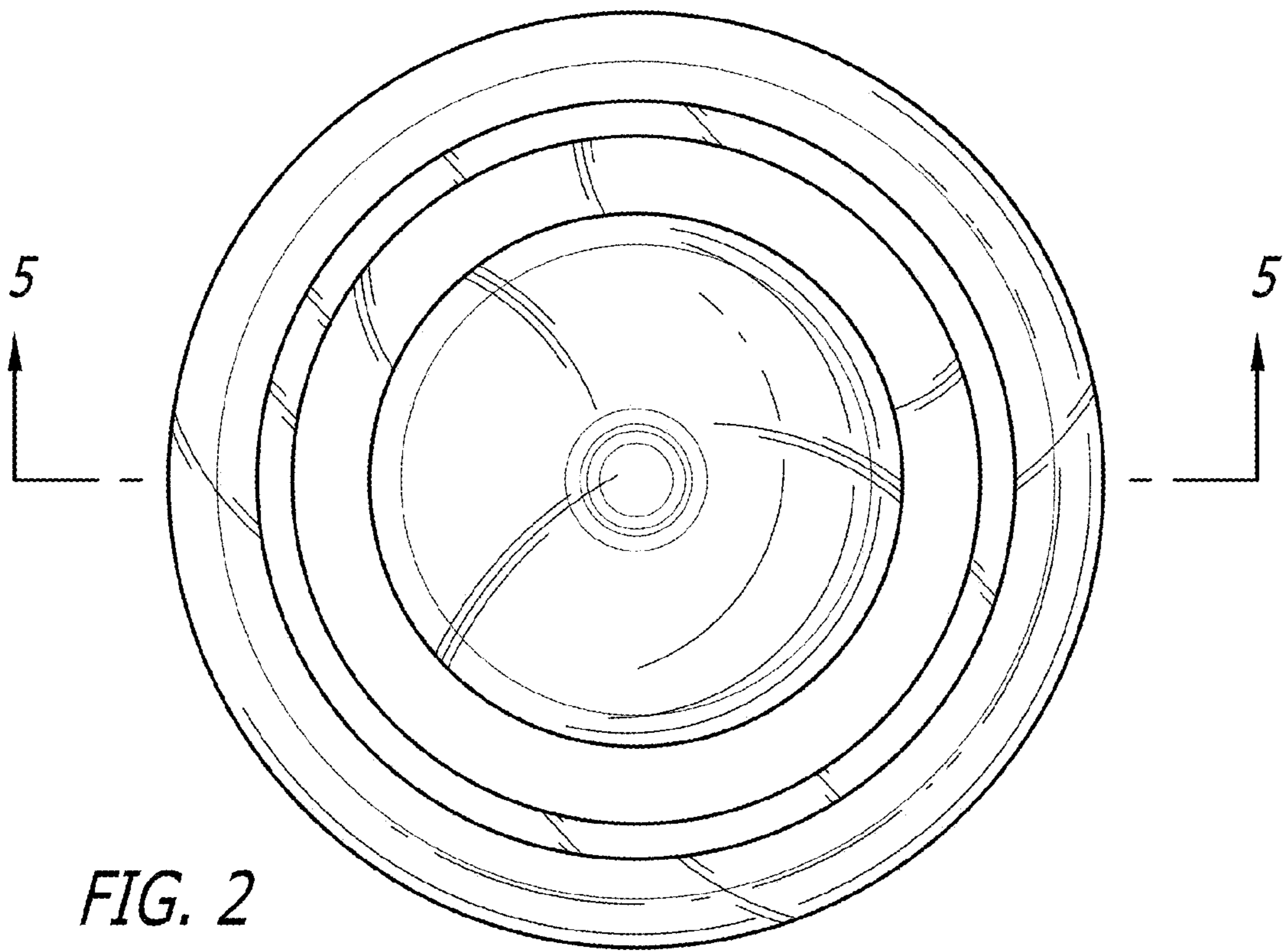


FIG. 2

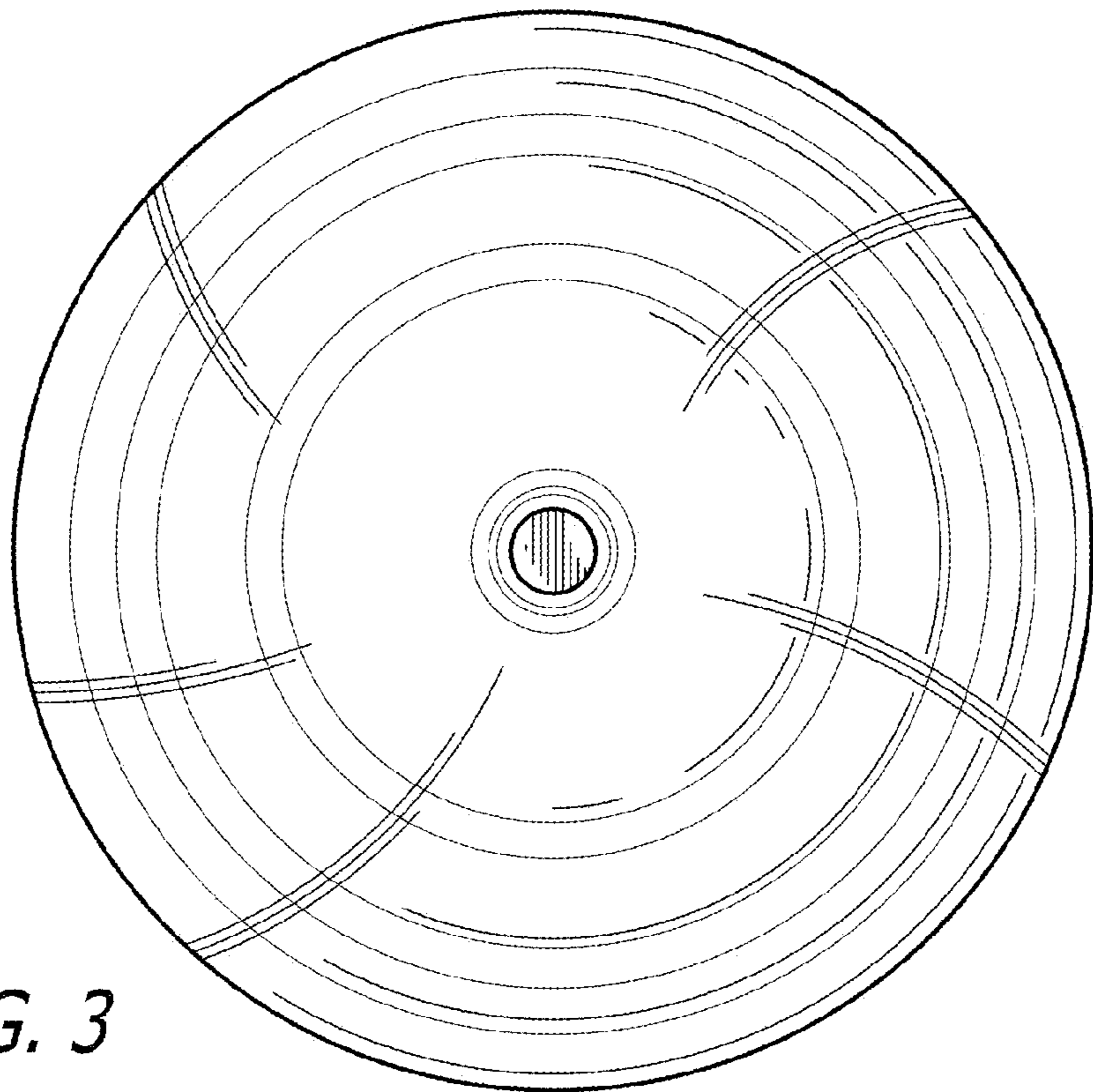


FIG. 3

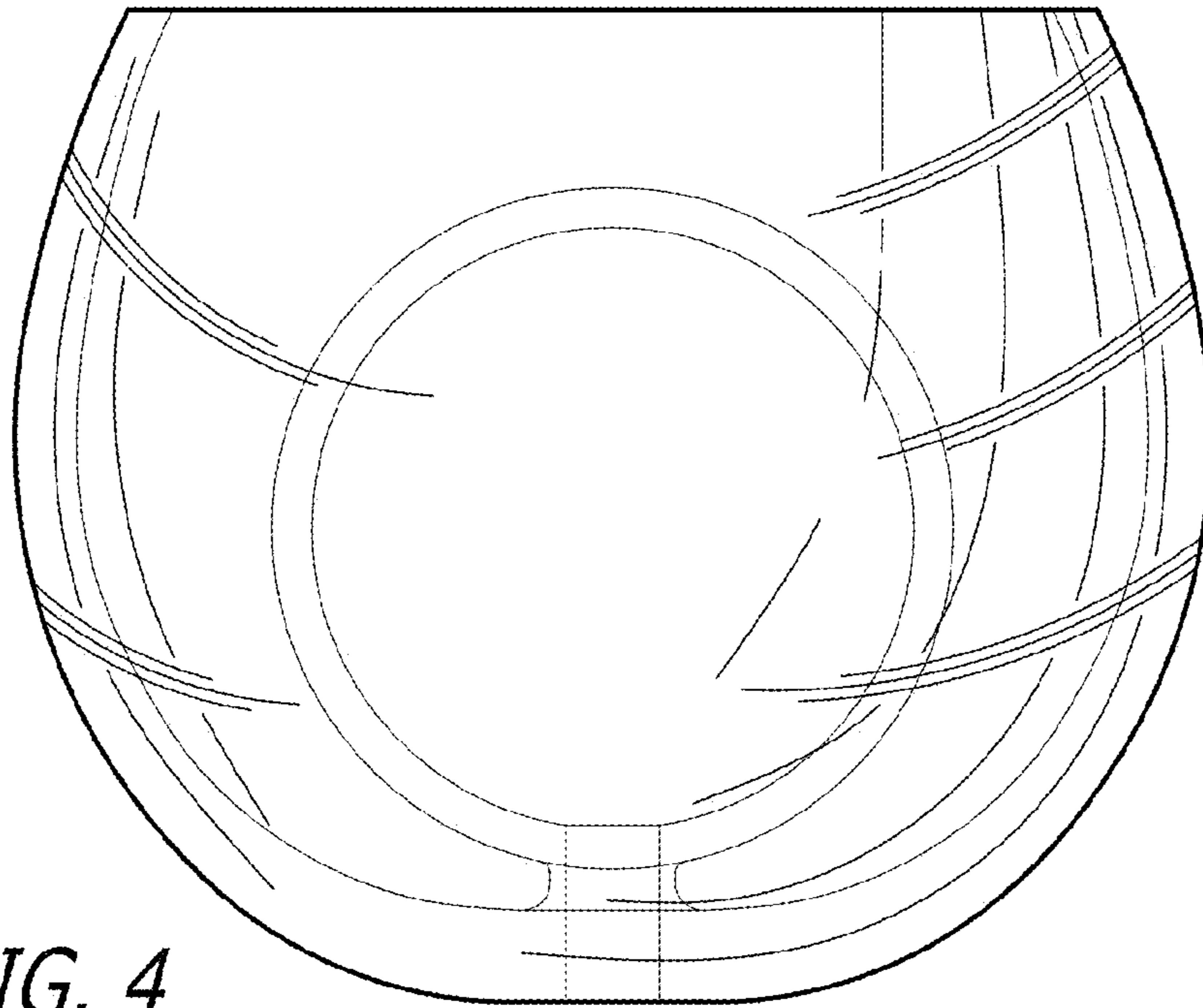


FIG. 4

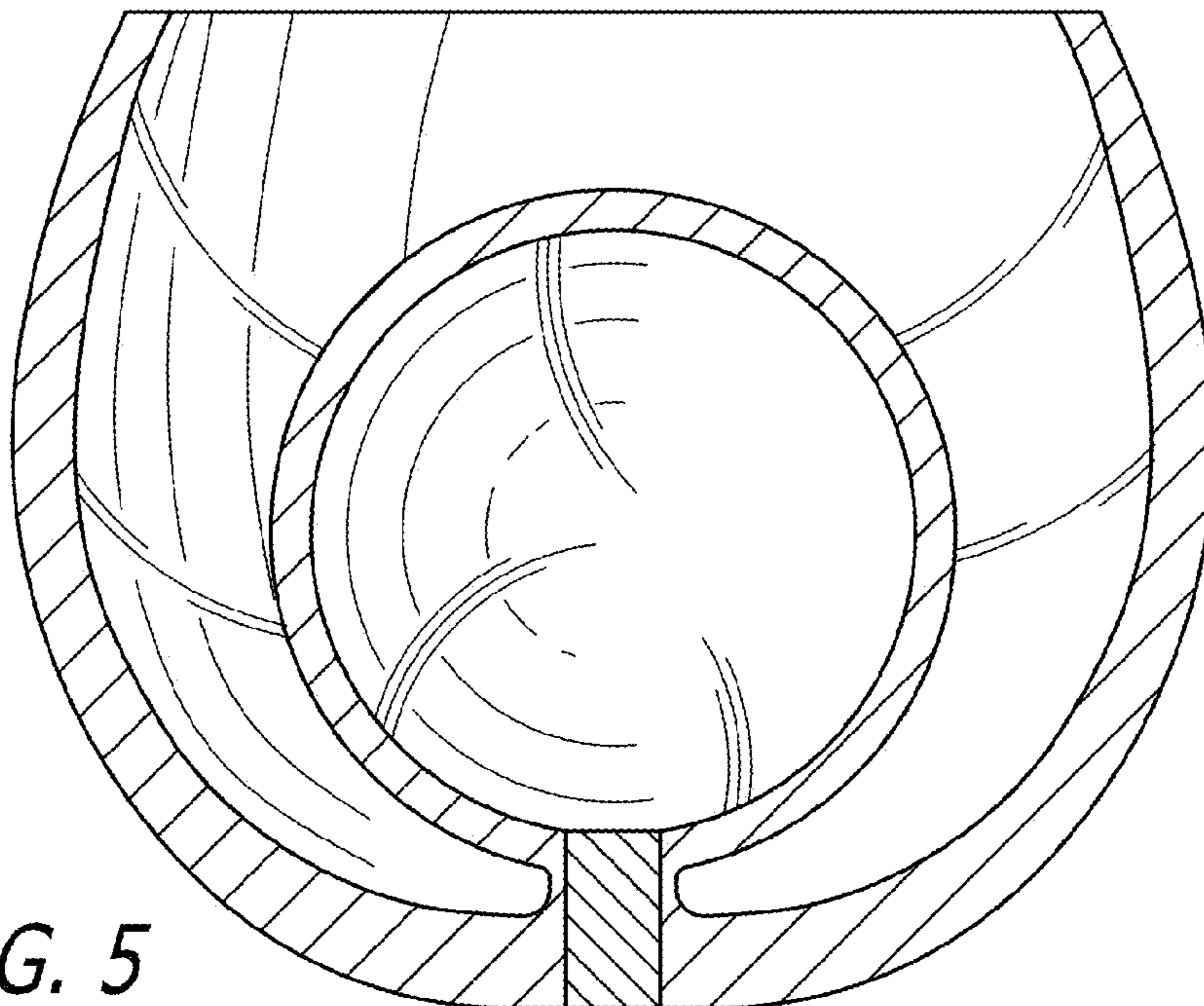


FIG. 5