



US00D893946S

(12) **United States Design Patent** (10) **Patent No.:** **US D893,946 S**  
**McConnell et al.** (45) **Date of Patent:** **\*\* Aug. 25, 2020**

(54) **KETTLE**  
(71) Applicant: **WHIRLPOOL CORPORATION**,  
Benton Harbor, MI (US)  
(72) Inventors: **John W. McConnell**, St. Joseph, MI  
(US); **Ben C. Shao**, Clarendon Hills, IL  
(US); **Wenkai Wu**, Aurora, IL (US)  
(73) Assignee: **Whirlpool Corporation**, Benton Harbor,  
MI (US)  
(\*\*) Term: **15 Years**  
(21) Appl. No.: **29/716,346**  
(22) Filed: **Dec. 9, 2019**

D713,669 S 9/2014 Norland et al.  
D714,581 S 10/2014 Shao  
D714,582 S 10/2014 Norland et al.  
D714,586 S 10/2014 Grasselli et al.  
D720,176 S 12/2014 Norland et al.  
D777,500 S 1/2017 Lee et al.  
D815,874 S 4/2018 Chung et al.  
D818,756 S 5/2018 Averty  
D824,715 S 8/2018 Bradshaw et al.  
D827,355 S 9/2018 Powell  
D864,646 S \* 10/2019 Josancy ..... D7/317  
2005/0229788 A1 10/2005 White  
2010/0270284 A1\* 10/2010 Cohen ..... A47J 27/21175  
219/429  
2012/0145698 A1\* 6/2012 Von Seidel ..... A47J 27/21016  
219/438

\* cited by examiner

*Primary Examiner* — Derrick E Holland  
*Assistant Examiner* — Andrew Kerr  
(74) *Attorney, Agent, or Firm* — Price Heneveld LLP

**Related U.S. Application Data**

(62) Division of application No. 29/621,638, filed on Oct.  
10, 2017, now Pat. No. Des. 873,072.  
(51) **LOC (12) Cl.** ..... **07-99**  
(52) **U.S. Cl.**  
USPC ..... **D7/399**  
(58) **Field of Classification Search**  
USPC ..... D7/316-321, 378, 384, 397, 399, 598,  
D7/401.1, 600, 619.1, 622; D9/544, 545,  
D9/549, 435  
CPC .... A47J 27/21175; A47J 31/00; A47J 31/005;  
A47J 27/21008; A47J 27/21166; A47G  
19/12; A47G 19/14; A47G 19/22  
See application file for complete search history.

(57) **CLAIM**

We claim the ornamental design for a kettle, as shown and described.

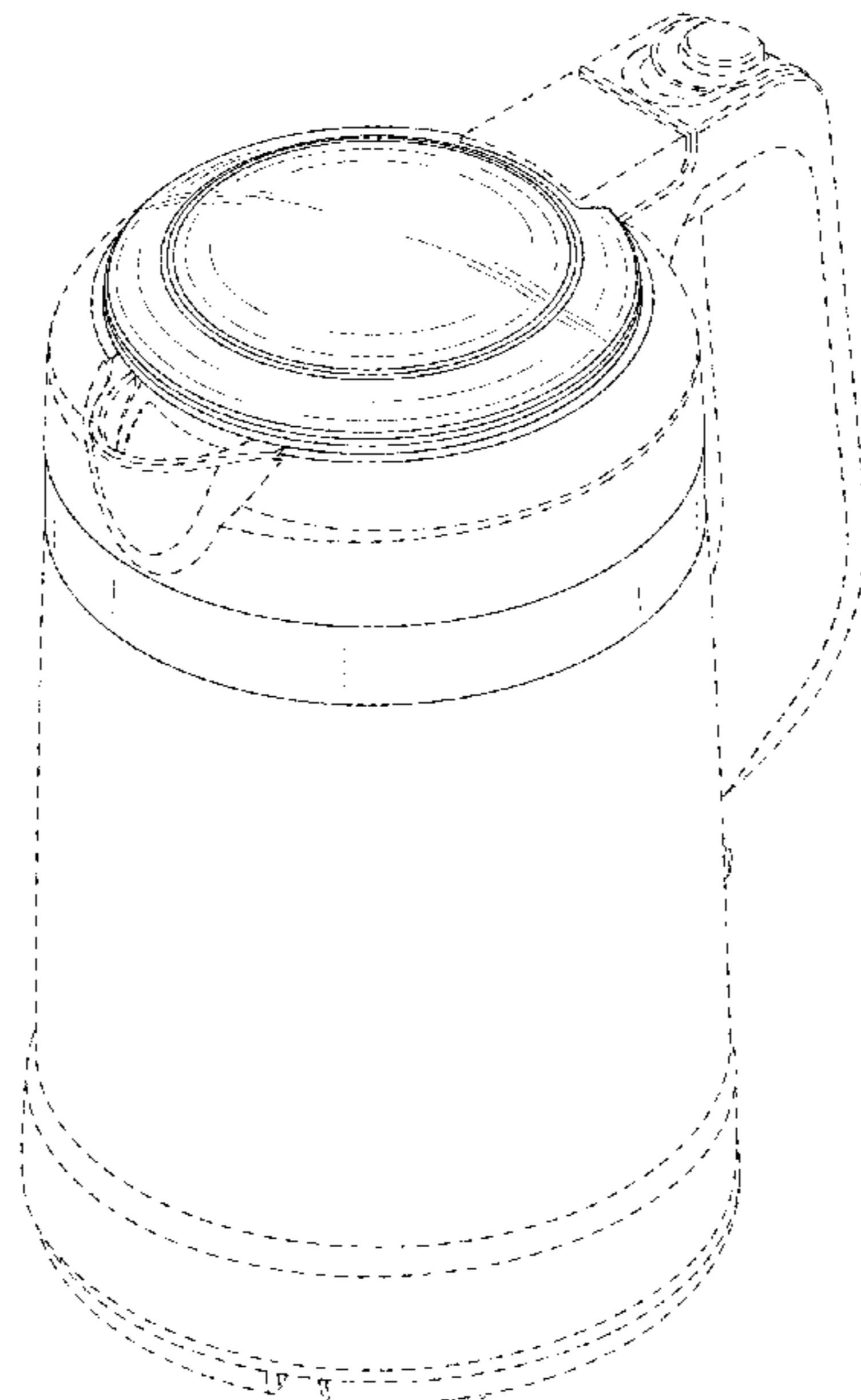
**DESCRIPTION**

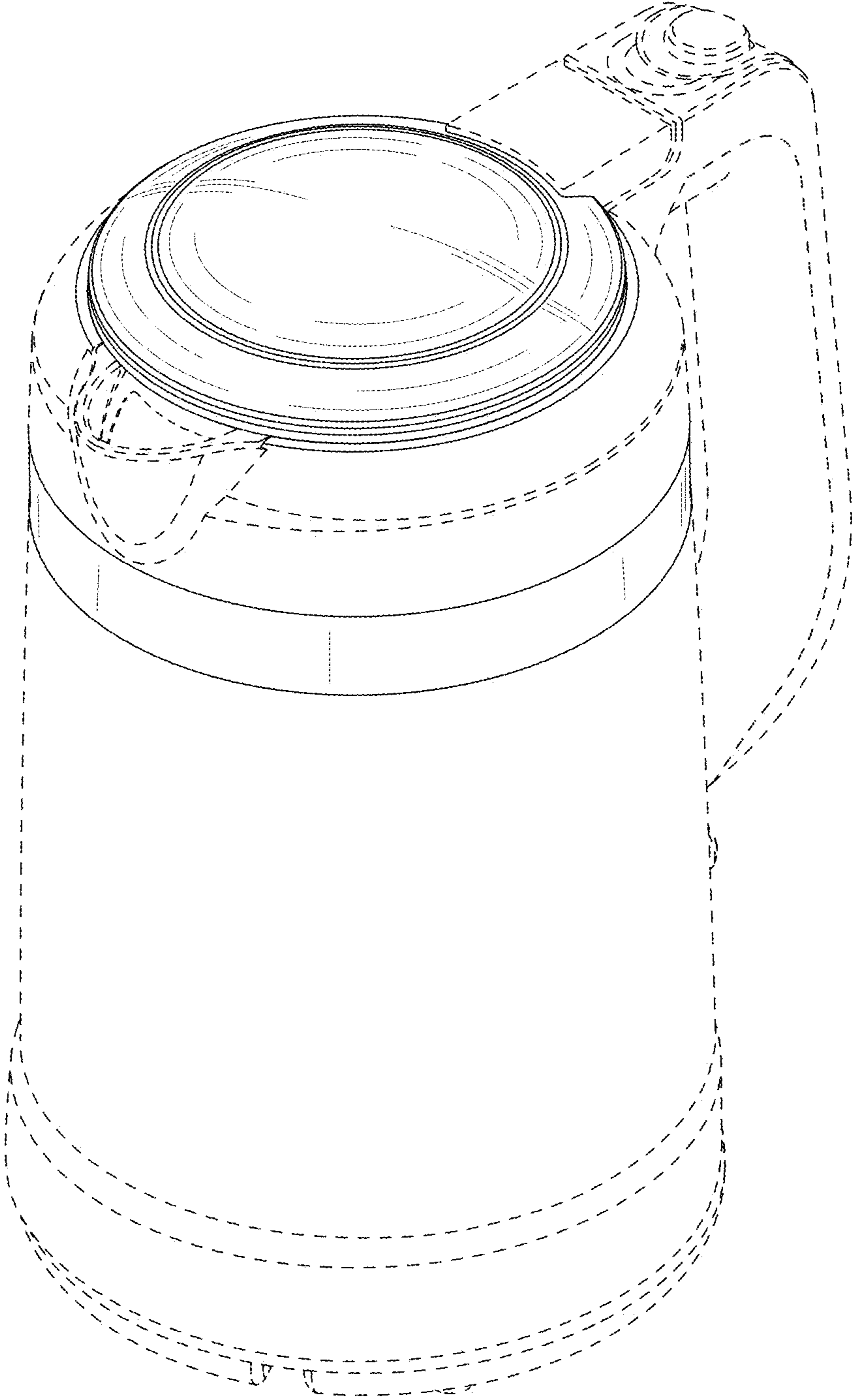
FIG. 1 is a front perspective view of a kettle, showing our new design;  
FIG. 2 is a rear perspective view of the kettle of FIG. 1;  
FIG. 3 is a front elevational view of the kettle of FIG. 1;  
FIG. 4 is a rear elevational view of the kettle of FIG. 1;  
FIG. 5 is a first side elevational view of the kettle of FIG. 1;  
FIG. 6 is a second side elevational view of the kettle of FIG. 1;  
FIG. 7 is a top plan view of the kettle of FIG. 1; and,  
FIG. 8 is a bottom plan view of the kettle of FIG. 1.  
The broken lines depict the portions of the kettle that form no part of the claimed design.

(56) **References Cited**  
U.S. PATENT DOCUMENTS

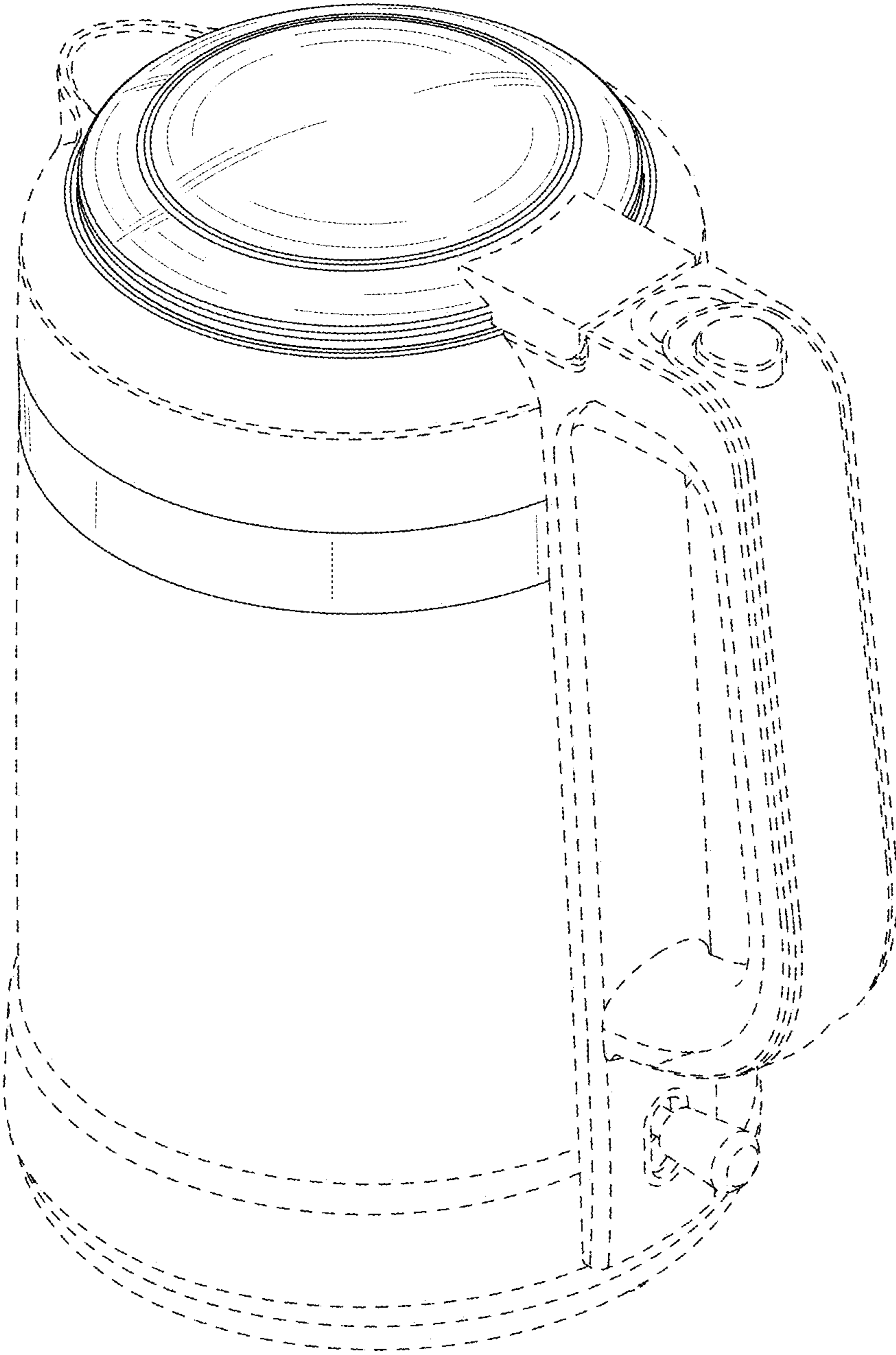
4,623,457 A 11/1986 Hankammer  
D562,053 S \* 2/2008 Cohen ..... D7/317  
D622,090 S 8/2010 Bodum  
D680,792 S 4/2013 Bodum

**1 Claim, 8 Drawing Sheets**

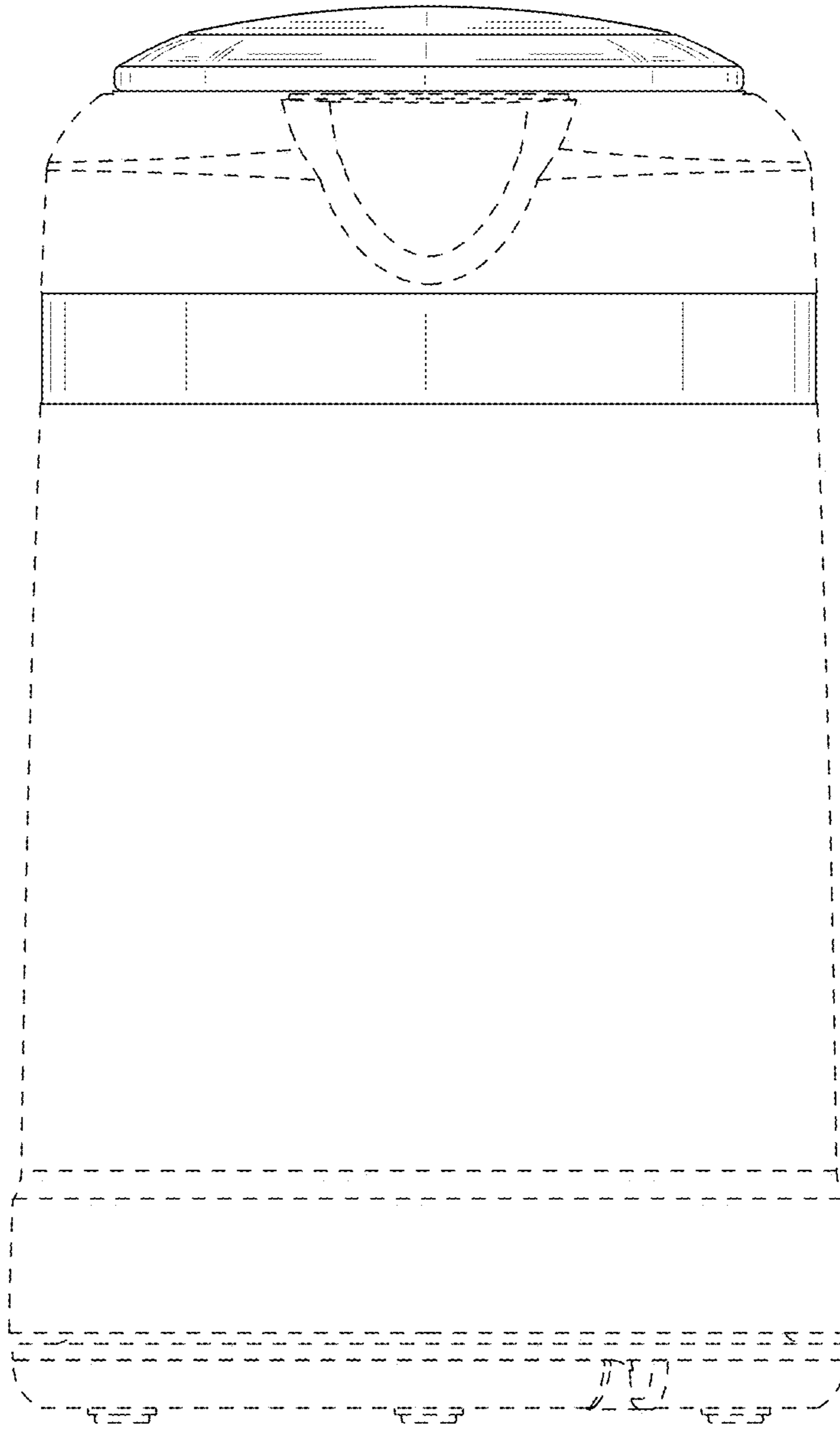




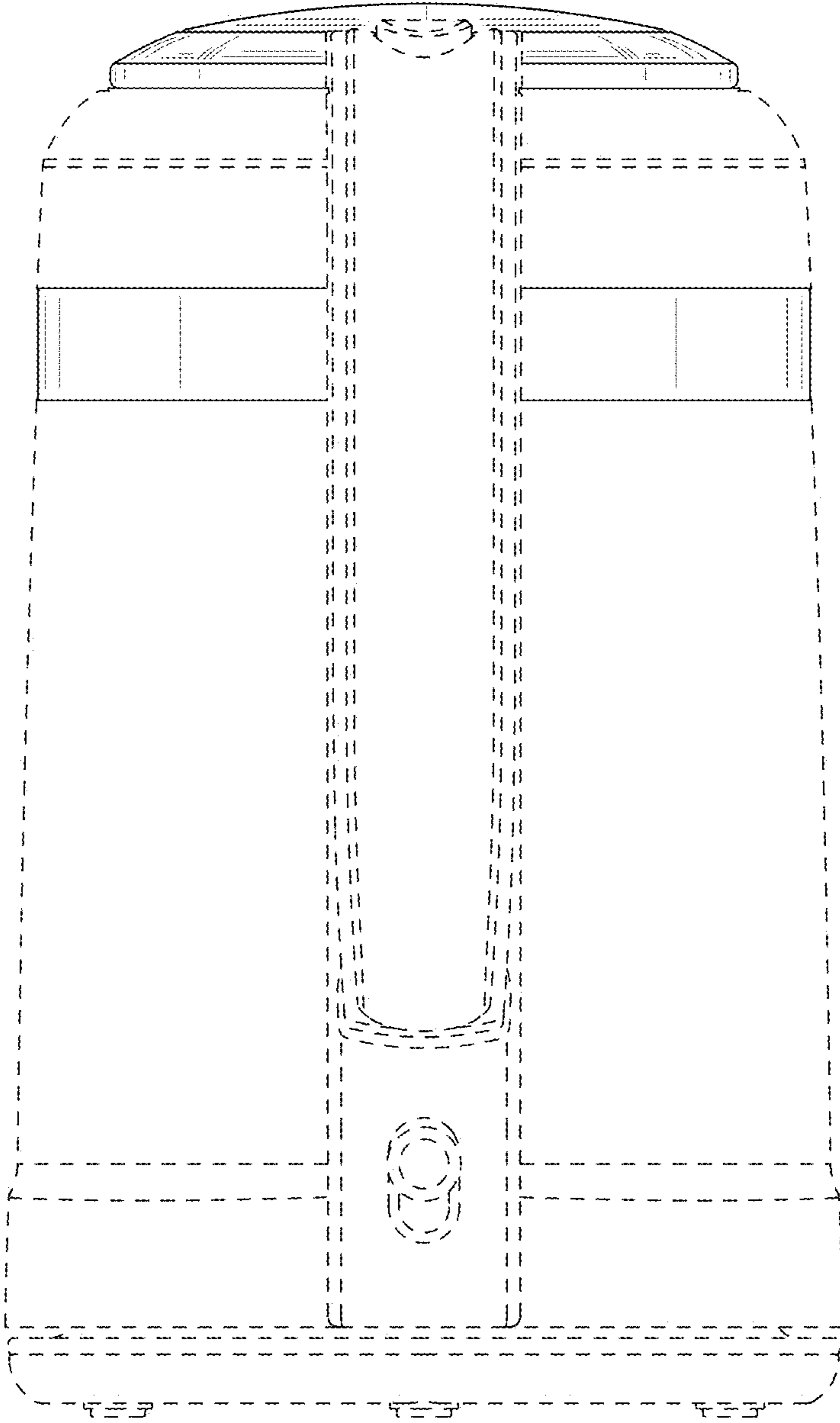
**FIG. 1**



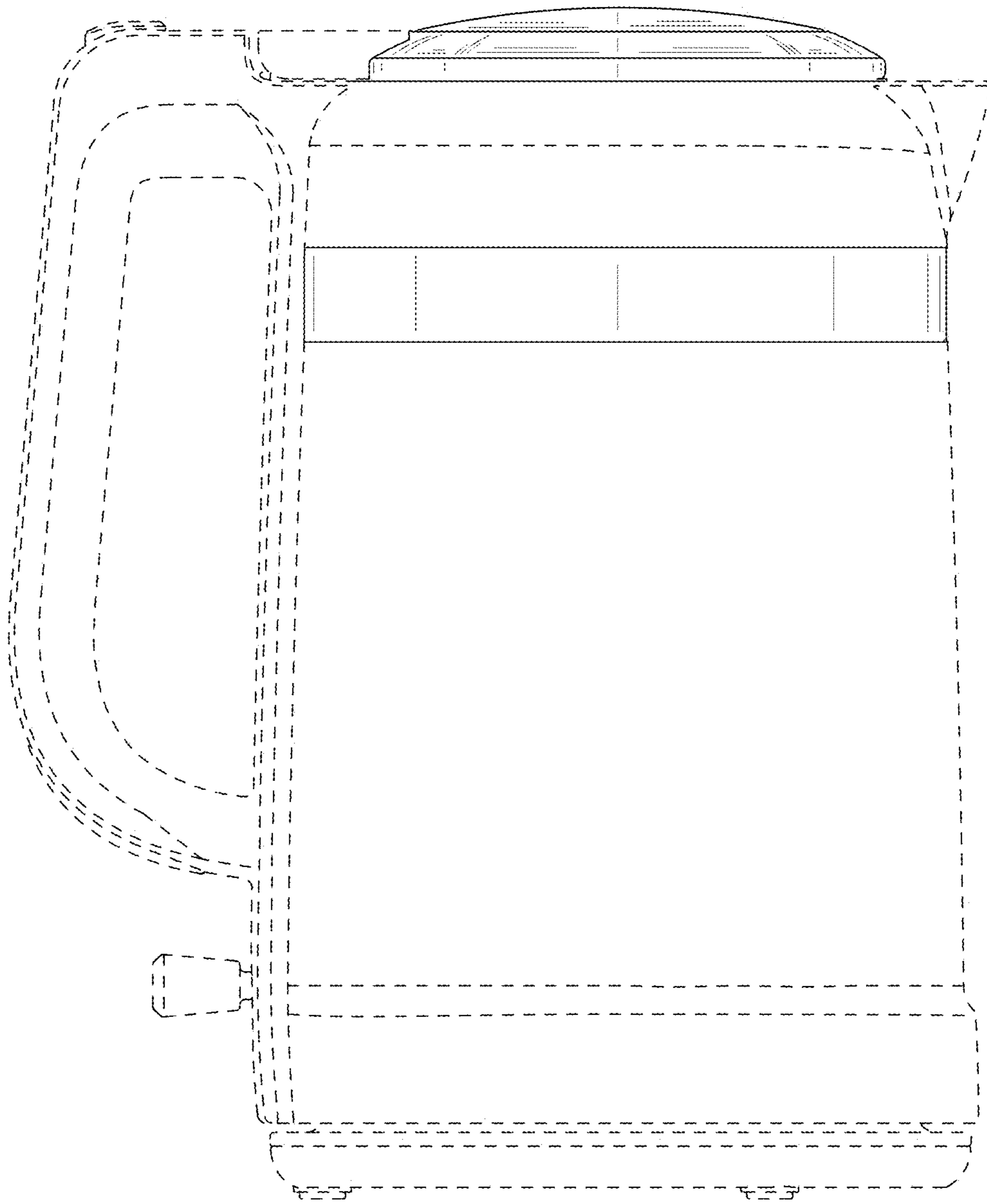
**FIG. 2**



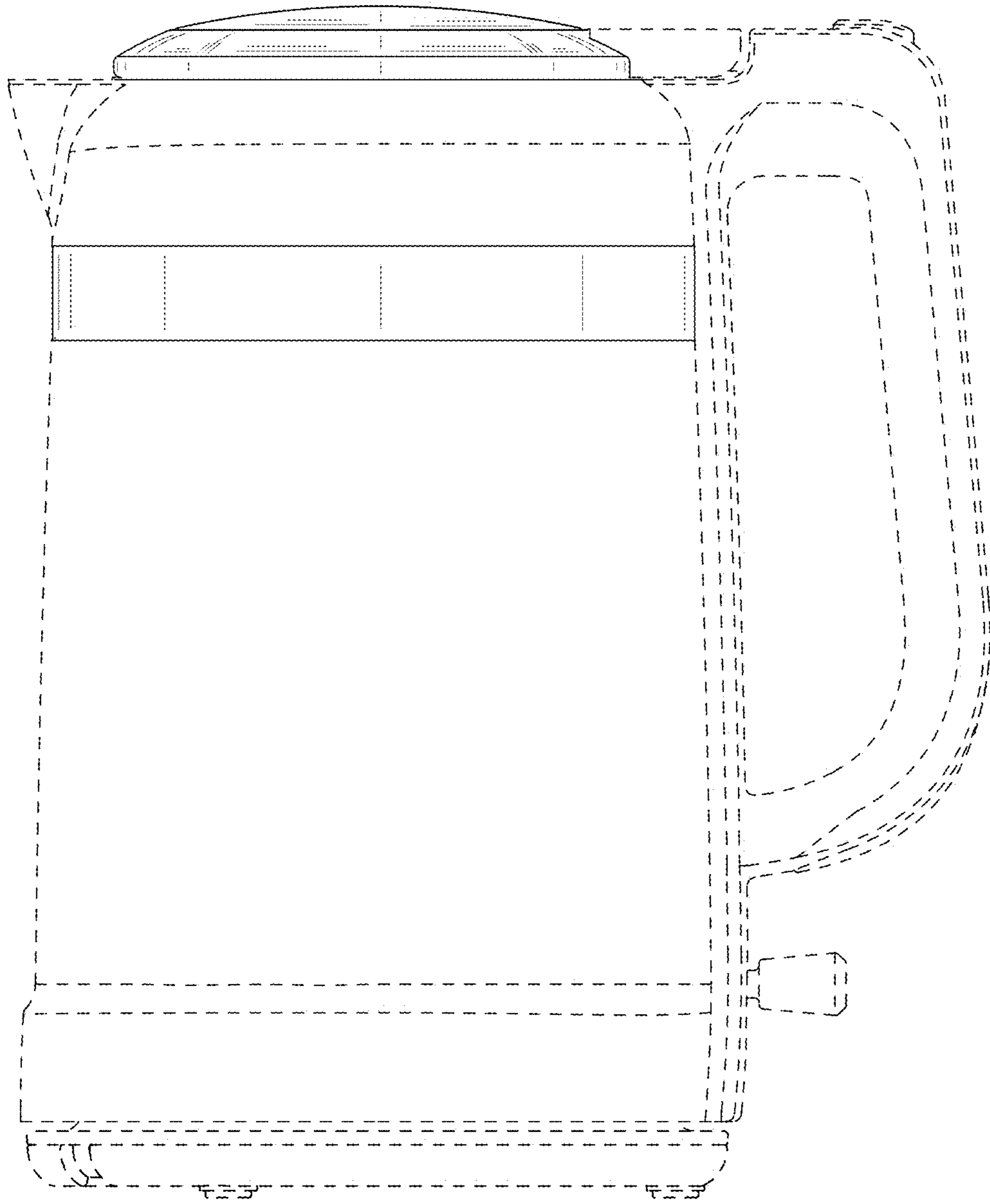
**FIG. 3**



**FIG. 4**



**FIG. 5**



**FIG. 6**

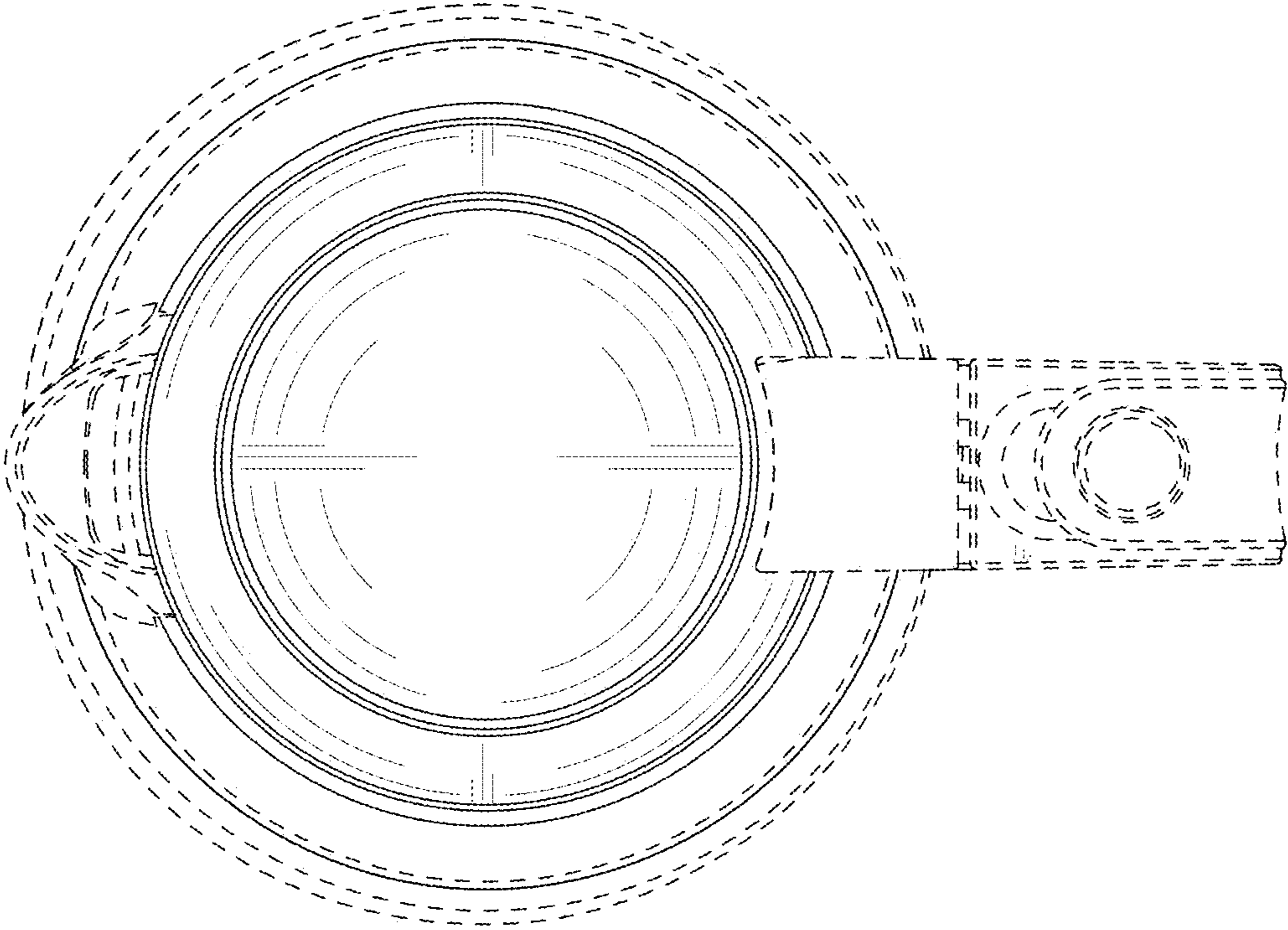
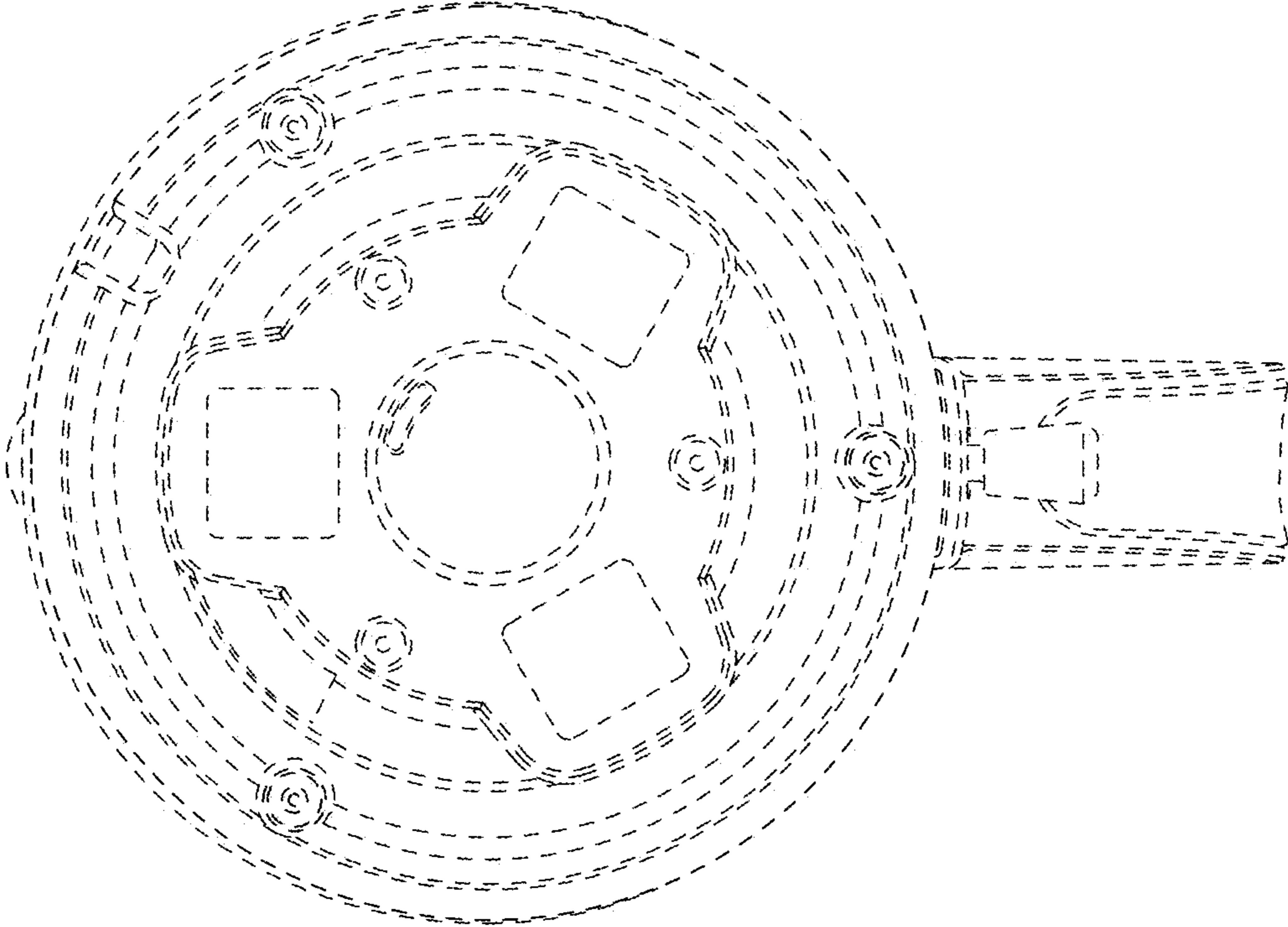


FIG. 7





**FIG. 8**