



US00D893945S

(12) **United States Design Patent**
Cauwood et al.

(10) **Patent No.:** **US D893,945 S**

(45) **Date of Patent:** **** Aug. 25, 2020**

(54) **BEVERAGE MACHINE**

(71) Applicant: **Keurig Green Mountain, Inc.**,
Burlington, MA (US)

(72) Inventors: **Peter David Cauwood**, Cambridge
(GB); **Iain James Sabberton**,
Cambridge (GB); **Matthew John**
Maitland, Cambridge (GB); **Keith Paul**
Thompson, Cambridge (GB)

(73) Assignee: **Keurig Green Mountain, Inc.**,
Burlington, MA (US)

(**) Term: **15 Years**

(21) Appl. No.: **29/718,068**

(22) Filed: **Dec. 20, 2019**

Related U.S. Application Data

(62) Division of application No. 29/635,993, filed on Feb.
5, 2018, now Pat. No. Des. 877,563.

(51) **LOC (12) Cl.** **07-99**

(52) **U.S. Cl.**
USPC **D7/397**; D7/399; D7/306

(58) **Field of Classification Search**
USPC D7/300, 309-311, 306-308, 305, 397,
D7/355, 362, 365, 367, 399; 222/146.6,
222/185.1, 135; 99/295, 273, 304, 288,
99/279, 307, 283
CPC A47J 31/02; A47J 31/407; A47J 31/50;
A47J 31/18; A47J 31/061; A47J 27/04;
A47J 31/0573; A47J 31/52; A47J
31/3633; Y10T 74/18296

See application file for complete search history.

(56) **References Cited**

U.S. PATENT DOCUMENTS

D343,758 S * 2/1994 Beeren D7/309
D356,923 S * 4/1995 Reinardy D7/309

D497,278 S * 10/2004 Picozza D7/309
D498,110 S * 11/2004 Picozza D7/309
D502,841 S * 3/2005 Santer D7/309
D546,112 S * 7/2007 Rorke D7/309
D550,499 S * 9/2007 Argabrite D7/309
D558,506 S * 1/2008 Garman D7/306
7,347,138 B2 * 3/2008 Bragg A47J 31/3695
99/289 R
D580,208 S * 11/2008 Cheng D7/306

(Continued)

OTHER PUBLICATIONS

[No Author Listed] Image of Breville BKC600XL, publicly avail-
able prior to Feb. 5, 2018, 1 page.

(Continued)

Primary Examiner — Marianne N Pandozzi

(74) *Attorney, Agent, or Firm* — Wolf, Greenfield &
Sacks, P.C.

(57) **CLAIM**

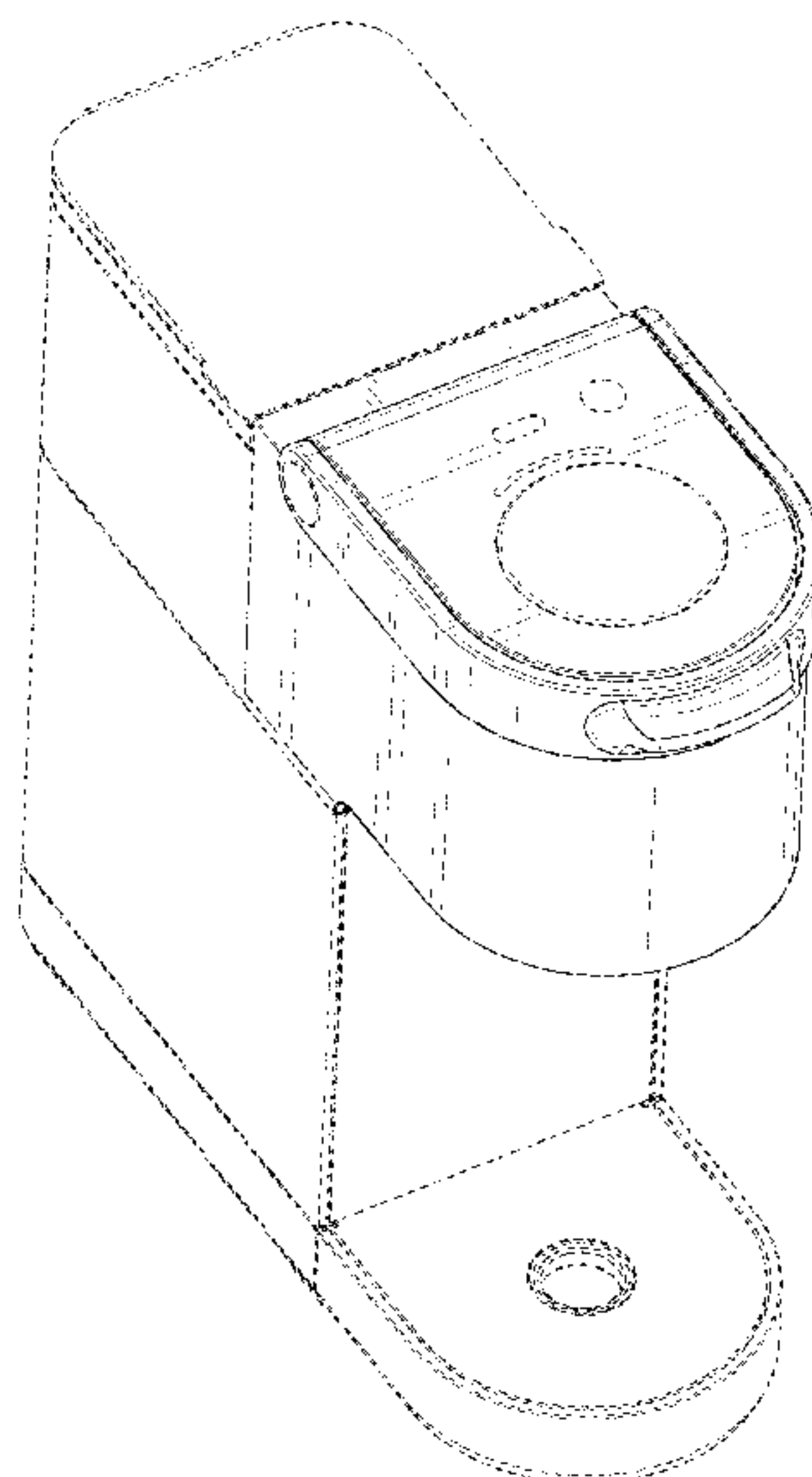
The ornamental design for a beverage machine, as shown
and described.

DESCRIPTION

FIG. 1 is a top, front, left side perspective view of a beverage
machine showing a our new design;
FIG. 2 is a top, front, right side perspective view thereof;
FIG. 3 is a front elevation view thereof;
FIG. 4 is a rear elevation view thereof;
FIG. 5 is a left side elevation view thereof;
FIG. 6 is a right side elevation view thereof;
FIG. 7 is a top plan view thereof; and,
FIG. 8 is a bottom plan view thereof.

The short dash-long dash broken lines illustrate boundaries
of the claimed design and form no part of the claimed
design. The dash-dash broken lines illustrate portions of the
beverage machine that form no part of the claimed design.

1 Claim, 8 Drawing Sheets



(56)

References Cited

U.S. PATENT DOCUMENTS

D585,229	S	*	1/2009	de Visser	D7/309
D677,510	S	*	3/2013	Tetreault	D7/309
D707,070	S	*	6/2014	De'Longhi	D7/309
D719,776	S	*	12/2014	Kunz	D7/309
D721,531	S	*	1/2015	Krasne	D7/309
D728,986	S	*	5/2015	De'Longhi	D7/309
D730,674	S	*	6/2015	De'Longhi	D7/309
D735,515	S	*	8/2015	Fusco	D7/306
D739,677	S	*	9/2015	Du	D7/309
D742,680	S	*	11/2015	Burrows	D7/309
9,516,969	B2	*	12/2016	Weflen A47J 31/3633	
D777,498	S	*	1/2017	Bandixen	D7/306
D812,956	S	*	3/2018	Liang	D7/310
D823,041	S	*	7/2018	Bazzicalupo	D7/309
D843,765	S	*	3/2019	Fedorak	D7/306
D849,464	S	*	5/2019	McConnell	D7/310
D868,535	S	*	12/2019	Hale	D7/397
D877,563	S	*	3/2020	Cauwood	D7/397
D879,532	S	*	3/2020	Kaplan	D7/306

OTHER PUBLICATIONS

[No Author Listed] Images of SodaStream, publicly available prior to Feb. 5, 2018, 2 pages.

* cited by examiner

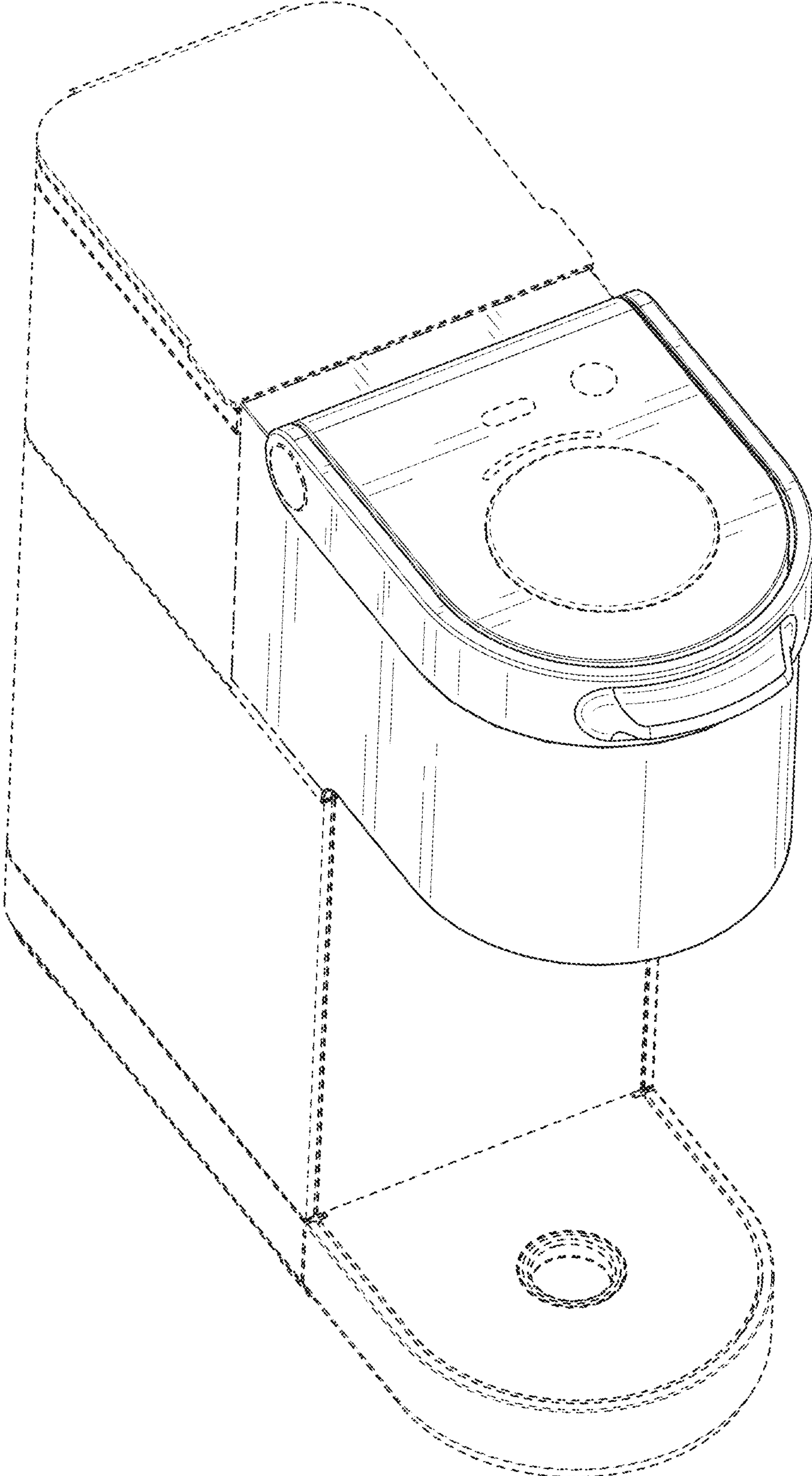


FIG. 1

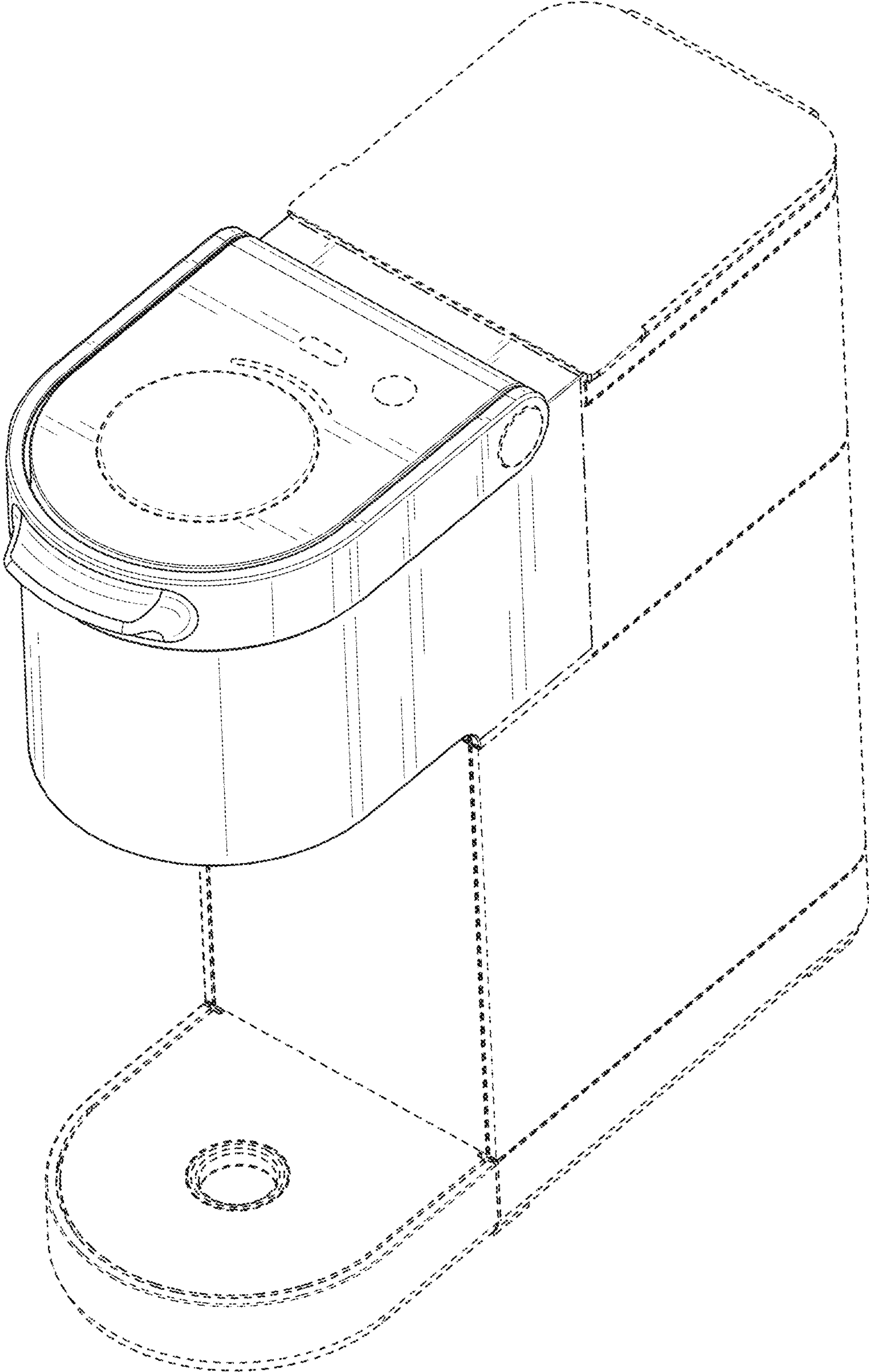


FIG. 2

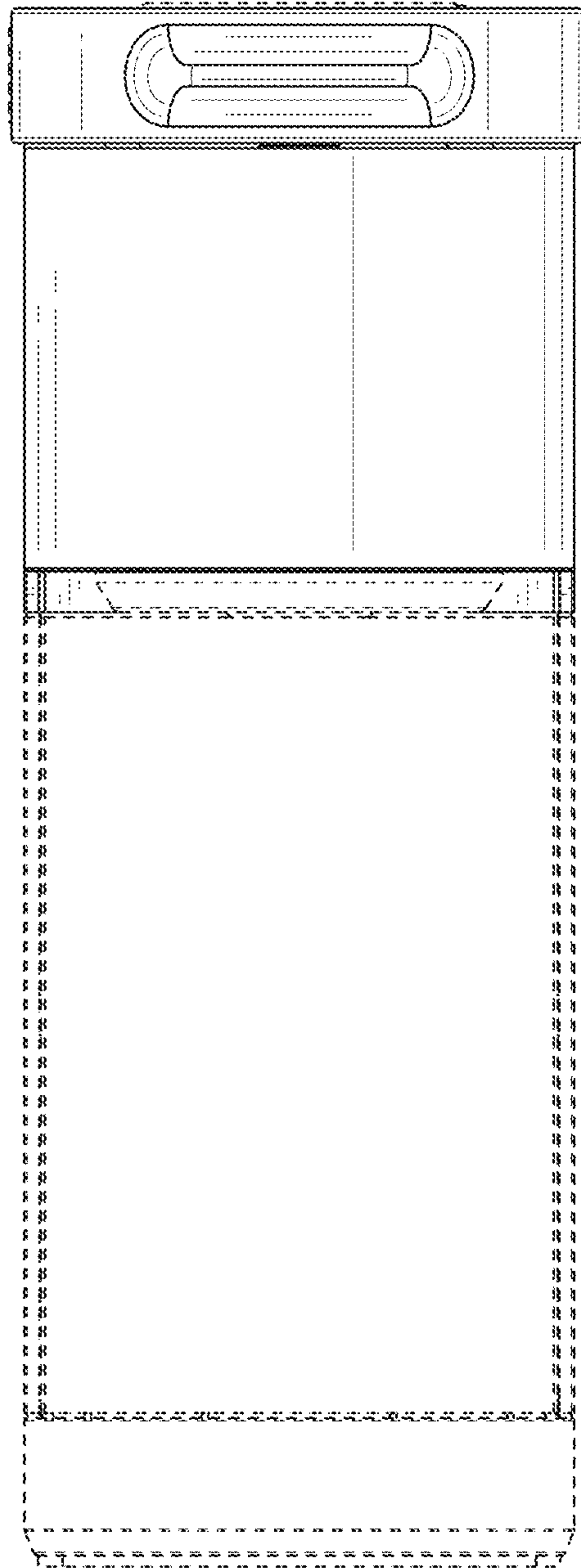


FIG. 3

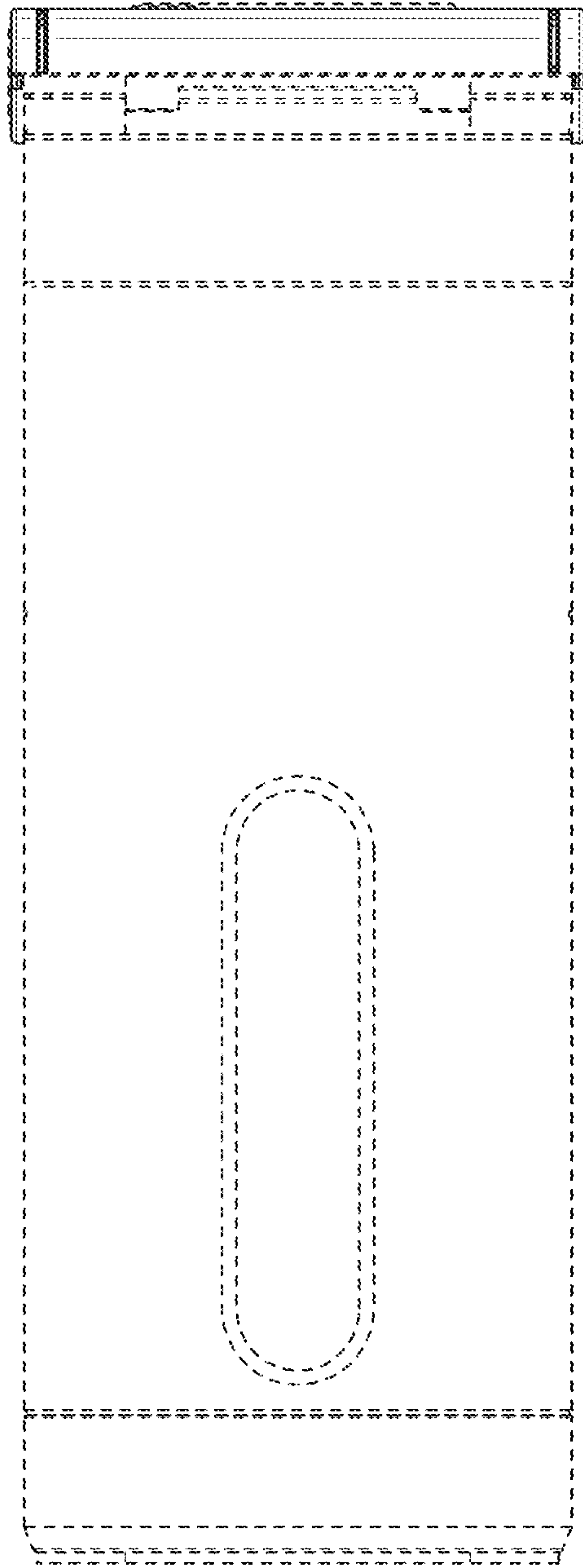


FIG. 4

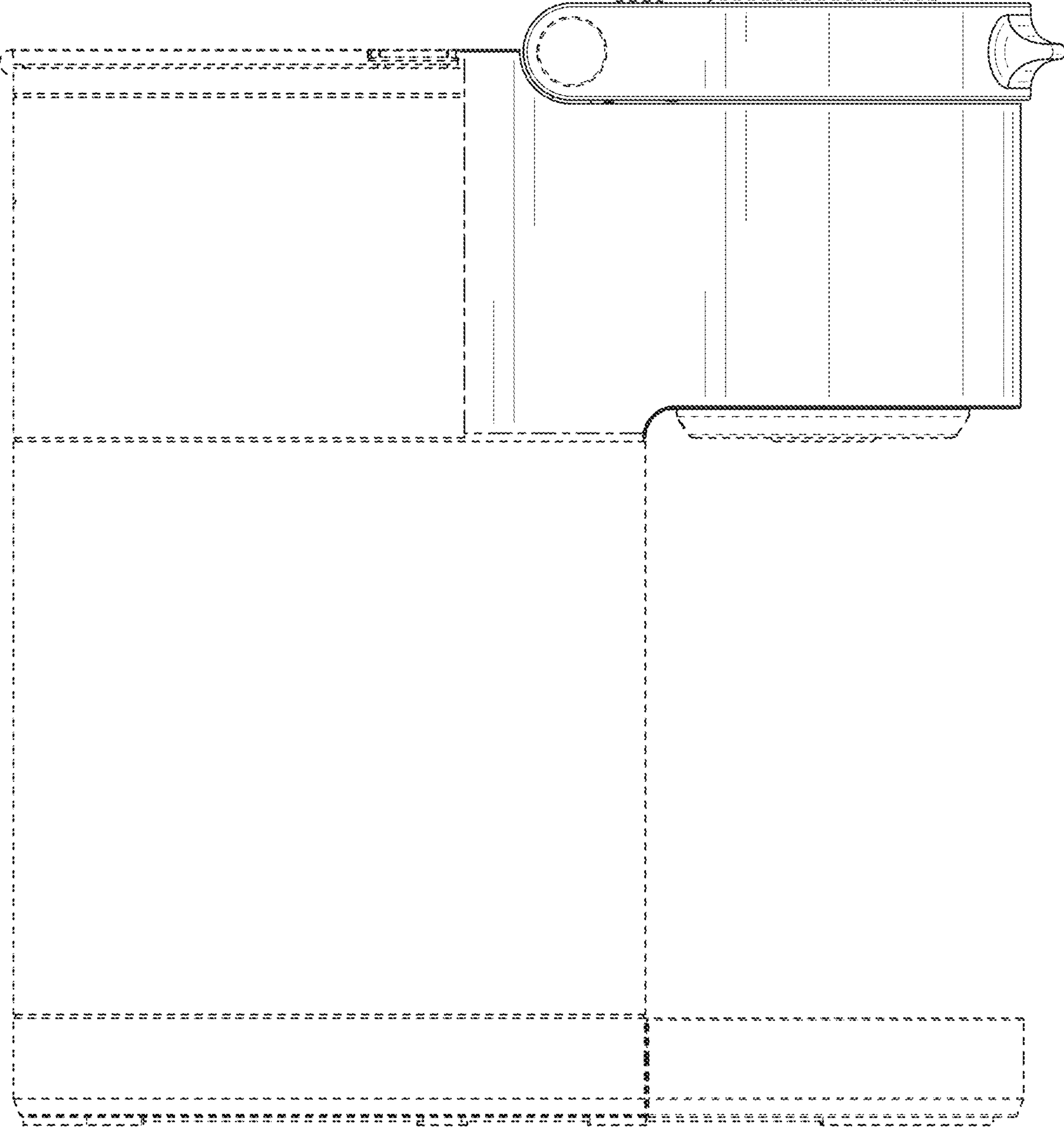


FIG. 5

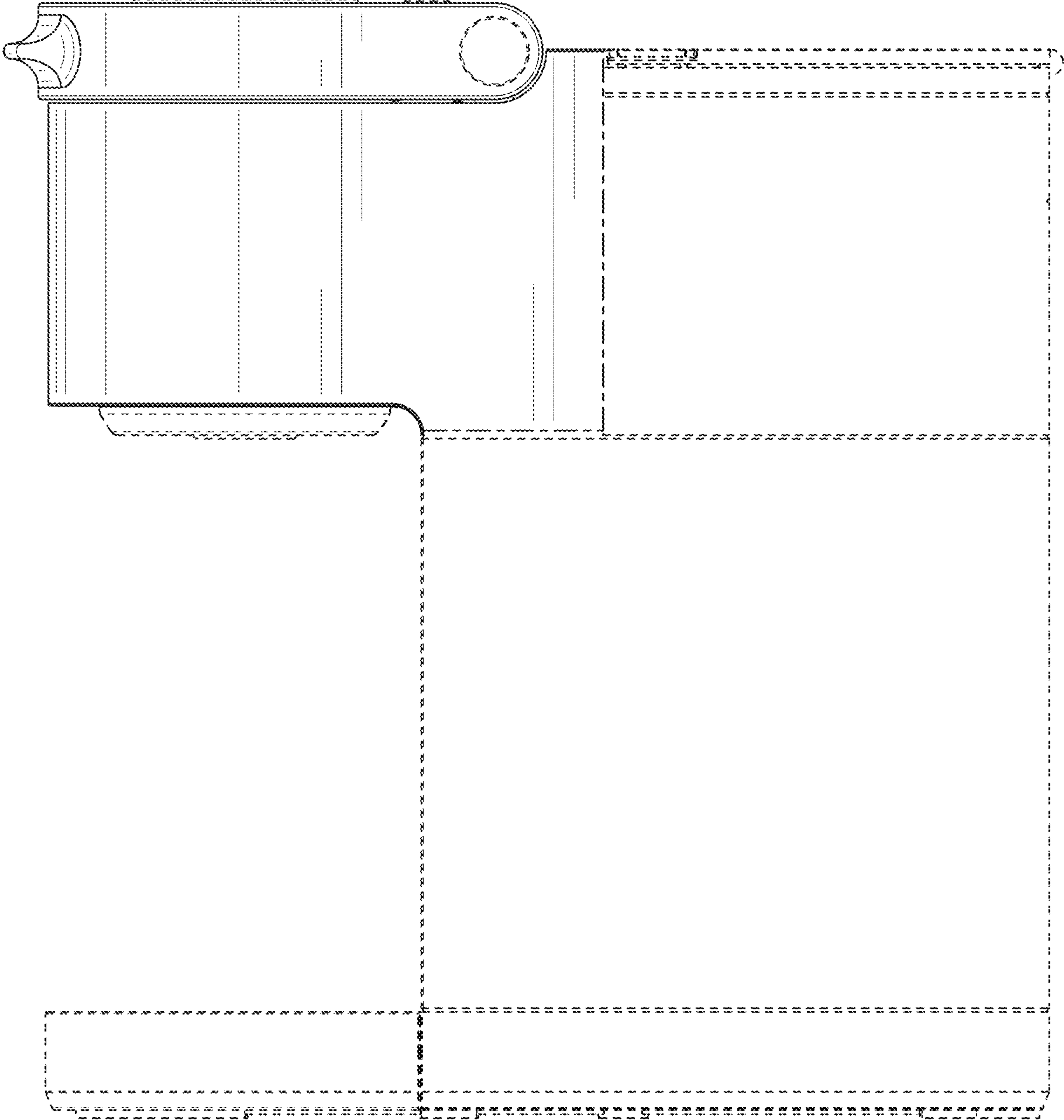


FIG. 6

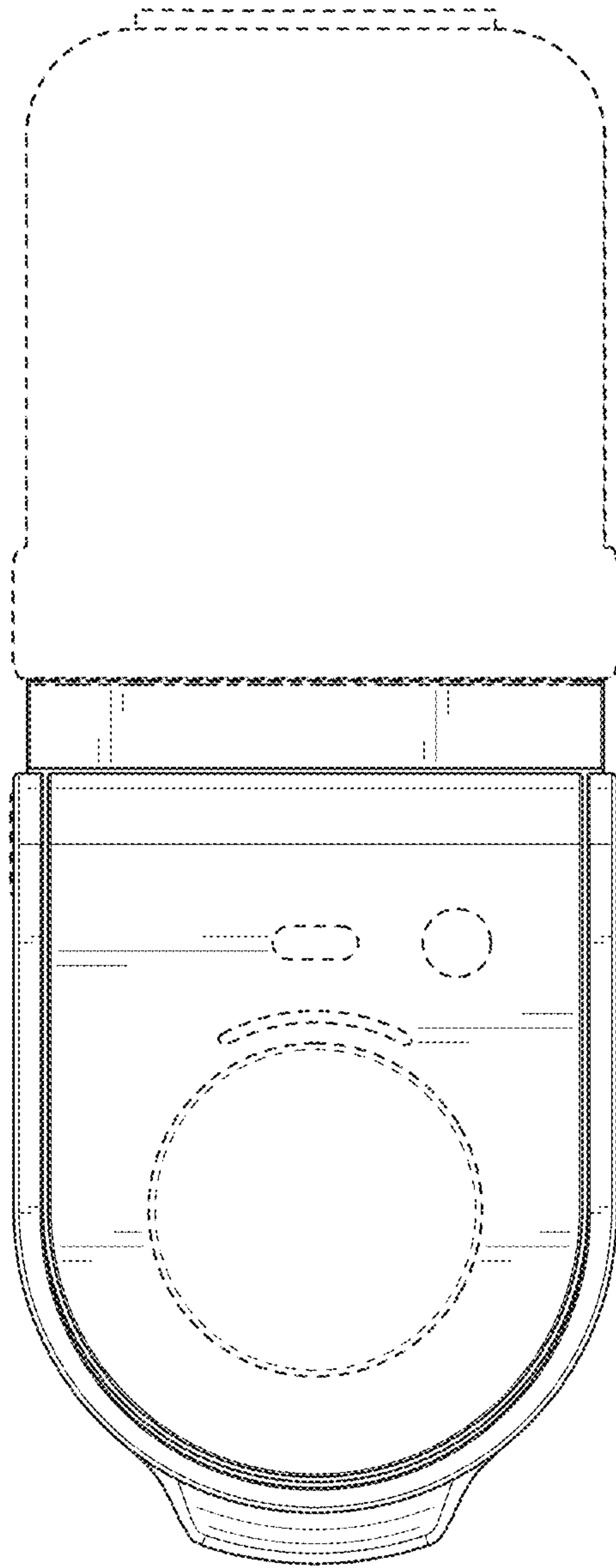


FIG. 7

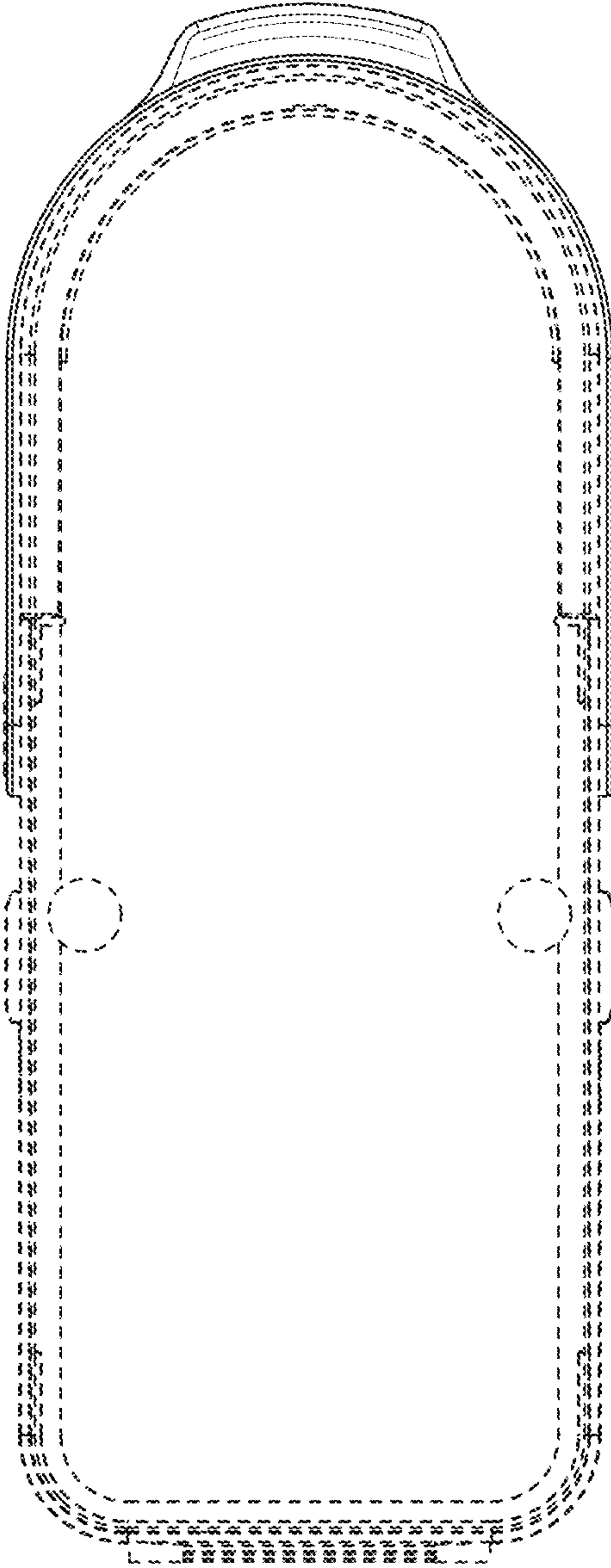


FIG. 8