



US00D893944S

(12) **United States Design Patent** (10) **Patent No.:** **US D893,944 S**
Mohammed et al. (45) **Date of Patent:** **** Aug. 25, 2020**

- (54) **FROZEN BEVERAGE DISPENSER** 3,626,709 A * 12/1971 Yuza A23G 9/045
62/116
- (71) Applicant: **The Vollrath Company, L.L.C.,** D257,364 S * 10/1980 Molenaar D21/458
Sheboygan, WI (US) D261,890 S * 11/1981 Caspersen D15/81
4,364,666 A * 12/1982 Keyes A23G 9/12
116/227
- (72) Inventors: **Aamer Mohammed,** Manitowoc, WI D298,434 S * 11/1988 Makihara D15/80
(US); **Ken Wetenkamp,** Plymouth, WI 5,025,840 A * 6/1991 Tacke A23G 9/163
(US) 141/251
D331,785 S * 12/1992 Mast D21/458
(Continued)
- (73) Assignee: **The Vollrath Company, L.L.C.,**
Sheboygan, WI (US)

(**) Term: **15 Years**

(21) Appl. No.: **29/689,506**

(22) Filed: **Apr. 30, 2019**

Related U.S. Application Data

(60) Continuation of application No. 29/603,712, filed on May 11, 2017, now Pat. No. Des. 848,212, which is a division of application No. 29/541,359, filed on Oct. 2, 2015, now Pat. No. Des. 789,141.

(51) **LOC (12) Cl.** **07-99**

(52) **U.S. Cl.**
USPC **D7/397; D7/306**

(58) **Field of Classification Search**
USPC D7/306-311, 305, 300, 313, 397, 374,
D7/412, 370, 371, 376; 99/279, 284,
99/290, 280, 299, 307, 323.1, 305;
222/146.5, 129.1, 144.5; 62/395; D20/1;
700/239; D15/80, 82; D21/458
CPC A47J 31/44; A47J 31/00; B67D 1/0041;
B67D 3/00; B67D 1/0004; B67D 1/0891;
A23G 9/045; A43G 9/12; G06F 17/00
See application file for complete search history.

(56) **References Cited**

U.S. PATENT DOCUMENTS

- D122,118 S * 8/1940 Huber D15/82
- D128,674 S * 8/1941 Erickson et al. D15/82

OTHER PUBLICATIONS

Stoelting, A Vollrath Company, Frozen Uncarbonated Beverage Dispensers, Stoelting Foodservice Equipment, Feb. 17, 2015, 2 pages.

(Continued)

Primary Examiner — Marianne N Pandozzi
(74) *Attorney, Agent, or Firm* — Foley & Lardner LLP

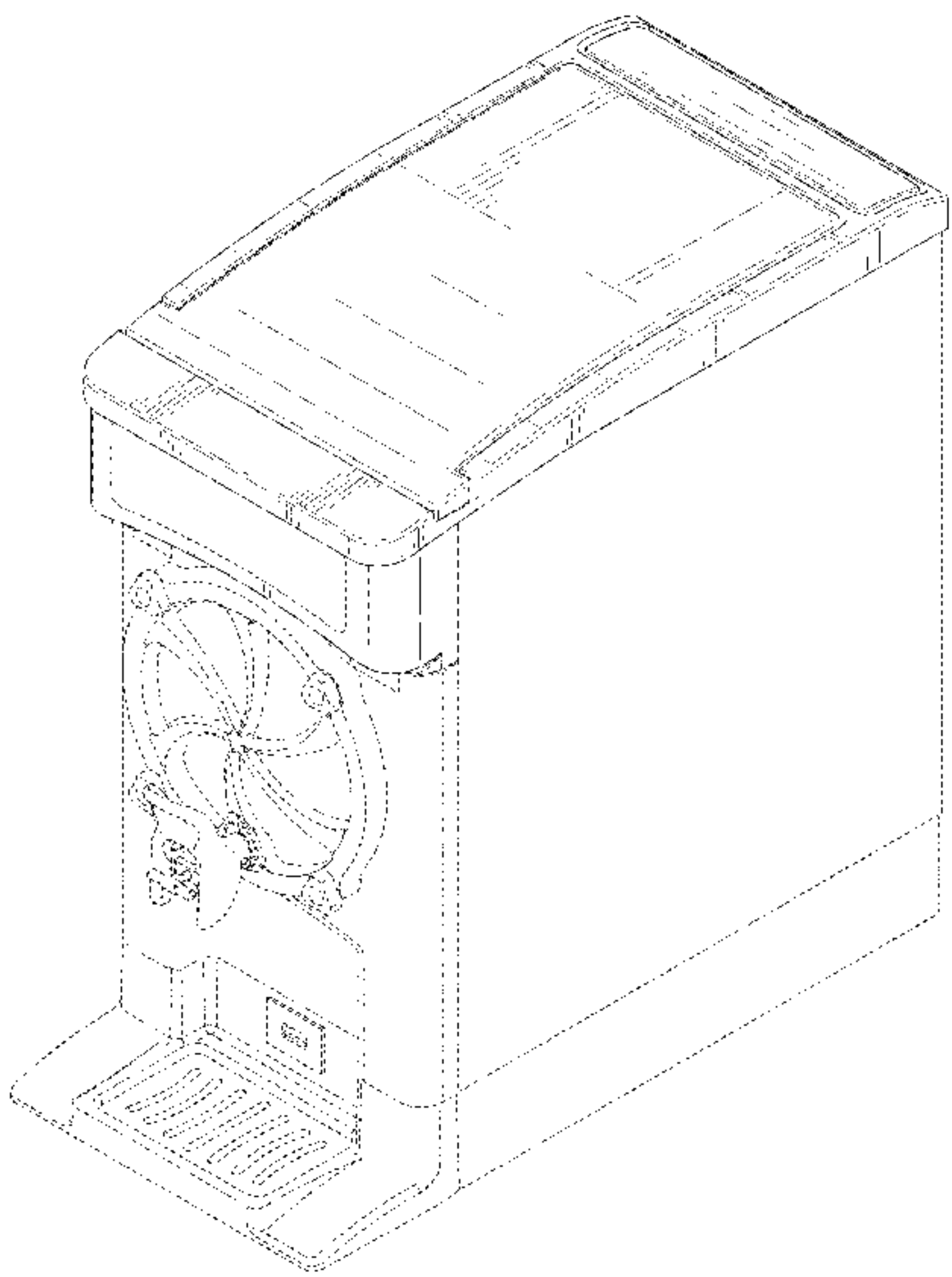
(57) **CLAIM**

We claim the ornamental design for a frozen beverage dispenser, as shown and described.

DESCRIPTION

FIG. 1 is a perspective view of a frozen beverage dispenser showing our new design;
FIG. 2 is a front view of the claimed design of FIG. 1;
FIG. 3 is a rear view of the claimed design of FIG. 1;
FIG. 4 is a right side view of the claimed design of FIG. 1;
FIG. 5 is a left side view of the claimed design of FIG. 1;
and,
FIG. 6 is a top view of the claimed design of FIG. 1, the bottom view forms no part of the claimed design.
The broken lines in the drawing depict portions of the frozen beverage dispenser that form no part of the claimed design.

1 Claim, 5 Drawing Sheets



(56)

References Cited

U.S. PATENT DOCUMENTS

5,192,909 A * 3/1993 Hardy G01R 33/446
 324/307
 D346,088 S * 4/1994 Schroeder D7/306
 D373,280 S * 9/1996 Johnson D7/306
 5,709,095 A * 1/1998 Johnson A23G 9/045
 366/311
 6,419,121 B1 * 7/2002 Gutierrez B67D 1/0004
 222/146.5
 D461,991 S * 8/2002 Cunha D7/307
 D485,566 S * 1/2004 Ledingham D15/82
 D486,687 S * 2/2004 Strandell D7/307
 D489,217 S * 5/2004 Seum D7/309
 D529,750 S * 10/2006 Baron D7/307
 D590,265 S * 4/2009 Lablaine D9/541
 D605,043 S * 12/2009 Lablaine D9/516
 7,932,663 B2 * 4/2011 Yoon H01L 41/107
 310/359
 D648,913 S * 11/2011 Fung D34/15

D651,619 S * 1/2012 Salin D15/82
 D668,912 S * 10/2012 Haggerty D7/412
 8,335,587 B2 * 12/2012 Feola A23G 9/08
 700/232
 D686,033 S * 7/2013 Burton D7/306
 D694,287 S * 11/2013 Salin D15/82
 D757,479 S * 5/2016 Steiner D7/309
 D788,510 S * 6/2017 Steiner D7/306
 D789,133 S * 6/2017 Gnadinger D7/307
 D791,533 S * 7/2017 Bond D7/309
 D838,540 S * 1/2019 Gnadinger D7/397
 2015/0097001 A1 * 4/2015 Gatipon B67D 1/0857
 222/108

OTHER PUBLICATIONS

Stoelting, A Vollrath Company, L.L.C., Enhance the Appeal of Your Frozen Beverage Menu, Frozen Uncarbonated Beverage Dispensers, available at least as early as Jan. 1, 2015, 1 page.

* cited by examiner

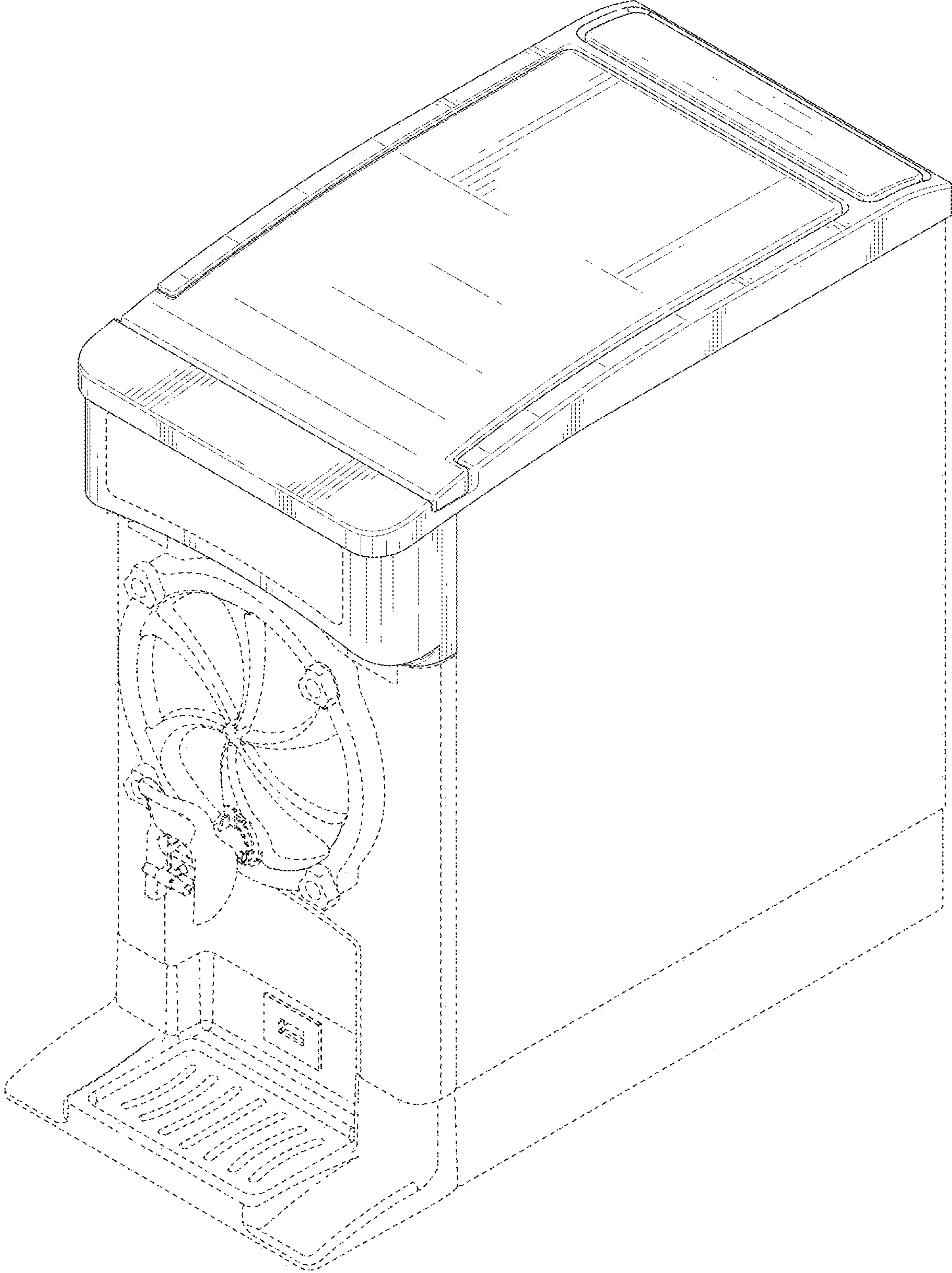


FIG. 1

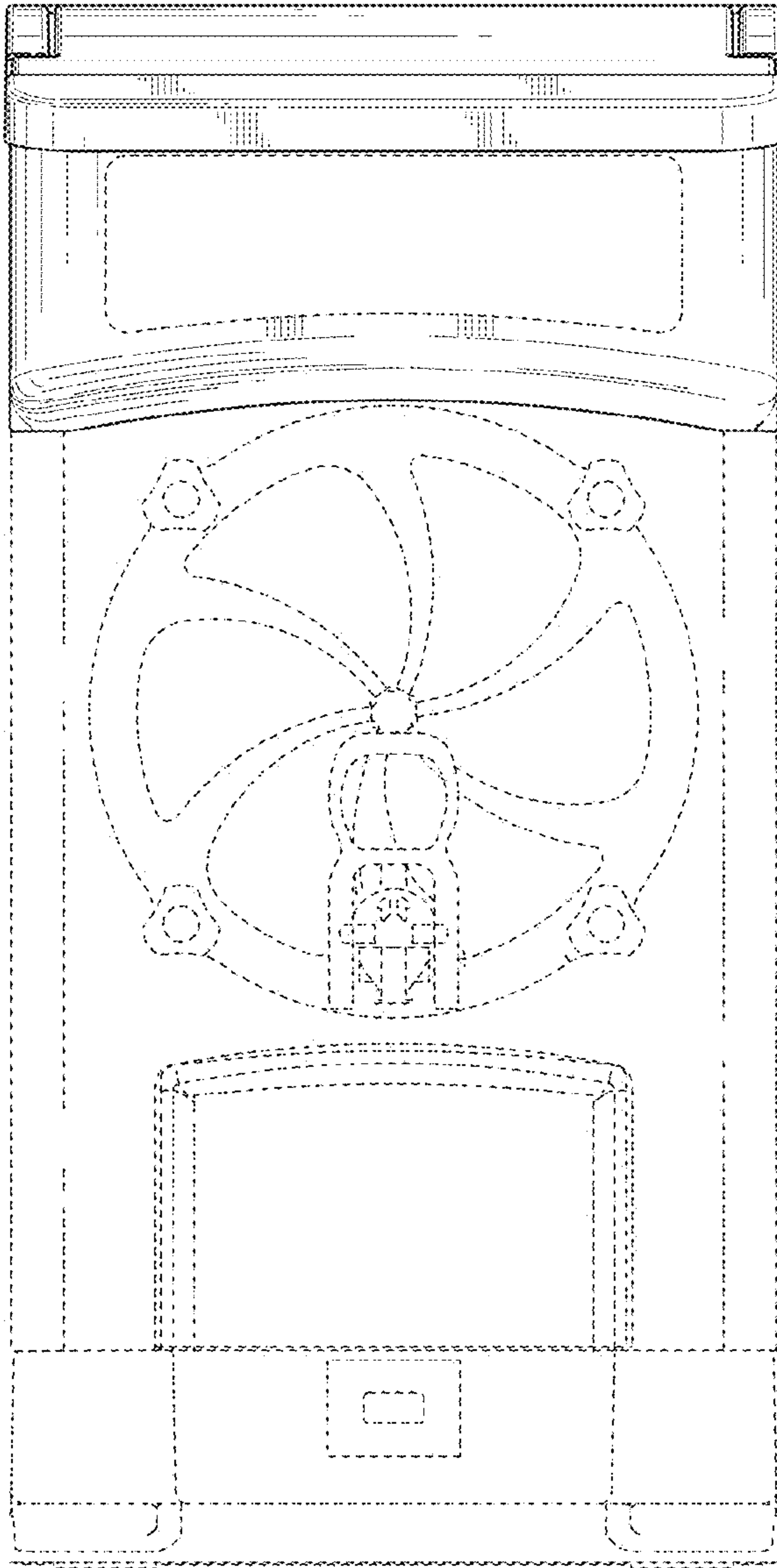


FIG. 2

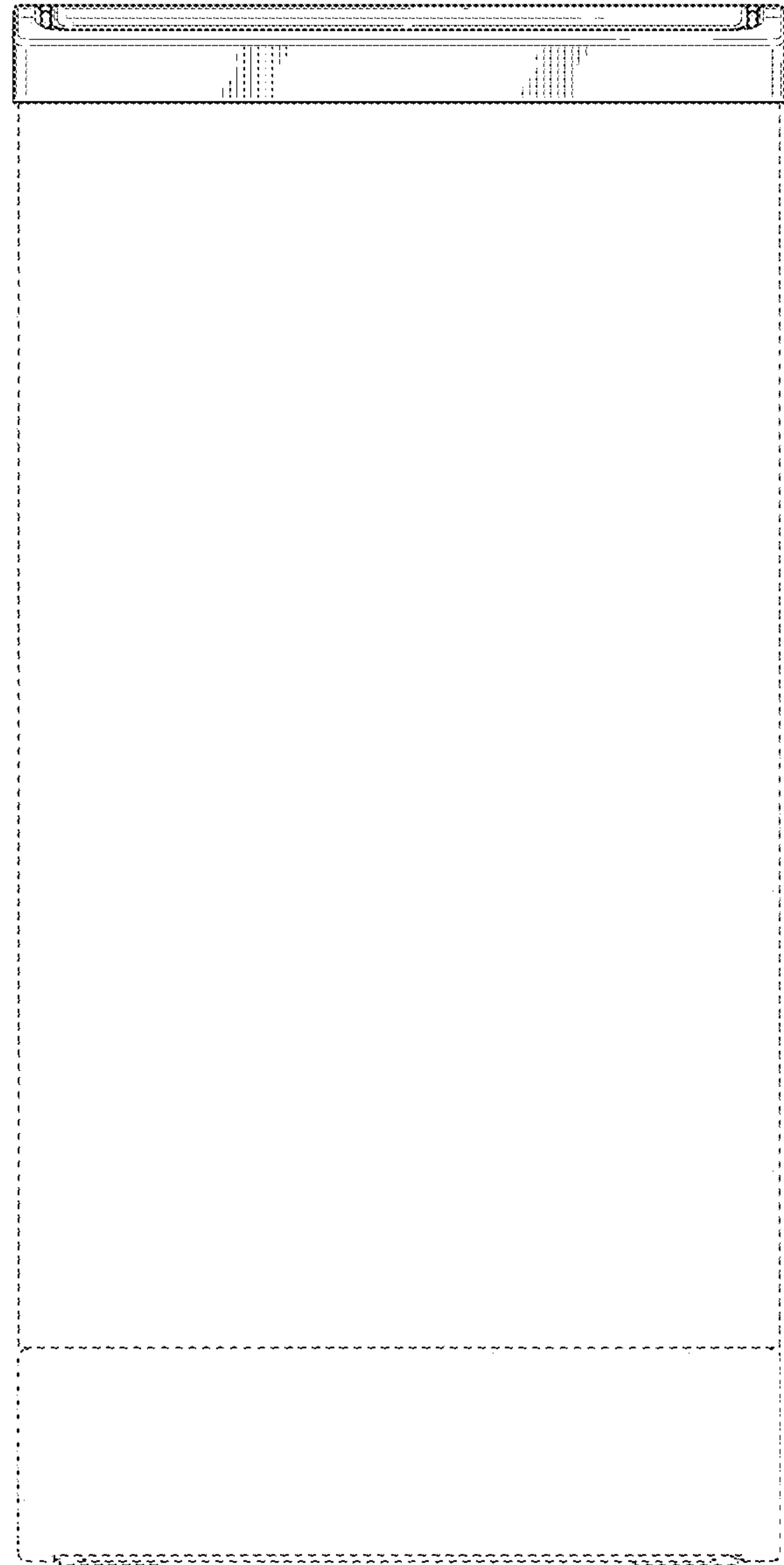


FIG. 3

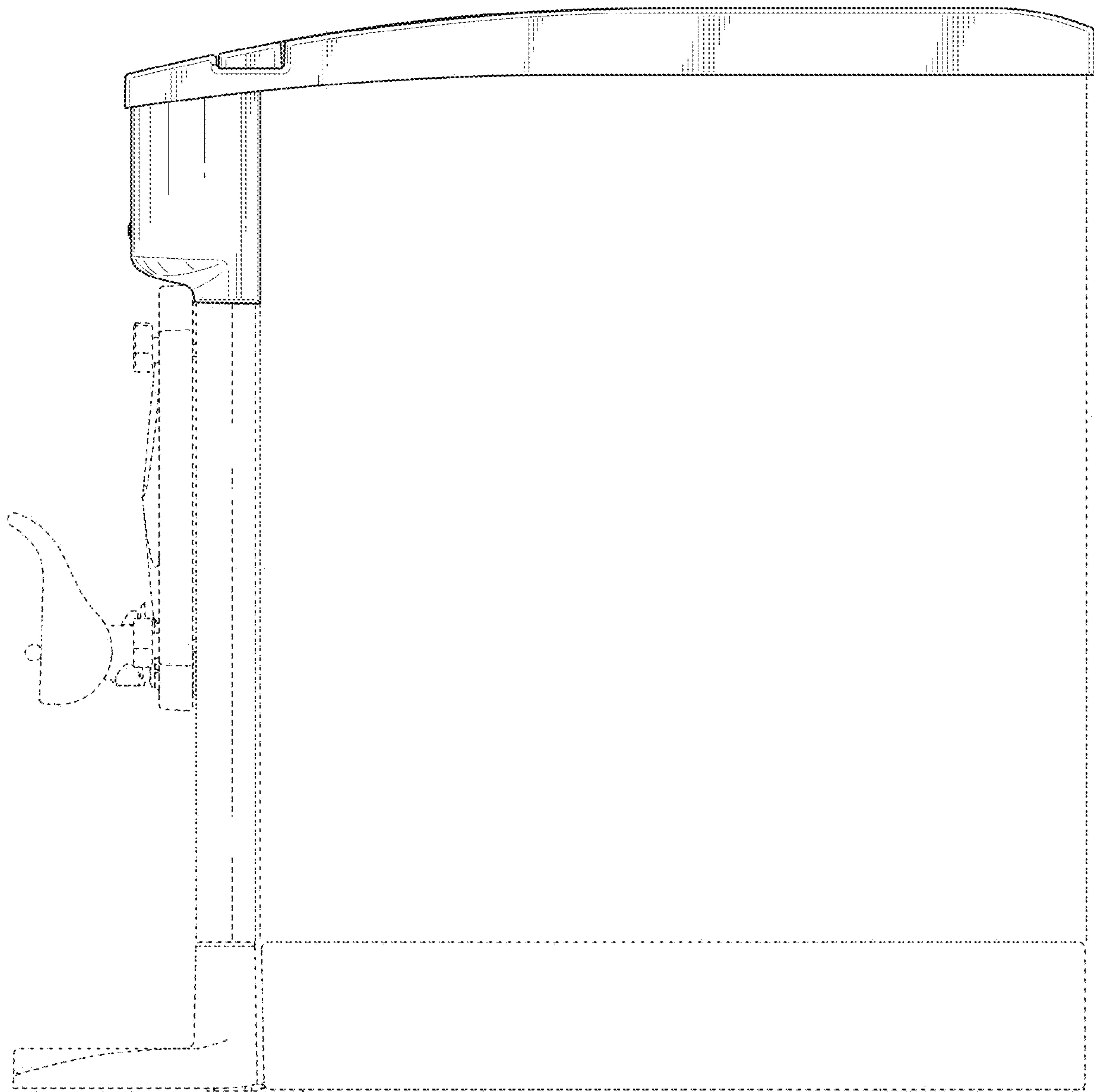


FIG. 4

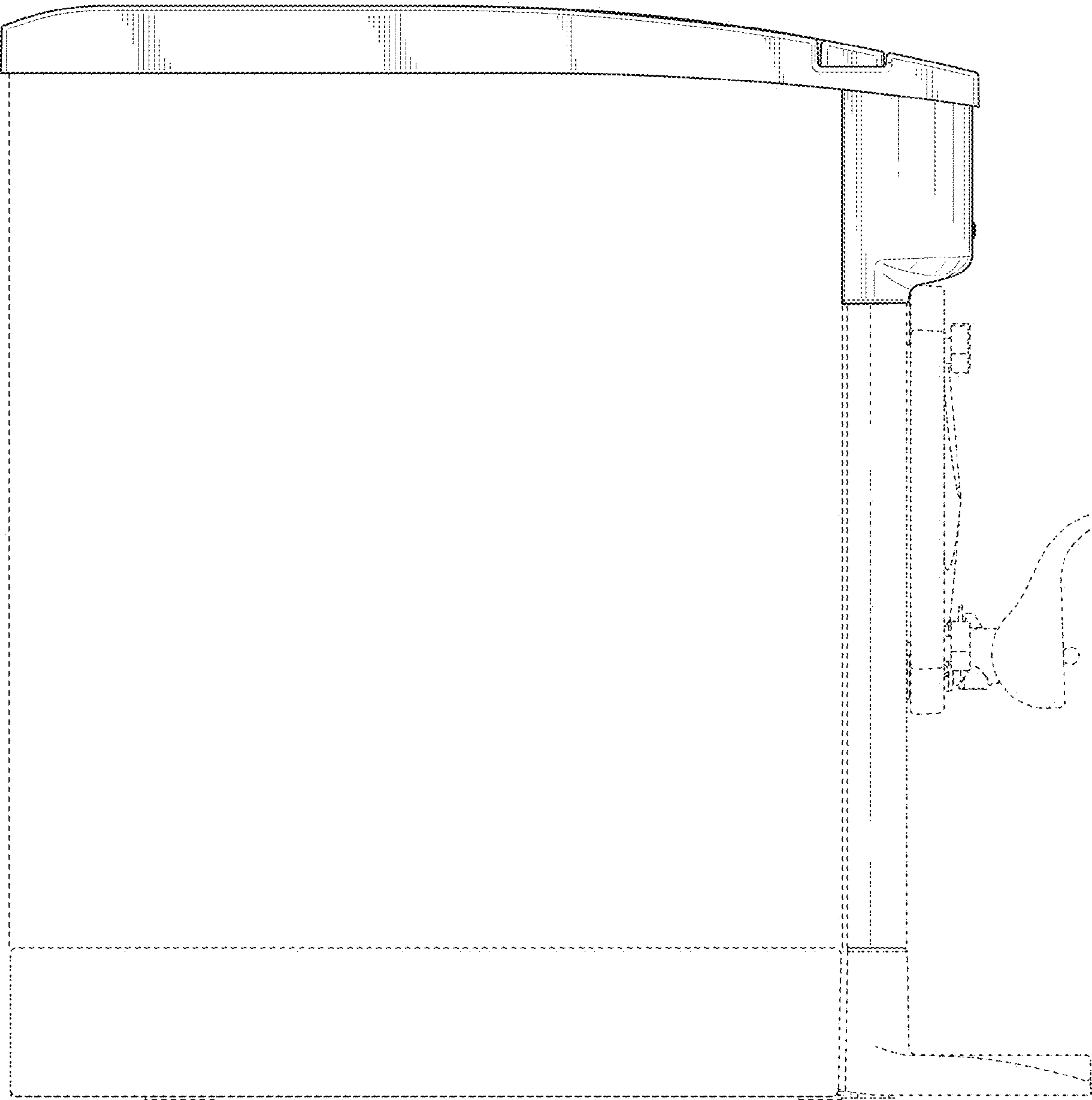


FIG. 5

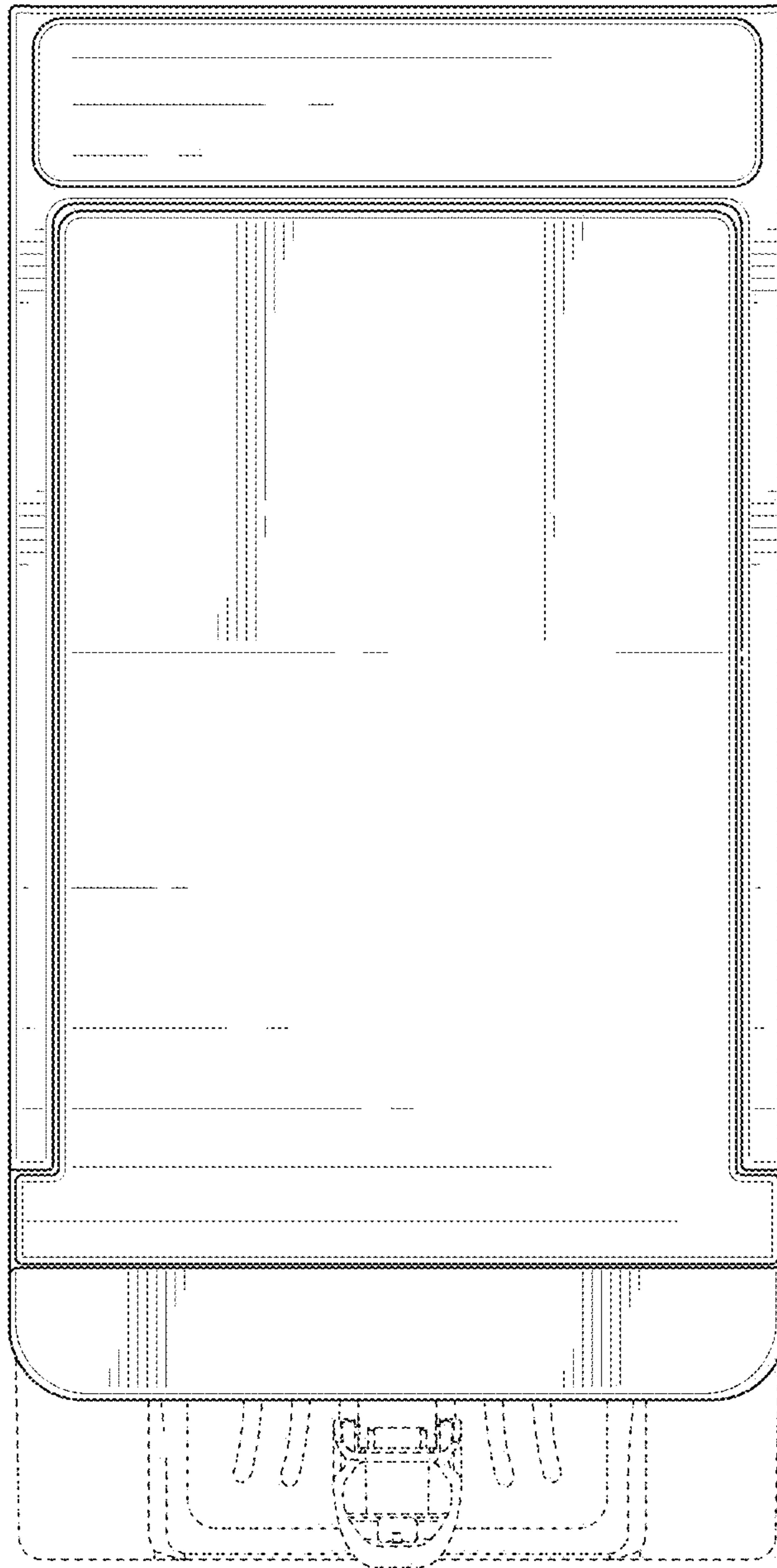


FIG. 6