



US00D893943S

(12) **United States Design Patent** (10) **Patent No.:** **US D893,943 S**  
**Engler et al.** (45) **Date of Patent:** **\*\* Aug. 25, 2020**

(54) **CUP**

(71) Applicant: **P&P IMPORTS LLC**, Santa Ana, CA (US)

(72) Inventors: **Peter H. Engler**, Newport Beach, CA (US); **Peter L. Tanoury**, Newport Beach, CA (US)

(73) Assignee: **P&P Imports LLC**, Irvine, CA (US)

(\*\*) Term: **15 Years**

(21) Appl. No.: **29/689,618**

(22) Filed: **Apr. 30, 2019**

(51) **LOC (12) Cl.** ..... **07-01**

(52) **U.S. Cl.**

USPC ..... **D7/396.4**; D7/531; D7/396.2

(58) **Field of Classification Search**

USPC ..... D7/524, 525, 526, 527, 528, 510, 511, D7/392.1, 396.2, 387, 393, 396.6, 213, D7/523, 400, 388, 389, 410, 624.1, 396.4; D9/435, 436, 439, 447, 503, 504, 562; D27/102, 103, 118, 109, 138; D11/143, D11/144

CPC .... B65D 41/04; B65D 43/02; A47G 19/2288; A47G 19/2266

See application file for complete search history.

(56) **References Cited**

**U.S. PATENT DOCUMENTS**

1,471,039	A *	10/1923	Lee	.....	A47J 37/067 99/445
1,517,161	A *	11/1924	Kershaw	.....	A47J 37/067 99/445
D128,150	S *	7/1941	Swofford	.....	D7/624.1
D257,419	S *	10/1980	Russell	.....	D7/624.1
D554,945	S *	11/2007	Chung	.....	D7/409
D694,061	S *	11/2013	Lee	.....	D7/388
D715,097	S *	10/2014	Thonis	.....	D7/388
D801,749	S *	11/2017	Wang	.....	D7/409
D809,340	S *	2/2018	Poon	.....	D7/409

**OTHER PUBLICATIONS**

[https://www.amazon.com/Silicone-Coasters-Made-Classic-Black/dp/B079QYH4KV/ref=sr\\_1\\_6?dchild=1&keywords=set+of+4+silicone+coasters&qid=1594329030&sr=8-6](https://www.amazon.com/Silicone-Coasters-Made-Classic-Black/dp/B079QYH4KV/ref=sr_1_6?dchild=1&keywords=set+of+4+silicone+coasters&qid=1594329030&sr=8-6) (Year: 2017).\*

[https://www.amazon.com/Lifver-Absorbent-Coaster-Coasters-Grey-Lines/dp/B07DGM1KT8?ref=ast\\_sto\\_dp](https://www.amazon.com/Lifver-Absorbent-Coaster-Coasters-Grey-Lines/dp/B07DGM1KT8?ref=ast_sto_dp) (Year: 2018).\*

Rally and Roar+Jumbo Beer Pong Set for Outdoors—Fun Drinking Games for Adults, College Kids—Jumbo Cup and Pong Throwing Game for Yard, Party, Bar, Lawn, Backyard, Tailgating—Fun Outside Games, <https://www.amazon.com/Jumbo-Beer-Pong-Set-Outdoors/dp/B07G3L6KJG>, Published at least as early as Apr. 29, 2019.

Get Pong—Red Reload Beer Pong Set (20 Cups & 2 Balls ), [https://www.amazon.com/Reload-Beer-Pong-Cups-Balls/dp/B01ITUBCEU/ref=sr\\_1\\_fkmr0\\_1?keywords=RED+RELOAD+BEER+PONG%2C+36+OUUNCES&qid=1556558252&s=sporting-goods&sr=1-1-fkmr0](https://www.amazon.com/Reload-Beer-Pong-Cups-Balls/dp/B01ITUBCEU/ref=sr_1_fkmr0_1?keywords=RED+RELOAD+BEER+PONG%2C+36+OUUNCES&qid=1556558252&s=sporting-goods&sr=1-1-fkmr0), Published at least as early as Apr. 29, 2019.

Ropoda—Yard Pong—Giant Pong Game Set Outdoor for The Beach, Camping, Tailgating, Lawn and Backyard, [https://www.amazon.com/ROPODA-Yard-Pong-Tailgating-Backyard/dp/B07FMYQ7DR/ref=sr\\_1\\_fkmmull\\_2\\_sspa?keywords=ropoda+beer+pong&qid=1556558442&s=sporting-goods&sr=1-2-fkmmull-spons&psc=1](https://www.amazon.com/ROPODA-Yard-Pong-Tailgating-Backyard/dp/B07FMYQ7DR/ref=sr_1_fkmmull_2_sspa?keywords=ropoda+beer+pong&qid=1556558442&s=sporting-goods&sr=1-2-fkmmull-spons&psc=1), Published at least as early as Apr. 29, 2019.

\* cited by examiner

*Primary Examiner* — Jae Liang

(74) *Attorney, Agent, or Firm* — Casey Kempner

(57) **CLAIM**

The ornamental design for a cup, as shown and described.

**DESCRIPTION**

FIG. 1 is a perspective view of a cup showing the claimed design;

FIG. 2 is a front view of the cup as shown in FIG. 1;

FIG. 3 is a back view of the cup as shown in FIG. 1;

FIG. 4 is a left-side view of the cup as shown in FIG. 1;

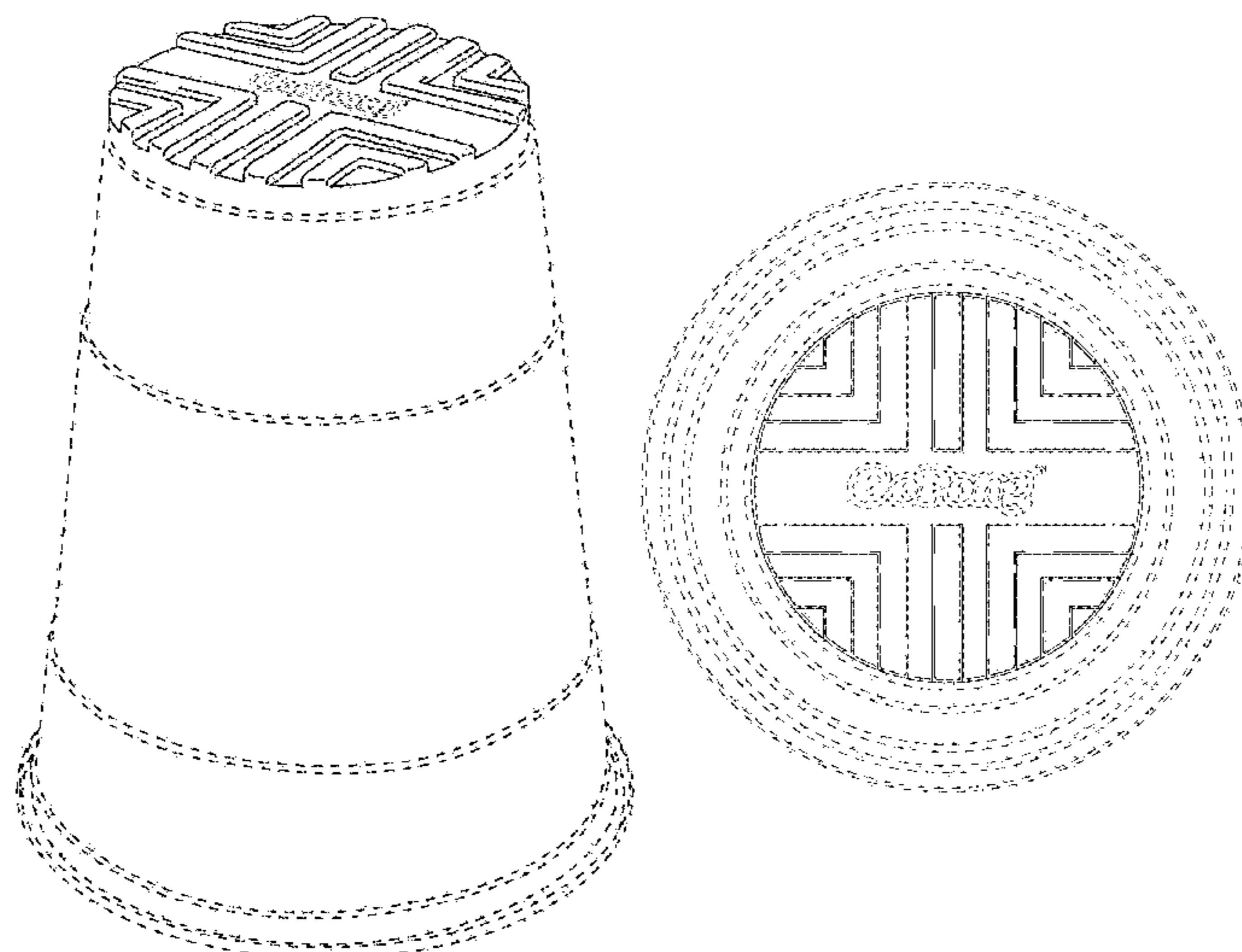
FIG. 5 is a right-side view of the cup as shown in FIG. 1;

FIG. 6 is a top view of the cup as shown in FIG. 1; and,

FIG. 7 is a bottom view of the cup as shown in FIG. 1.

The broken lines in the drawings depict portions of the cup that form no part of the claimed design.

**1 Claim, 7 Drawing Sheets**



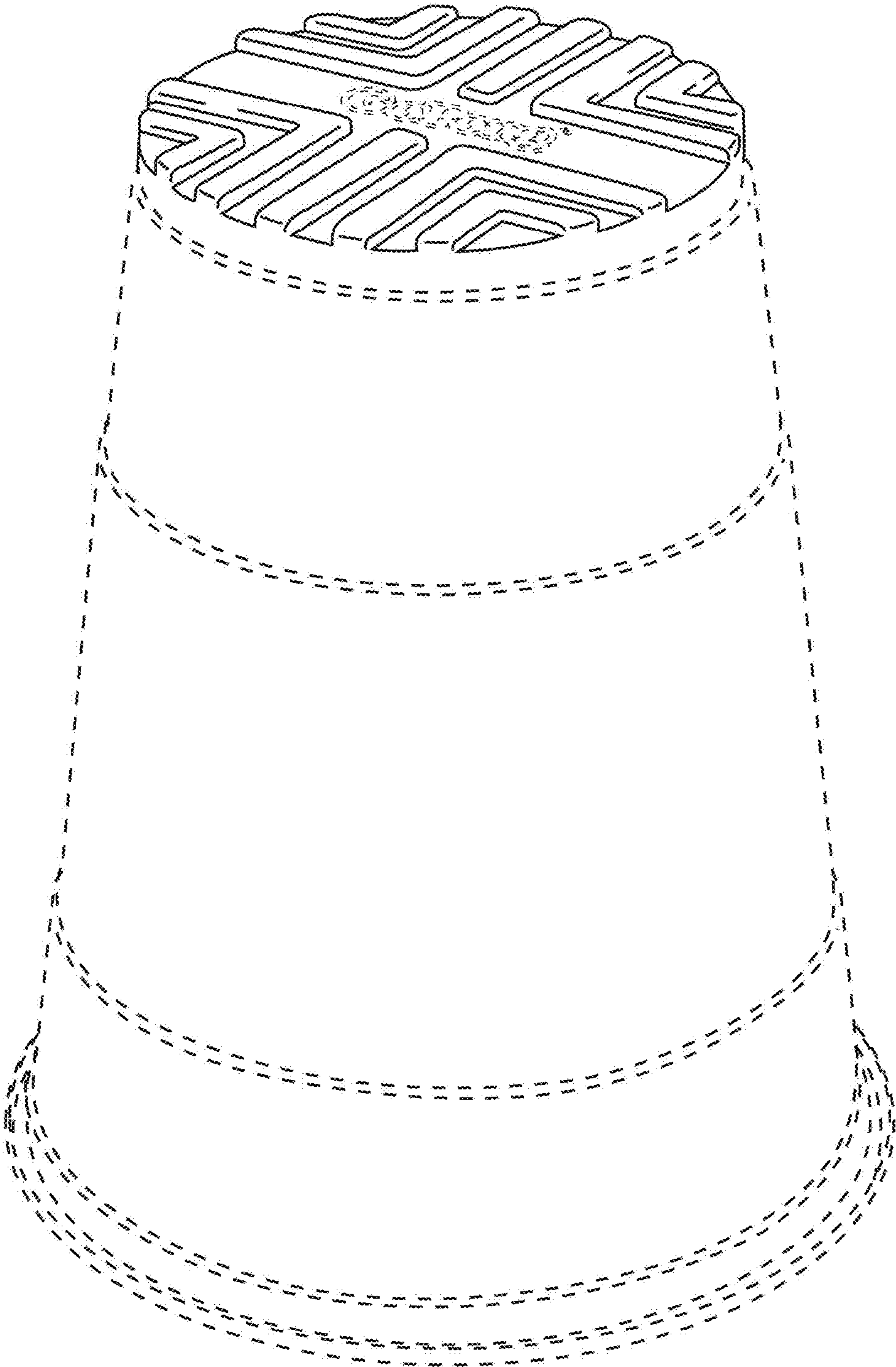


FIG. 1

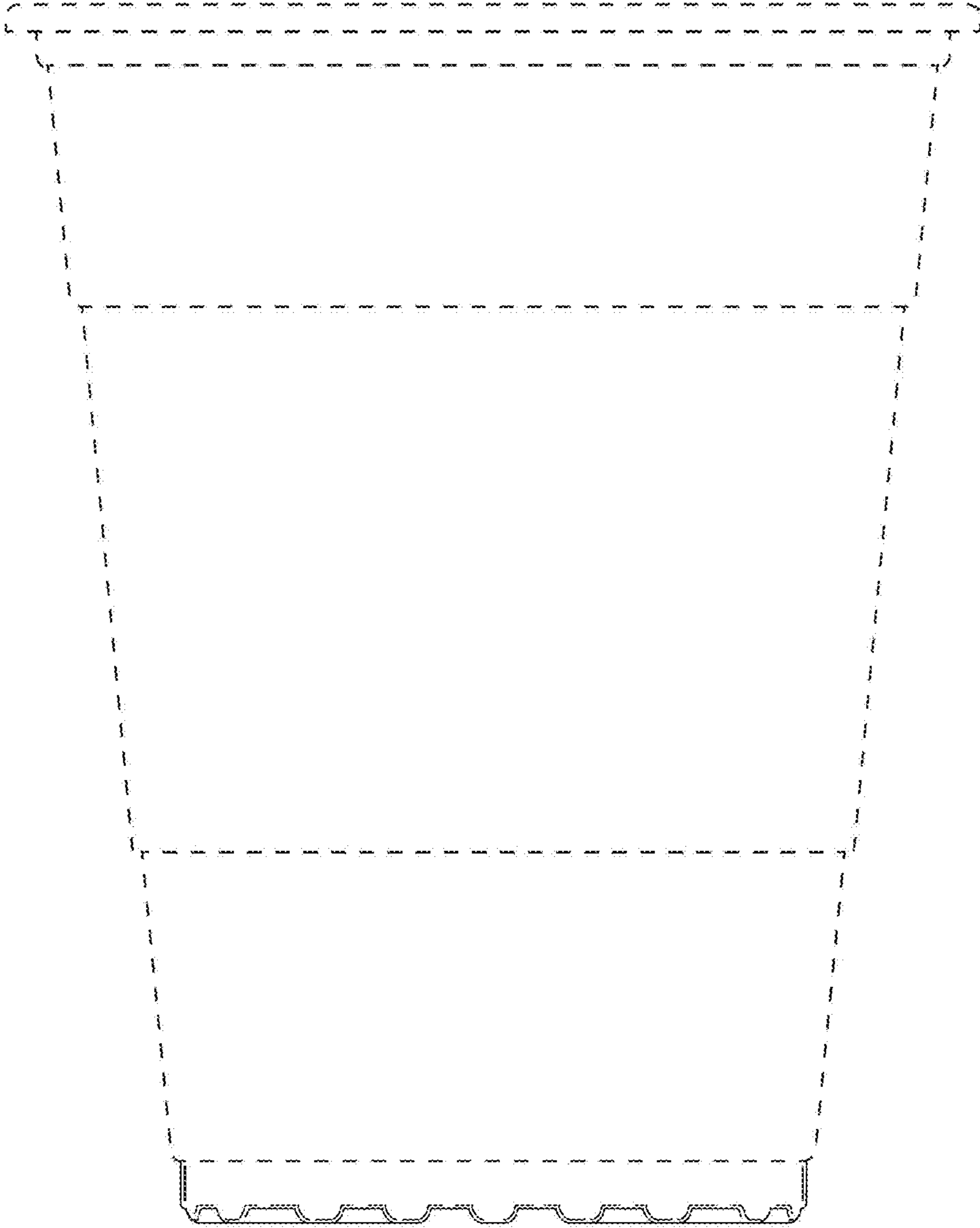


FIG. 2

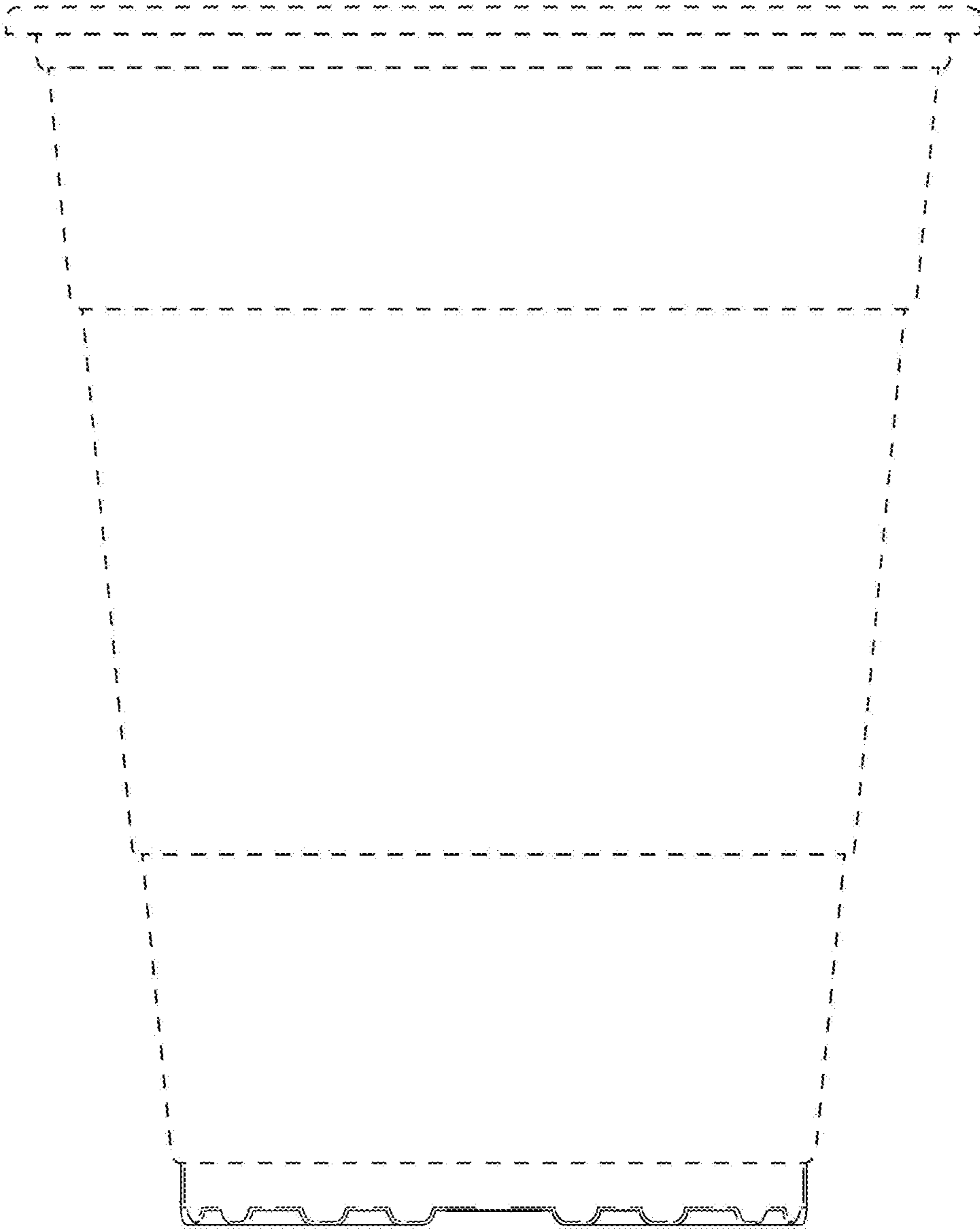


FIG. 3

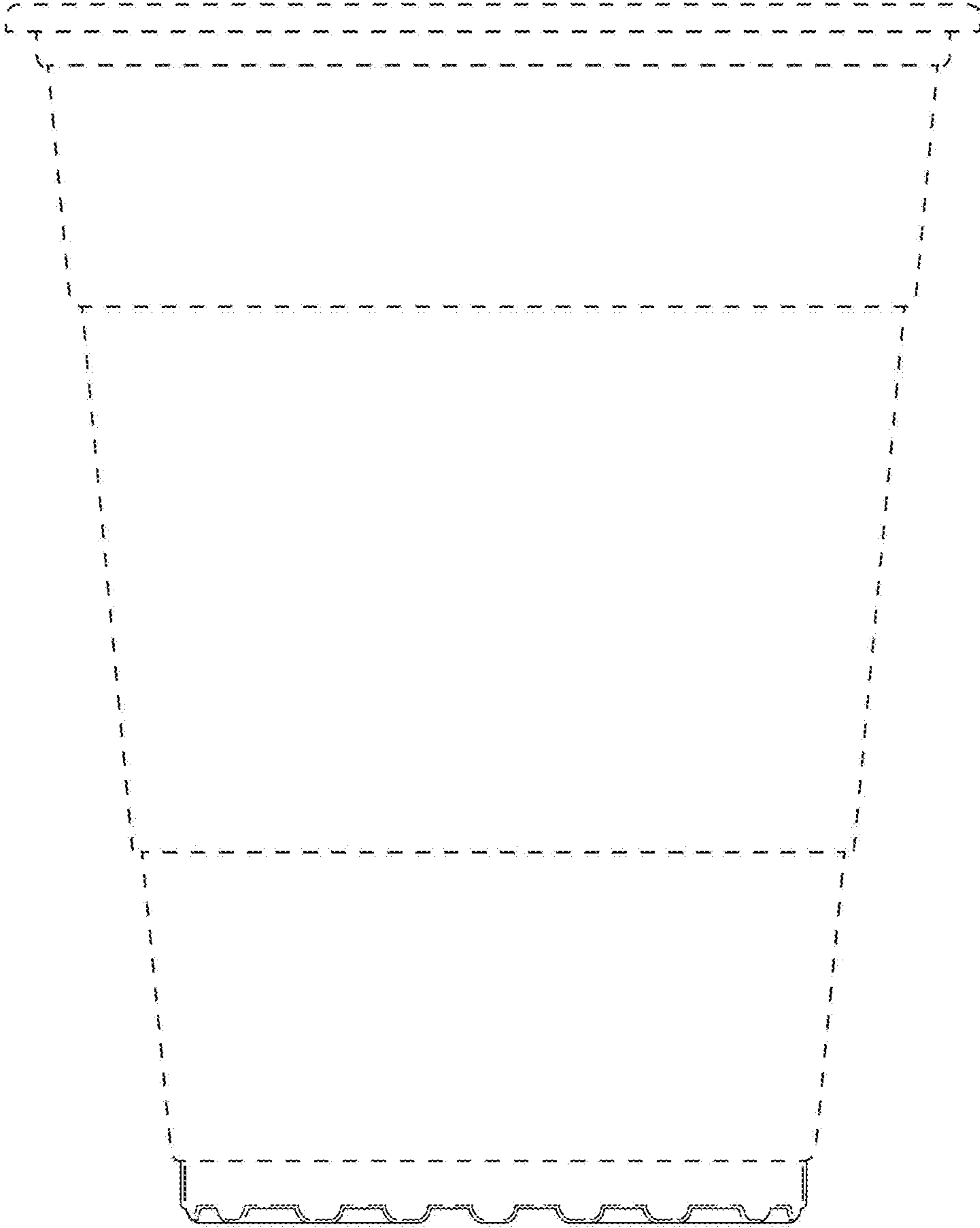


FIG. 4

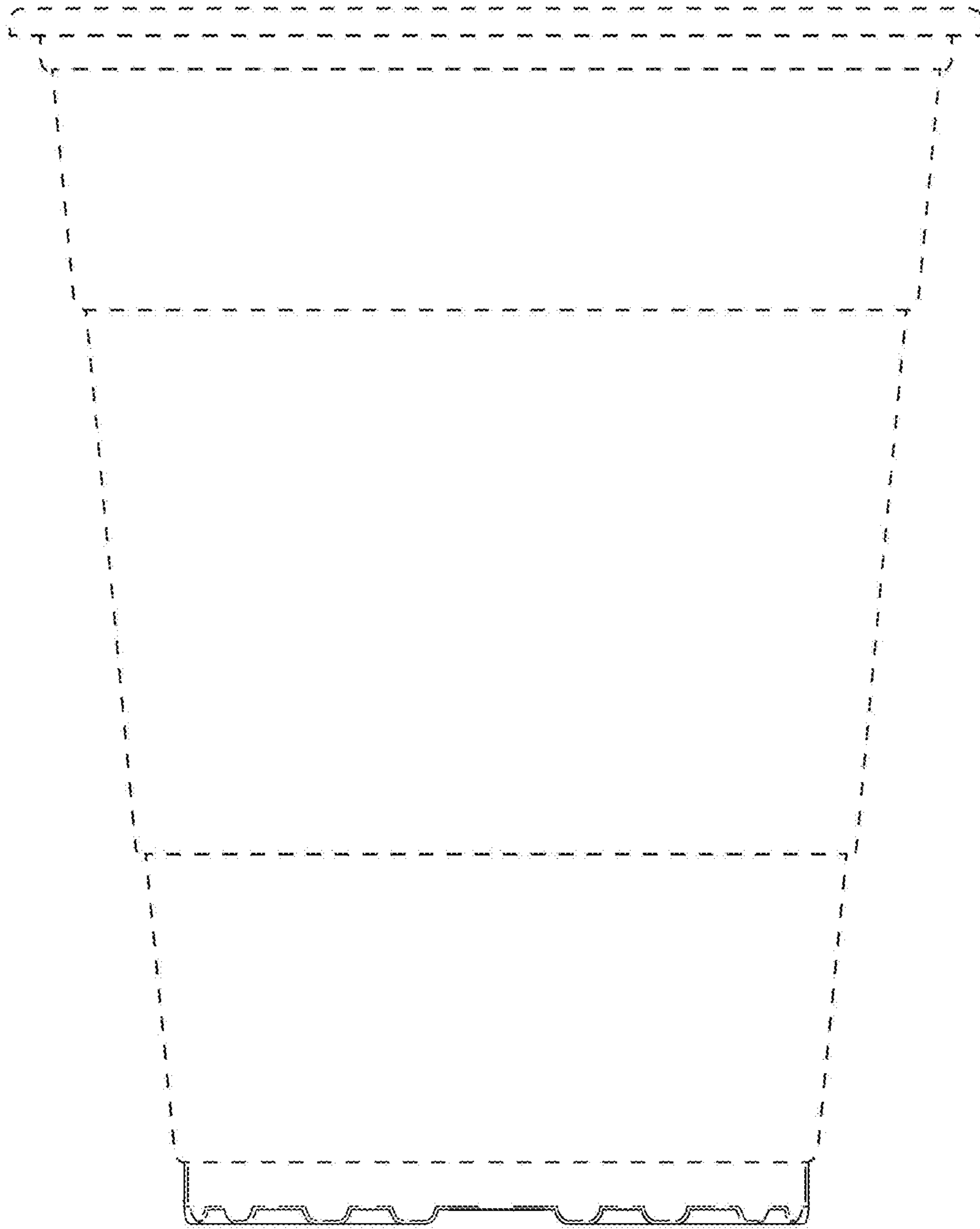


FIG. 5



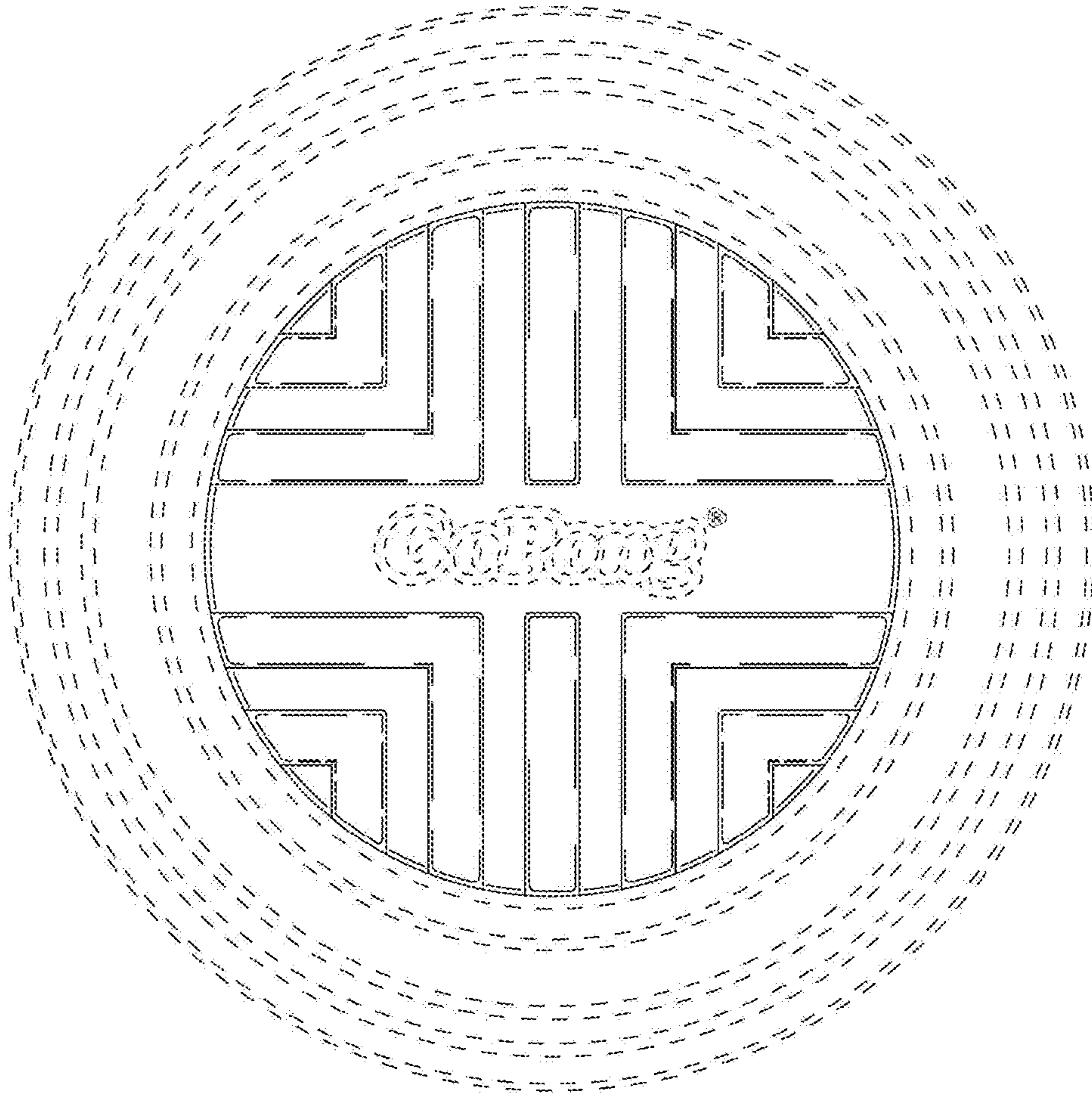


FIG. 6

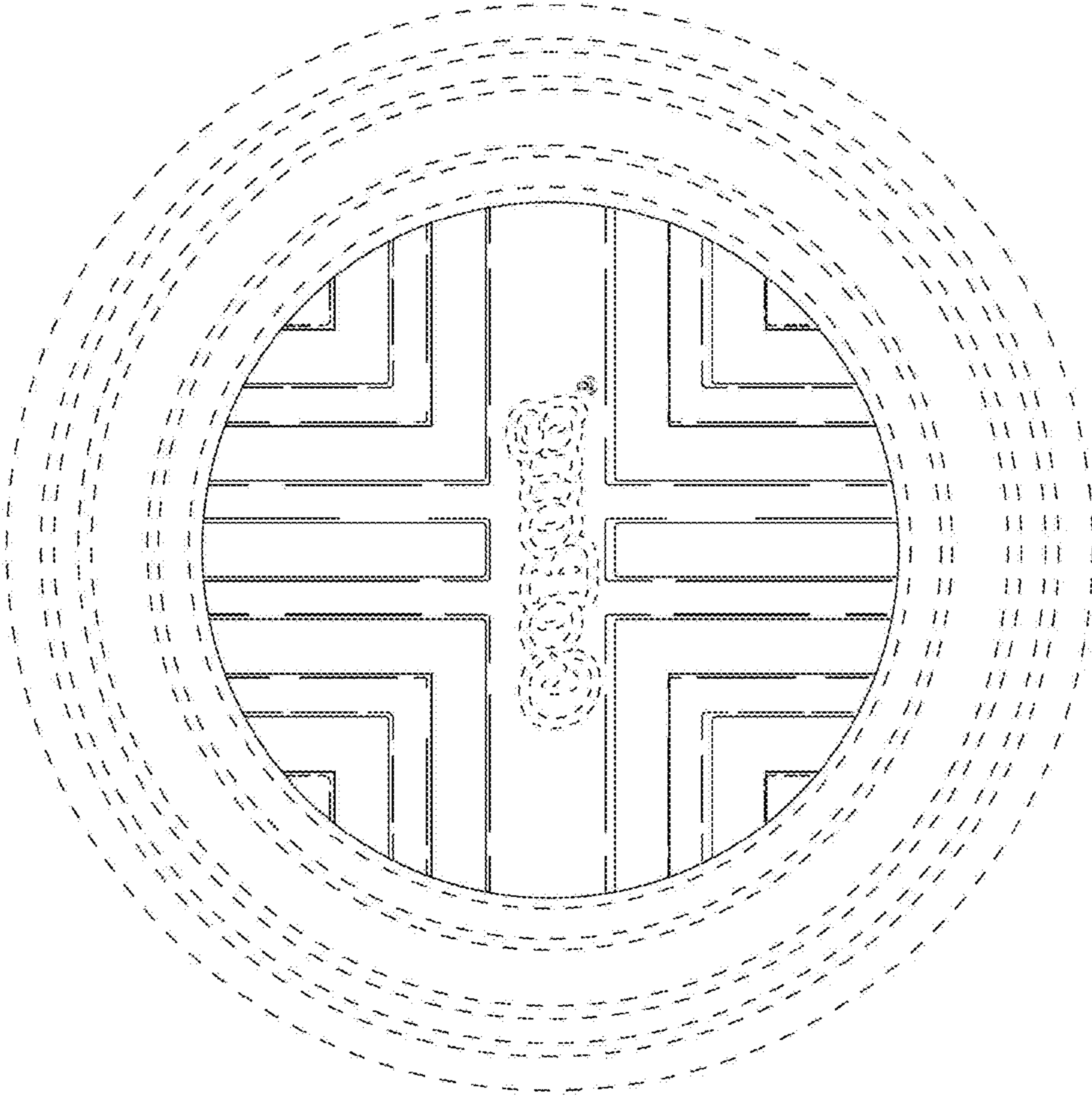


FIG. 7