



US00D893939S

(12) **United States Design Patent** (10) **Patent No.:** **US D893,939 S**  
**Breit et al.** (45) **Date of Patent:** **\*\* Aug. 25, 2020**

(54) **BOTTLE CAP**  
(71) Applicant: **O2COOL, LLC**, Chicago, IL (US)  
(72) Inventors: **Oliver Breit**, Discovery Bay (HK);  
**Lars Junker**, Kowloon (HK); **Michael Ksiazek**, Burr Ridge, IL (US); **Eric F. Junkel**, Mount Prospect, IL (US); **Tom Zeng**, Shenzhen (CN)

D586,183 S † 2/2009 Junkel ..... D7/511  
7,712,618 B2 † 5/2010 Barre ..... B65D 47/0871  
215/237  
D629,644 S † 12/2010 Zhuang ..... D7/392.1  
D655,581 S † 3/2012 Kotani ..... D7/608  
D675,060 S † 1/2013 Lane ..... D7/392.1

(Continued)

FOREIGN PATENT DOCUMENTS

EM 004539518-0002 † 12/2017

OTHER PUBLICATIONS

Amzon website, O2COOL ArcticSqueeze Insulated Mist 'N Sip, Earliest comment date Aug. 28, 2018, [site visited Jan. 9, 2020], Available on the Internet URL <https://www.amazon.com/O2COOL-ArcticSqueeze-Insulated-Squeeze-Bottle/dp/B00TY7OJWU/> (Year: 2018).\*

*Primary Examiner* — Karen S Acker  
*Assistant Examiner* — Steven B Reinholdt, Jr.  
(74) *Attorney, Agent, or Firm* — Thompson Coburn LLP

(73) Assignee: **O2COOL, LLC**, Chicago, IL (US)  
(\*\*) Term: **15 Years**

(21) Appl. No.: **29/696,594**  
(22) Filed: **Jun. 28, 2019**

**Related U.S. Application Data**

(63) Continuation of application No. 29/606,833, filed on Jun. 8, 2017, now Pat. No. Des. 856,065.  
(51) **LOC (12) Cl.** ..... **07-99**  
(52) **U.S. Cl.**  
USPC ..... **D7/392.1; D7/392**  
(58) **Field of Classification Search**  
USPC ..... D9/452, 453, 454, 435, 447, 449;  
D7/391, 392, 392.1, 510, 511, 538, 540,  
D7/542, 543, 544, 545, 629  
CPC ... A47G 19/2205; A47G 19/2222; A45F 3/16;  
A45F 3/20; B67D 7/06; B67D 7/0004;  
B65D 25/14; B65D 47/065; B65D  
47/066; B65D 2543/00101; B65D  
2543/00027  
See application file for complete search history.

(57) **CLAIM**

The ornamental design for a bottle cap, as shown and described.

**DESCRIPTION**

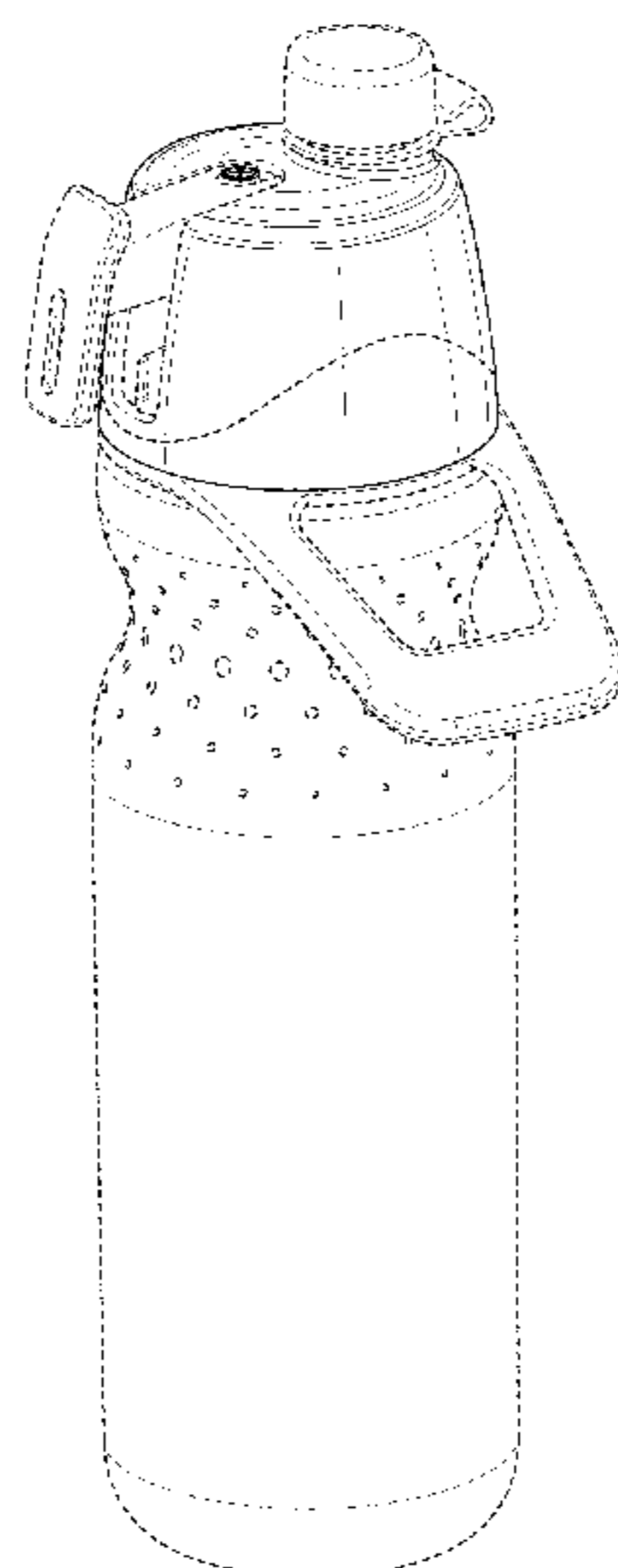
FIG. 1 is a perspective view of bottle cap showing our new design;  
FIG. 2 is a front view thereof;  
FIG. 3 is a rear view thereof;  
FIG. 4 is a left side view thereof;  
FIG. 5 is a right side view thereof;  
FIG. 6 is a top view thereof; and,  
FIG. 7 is a bottom view thereof.  
The broken lines depict portions of the bottle cap that form no part of the claimed design. The broken lines illustrating a bottle and handle depict environment that forms no part of the claimed design.

(56) **References Cited**

U.S. PATENT DOCUMENTS

4,095,725 A † 6/1978 Goncalves ..... B65D 83/205  
220/266  
D385,792 S † 11/1997 Sayers ..... D9/448  
D530,609 S † 10/2006 Beaver ..... D9/445  
D547,184 S † 7/2007 Kim ..... D9/447

**1 Claim, 7 Drawing Sheets**



(56)

**References Cited**

U.S. PATENT DOCUMENTS

D700,515 S ‡ 3/2014 Herbst ..... D9/448  
D718,626 S ‡ 12/2014 Lane ..... B65D 41/62  
D9/449  
D744,290 S ‡ 12/2015 Endo ..... D7/608  
D747,918 S ‡ 1/2016 Herbst ..... D7/392.1  
D828,718 S ‡ 9/2018 Ksiazek ..... D7/392.1  
D829,054 S ‡ 9/2018 Breit ..... D7/510  
D830,118 S ‡ 10/2018 Ksiazek ..... D7/392.1  
D867,811 S \* 11/2019 Lane ..... D7/392  
10,479,585 B2 \* 11/2019 Seiders ..... B65D 55/16  
10,518,945 B2 \* 12/2019 Phillips ..... B65D 55/024  
2011/0284541 A1 ‡ 11/2011 Webster ..... B65D 23/10  
220/288  
2016/0355305 A1 ‡ 12/2016 Hoskins ..... B65D 47/006  
2018/0290164 A1 ‡ 10/2018 Ksiazek ..... B05B 11/3059  
2019/0062006 A1 \* 2/2019 Breit ..... B65D 25/32

\* cited by examiner

‡ imported from a related application

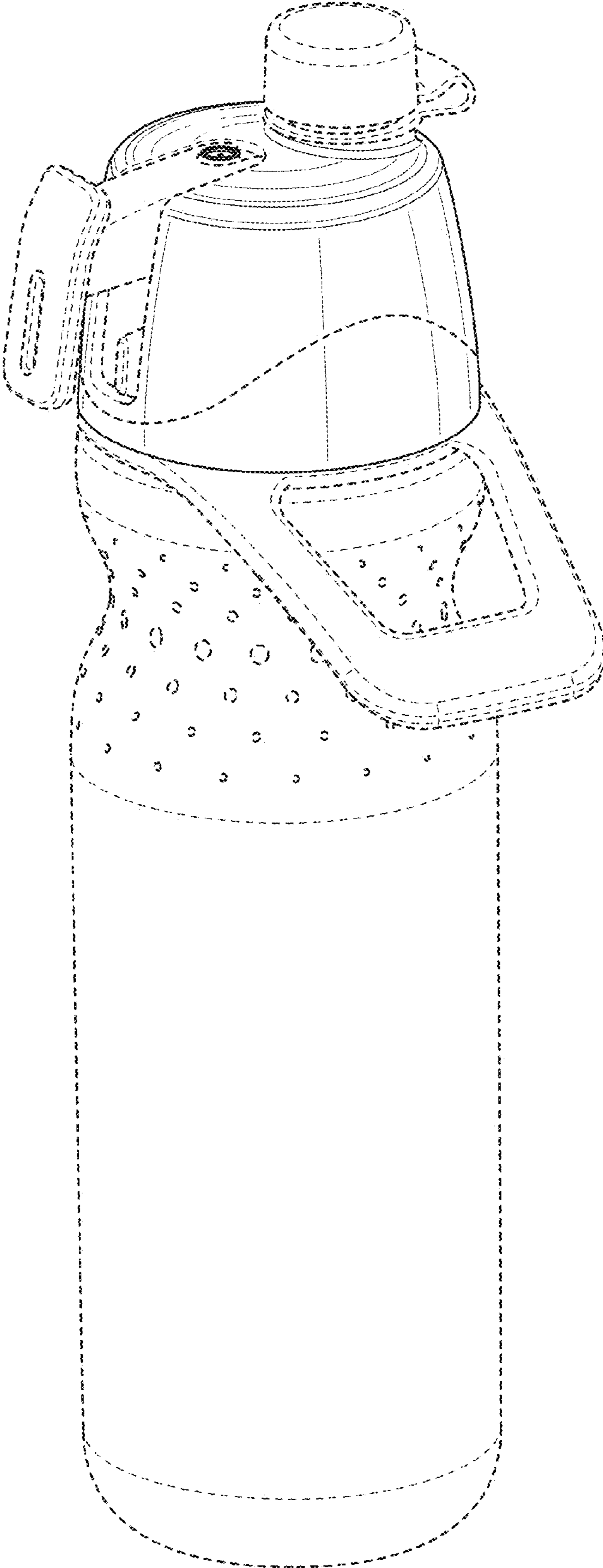


FIG. 1

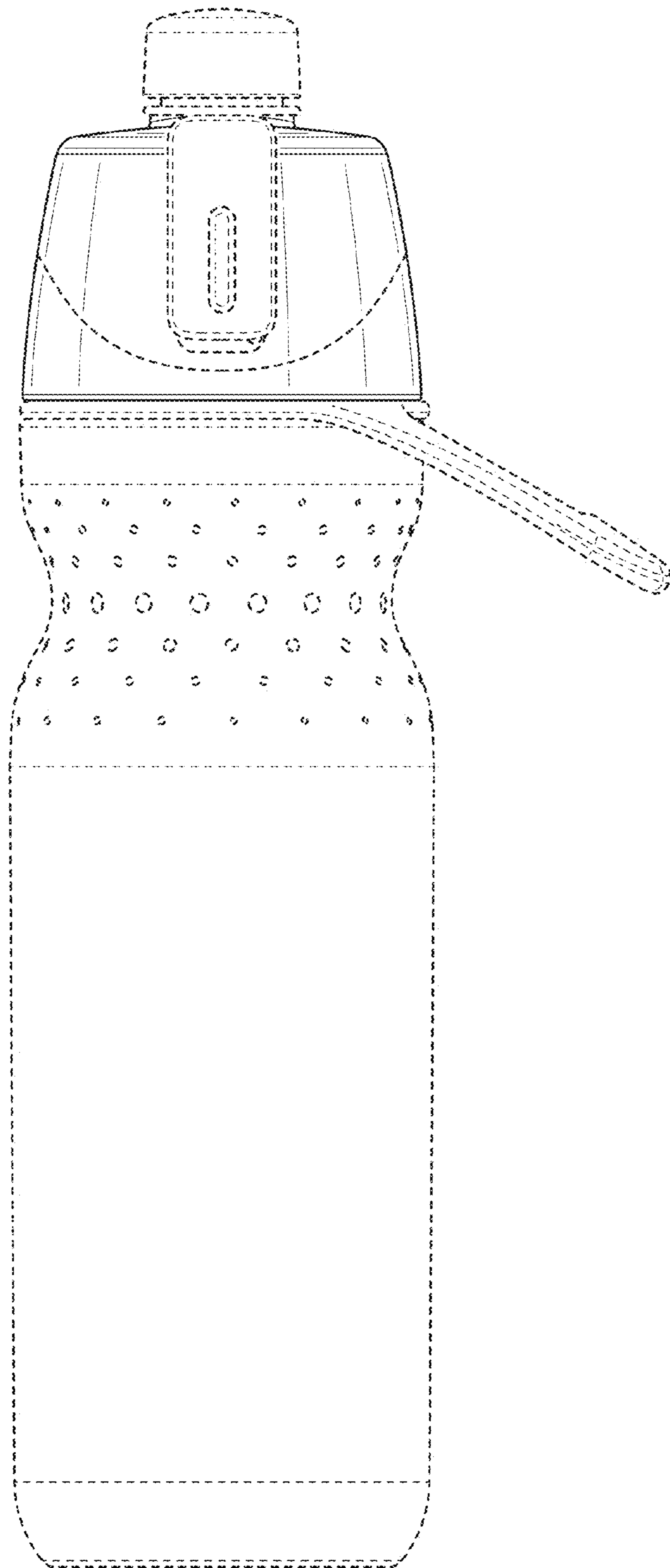


FIG. 2

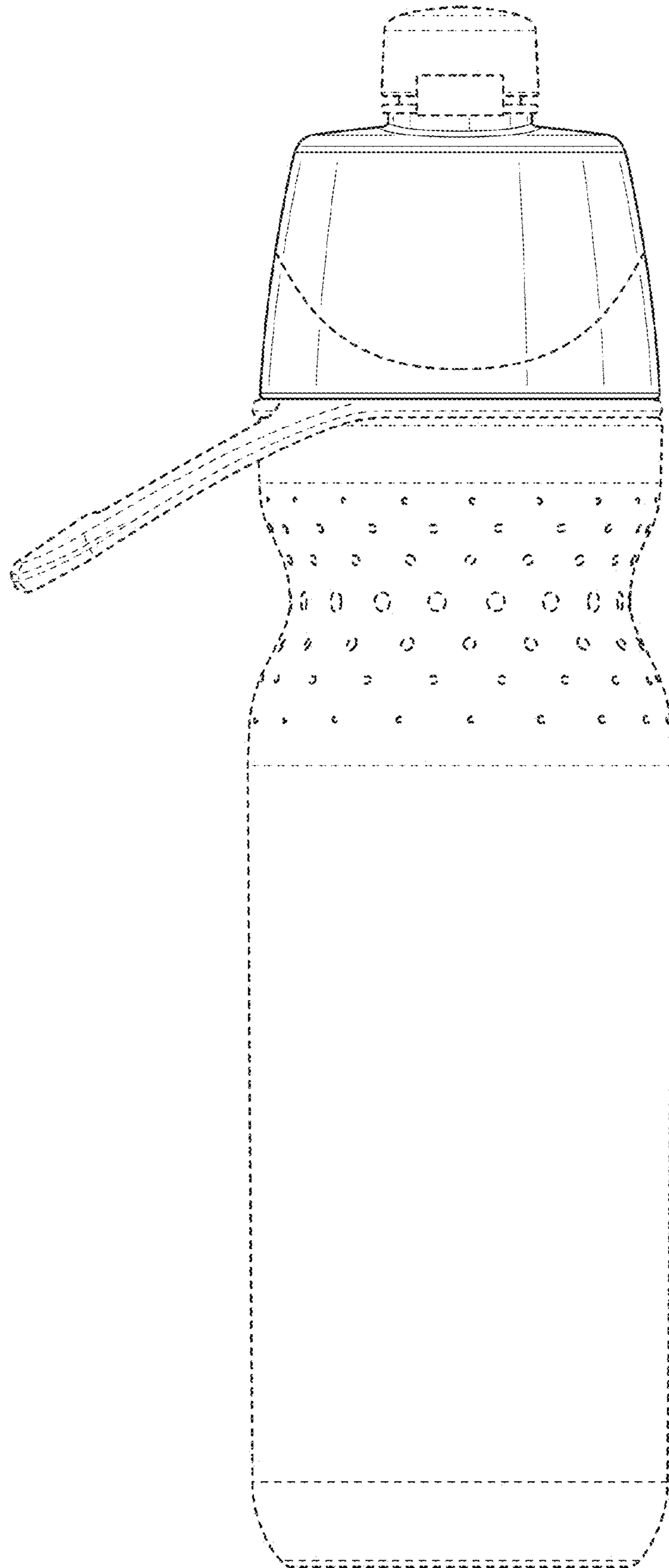


FIG. 3

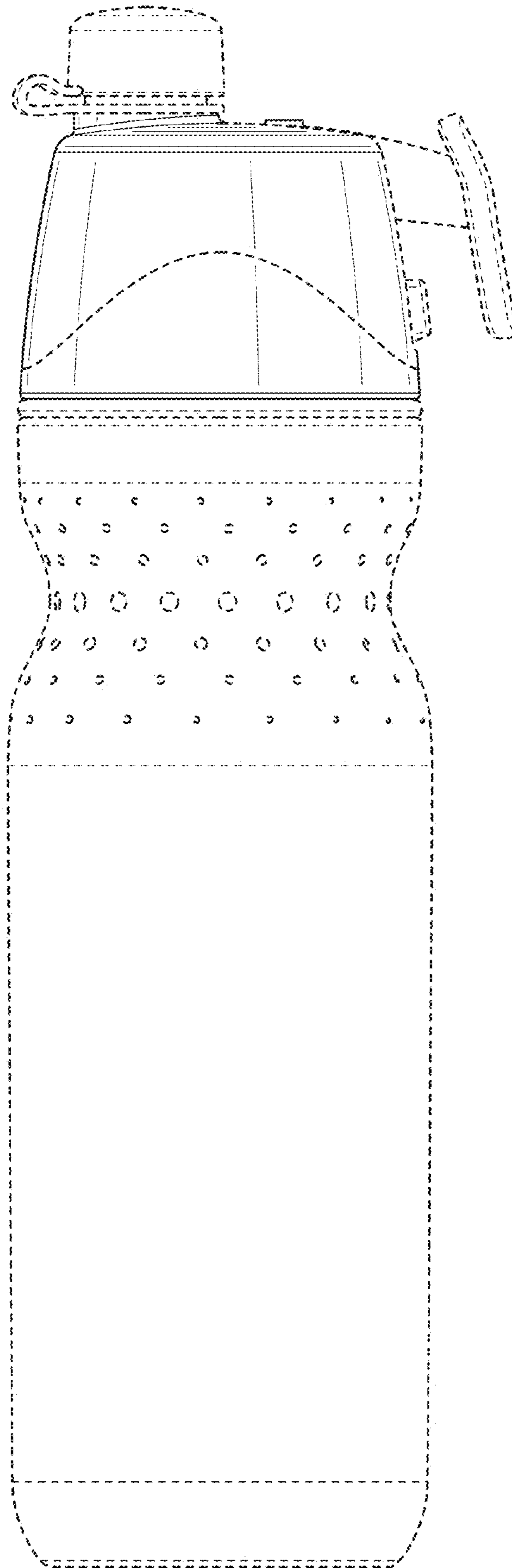


FIG. 4



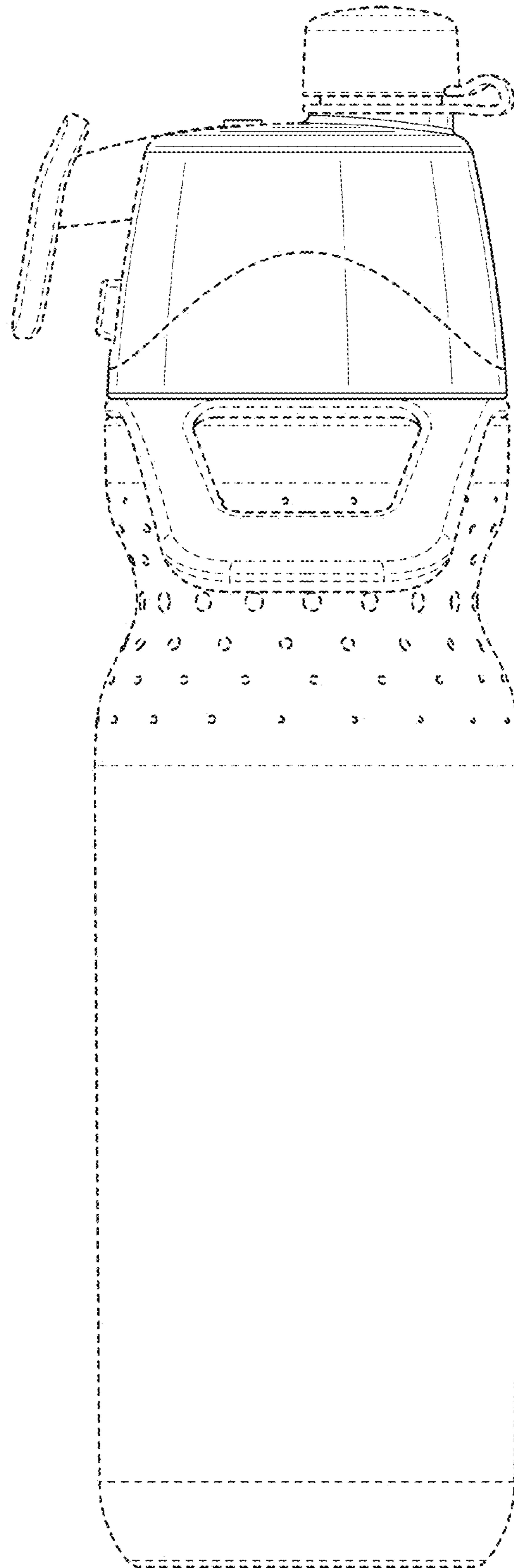


FIG. 5

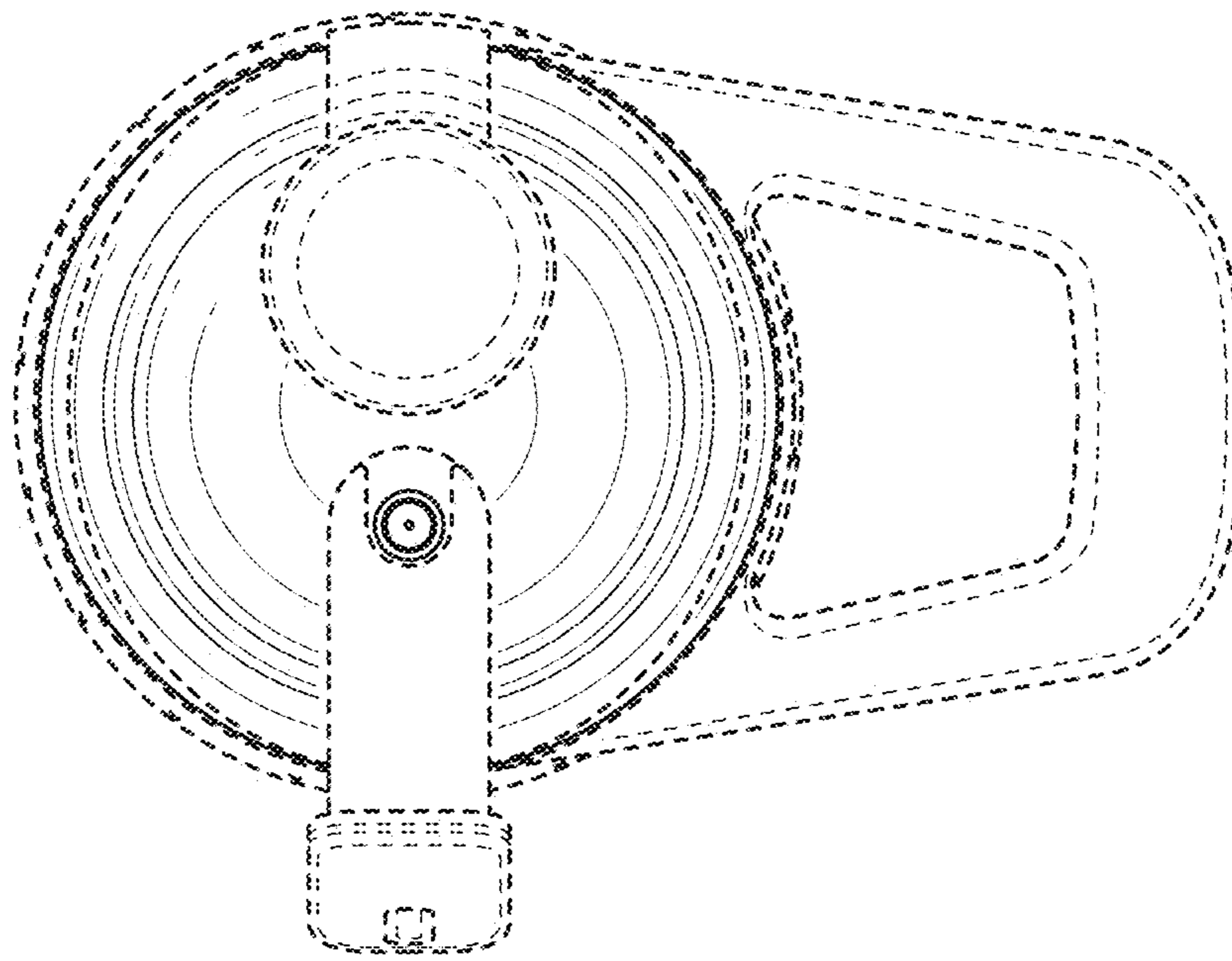


FIG. 6



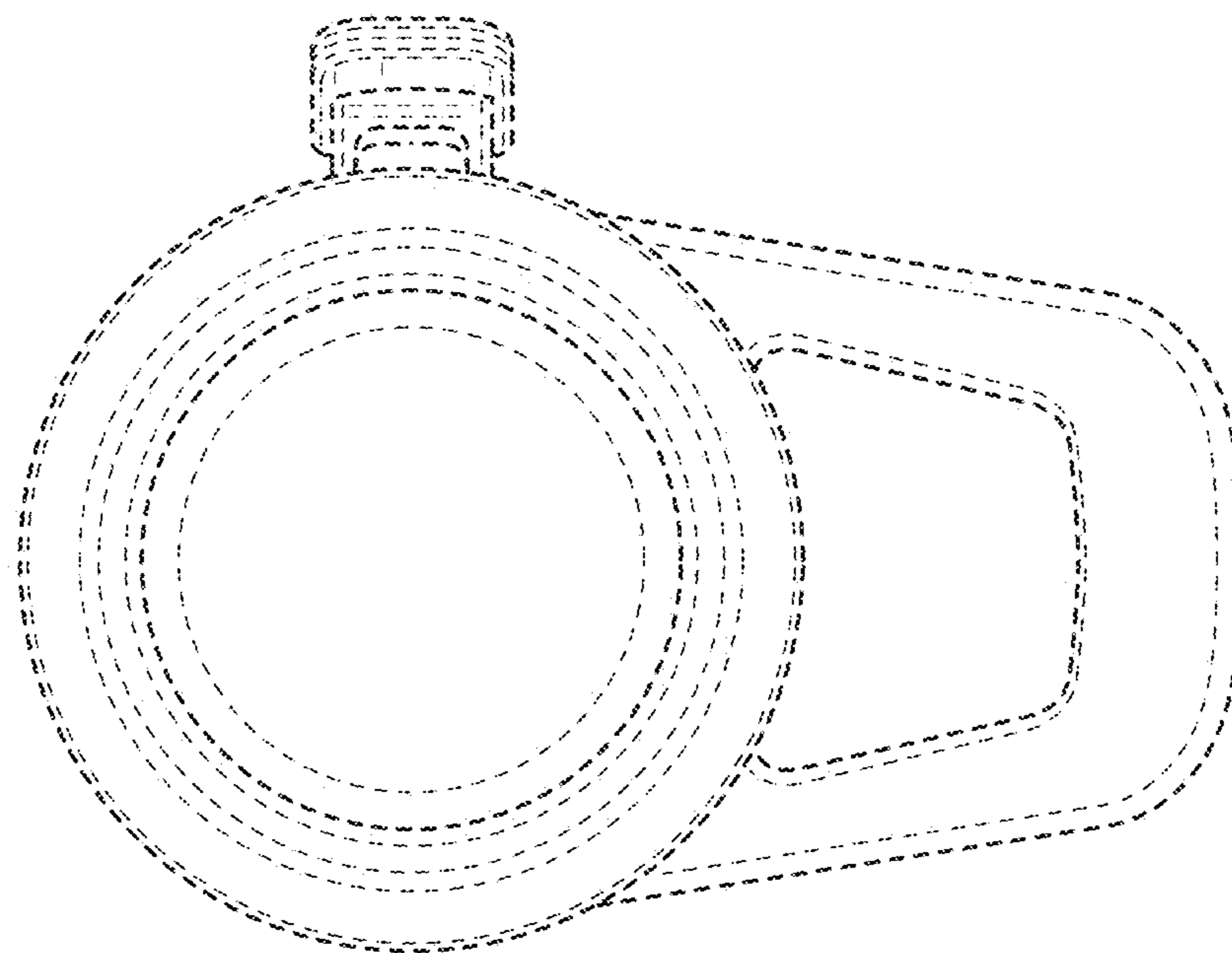


FIG. 7