



US00D893938S

(12) **United States Design Patent**  
**Kander**

(10) **Patent No.:** **US D893,938 S**

(45) **Date of Patent:** **\*\* Aug. 25, 2020**

(54) **LOOP CAP FOR A BEVERAGE CONTAINER**

19/226; A47G 19/2272; A47G 19/2294;  
A47G 19/2205; A47G 19/00

See application file for complete search history.

(71) Applicant: **Welly, LLC**, New York, NY (US)

(72) Inventor: **Benjamin Kander**, New York, NY  
(US)

(56) **References Cited**

U.S. PATENT DOCUMENTS

(73) Assignee: **WELLY, LLC**, New York, NY (US)

(\*\*) Term: **15 Years**

(21) Appl. No.: **29/687,859**

(22) Filed: **Apr. 16, 2019**

(51) **LOC (12) Cl.** ..... **07-99**

(52) **U.S. Cl.**  
USPC ..... **D7/392.1; D7/396.1**

(58) **Field of Classification Search**

USPC ..... D7/323, 354-363, 391-396.2, 402, 409,  
D7/587, 601, 602, 624.1, 624.2, 509, 523,  
D7/528, 529, 537, 553.6, 554.1, 566,  
D7/600.1, 619.1, 300, 300.1, 305, 392.1,  
D7/396.1, 397, 398, 387; D24/121, 127,  
D24/199, 281; D9/434, 435, 441, 442,  
D9/444, 445, 452, 453, 454, 455, 431,  
D9/447, 651; D28/79, 81, 85, 87  
CPC ..... B65D 2543/00046; B65D 2543/00092;  
B65D 2543/00555; B65D 47/08; B65D  
47/32; B65D 41/16; B65D 41/02; B65D  
41/18; B65D 43/0212; B65D 43/20;  
B65D 2251/009; B65D 2251/0028; B65D  
2251/0081; B65D 21/0223; B65D 21/02;  
B65D 21/265; B65D 2215/00; B65D  
2215/02; B65D 50/00; B65D 50/041;  
B65D 50/04; B65D 23/001; B65D  
47/122; B65D 47/305; B65D 1/00; B65D  
1/02; B65D 1/0223; A47J 36/10; A47J  
36/14; A47J 36/06; A47G 19/222; A47G

D235,303 S *	6/1975	Boucher	.....	D7/672
3,982,651 A	9/1976	Braun		
D246,029 S	10/1977	Lynn		
D278,121 S	3/1985	Sussman		
D286,604 S	11/1986	Bierlein		
5,186,350 A	2/1993	McBride		
D405,609 S	2/1999	Fu		
6,119,888 A	9/2000	Goto		
D466,814 S	12/2002	Hurlbut		
D488,357 S	4/2004	Cabey		
6,890,393 B2	5/2005	Buck		
6,899,773 B2	5/2005	Buck		

(Continued)

OTHER PUBLICATIONS

Welly Loop Cap: Announced Dec. 24, 2019 [online]. Site Visited  
[May 22, 2020]. available from Internet URL: [https://www.wellybottle.com/products/insulated-bpa-free-water-bottle-loop-cap.\\*](https://www.wellybottle.com/products/insulated-bpa-free-water-bottle-loop-cap.*)

*Primary Examiner* — Catherine S Posthauer  
(74) *Attorney, Agent, or Firm* — Cozen O'Connor

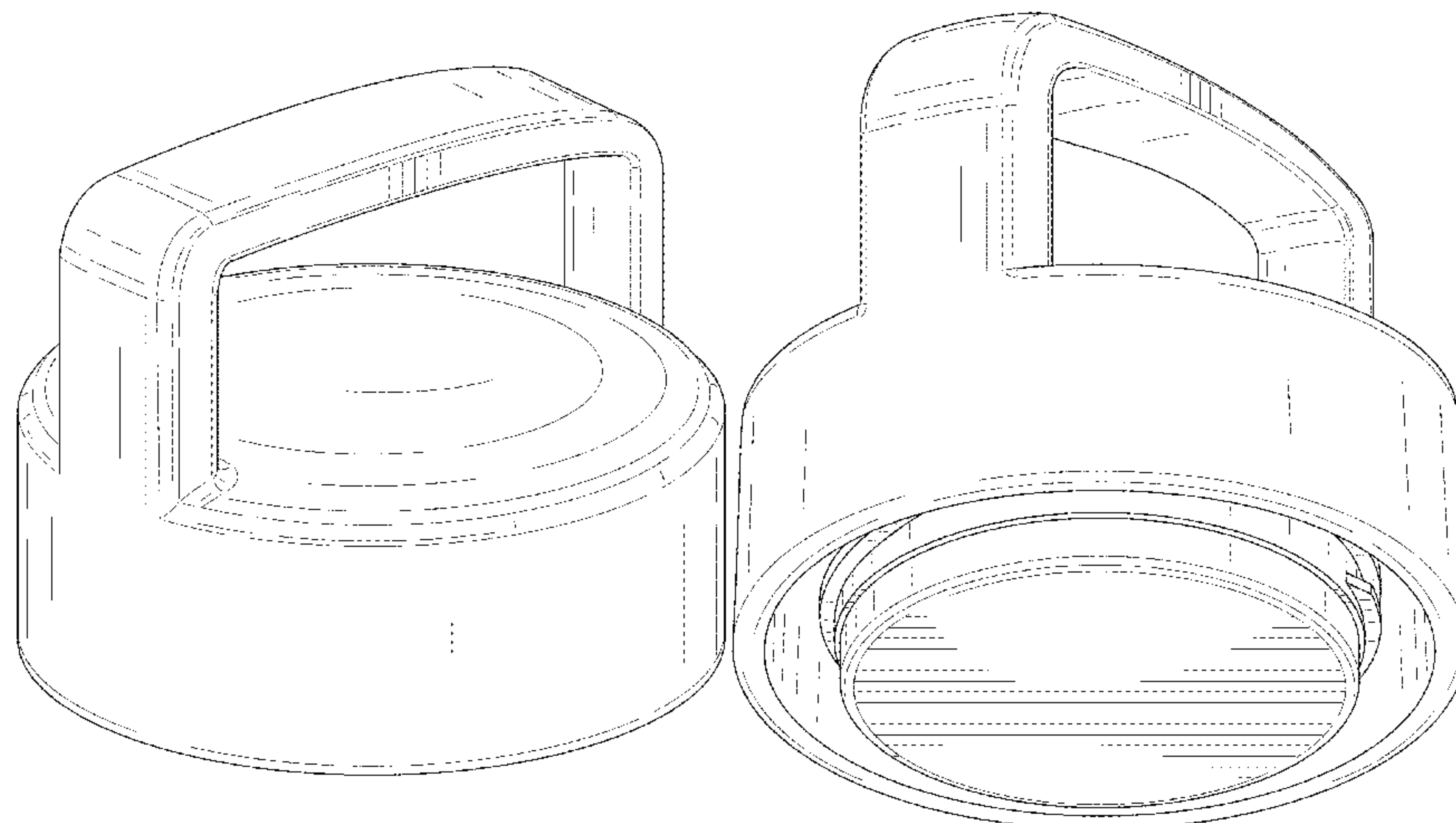
(57) **CLAIM**

The ornamental design for a loop cap for a beverage container, as shown and described.

**DESCRIPTION**

FIG. 1 is a top perspective view of a loop cap for a beverage container showing my new design.  
FIG. 2 is a front view thereof.  
FIG. 3 is a rear view thereof.  
FIG. 4 is a right side view thereof.  
FIG. 5 is a left side view thereof.  
FIG. 6 is a top plan view thereof.  
FIG. 7 is a bottom plan view thereof; and,  
FIG. 8 is bottom perspective view thereof.

(Continued)



The dot-dash lines represent the claim boundaries and form no part of the claimed design.

**1 Claim, 8 Drawing Sheets**

(56)

**References Cited**

U.S. PATENT DOCUMENTS

D539,655 S 4/2007 Kipperman  
 D557,994 S 12/2007 Wahl  
 7,470,336 B2 12/2008 Buck  
 D592,909 S 5/2009 Alviar  
 D616,744 S \* 6/2010 Cresswell ..... D9/443  
 D620,798 S \* 8/2010 Cresswell ..... D9/443  
 D627,602 S \* 11/2010 Eyal ..... D7/510  
 D629,657 S 12/2010 Carreno  
 D629,689 S 12/2010 Cresswell  
 D632,522 S \* 2/2011 Wahl ..... D7/392.1  
 D639,166 S 6/2011 Carreno  
 D641,591 S 7/2011 Tsukida  
 D648,984 S 11/2011 Gullickson et al.  
 D652,682 S 1/2012 Eyal  
 D680,805 S 4/2013 Rosbach  
 D687,677 S 8/2013 Sturgess  
 D688,912 S 9/2013 Rosbach  
 D693,170 S 11/2013 Rosbach  
 D699,516 S 2/2014 Kim et al.  
 D700,014 S 2/2014 Zeanah  
 D704,986 S 5/2014 Manies  
 D741,655 S 10/2015 Whelan et al.

D752,916 S 4/2016 Goodwin et al.  
 D756,702 S \* 5/2016 Joseph ..... D7/392.1  
 D758,859 S \* 6/2016 Sorensen ..... D7/393  
 D759,429 S 6/2016 Rosbach  
 D760,080 S 6/2016 Gorbald  
 D760,586 S \* 7/2016 Seiders ..... D7/392.1  
 D765,471 S 9/2016 Gorbald  
 D777,508 S 1/2017 Goodwin et al.  
 D781,146 S \* 3/2017 Seiders ..... D7/392.1  
 D786,012 S 5/2017 Hein et al.  
 D791,532 S \* 7/2017 Yao ..... D7/392.1  
 D799,320 S 10/2017 Goodwin et al.  
 D806,468 S \* 1/2018 Goodwin ..... D7/392.1  
 D813,681 S 3/2018 Burns et al.  
 D814,928 S \* 4/2018 Seiders ..... D9/443  
 D816,398 S \* 5/2018 Fleischhut ..... D7/392.1  
 D816,400 S \* 5/2018 Beckman ..... D7/396.2  
 D816,493 S \* 5/2018 Seiders ..... D9/443  
 D819,396 S \* 6/2018 Seiders ..... D7/392.1  
 D823,062 S 7/2018 Goodwin et al.  
 D827,388 S 9/2018 Kander  
 D841,391 S \* 2/2019 Pape ..... D7/391  
 D842,027 S \* 3/2019 Boroski ..... D7/392.1  
 D843,212 S \* 3/2019 Seiders ..... D9/443  
 D850,849 S \* 6/2019 Ke ..... D7/396.2  
 D853,237 S \* 7/2019 Yao ..... D9/436  
 D856,748 S \* 8/2019 Rane ..... D7/392.1  
 D862,228 S \* 10/2019 Yao ..... D9/443  
 D870,508 S \* 12/2019 Palkon ..... D7/392.1  
 D874,216 S \* 2/2020 Henkel ..... D7/392  
 D875,466 S \* 2/2020 Diener ..... D7/396.2  
 D880,230 S \* 4/2020 Jacobsen ..... D7/396.2  
 2018/0009576 A1 \* 1/2018 Sullivan ..... B65D 47/121

\* cited by examiner

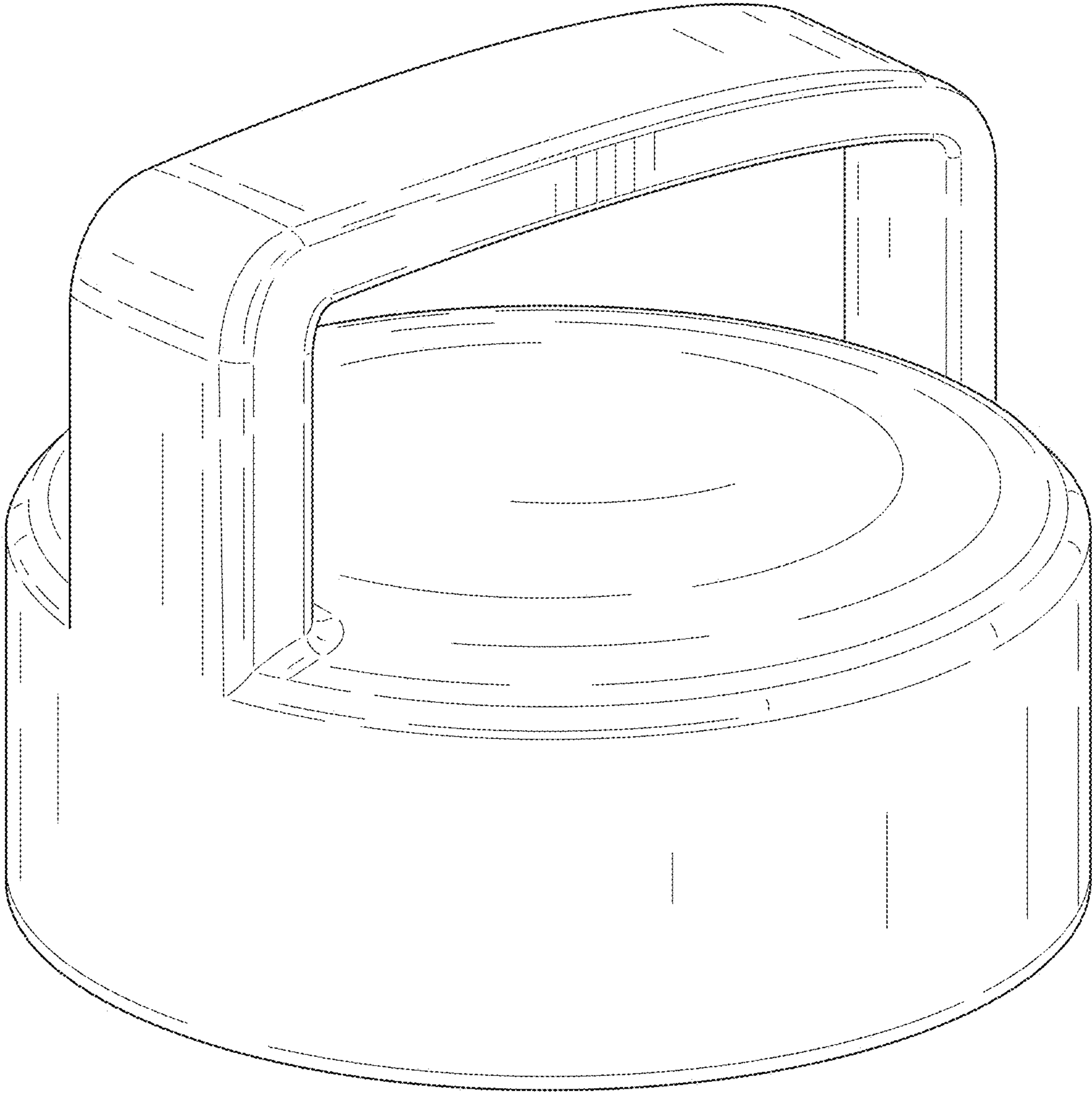


FIG. 1

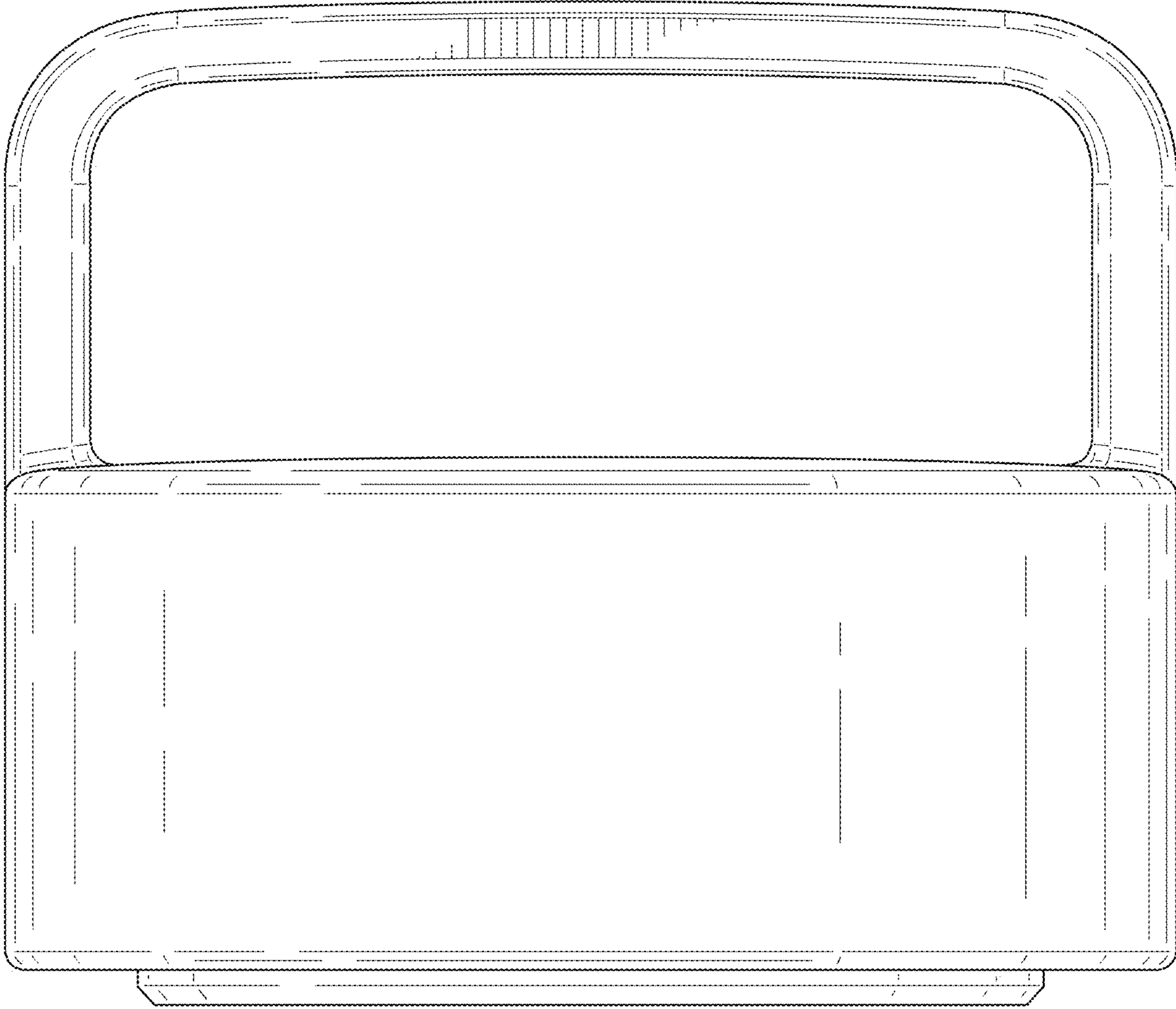


FIG. 2



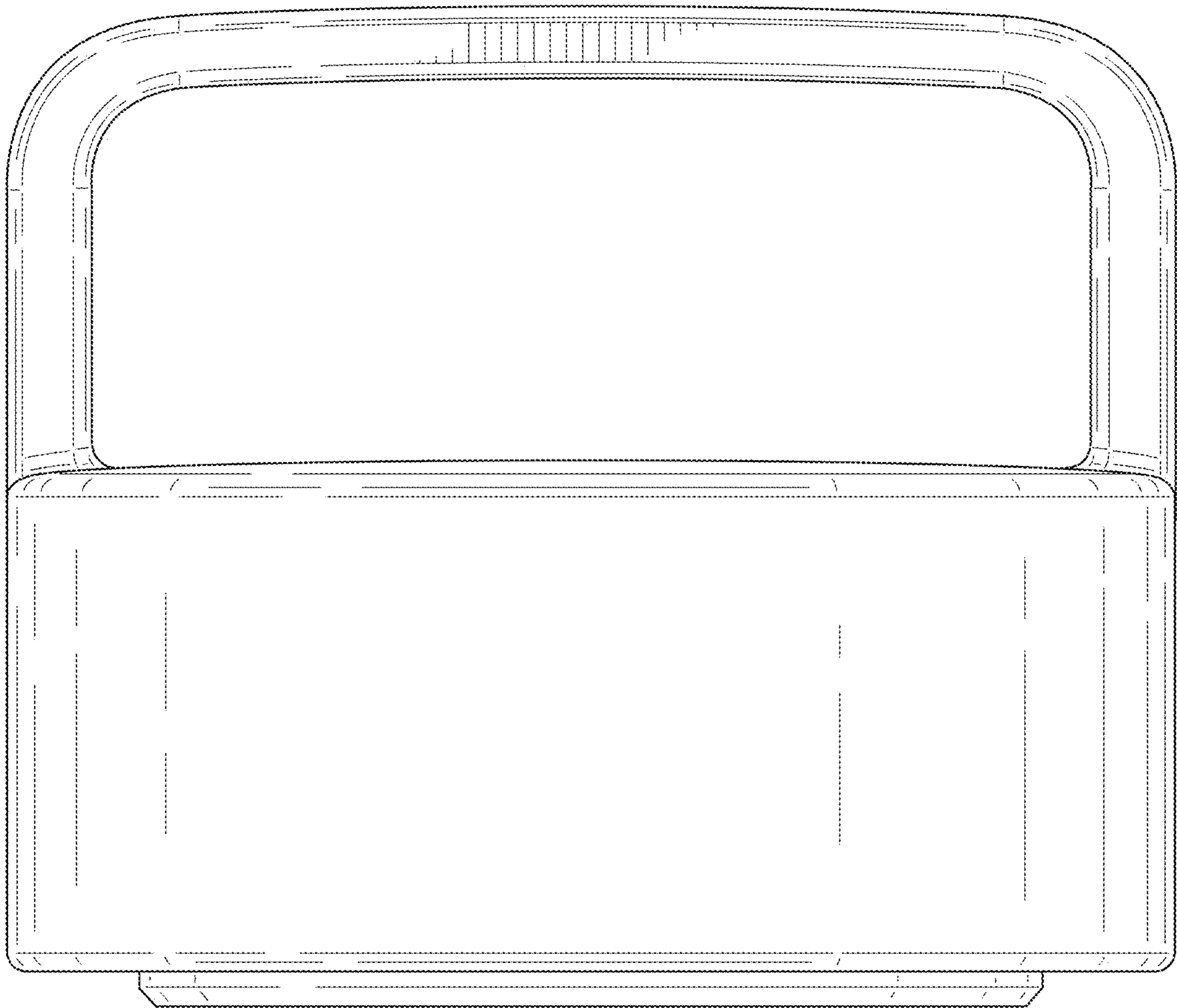


FIG. 3

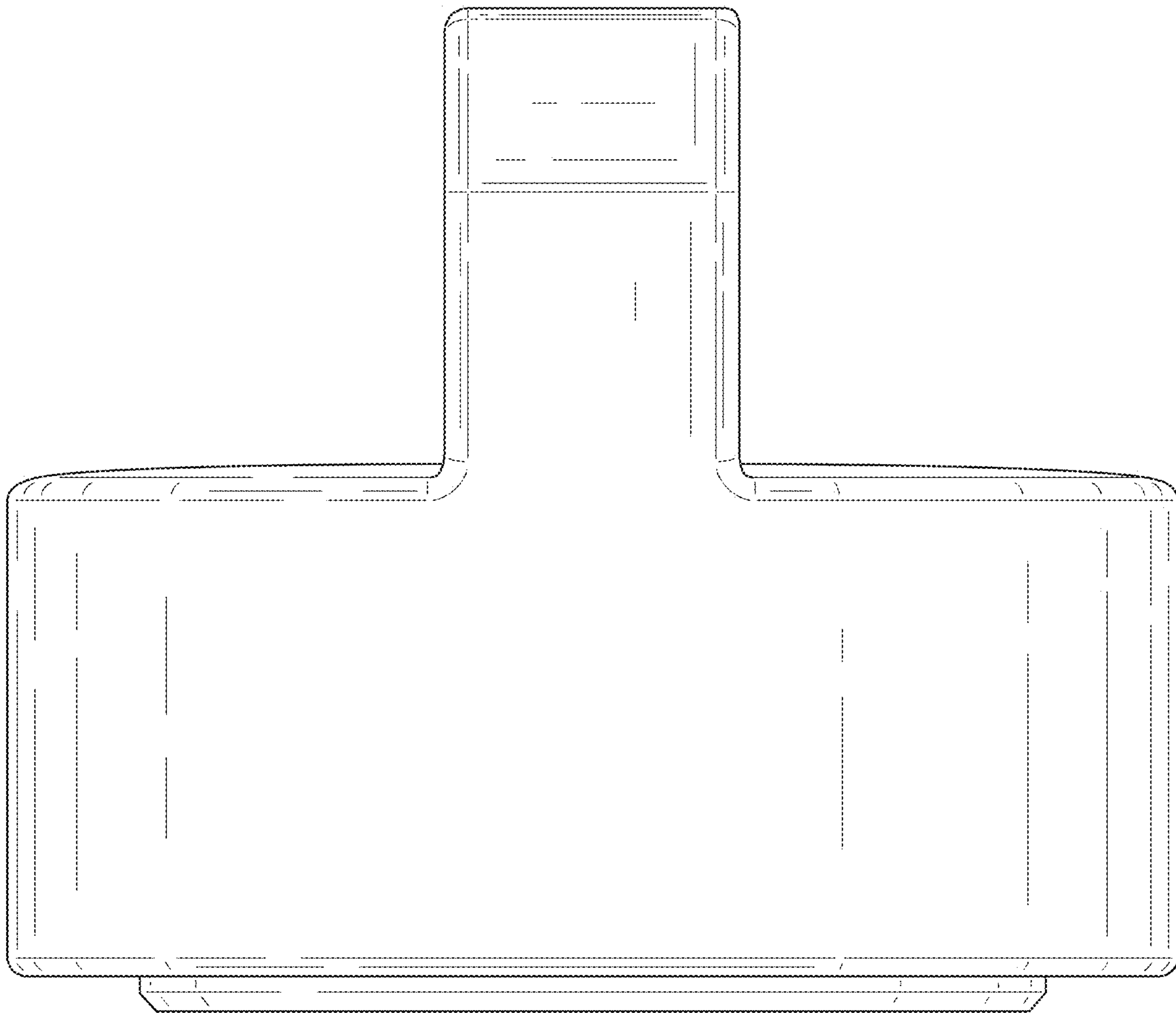


FIG. 4

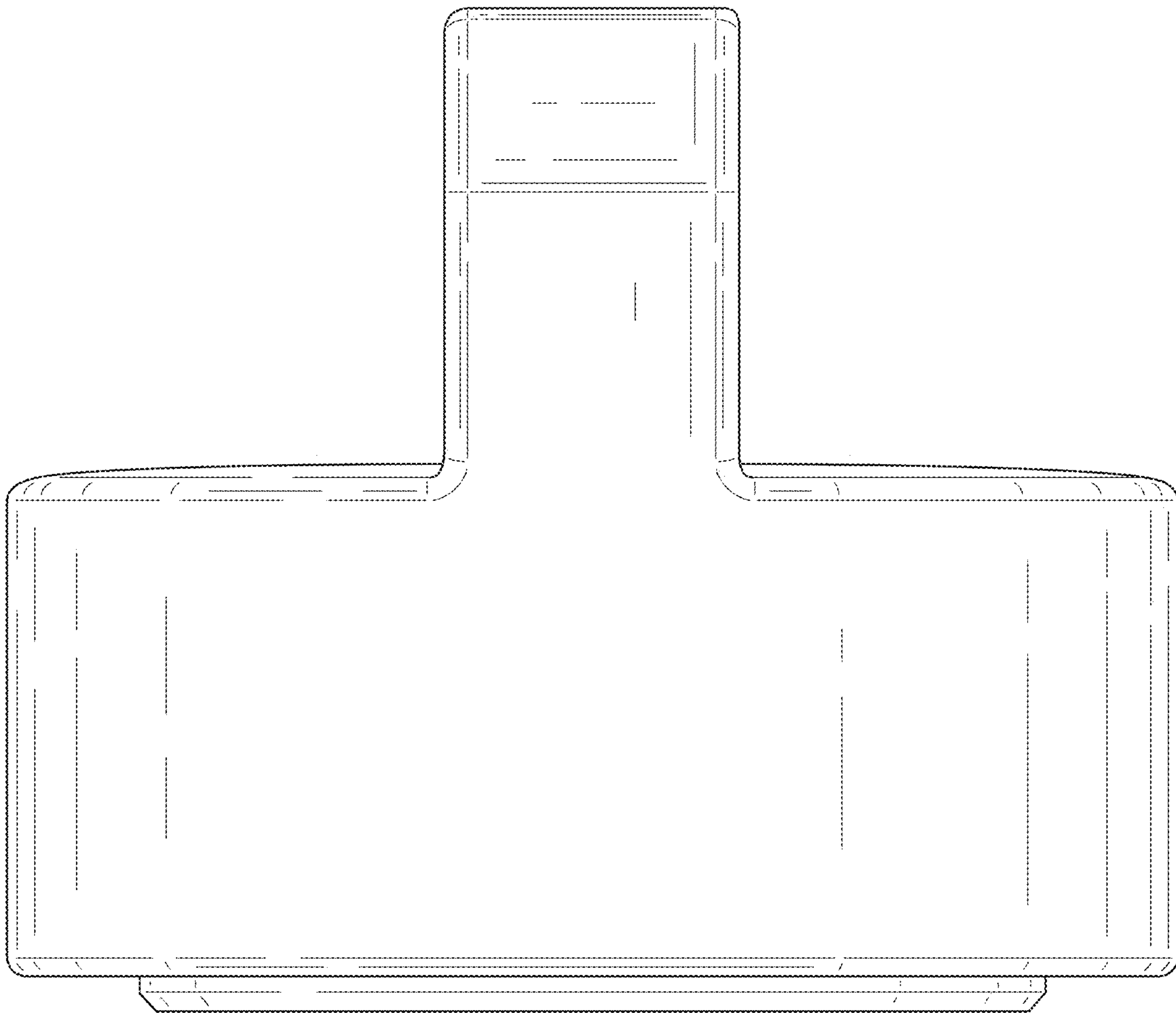


FIG. 5

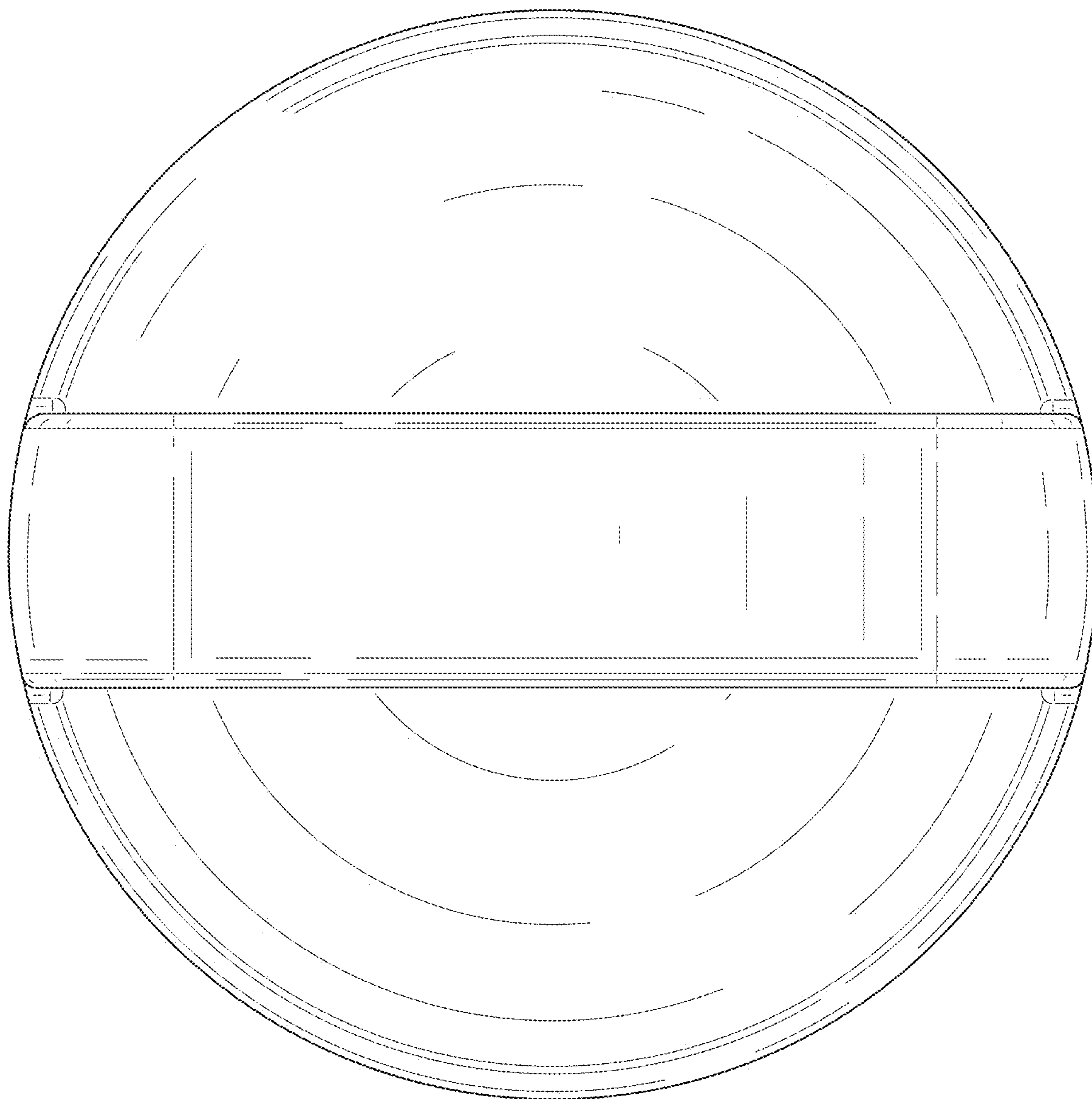


FIG. 6



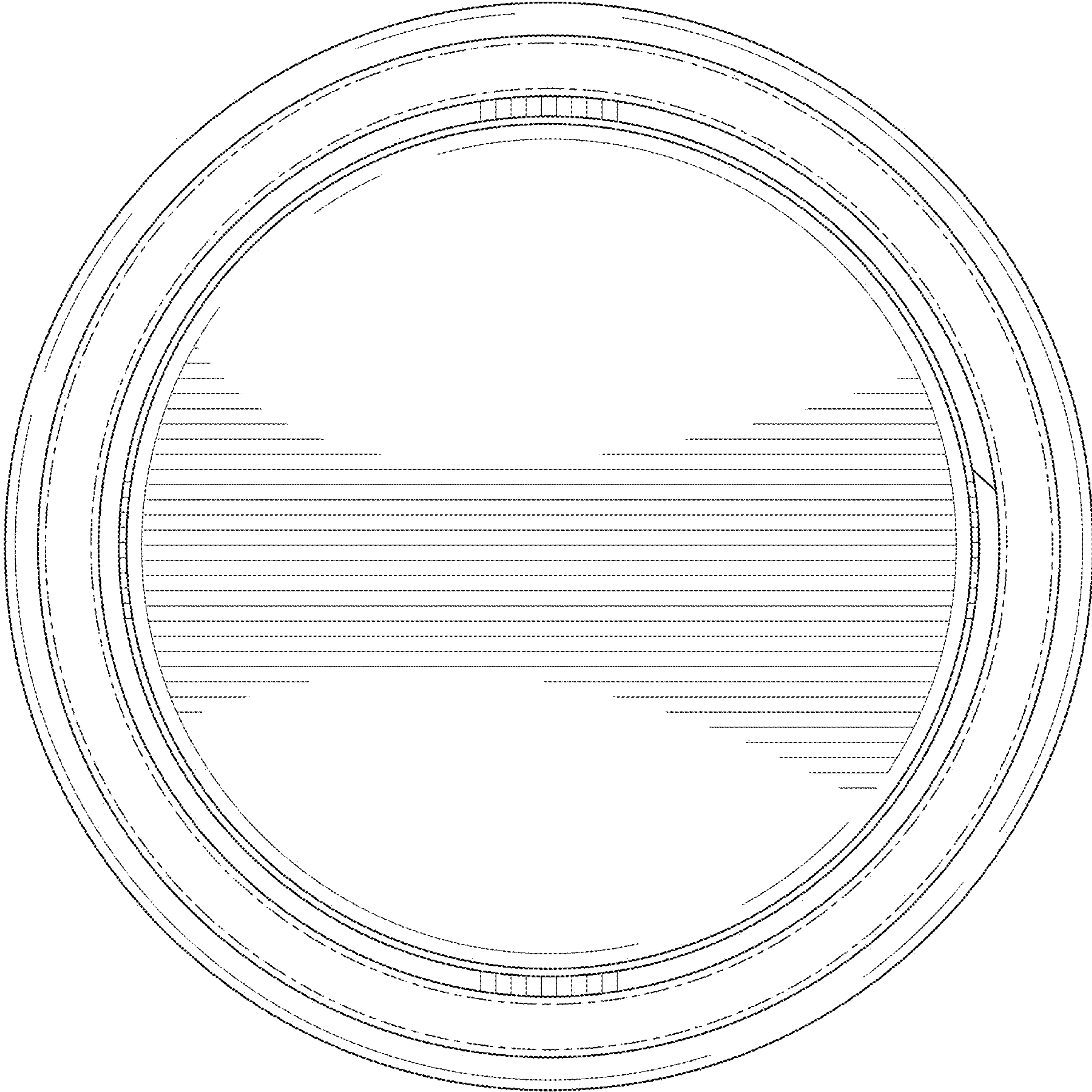


FIG. 7

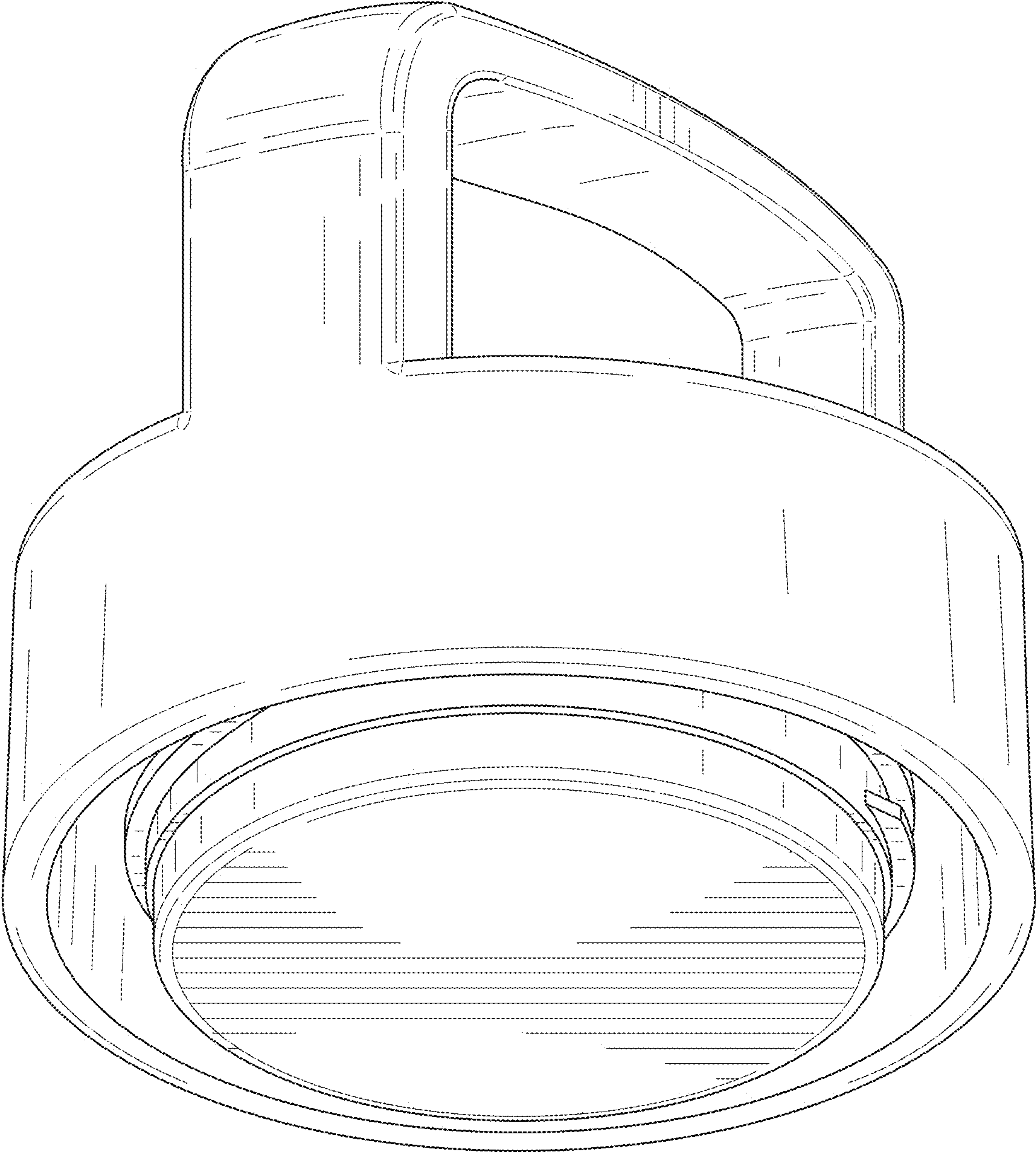


FIG. 8