



US00D893937S

(12) **United States Design Patent** (10) **Patent No.:** **US D893,937 S**  
**Ferrada** (45) **Date of Patent:** **\*\* Aug. 25, 2020**

- (54) **STEAMER BASKET**
- (71) Applicant: **Lifetime Brands, Inc.**, Garden City, NY (US)
- (72) Inventor: **Bradley Ferrada**, Forest Hills, NY (US)
- (73) Assignee: **LIFETIME BRANDS, INC.**, Garden City, NY (US)
- (\*\*) Term: **15 Years**
- (21) Appl. No.: **29/689,069**
- (22) Filed: **Apr. 26, 2019**
- (51) **LOC (12) Cl.** ..... **07-02**
- (52) **U.S. Cl.**  
USPC ..... **D7/360**
- (58) **Field of Classification Search**  
USPC ..... D7/323, 337, 339, 340, 341, 352, 354, D7/355, 356, 357, 358, 359, 360, 361, D7/393, 402, 403, 409, 601, 612  
CPC .... A21B 1/06; A21B 1/26; A21B 1/50; A21B 1/52; A47J 37/04; A47J 37/06; A47J 37/015; A47J 37/067; A47J 37/0629; A47J 37/0676; A47J 37/108; A47J 36/16; A47J 36/20; A47J 36/22; F24C 7/06; F24C 15/02; H05B 3/20; H05B 3/40  
See application file for complete search history.

- D865,445 S \* 11/2019 Lin ..... D7/409
- D878,144 S \* 3/2020 Armistead ..... D7/359
- D884,422 S \* 5/2020 Zhong ..... D7/409
- 2012/0168341 A1\* 7/2012 Hager ..... A47J 36/20  
206/526
- 2015/0297027 A1\* 10/2015 Nespoux ..... A47J 43/046  
99/353
- 2020/0121124 A1\* 4/2020 Ertvaag ..... A47J 36/18

**OTHER PUBLICATIONS**

Instant Pot 5252049 Official Silicone Steamer Basket, announced Dec. 21, 2019 [online], retrieved Jun. 16, 2020, retrieved from internet, [https://www.amazon.com/Instant-Pot-5252049-Official-Compatible/dp/B07WVVSBJV/ref=cm\\_cr\\_ar\\_p\\_d\\_product\\_top?ie=UTF8](https://www.amazon.com/Instant-Pot-5252049-Official-Compatible/dp/B07WVVSBJV/ref=cm_cr_ar_p_d_product_top?ie=UTF8).\*  
Official Silicone Steamer Basket, announced Jan. 2020 [online], retrieved Jun. 16, 2020, retrieved from internet, <https://www.belk.com/p/instant-pot-official-silicone-steamer-basket/81000405252049.html>.\*

\* cited by examiner

*Primary Examiner* — Dana K Weiland  
*Assistant Examiner* — Messina L Smith  
(74) *Attorney, Agent, or Firm* — Tutunjian & Bitetto, P.C.

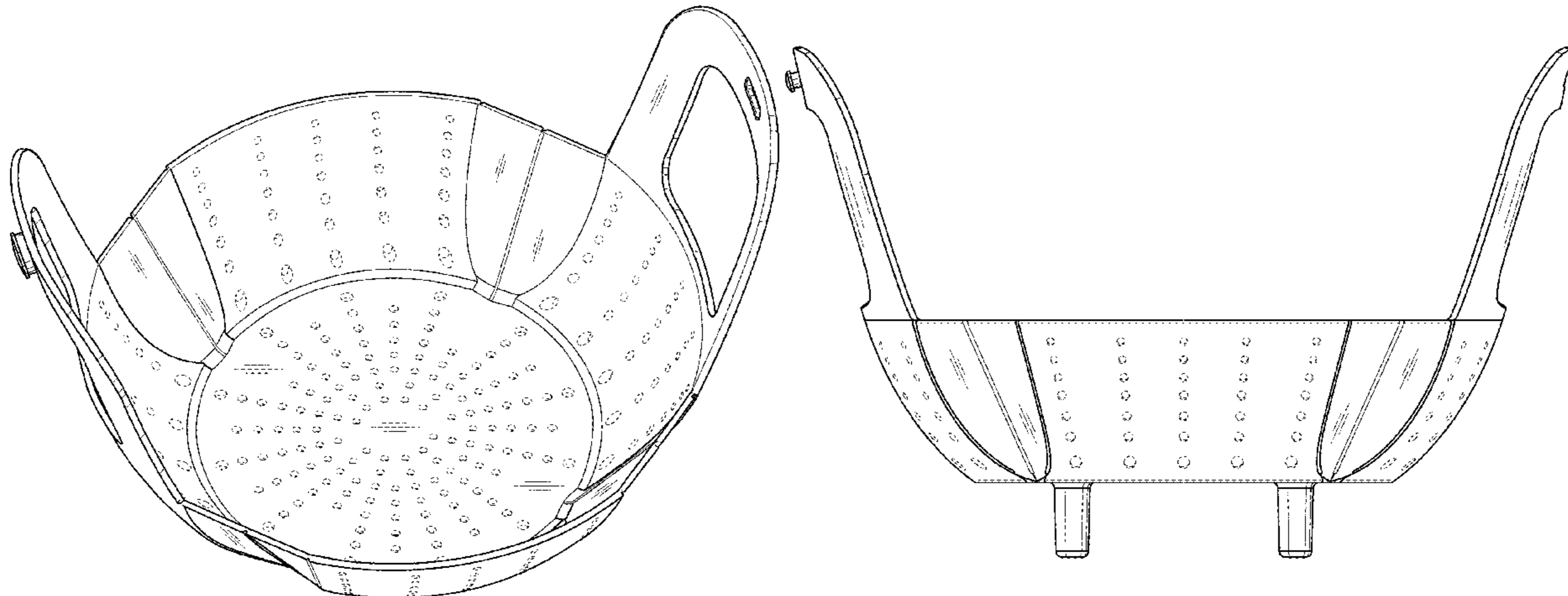
(57) **CLAIM**

The ornamental design for a steamer basket, as shown and described.

**DESCRIPTION**

FIG. 1 is a perspective view of a steamer basket showing my new design;  
FIG. 2 is a top view thereof;  
FIG. 3 is a bottom view thereof;  
FIG. 4 is a front view thereof;  
FIG. 5 is a left side view thereof;  
FIG. 6 is a rear view thereof; and,  
FIG. 7 is a right side view thereof.  
The broken lines in the drawings depict portions of the steamer basket that form no part of the claimed design.

**1 Claim, 7 Drawing Sheets**



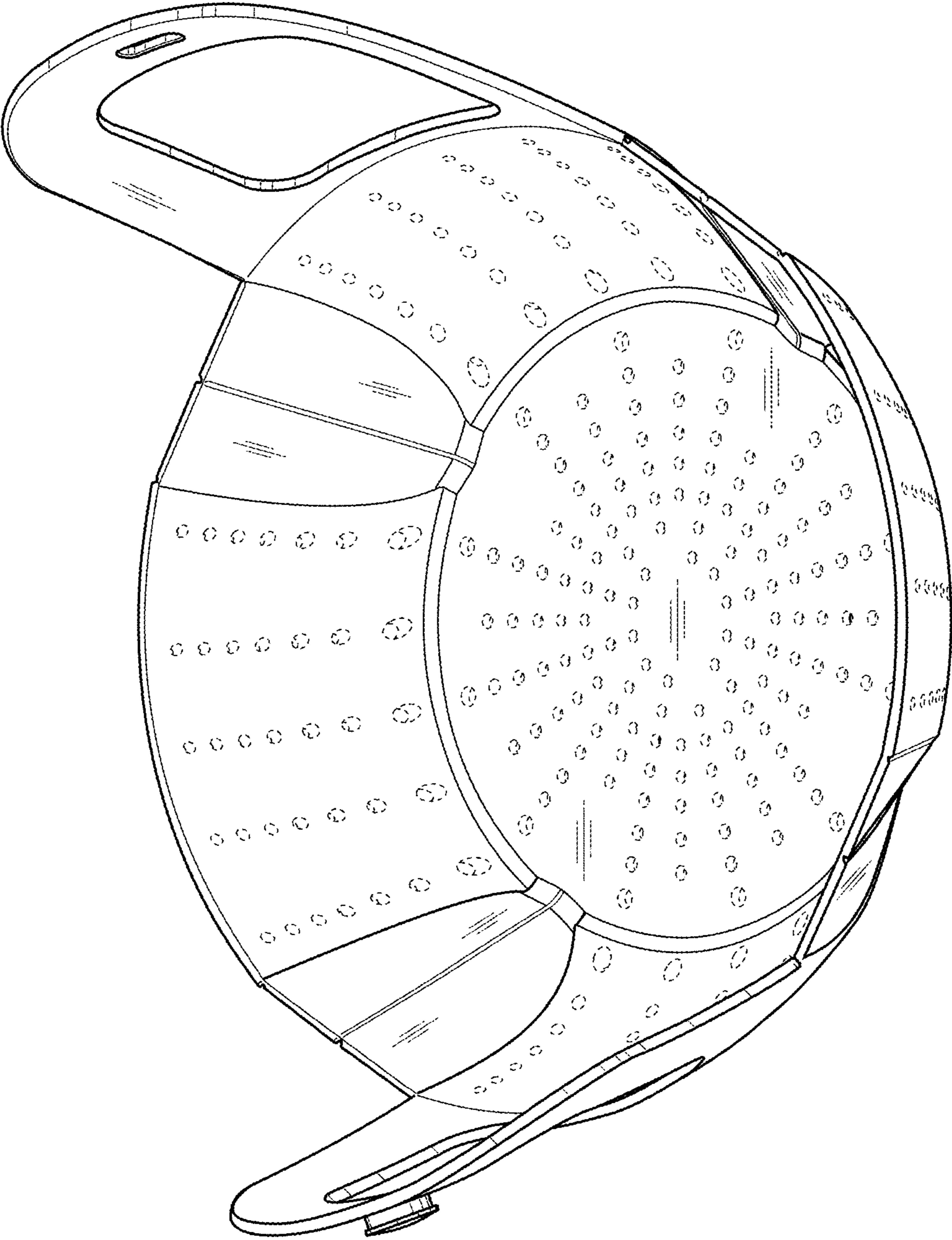


FIG. 1

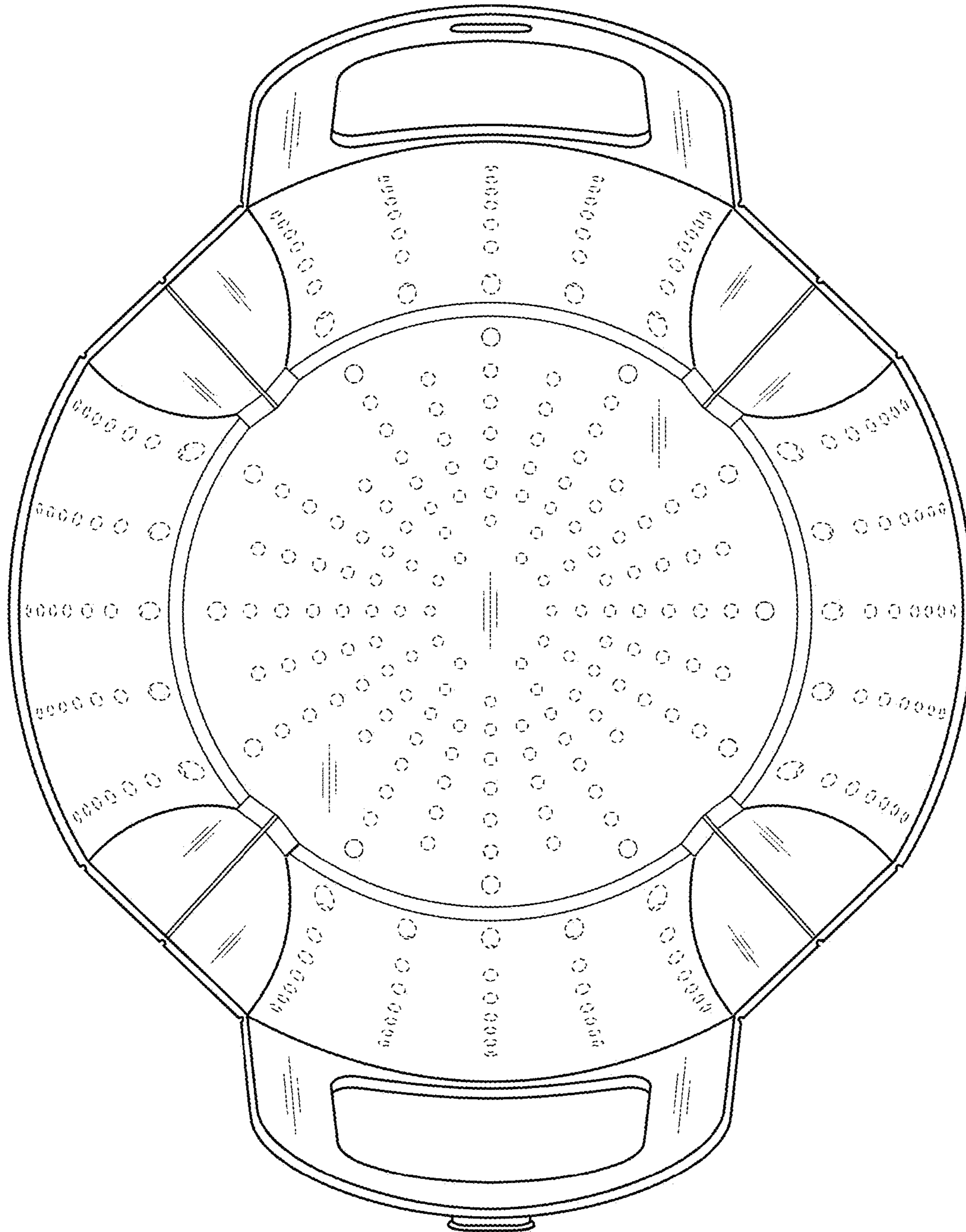


FIG. 2

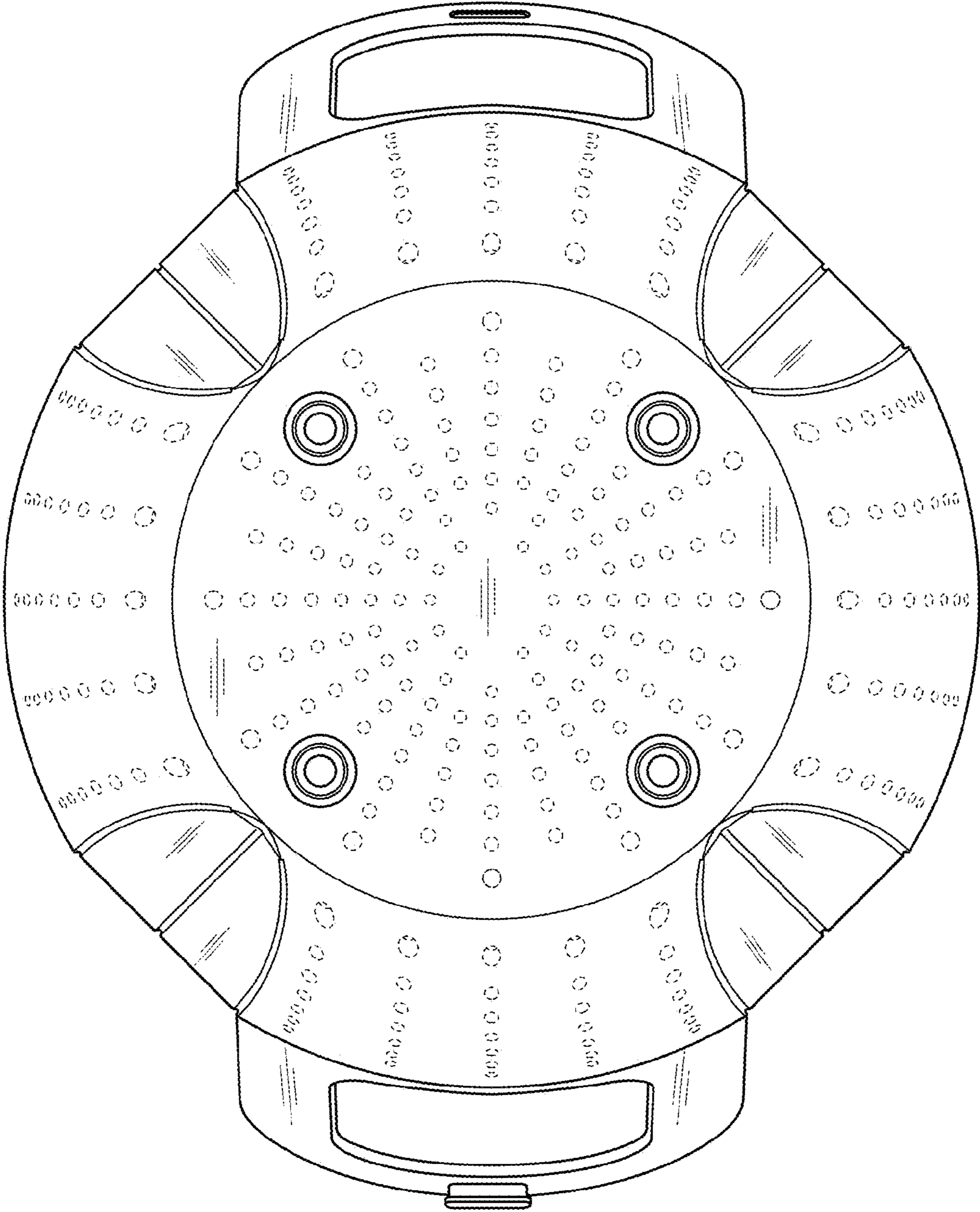


FIG. 3

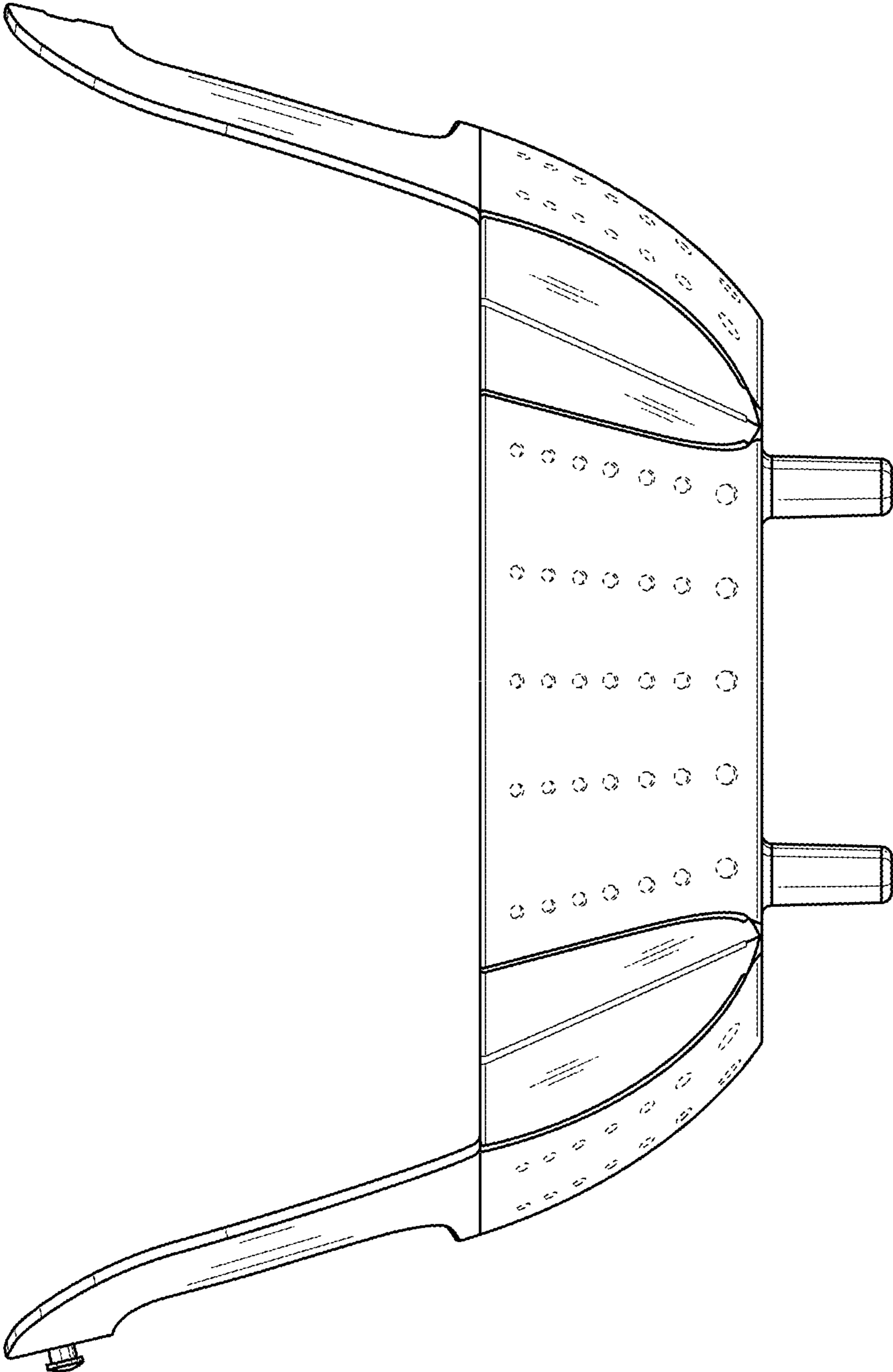


FIG. 4

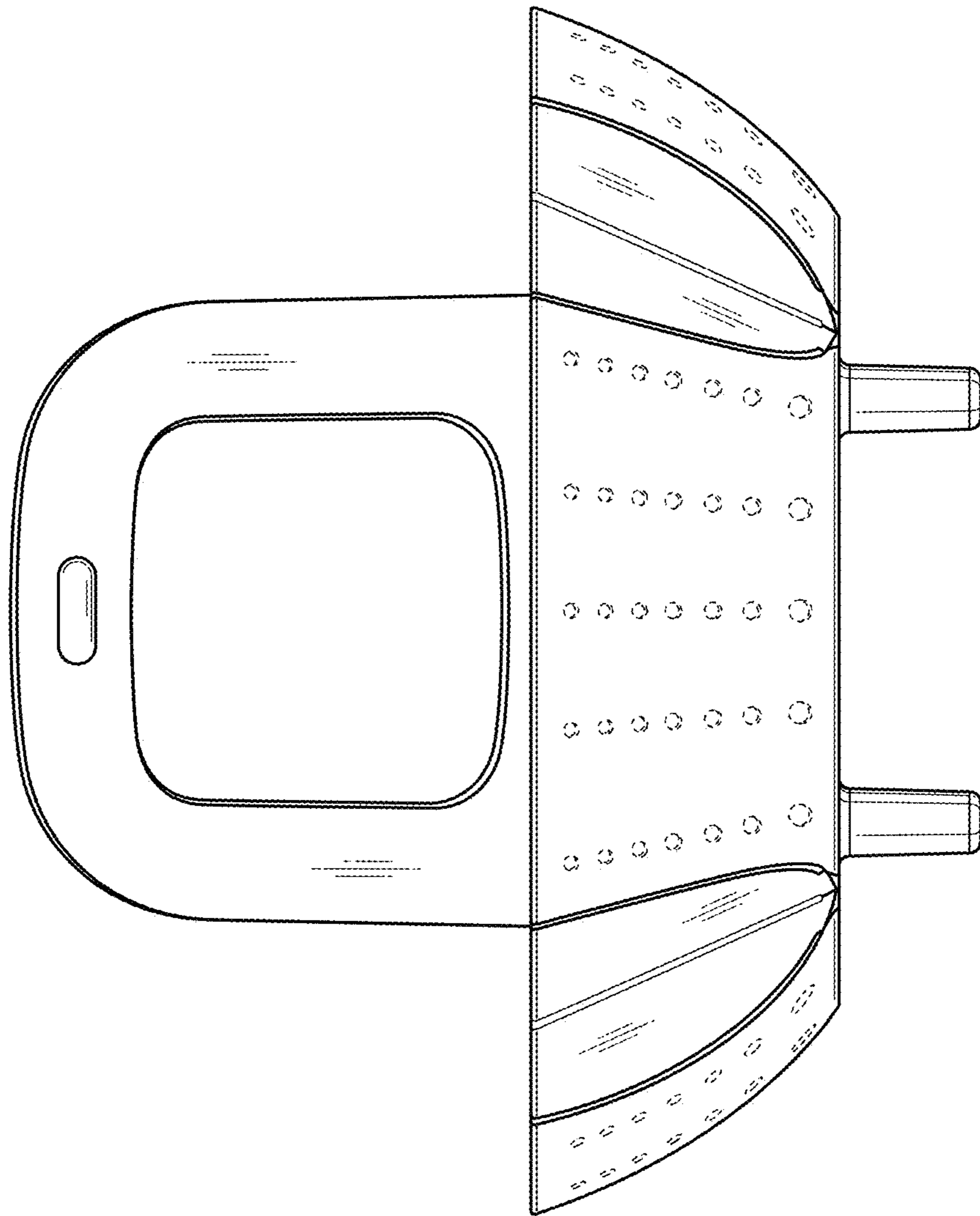


FIG. 5

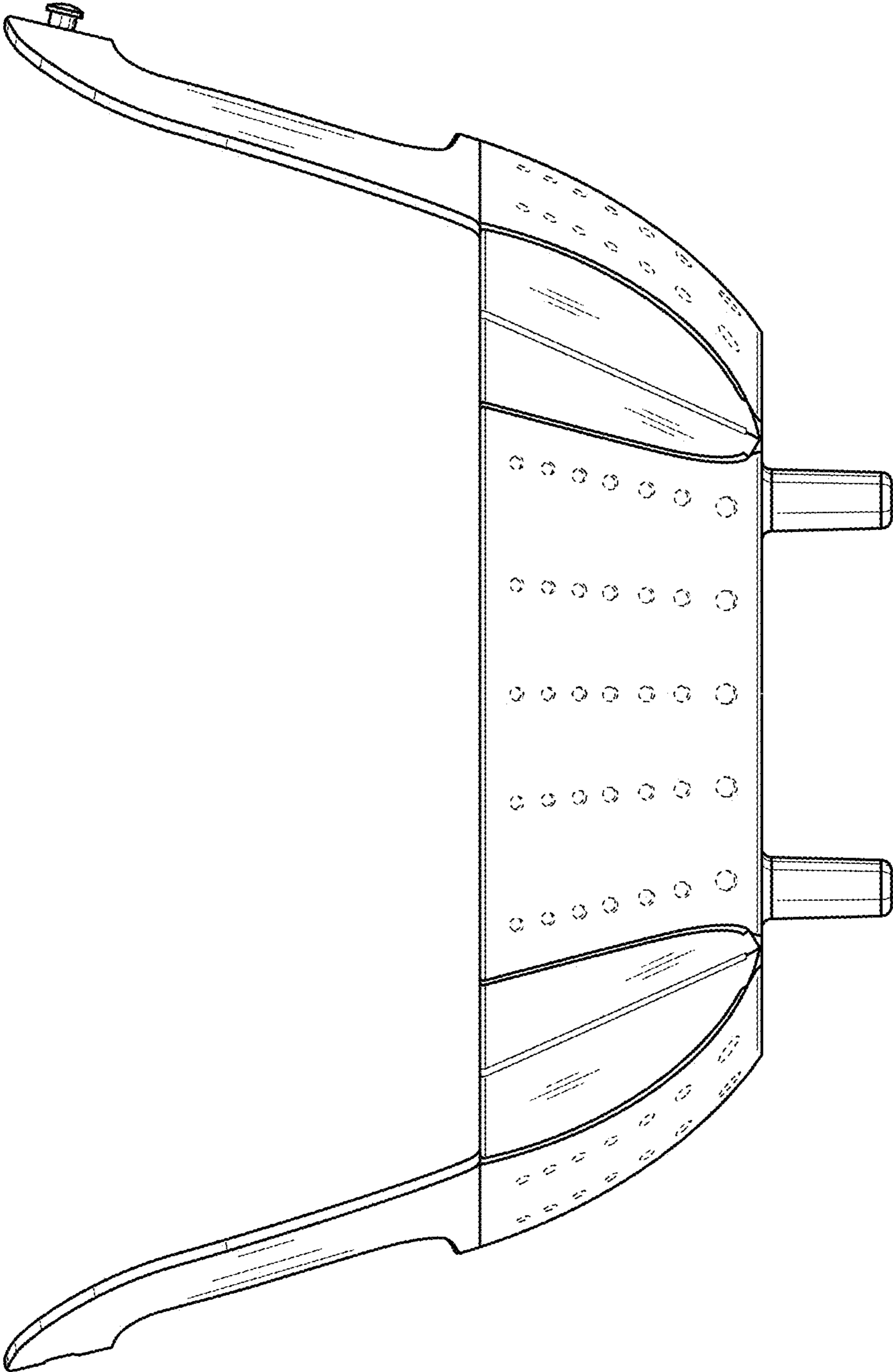


FIG. 6

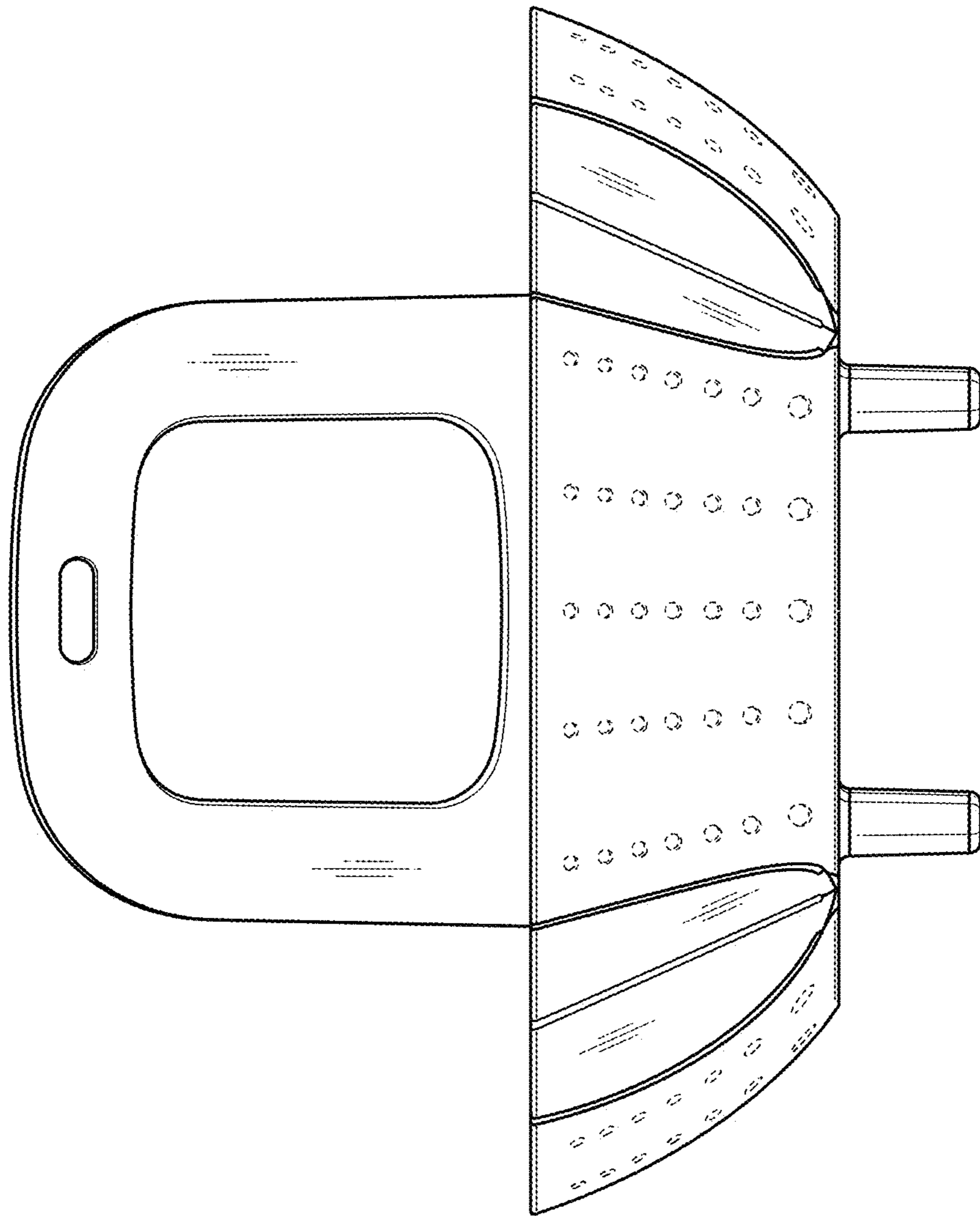


FIG. 7