



US00D893936S

(12) **United States Design Patent**  
**Goddard**

(10) **Patent No.:** **US D893,936 S**

(45) **Date of Patent:** **\*\* Aug. 25, 2020**

(54) **PIZZA TIN FOR SLICED PIZZA**  
(71) Applicant: **Mark A. Goddard**, Charlotte, NC (US)  
(72) Inventor: **Mark A. Goddard**, Charlotte, NC (US)  
(\*\*) Term: **15 Years**

(21) Appl. No.: **29/659,751**

(22) Filed: **Aug. 11, 2018**

(51) **LOC (12) Cl.** ..... **07-02**

(52) **U.S. Cl.**  
USPC ..... **D7/354**

(58) **Field of Classification Search**  
USPC ..... D7/323, 354–361, 392.1, 543, 545, 549,  
D7/550.1, 553.1–553.8, 554.1–554.4, 555,  
D7/584, 586, 688; D9/430–433,  
D9/455–456, 737, 756–762  
CPC .. A21B 3/00; A21B 3/003; A21B 3/13; A21B  
3/15; A21B 3/134; A21B 5/00; A21B  
5/02; A21D 13/41; A47G 19/26; A47G  
21/001; A47G 21/045; A47J 36/022; A47J  
36/025; A47J 36/027; A47J 37/00; A47J  
37/04; A47J 43/28; A47J 43/283–43/284;  
B65D 1/22; B65D 1/24; B65D 1/34;  
B65D 1/36; B65D 81/343; B65D 85/36  
See application file for complete search history.

(56) **References Cited**

**U.S. PATENT DOCUMENTS**

1,526,397 A 2/1924 Thornton  
1,612,367 A \* 12/1926 Fulton ..... A47J 43/283  
294/7  
2,446,629 A \* 8/1948 Brown ..... A47G 19/26  
206/551  
2,452,969 A 11/1948 Victor  
2,622,912 A \* 12/1952 Schroeder ..... A47G 21/045  
294/173  
D195,524 S 6/1963 Patton, Jr. et al.  
4,890,549 A \* 1/1990 Steiner ..... A47G 21/001  
24/487

5,129,521 A \* 7/1992 Irigoite ..... A47G 21/001  
206/551  
D336,589 S 6/1993 Schindler  
5,381,905 A \* 1/1995 Mallmamm ..... A47G 21/001  
206/551  
5,526,569 A 6/1996 Ancona  
(Continued)

**OTHER PUBLICATIONS**

Pizza Reheating Tray for Microwave, manufactured by Jobar International sold by Black Duck Deals, found on Amazon.com, Jul. 6, 2018 (first listed on Amazon: Feb. 16, 2016) <https://www.amazon.com/gp/product/B01BUI9286/?tag=bakeware101a-20&pij=030617064024>.

*Primary Examiner* — Ricky Pham

(74) *Attorney, Agent, or Firm* — Maier & Maier, PLLC

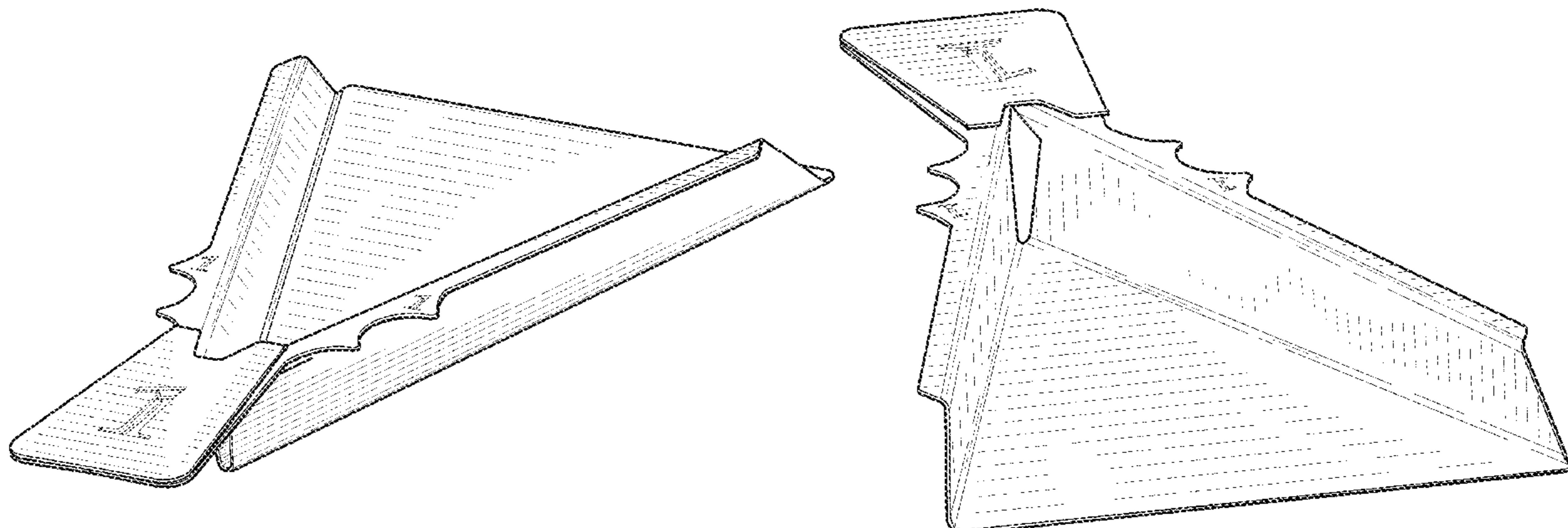
(57) **CLAIM**

The ornamental design for a pizza tin for sliced pizza, as shown and described.

**DESCRIPTION**

FIG. 1 is a perspective view of an exemplary embodiment of a pizza tin for sliced pizza;  
FIG. 2 is another perspective view of the pizza tin for sliced pizza of FIG. 1;  
FIG. 3 is a top view of the pizza tin for sliced pizza of FIG. 1;  
FIG. 4 is a left or right side view of the pizza tin for sliced pizza of FIG. 1;  
FIG. 5 is a bottom view of the pizza tin for sliced pizza of FIG. 1;  
FIG. 6 is an enlarged front view of the pizza tin for sliced pizza of FIG. 1; and,  
FIG. 7 is an enlarged rear view of the pizza tin for sliced pizza of FIG. 1.  
The broken lines showing the number one on the handle and side grip portion in the pizza tin for sliced pizza design secured thereon are for environmental purposes only and form no part of the claimed design.

**1 Claim, 4 Drawing Sheets**



(56)

**References Cited**

U.S. PATENT DOCUMENTS

D379,571 S \* 6/1997 Jeppesen ..... D7/391  
D391,808 S 3/1998 Voege  
D419,364 S 1/2000 Jarvis  
6,150,635 A 11/2000 Hannon et al.  
6,287,619 B1 9/2001 Khan  
6,299,918 B1 \* 10/2001 Morgese ..... A47G 21/001  
206/551  
D510,686 S \* 10/2005 Mounce ..... D7/688  
7,874,088 B2 1/2011 Nikols  
7,913,396 B2 \* 3/2011 Wei ..... A47G 21/045  
30/114  
D699,506 S 2/2014 Lee  
8,778,435 B2 7/2014 Pokotylo  
9,498,074 B1 11/2016 Baryshyan  
9,814,330 B2 11/2017 DiMeo  
10,602,745 B2 \* 3/2020 Goddard ..... A21D 13/41  
2007/0261568 A1 11/2007 Smothers  
2014/0367391 A1 12/2014 Perry et al.

\* cited by examiner

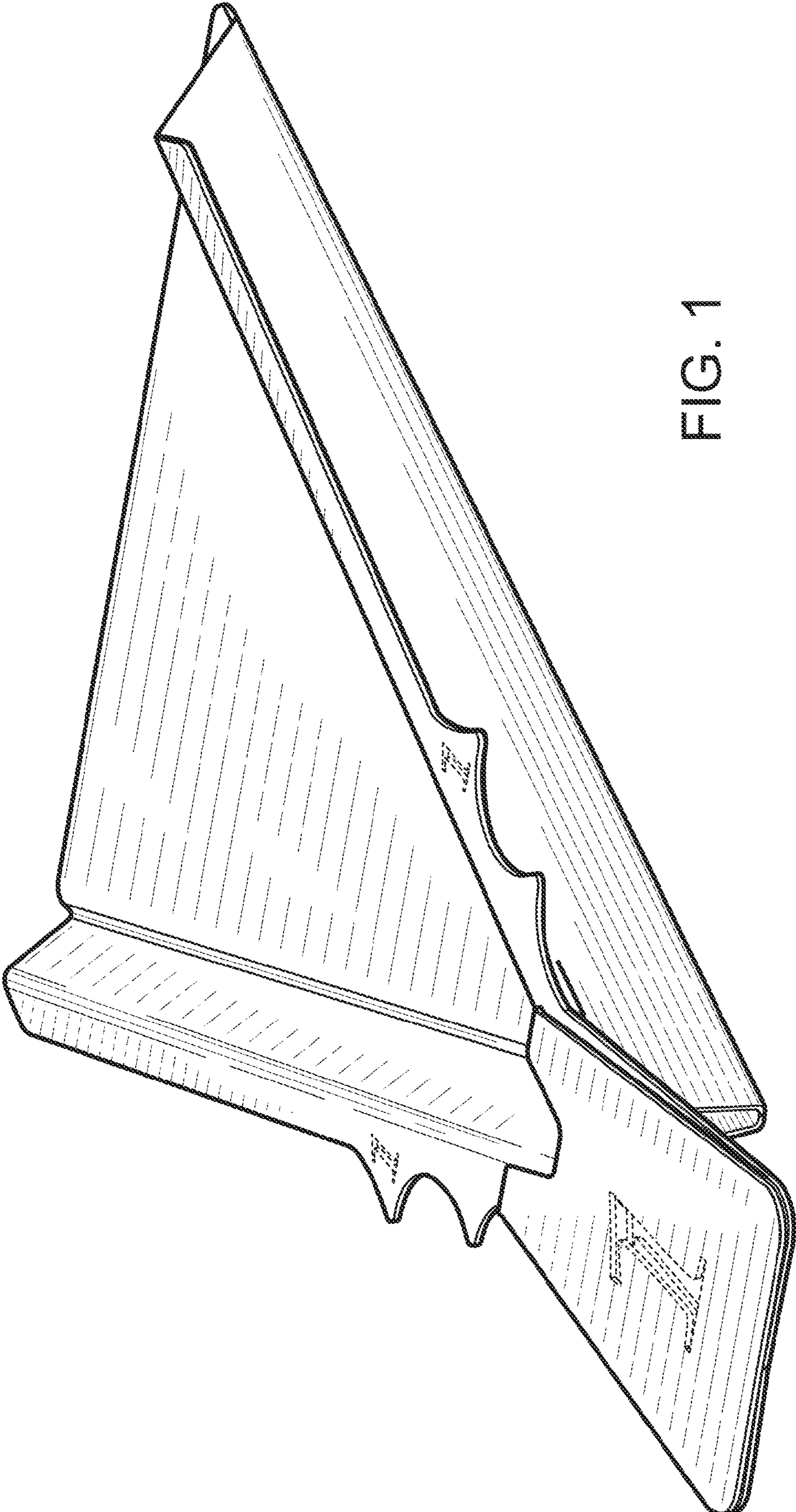
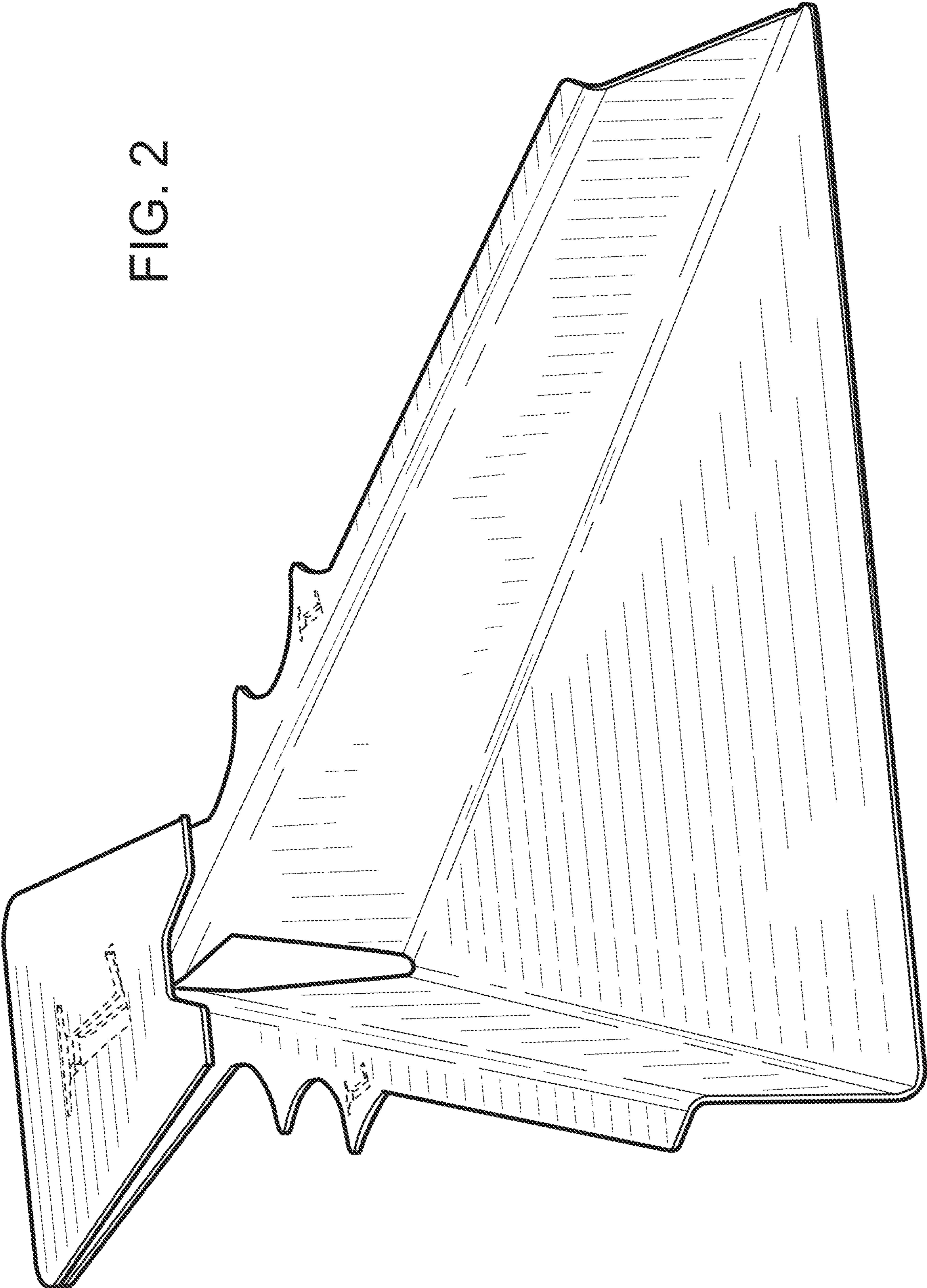


FIG. 1

FIG. 2



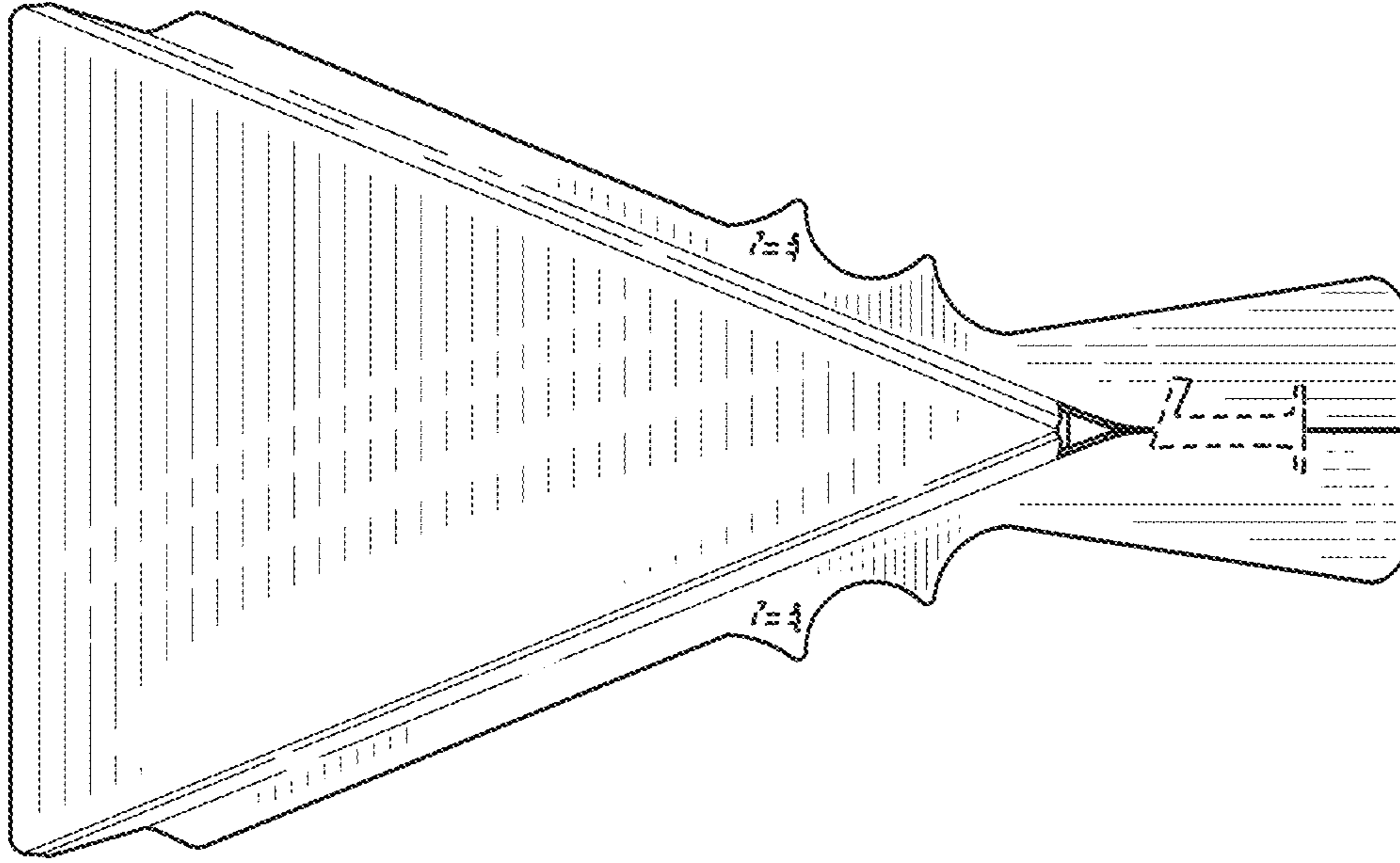


FIG. 3

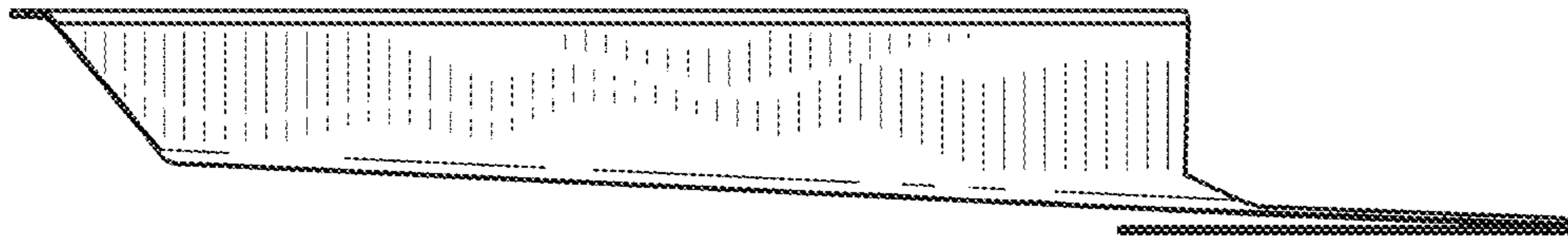


FIG. 4

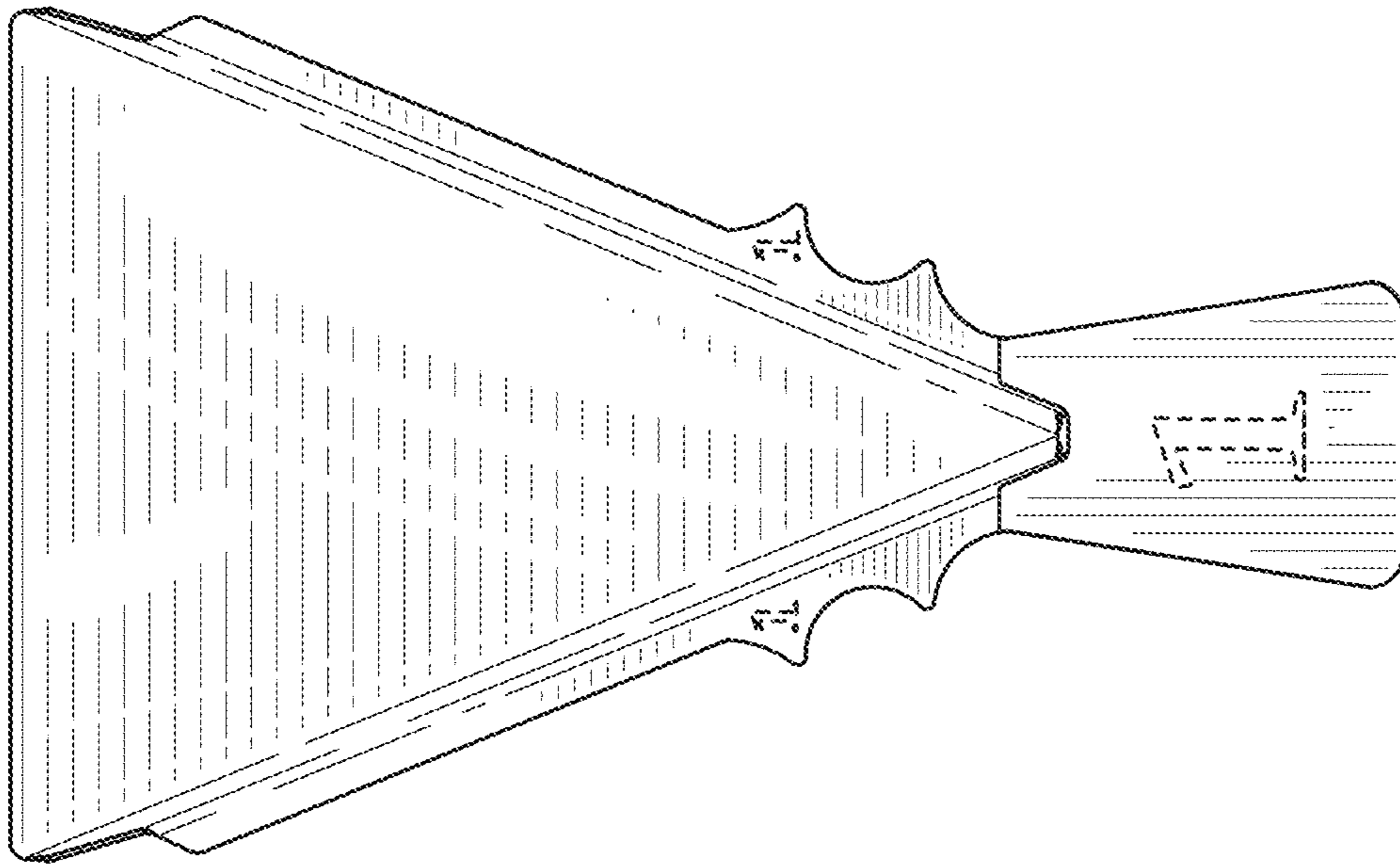


FIG. 5

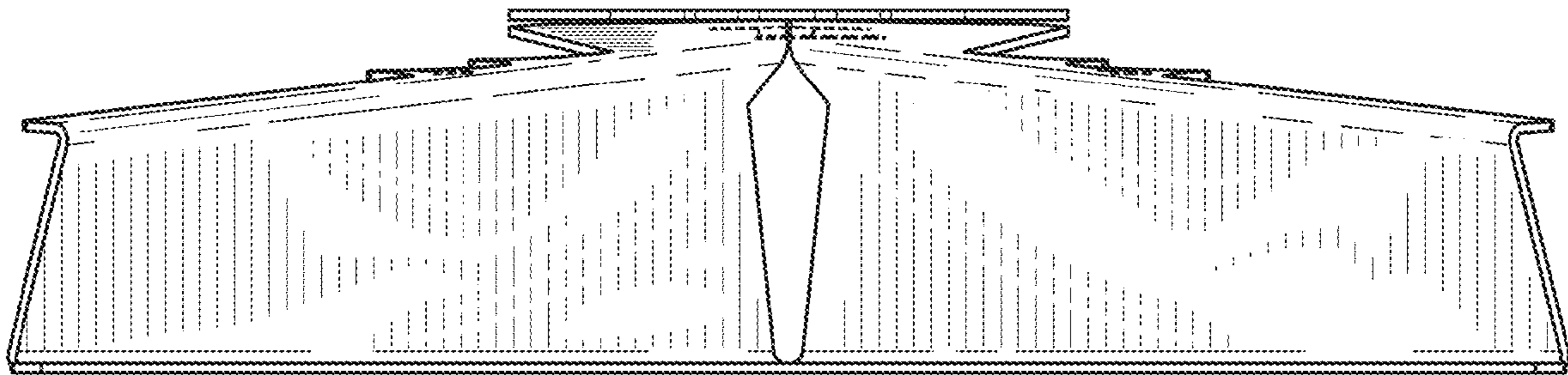


FIG. 6

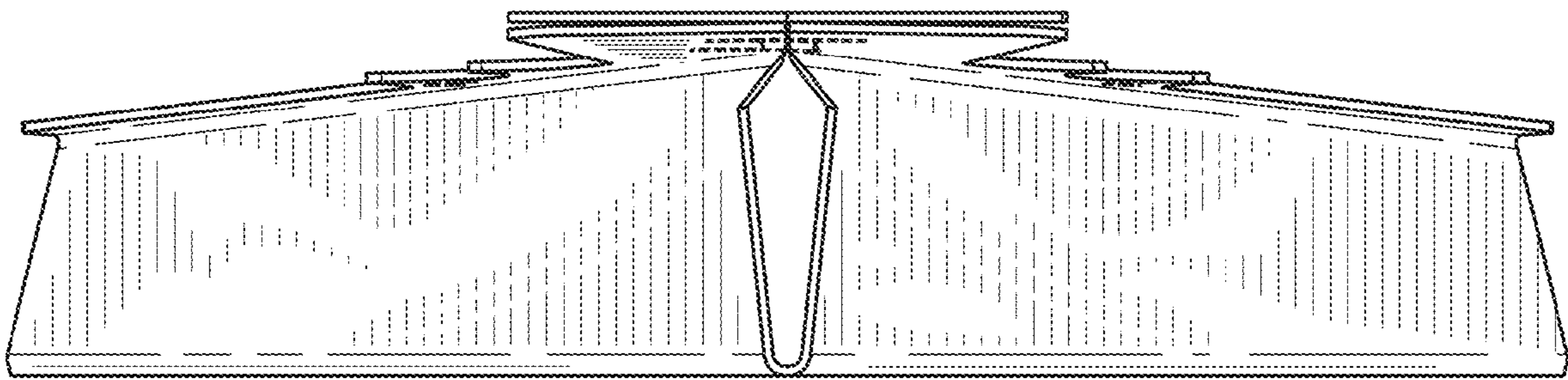


FIG. 7