

US00D893934S

(12) **United States Design Patent**
Fransen

(10) **Patent No.:** **US D893,934 S**

(45) **Date of Patent:** **** Aug. 25, 2020**

(54) **COOKING DEVICE**

(71) Applicant: **Breville Pty Limited**, Alexandria (AU)

(72) Inventor: **Adam Fransen**, Leichhardt (AU)

(73) Assignee: **Breville Pty Limited**, Alexandria (AU)

(**) Term: **15 Years**

(21) Appl. No.: **29/680,624**

(22) Filed: **Feb. 18, 2019**

(30) **Foreign Application Priority Data**

Dec. 17, 2018 (AU) 201817580

(51) **LOC (12) Cl.** **07-02**

(52) **U.S. Cl.**
USPC **D7/328**

(58) **Field of Classification Search**
USPC D7/323, 328-330, 350.1, 339-349, 351,
D7/390, 402-406

CPC ... A21B 2/00; A47J 37/00; A47J 37/06; A47J
37/0611; A47J 37/08; A47J 37/0807;
A47J 37/0814; A47J 37/0835; A47J
37/0842; A47J 37/085; A47J 37/0864;
A47J 37/0878; A47J 37/0885; A47J
37/0892; F24C 7/00; F24C 7/002; F24C
7/046; F24C 7/067; F24C 15/02; F24C
15/04; F24C 15/10; F24C 15/102

See application file for complete search history.

(56) **References Cited**

U.S. PATENT DOCUMENTS

D293,540 S * 1/1988 Choi D7/351
D295,822 S * 5/1988 Kubo D7/351

D373,925 S * 9/1996 Kim D7/351
D454,030 S * 3/2002 Noda D7/351
D461,365 S * 8/2002 Hessen D7/405
D522,800 S * 6/2006 Lee D7/351
D633,327 S * 3/2011 Kim D7/351
D777,504 S * 1/2017 Bhogal D7/350.1
D779,263 S * 2/2017 Suh D7/351
D782,864 S * 4/2017 Bhogal D7/350.1
D819,386 S * 6/2018 Gushwa D7/328
D861,409 S * 10/2019 Bhogal D7/328

FOREIGN PATENT DOCUMENTS

RU 98649 U1 10/2010

* cited by examiner

Primary Examiner — Ricky Pham

(74) *Attorney, Agent, or Firm* — Moser Taboada

(57) **CLAIM**

The ornamental design for a cooking device, as shown and described.

DESCRIPTION

FIG. 1 is a front perspective view of a cooking device embodying the new design;

FIG. 2 is a rear perspective view of the design shown in FIG. 1;

FIG. 3 is a front view of the design shown in FIG. 1;

FIG. 4 is a rear view of the design shown in FIG. 1;

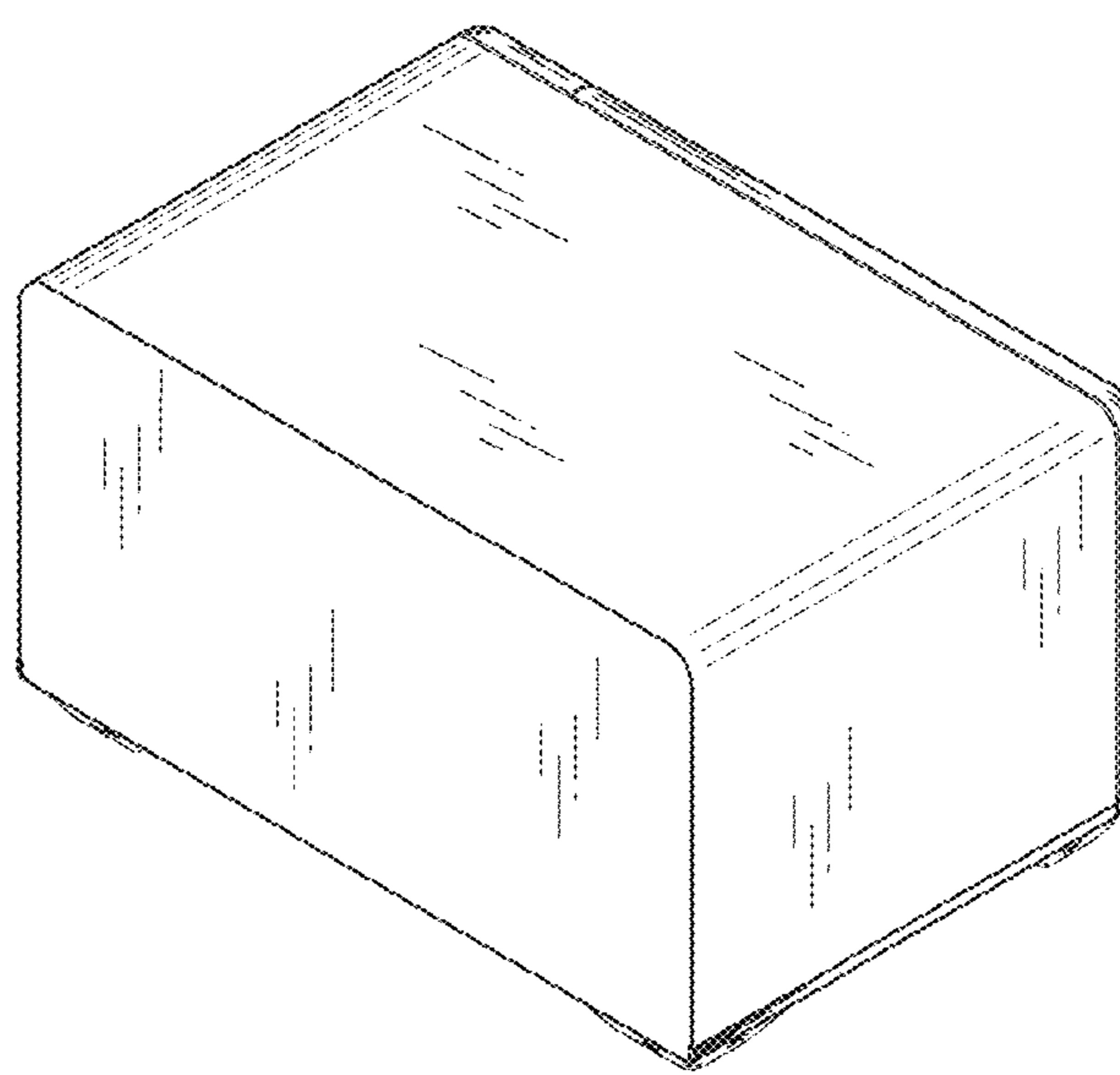
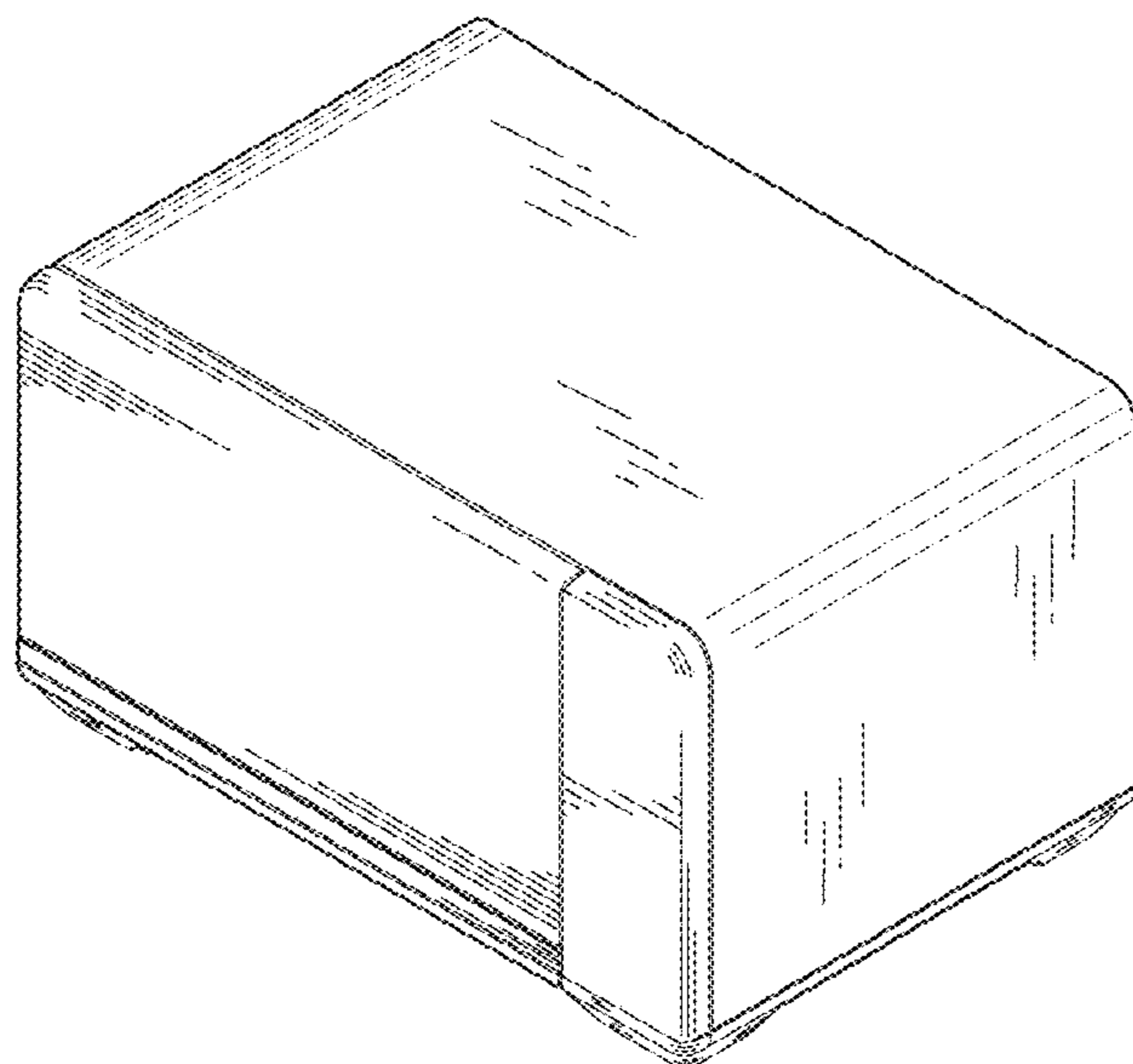
FIG. 5 is a top view of the design shown in FIG. 1;

FIG. 6 is a bottom view of the design shown in FIG. 1;

FIG. 7 is a left side view of the design shown in FIG. 1; and,

FIG. 8 is a right side view of the design shown in FIG. 1.

1 Claim, 8 Drawing Sheets



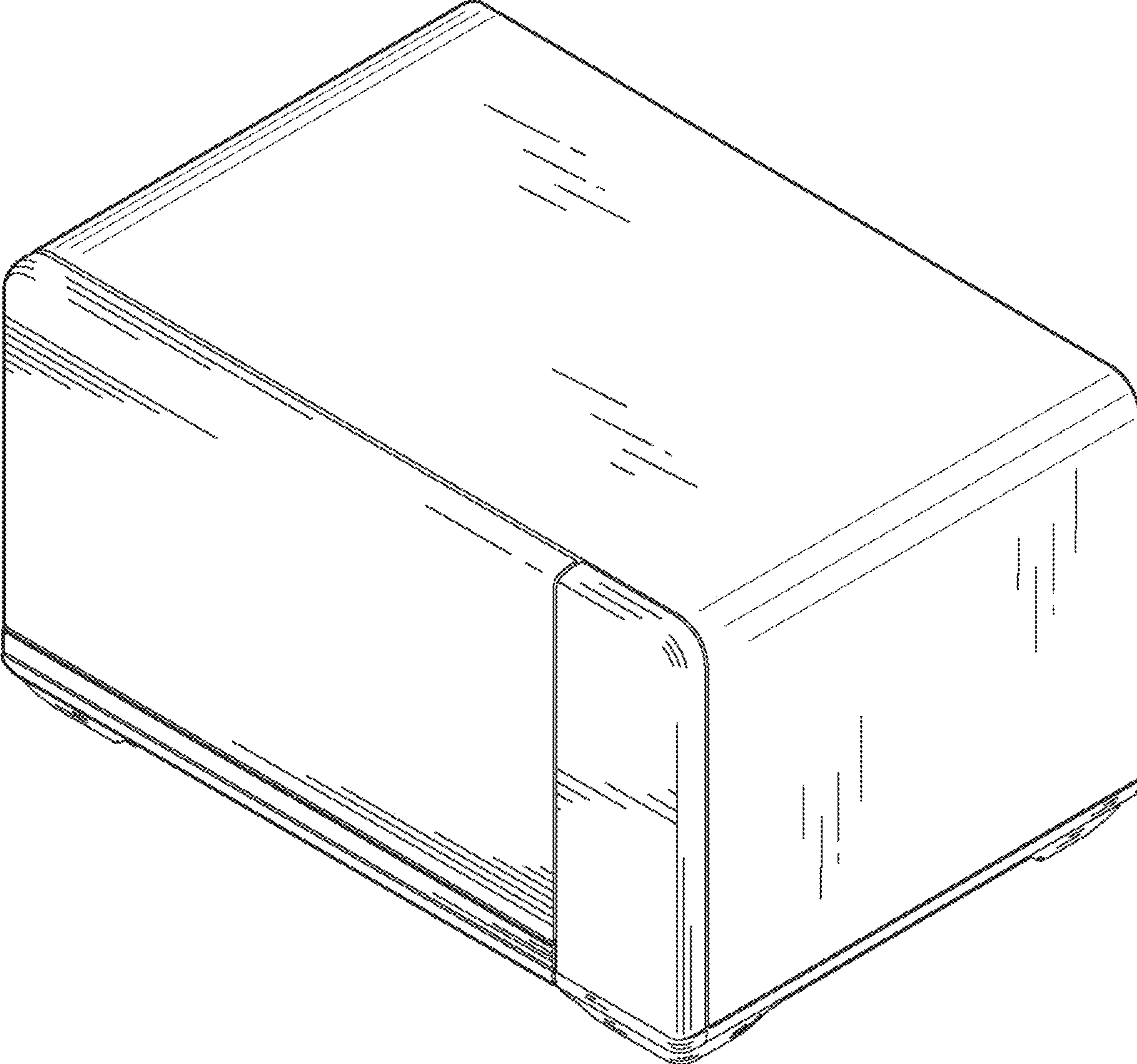


FIG. 1

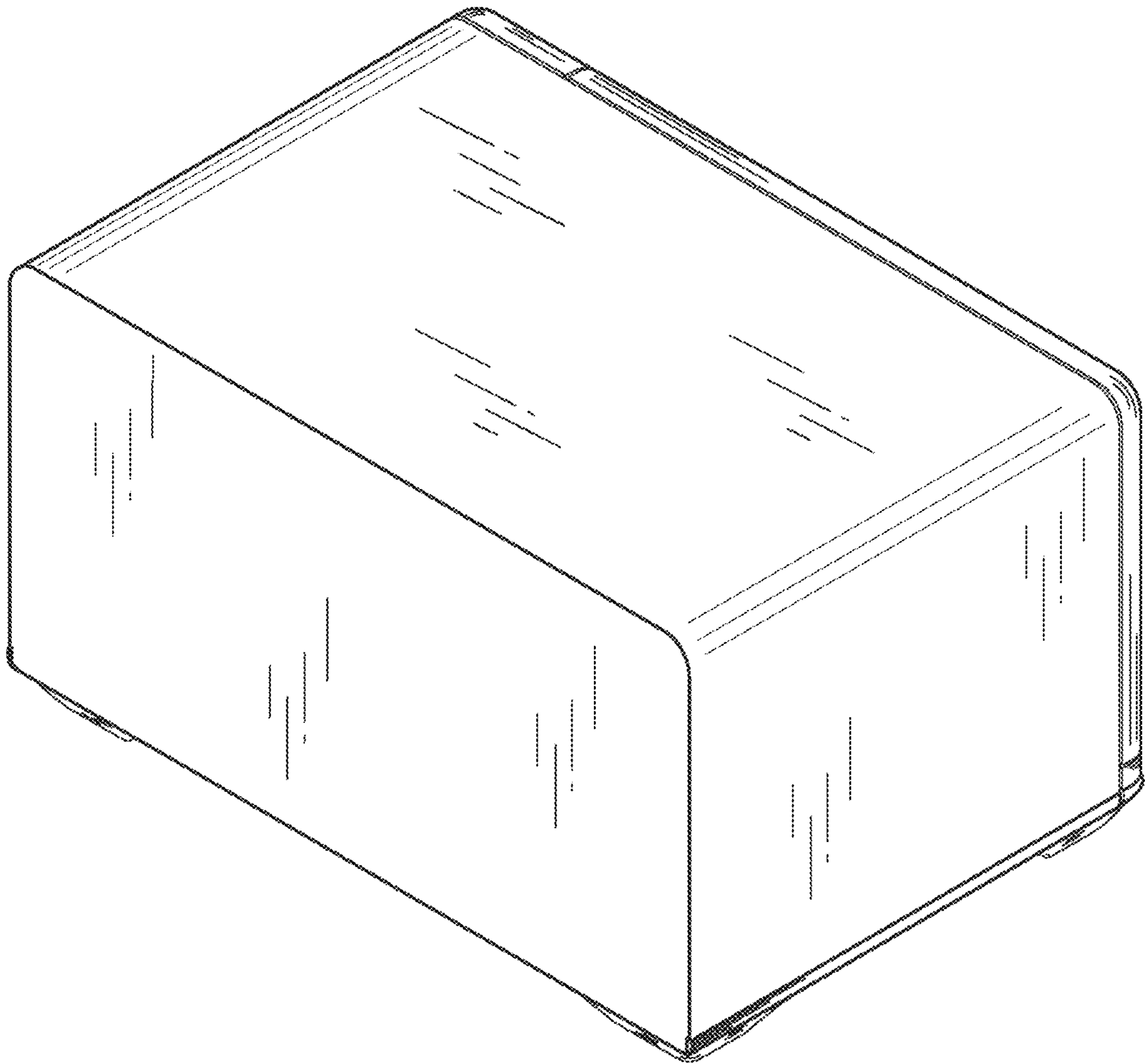


FIG. 2

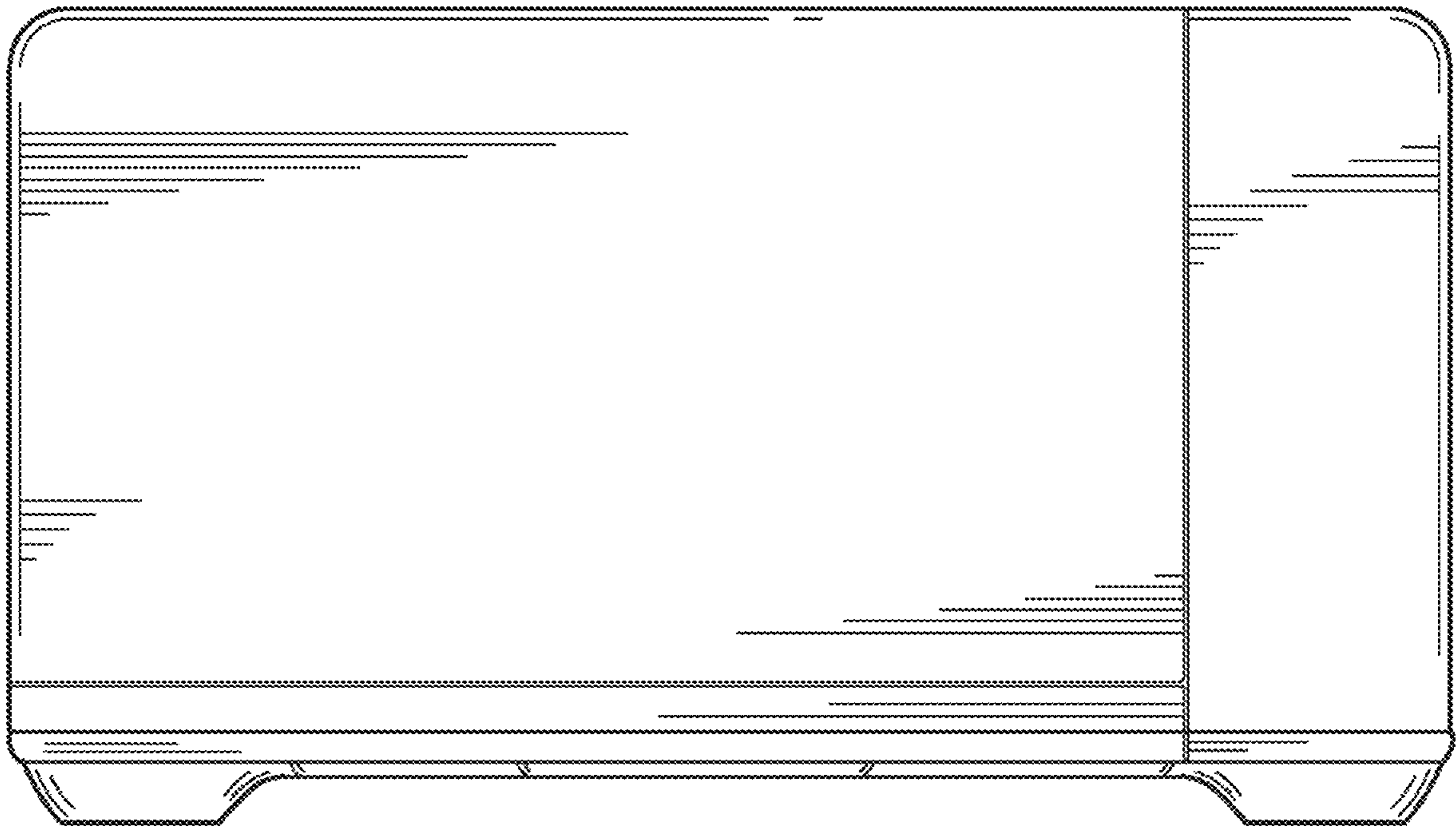


FIG. 3

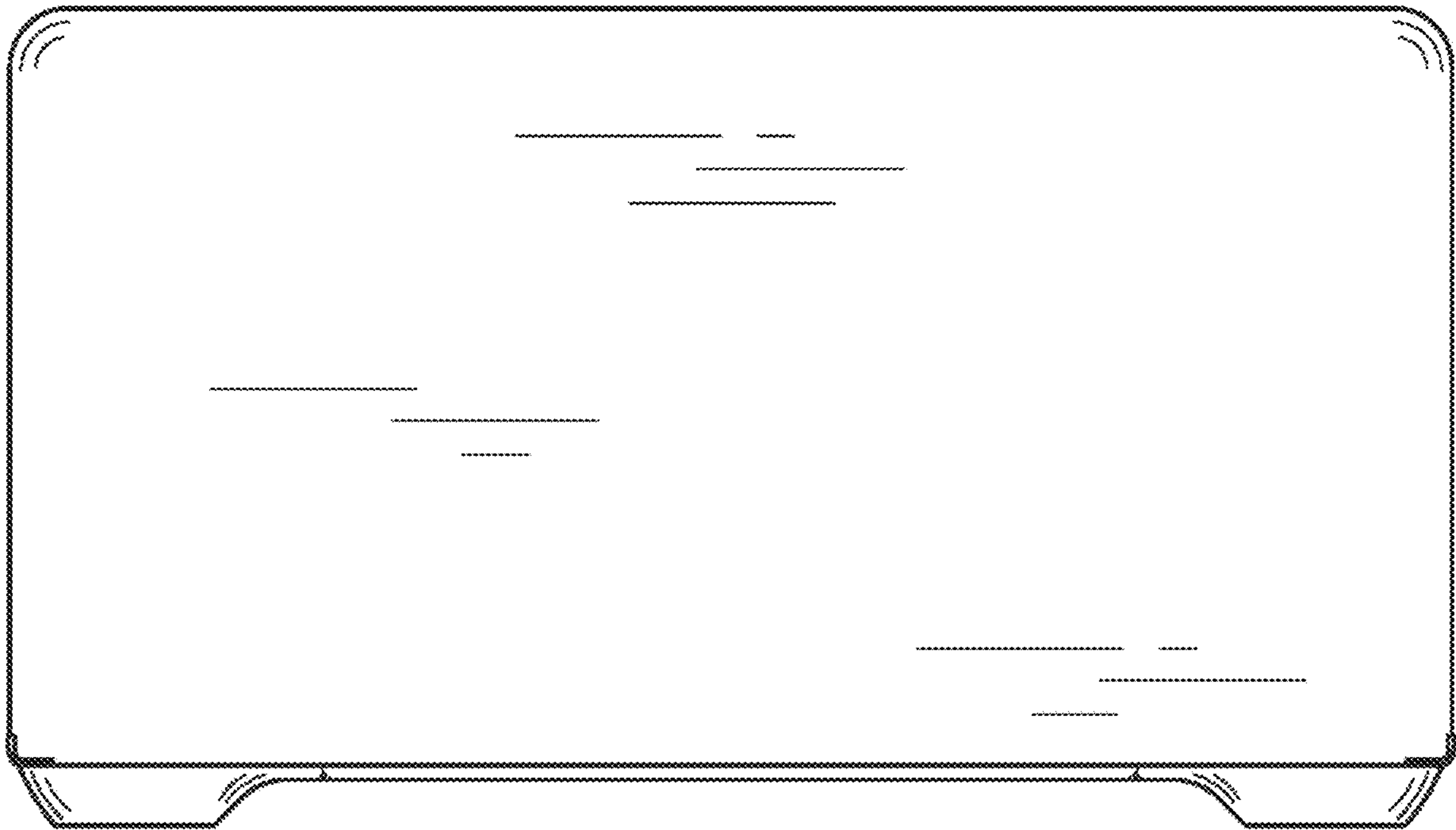


FIG. 4



FIG. 5

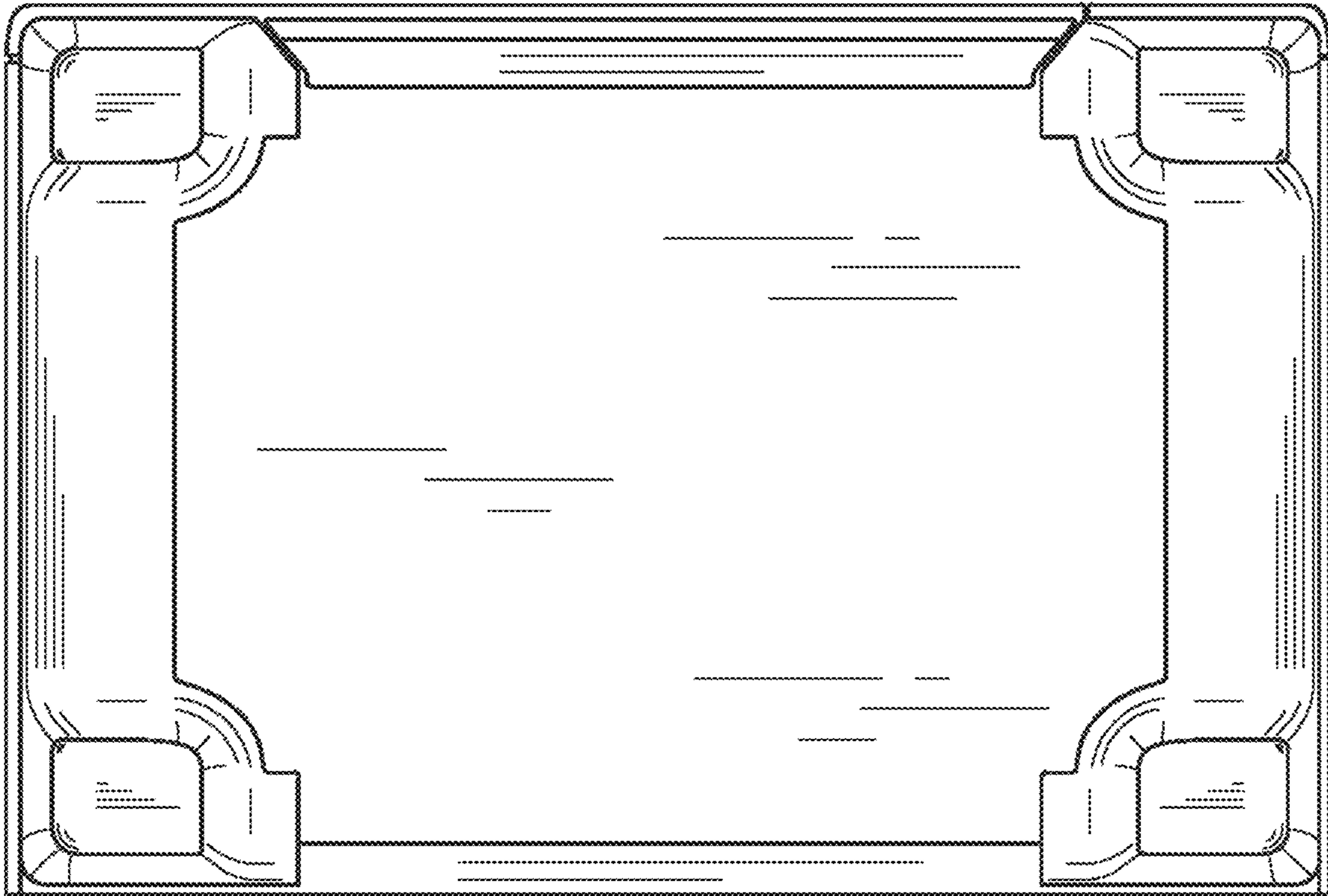


FIG. 6

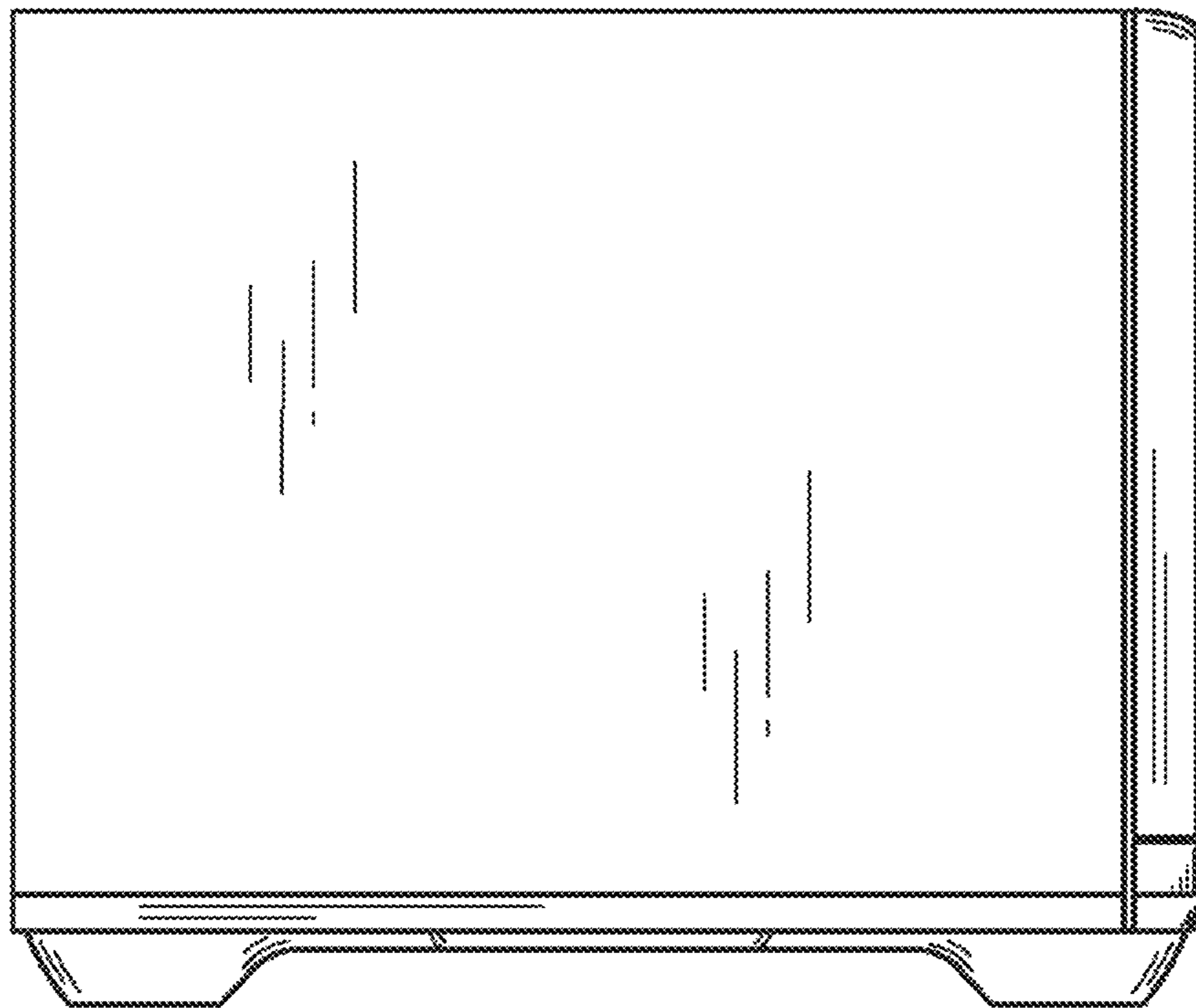


FIG. 7

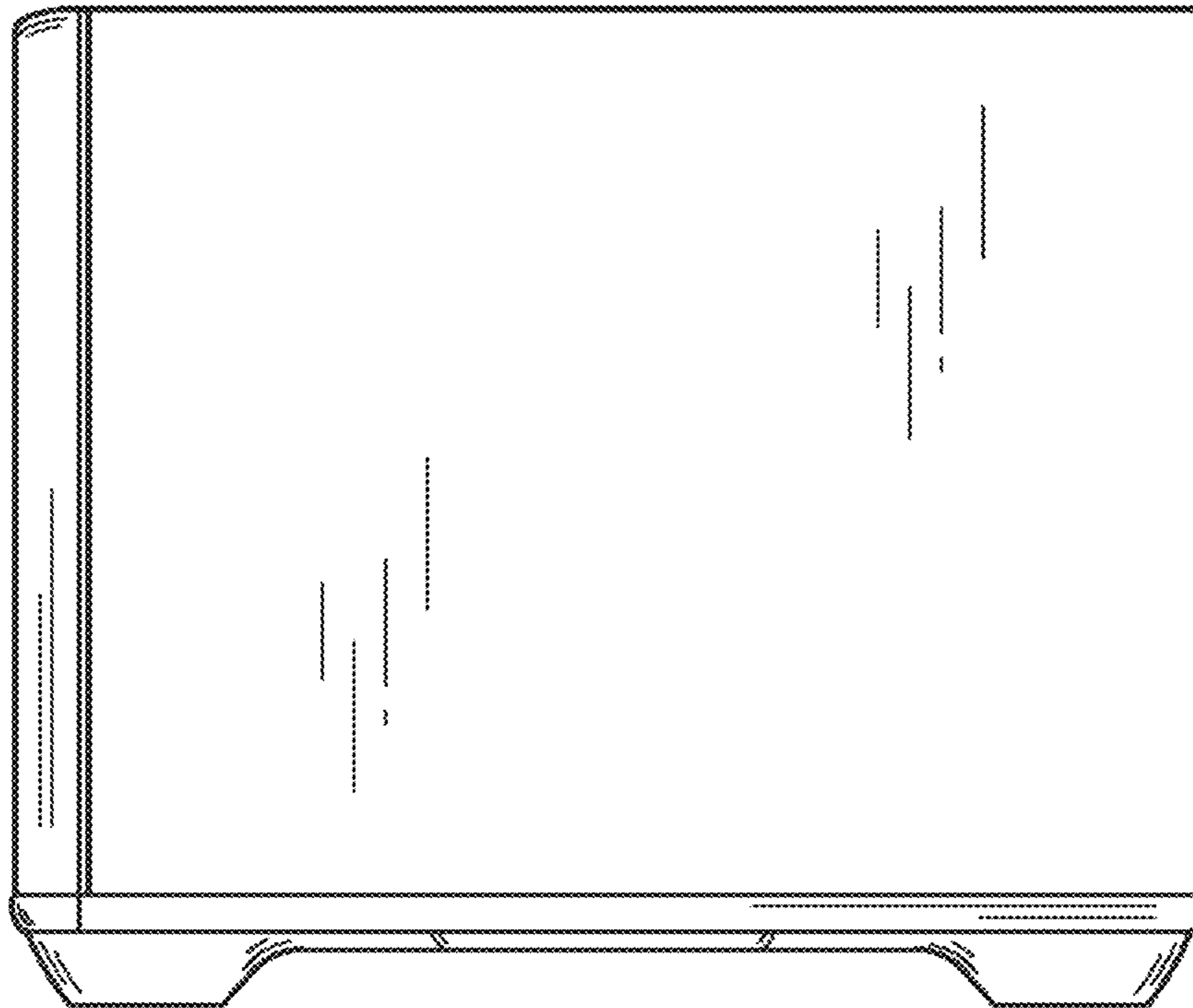


FIG. 8