

US00D893933S

(12) **United States Design Patent**  
**You et al.**

(10) **Patent No.:** **US D893,933 S**

(45) **Date of Patent:** **\*\* Aug. 25, 2020**

(54) **COFFEE MACHINE**

(71) Applicant: **LG ELECTRONICS INC.**, Seoul (KR)

(72) Inventors: **Hyunhee You**, Seoul (KR); **Sungkyung Kim**, Seoul (KR); **Joo-Gyeom Kim**, Seoul (KR); **Kyoungmin Baek**, Seoul (KR); **Woonkyu Seo**, Seoul (KR); **Hyunsun Yoo**, Seoul (KR); **Yousook Eun**, Seoul (KR); **Hyejin Choi**, Seoul (KR)

(73) Assignee: **LG ELECTRONICS INC.**, Seoul (KR)

(\*\*) Term: **15 Years**

(21) Appl. No.: **29/678,161**

(22) Filed: **Jan. 25, 2019**

(51) **LOC (12) Cl.** ..... **07-01**

(52) **U.S. Cl.**

USPC ..... **D7/310**; D7/311; D7/309; D7/399

(58) **Field of Classification Search**

USPC ..... D7/300, 306–308, 309–311, 305, 355, D7/362, 365, 367, 397, 399; 222/146.6, 222/185.1, 135; 99/295, 323.1

CPC ..... A47J 31/02; A47J 31/407; A47J 31/18; A47J 31/061; A47J 31/4403; A47J 31/057; A47J 31/46; B67D 1/0869; B67D 1/0036

See application file for complete search history.

(56) **References Cited**

**U.S. PATENT DOCUMENTS**

- D220,579 S \* 4/1971 Wickenberg ..... D7/309
- 3,592,125 A \* 7/1971 Tolmie ..... A47J 31/0573  
99/307
- D240,386 S \* 7/1976 Stuetzer ..... D7/309
- D243,141 S \* 1/1977 Mantelet ..... D7/309

- D289,726 S \* 5/1987 Greutert ..... D7/310
- D307,224 S \* 4/1990 Mizukami ..... D7/619.1
- D440,458 S \* 4/2001 Ohu ..... D7/300
- D552,402 S \* 10/2007 Schwamkrug ..... D7/309
- D688,081 S \* 8/2013 Warburton ..... D7/306
- D690,992 S \* 10/2013 Ball ..... D7/399
- D712,188 S \* 9/2014 Averty ..... D7/309
- D718,383 S \* 11/2014 Lo ..... D18/55
- D718,972 S \* 12/2014 Jorgensen ..... D7/309
- D761,051 S \* 7/2016 Bartoli ..... D7/309
- D763,613 S \* 8/2016 Han ..... D7/306
- D763,614 S \* 8/2016 Han ..... D7/306
- D769,672 S \* 10/2016 Gallagher ..... D7/397
- D775,890 S \* 1/2017 Gallagher ..... D7/397
- D793,791 S \* 8/2017 McDonald ..... D7/306
- D794,375 S \* 8/2017 Fukushima ..... D7/309
- D796,886 S \* 9/2017 Mangold ..... D7/309
- D800,487 S \* 10/2017 Chawla ..... D7/306
- D812,383 S \* 3/2018 Kwiatkowski ..... D6/300
- D813,598 S \* 3/2018 Gallagher ..... D7/397
- D813,599 S \* 3/2018 Gallagher ..... D7/397
- D816,383 S \* 5/2018 Liang ..... D7/310
- D834,869 S \* 12/2018 Ljungh ..... D7/306

(Continued)

*Primary Examiner* — Marianne N Pandozzi

(74) *Attorney, Agent, or Firm* — Birch, Stewart, Kolasch & Birch, LLP

(57)

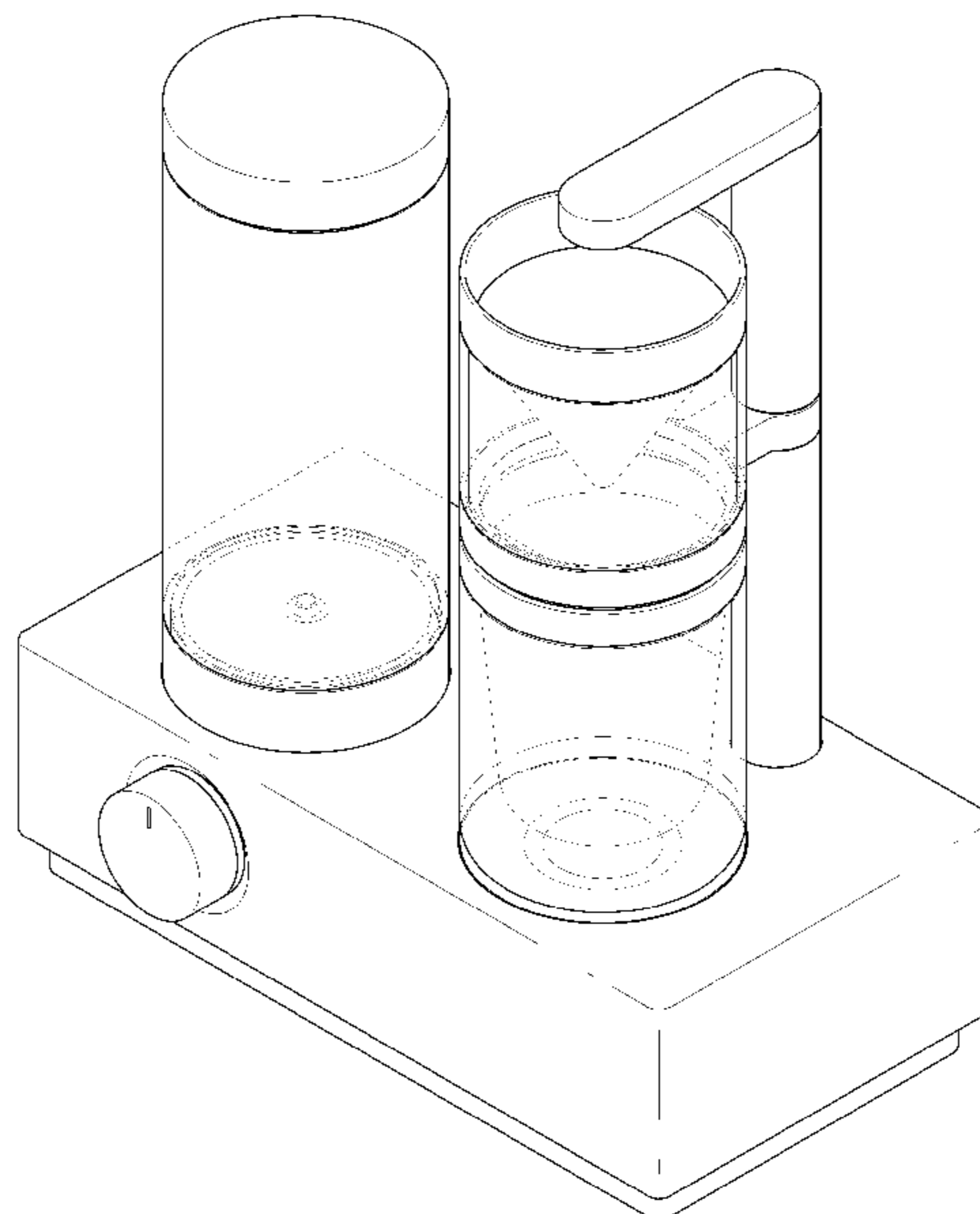
**CLAIM**

The ornamental design for a coffee machine, as shown and described.

**DESCRIPTION**

FIG. 1 is a front, right side, perspective view of a coffee machine showing our new design; FIG. 2 is a front view thereof; FIG. 3 is a rear view thereof; FIG. 4 is a left side view thereof; FIG. 5 is a right side view thereof; FIG. 6 is a top view thereof; and, FIG. 7 is a bottom view.

**1 Claim, 6 Drawing Sheets**



(56)

**References Cited**

U.S. PATENT DOCUMENTS

D837,587 S *	1/2019	Villalovos .....	D7/388
D843,765 S *	3/2019	Fedorak .....	D7/306
D846,329 S *	4/2019	Zimmermann .....	D7/310
D873,597 S *	1/2020	Fisher Wong .....	D7/309
2015/0075387 A1 *	3/2015	Lee .....	A47J 31/46 99/289 R

\* cited by examiner

FIG. 1

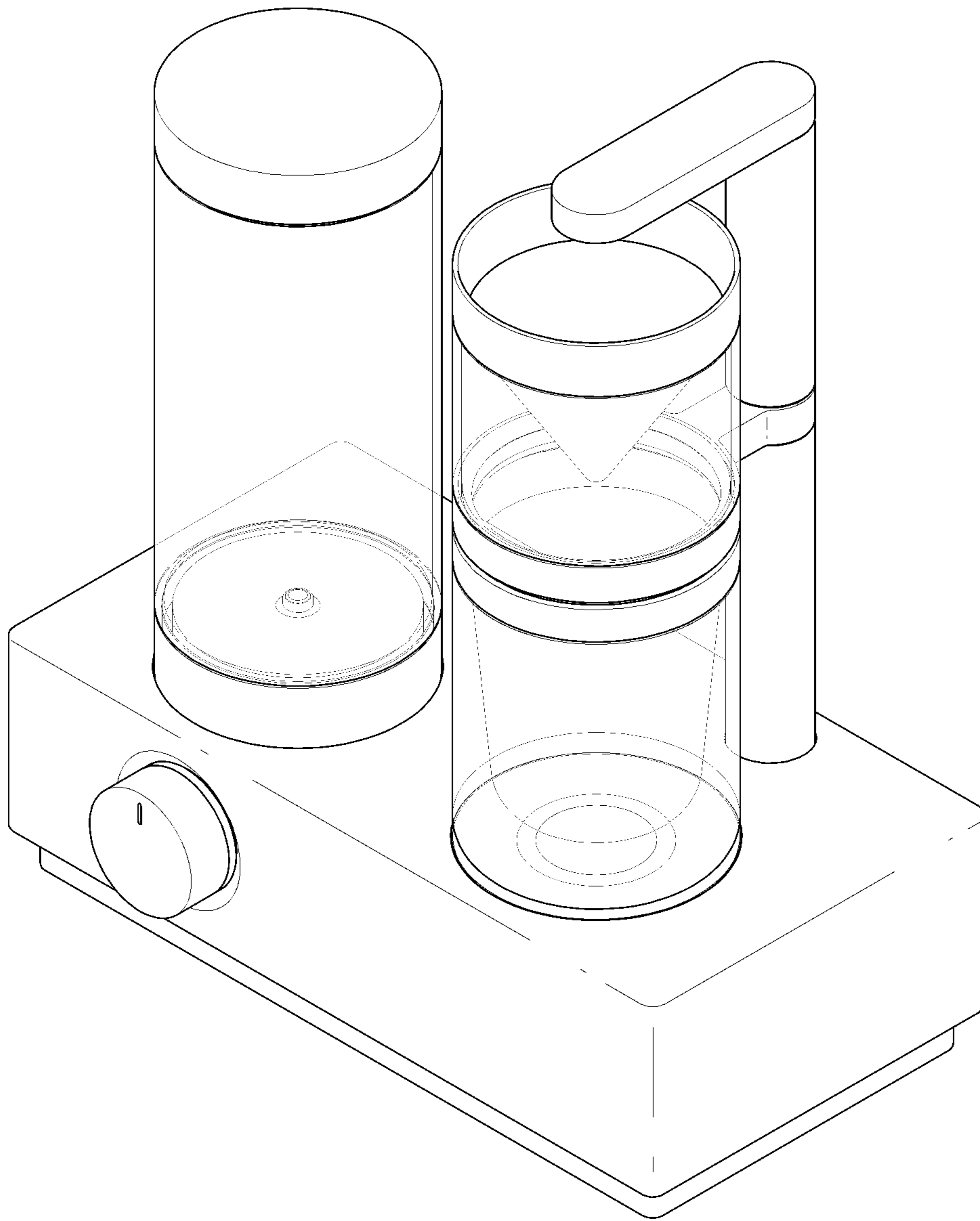


FIG. 2

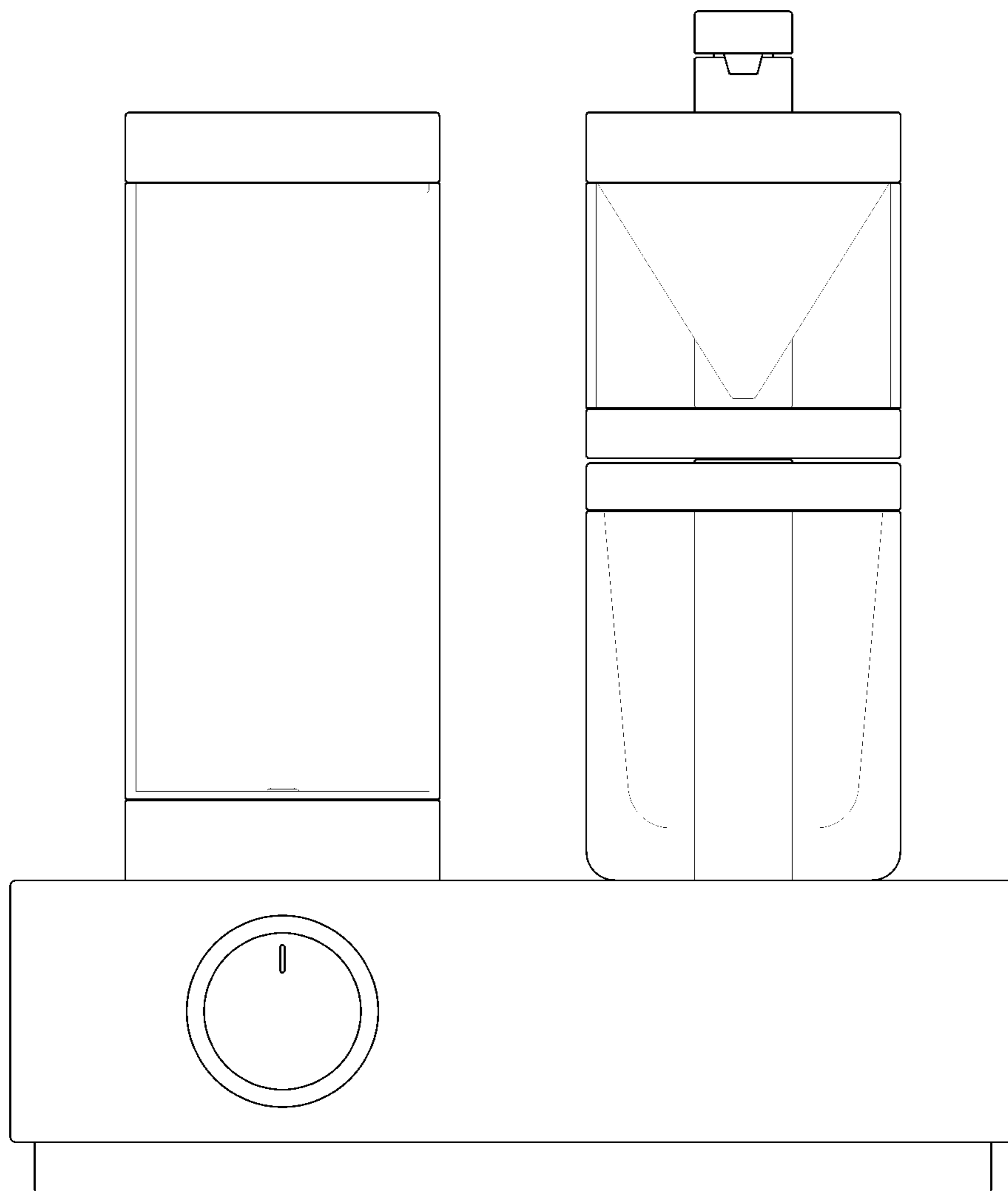


FIG. 3

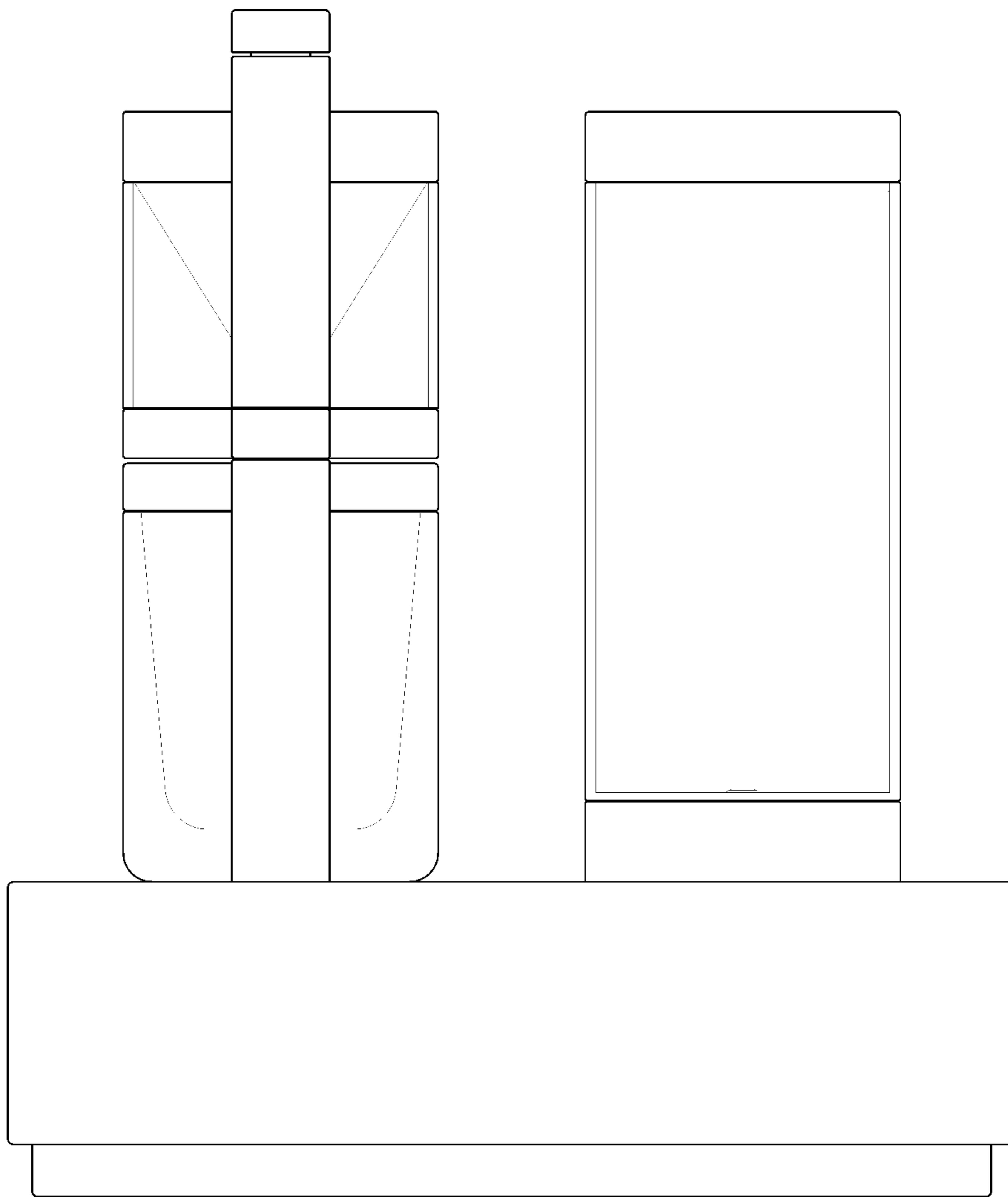


FIG. 4

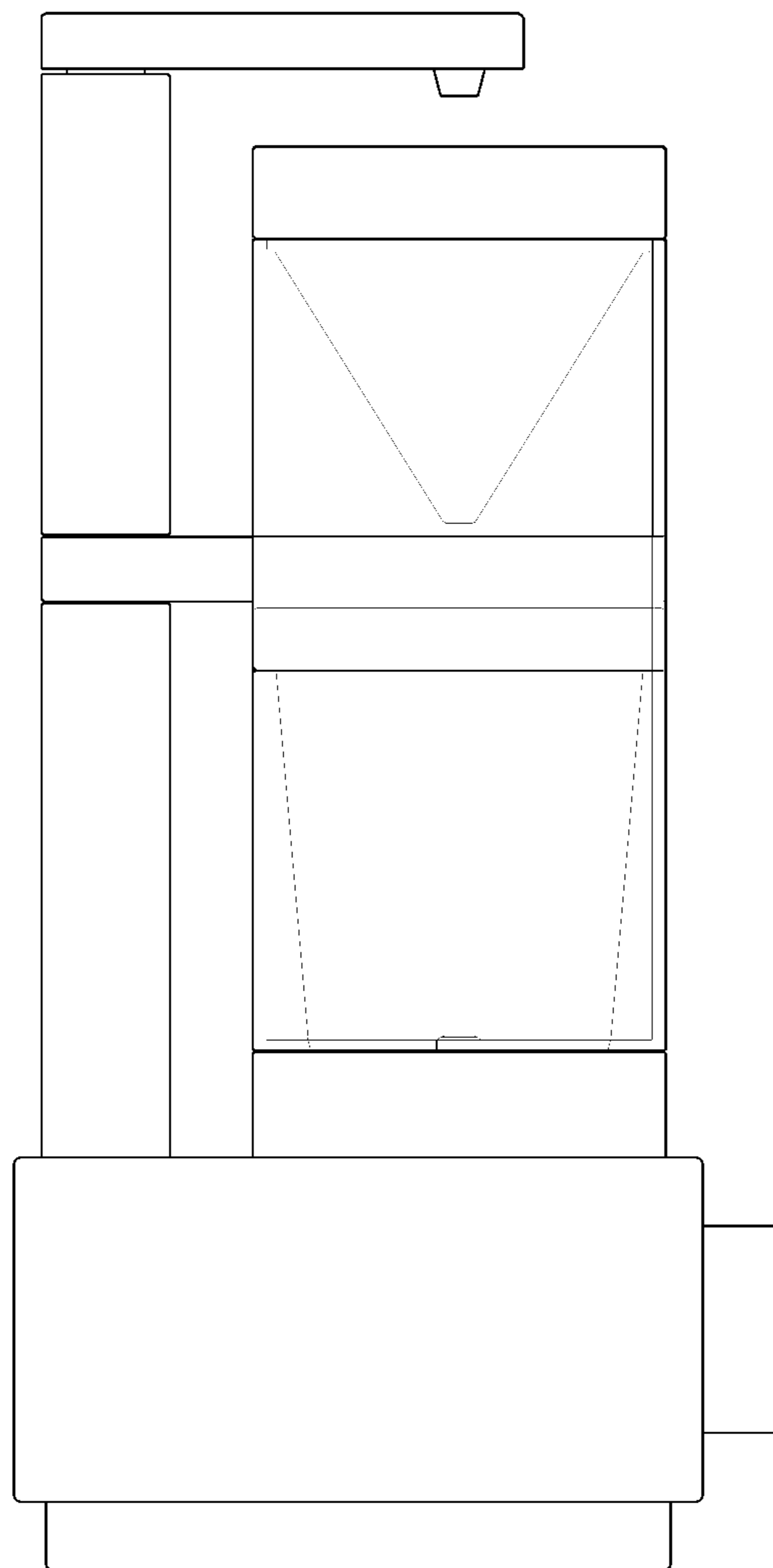


FIG. 5

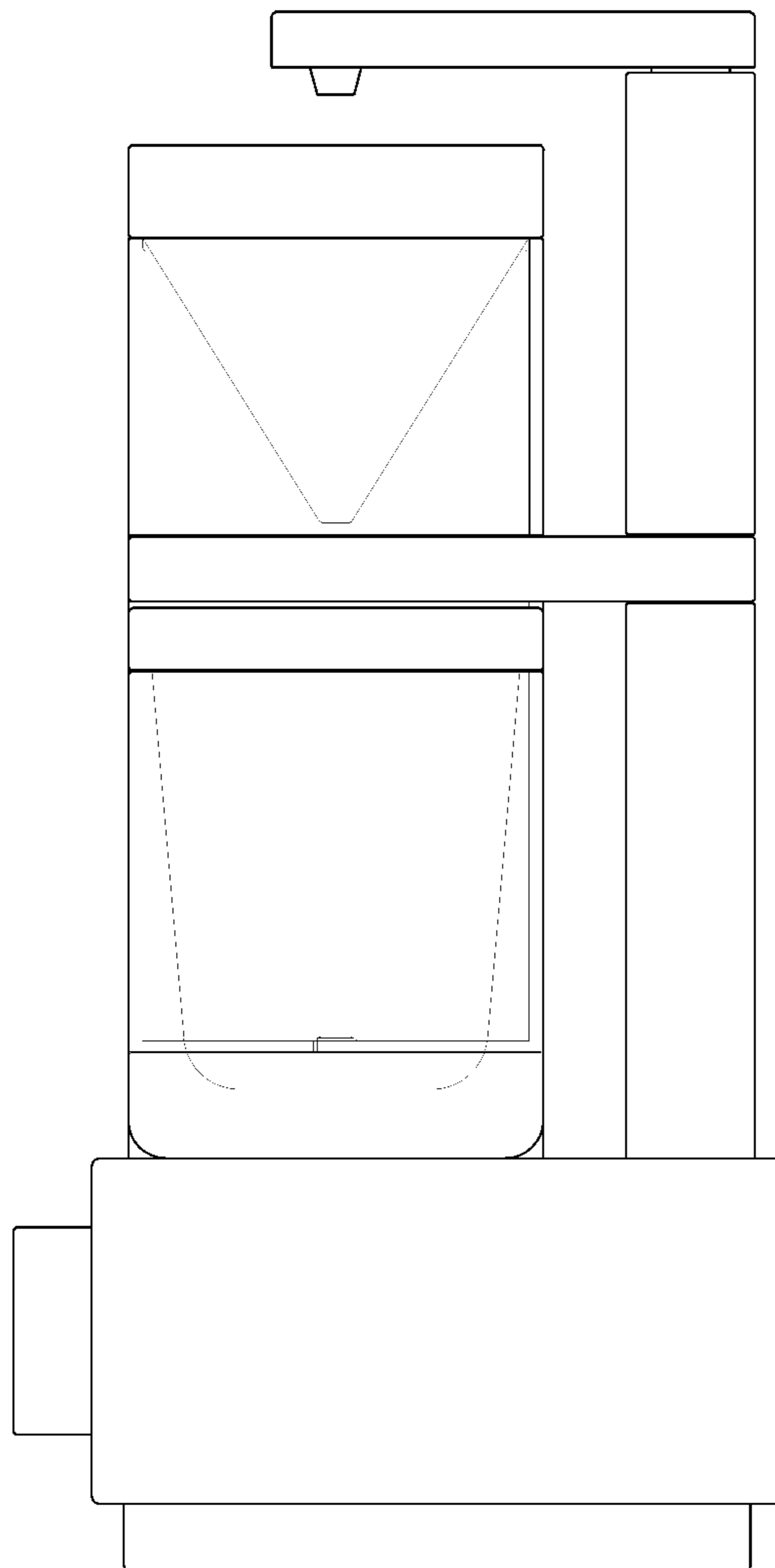


FIG. 6

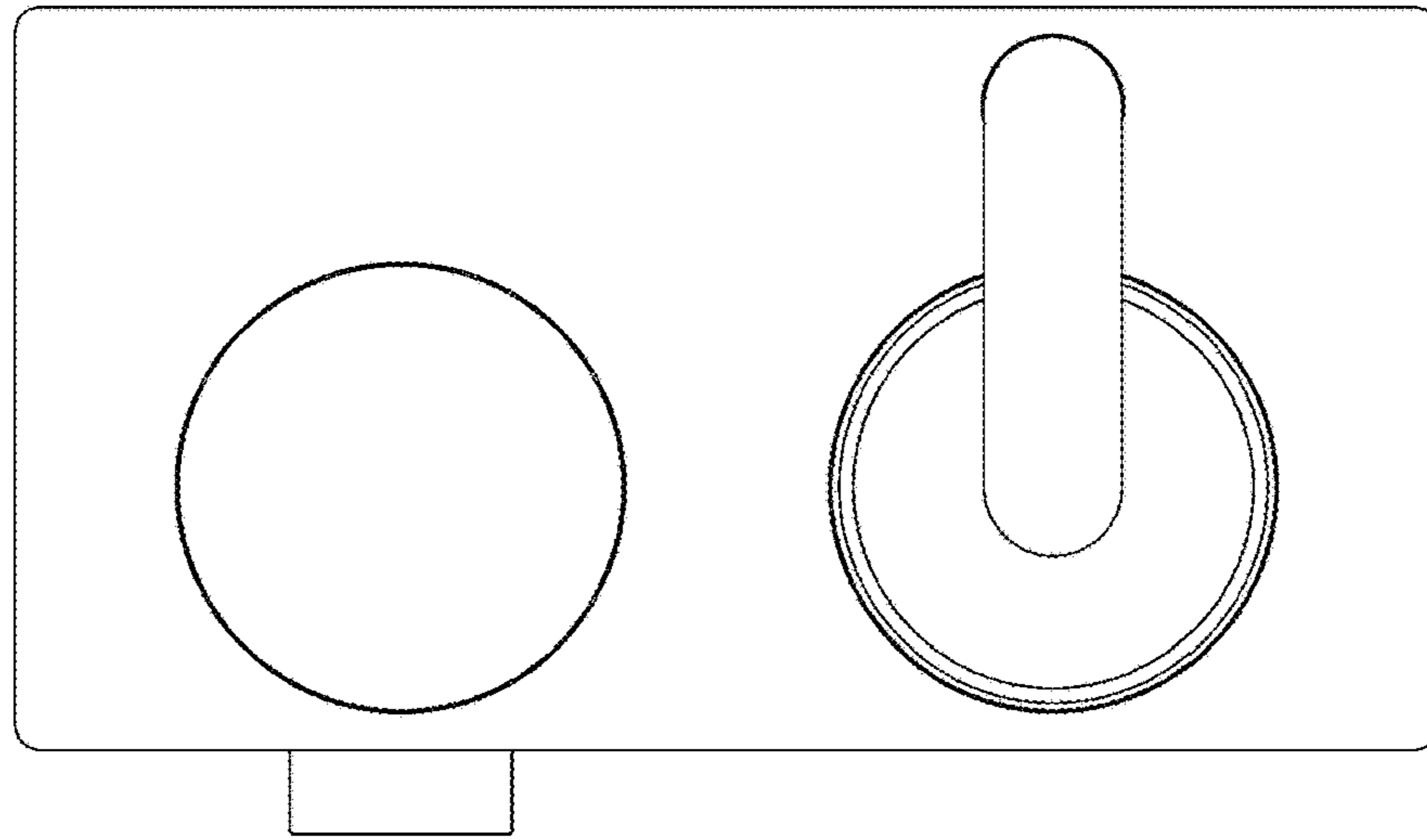


FIG. 7

