



US00D893932S

(12) **United States Design Patent**  
**Rajkiewicz et al.**

(10) **Patent No.:** **US D893,932 S**

(45) **Date of Patent:** **\*\* Aug. 25, 2020**

(54) **STOOL**

(71) Applicant: **AmTab Manufacturing Corporation**,  
Bensenville, IL (US)

(72) Inventors: **Gregory Rajkiewicz**, Elk Grove  
Village, IL (US); **Doss Samikkannu**,  
Des Plaines, IL (US); **Jeremias C.**  
**Rivera, Jr.**, Elmhurst, IL (US)

(73) Assignee: **AMTAB MANUFACTURING**  
**CORPORATION**, Bensenville, IL (US)

(\*\*) Term: **15 Years**

(21) Appl. No.: **29/696,655**

(22) Filed: **Jun. 28, 2019**

**Related U.S. Application Data**

(62) Division of application No. 29/619,699, filed on Sep.  
29, 2017, now Pat. No. Des. 856,727.

(51) **LOC (12) Cl.** ..... **06-01**

(52) **U.S. Cl.**  
USPC ..... **D6/716.1; D6/349**

(58) **Field of Classification Search**  
USPC ..... D6/334, 349–353, 355, 364–365,  
D6/691–691.9, 692–692.6, 709, 710,  
D6/716–716.1, 716.5, 719; D25/65  
(Continued)

(56) **References Cited**

**U.S. PATENT DOCUMENTS**

D243,909 S \* 4/1977 Gabourie ..... D6/364  
4,389,946 A \* 6/1983 Hwang ..... A47B 3/12  
108/115

(Continued)

*Primary Examiner* — Vy N Koenig

(74) *Attorney, Agent, or Firm* — Barnes & Thornburg  
LLP

(57) **CLAIM**

We claim the ornamental design for a stool, as shown and  
described.

**DESCRIPTION**

FIG. 1 is a top perspective view of the first and second stool  
embodiments of the invention.

FIG. 2 is a bottom perspective view of the first embodiment  
of the invention.

FIG. 3 is a front elevation view of the first and second  
embodiments of the invention.

FIG. 4 is a back elevation view of the first and second  
embodiments of the invention.

FIG. 5 is a right side elevation view of the first and second  
embodiments of the invention.

FIG. 6 is a left side elevation view of the first and second  
embodiments of the invention.

FIG. 7 is a top plan view of the first, second and third stool  
embodiments of the invention.

FIG. 8 is a bottom plan view of the first embodiment of the  
invention.

FIG. 9 is a bottom perspective view of the second embodi-  
ment of the invention.

FIG. 10 is a bottom plan view of the second embodiment of  
the invention.

FIG. 11 is a top perspective view of the third embodiment of  
the invention.

FIG. 12 is a bottom perspective view of the third embodi-  
ment of the invention.

FIG. 13 is a front elevation view of the third embodiment of  
the invention.

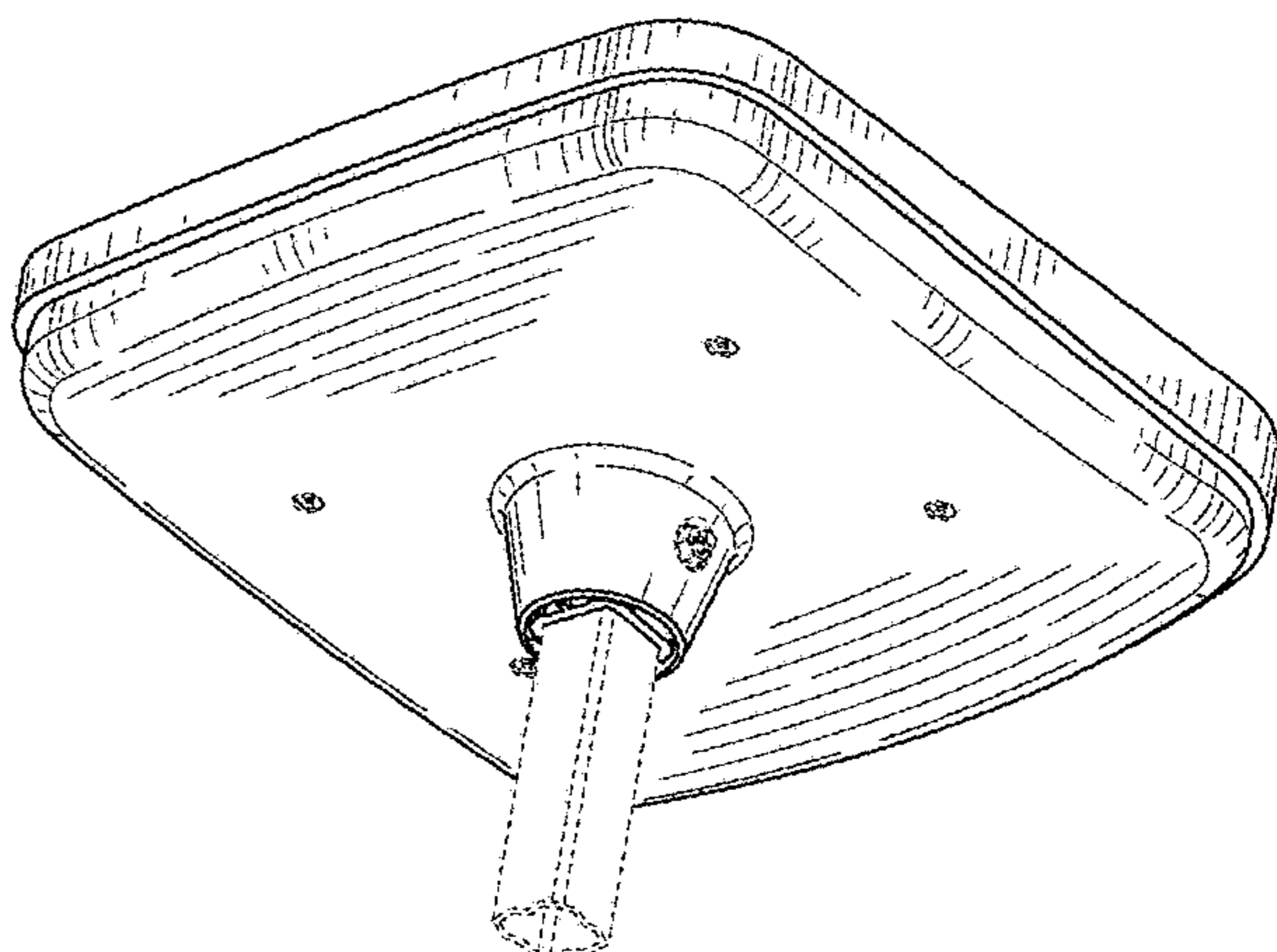
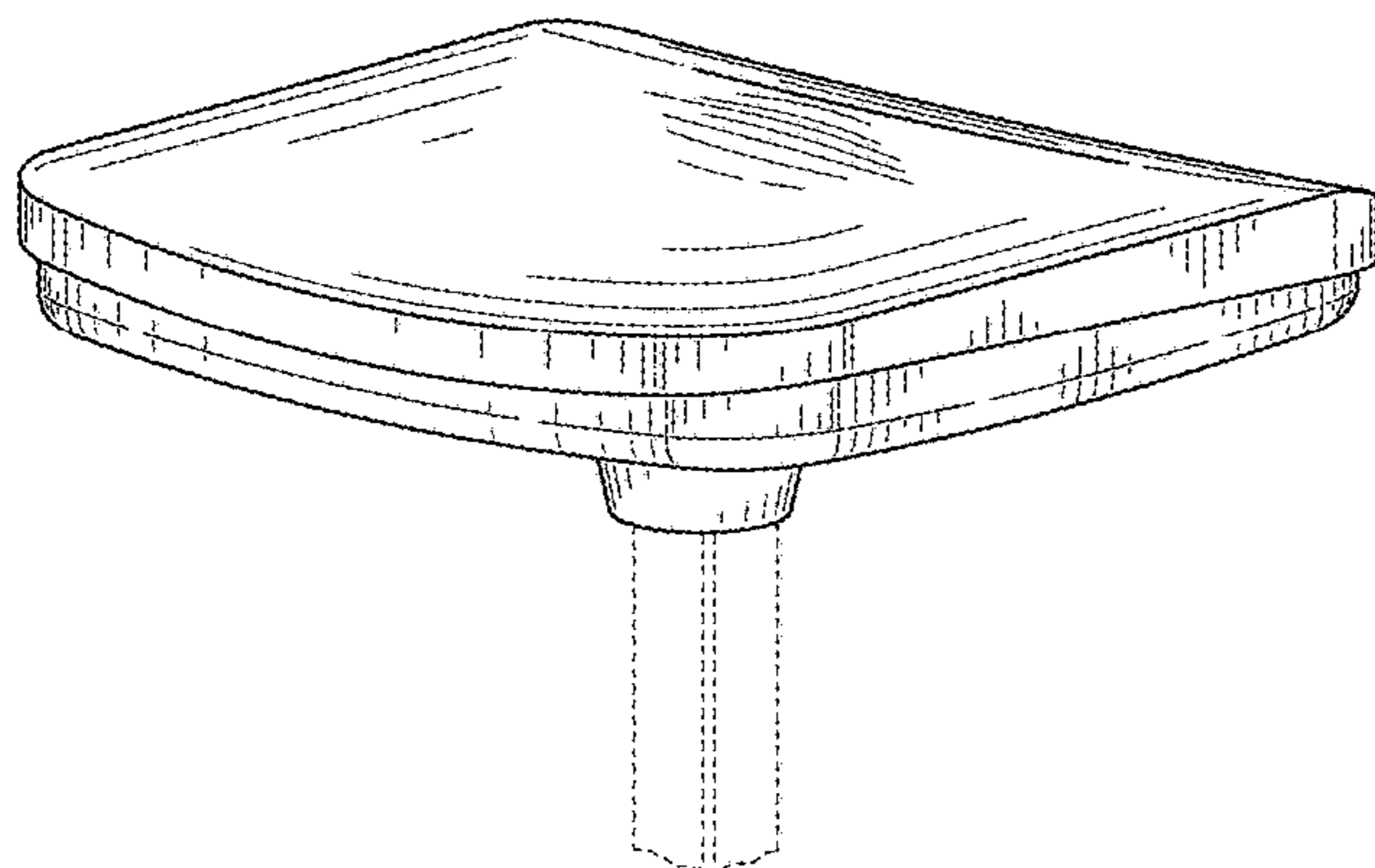
FIG. 14 is a back elevation view of the third embodiment of  
the invention.

FIG. 15 is a right side elevation view of the third embodi-  
ment of the invention, the left side elevation view being a  
mirror image; and,

FIG. 16 is a bottom plan view of the third embodiment of the  
invention.

The dashed lines depict environment only that forms no part  
of the claimed design.

**1 Claim, 12 Drawing Sheets**



- (58) **Field of Classification Search**  
 CPC ..... A47B 7/00-02; A47C 11/00; A47C 12/00;  
 A47C 13/00; A47C 16/00; A47C  
 16/02-04; A47C 9/00-105; A47K 17/02;  
 A47K 17/028  
 See application file for complete search history.

(56) **References Cited**

U.S. PATENT DOCUMENTS

D355,077 S \* 2/1995 Tegner ..... D30/118  
 5,634,223 A \* 6/1997 Obermaier ..... A47C 7/021  
 297/452.41  
 D439,452 S \* 3/2001 Turner ..... D6/716.1  
 D440,058 S \* 4/2001 Owens ..... D6/349  
 D478,732 S \* 8/2003 Pajerski ..... D6/337  
 D485,455 S \* 1/2004 Petruccelli ..... D6/364  
 D495,908 S \* 9/2004 Wu ..... D6/360  
 D496,813 S \* 10/2004 Nakajima ..... D6/349  
 6,834,916 B2 \* 12/2004 Volkman ..... A47C 3/029  
 297/270.1  
 D521,283 S \* 5/2006 Glass ..... D6/716.1  
 D583,595 S \* 12/2008 Knowles ..... D6/366  
 D595,969 S \* 7/2009 Hanusiak ..... D6/349  
 D660,136 S \* 5/2012 Jarowenko ..... D8/374  
 8,181,583 B2 \* 5/2012 Rivera, Jr. .... A47B 3/14  
 108/168  
 8,205,937 B2 \* 6/2012 Rivera, Jr. .... A47B 3/14  
 108/169  
 D681,357 S \* 5/2013 Sjostrand ..... D6/349  
 8,479,667 B2 \* 7/2013 Rivera, Jr. .... A47B 3/14  
 108/169

D701,410 S \* 3/2014 Smith ..... D6/716.1  
 D710,641 S \* 8/2014 Petruccelli ..... D6/716  
 D711,675 S \* 8/2014 Sato ..... D6/349  
 D713,664 S \* 9/2014 Vetter ..... D6/716  
 D725,923 S \* 4/2015 Kaye ..... D6/349  
 D725,924 S \* 4/2015 Kaye ..... D6/349  
 D725,925 S \* 4/2015 Kaye ..... D6/349  
 D729,531 S \* 5/2015 Veatch ..... D6/349  
 D746,073 S \* 12/2015 Elmaleh ..... D6/349  
 D746,622 S \* 1/2016 O'Brien ..... D21/823  
 D748,421 S \* 2/2016 Warner ..... D6/349  
 D763,029 S \* 8/2016 Dickey ..... D6/708.17  
 D789,723 S \* 6/2017 Walser ..... D6/716.1  
 D790,238 S \* 6/2017 Little ..... D6/349  
 D795,621 S \* 8/2017 Ono ..... D6/360  
 D796,884 S \* 9/2017 Dickey ..... D6/716.1  
 D802,945 S \* 11/2017 Rivera, Jr. .... D6/337  
 D806,414 S \* 1/2018 Elmaleh ..... D6/352  
 D808,183 S \* 1/2018 Ono ..... D6/353  
 D808,674 S \* 1/2018 Handler ..... D6/352  
 D815,442 S \* 4/2018 Harmon ..... D6/349  
 D823,624 S \* 7/2018 Elmaleh ..... D6/716  
 D856,727 S \* 8/2019 Rajkiewicz ..... D6/716.1  
 D864,642 S \* 10/2019 Hotchkiss ..... D6/716.1  
 D865,387 S \* 11/2019 Handler ..... D6/352  
 2005/0161984 A1 \* 7/2005 Bue ..... A47B 3/087  
 297/158.4  
 2010/0052398 A1 \* 3/2010 Hanusiak ..... A47C 9/10  
 297/451.4  
 2016/0302576 A1 \* 10/2016 Dickey ..... A47B 83/021  
 2019/0098999 A1 \* 4/2019 Rajkiewicz ..... A47C 7/004

\* cited by examiner



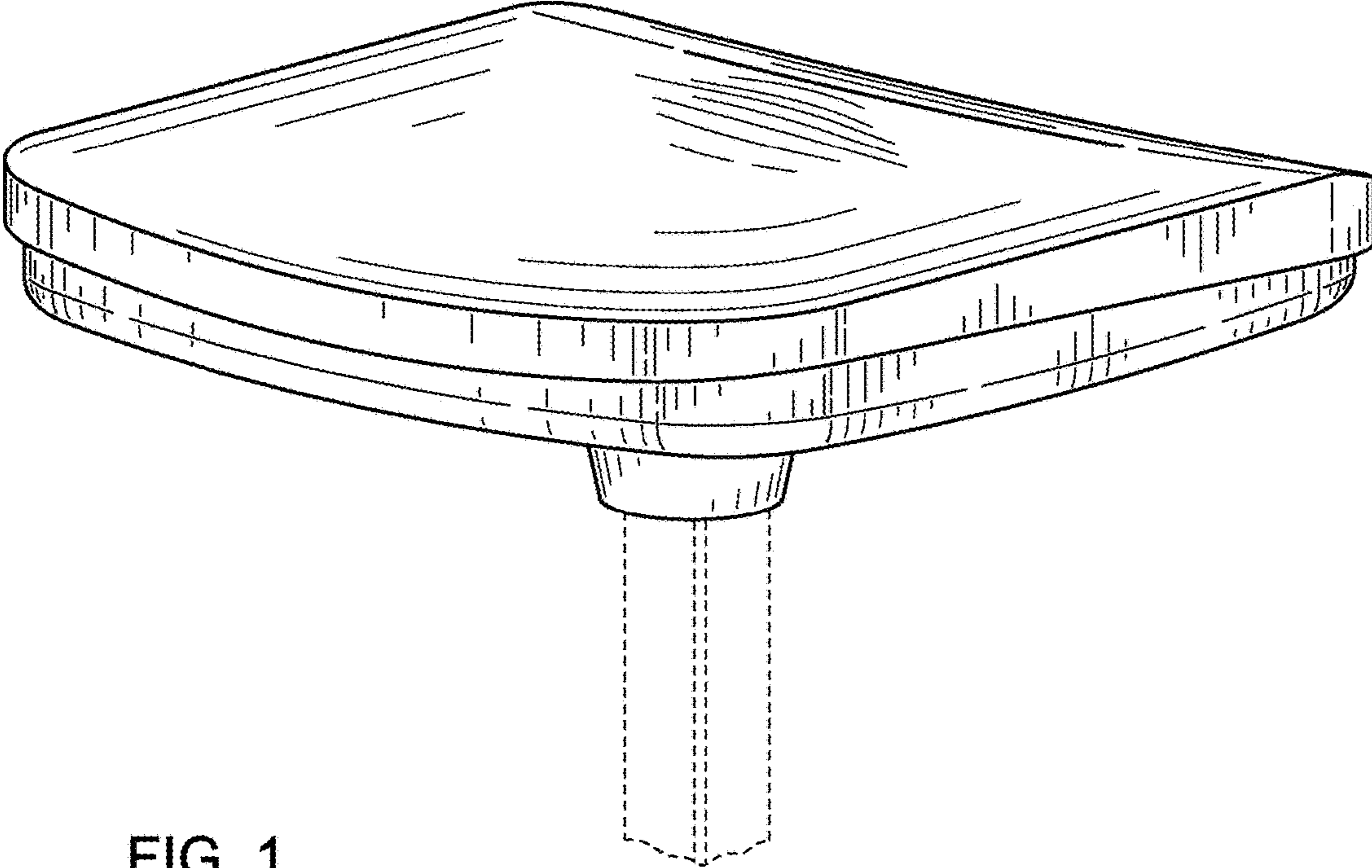


FIG. 1

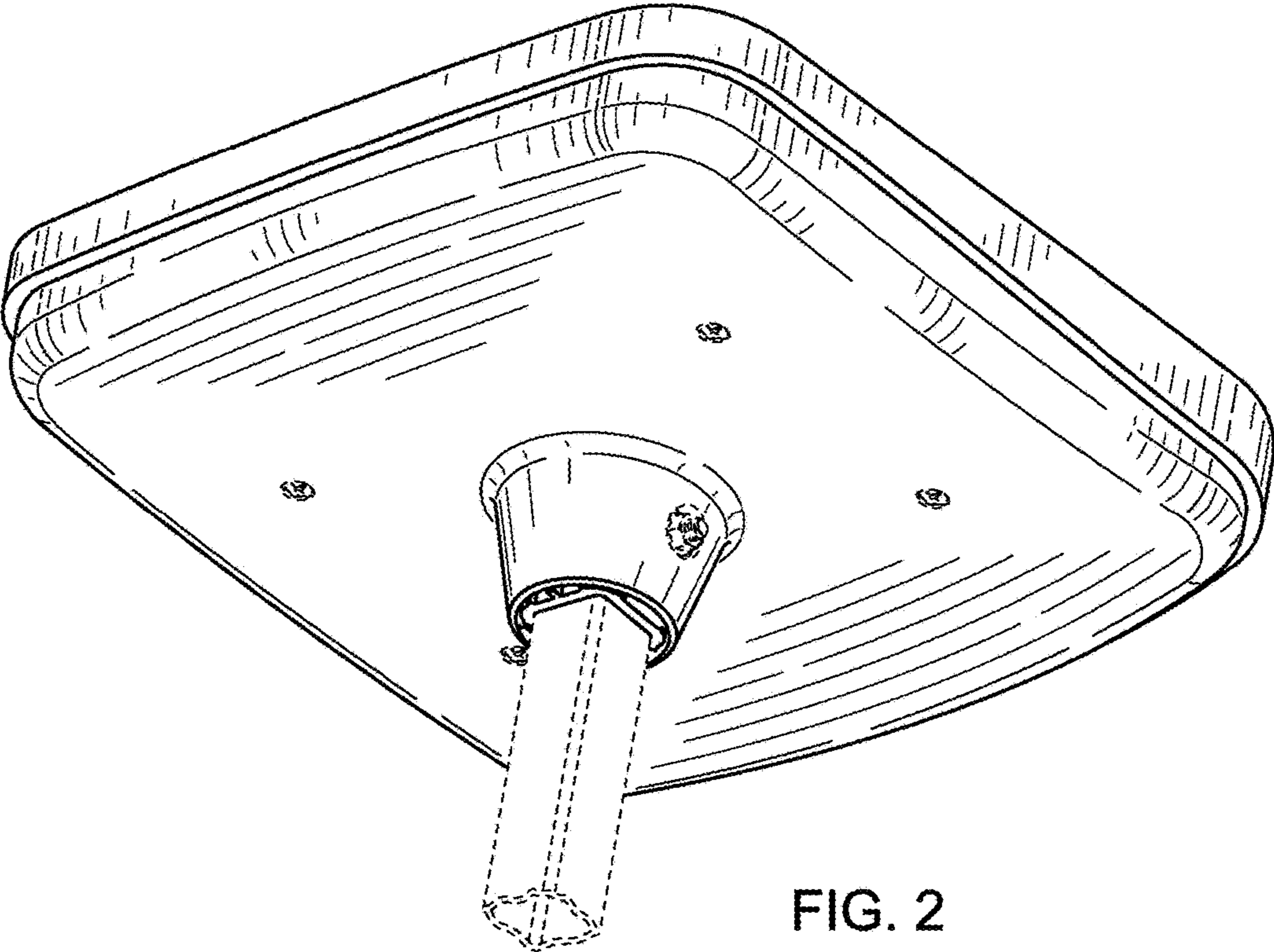


FIG. 2

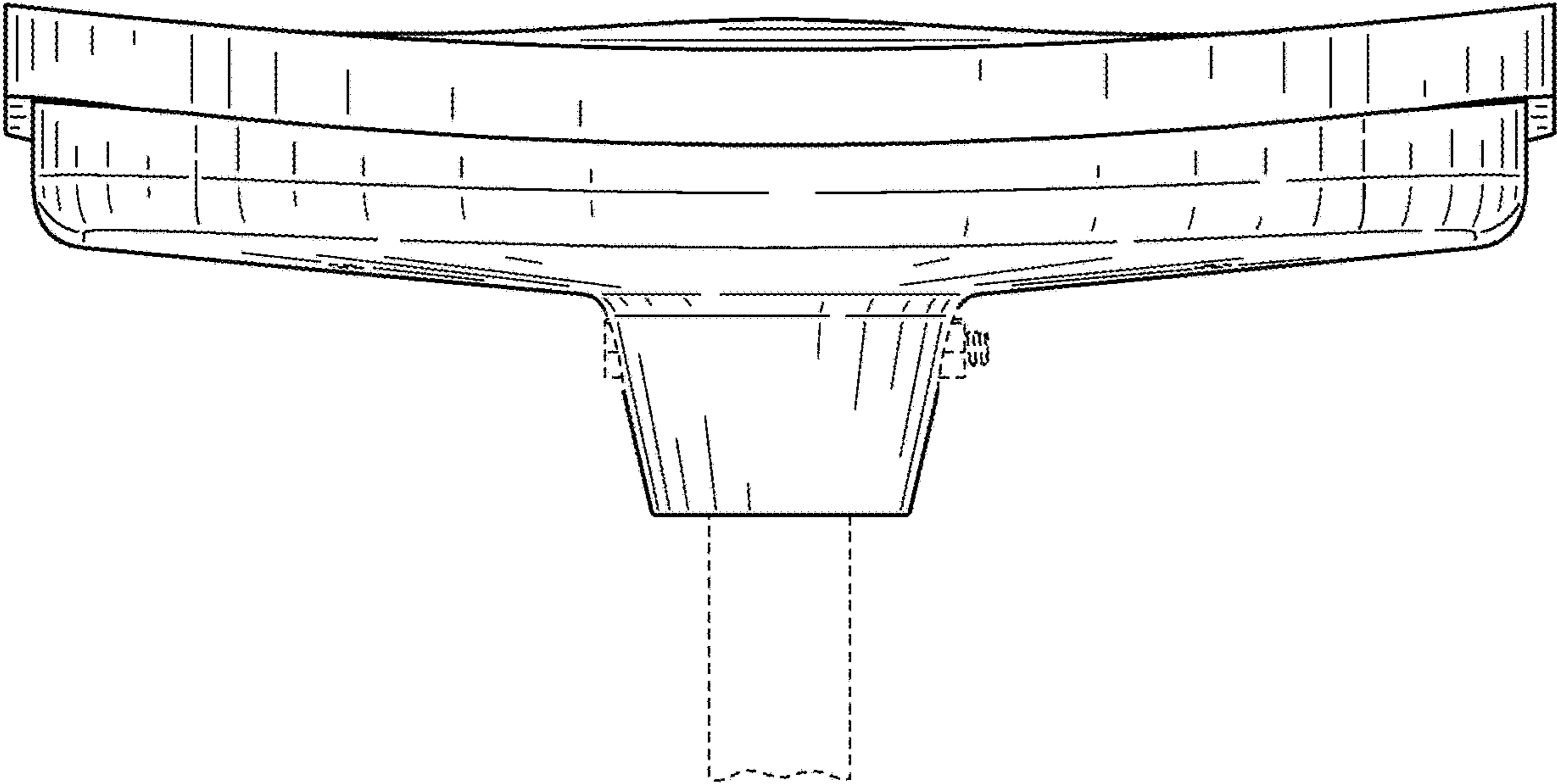


FIG. 3

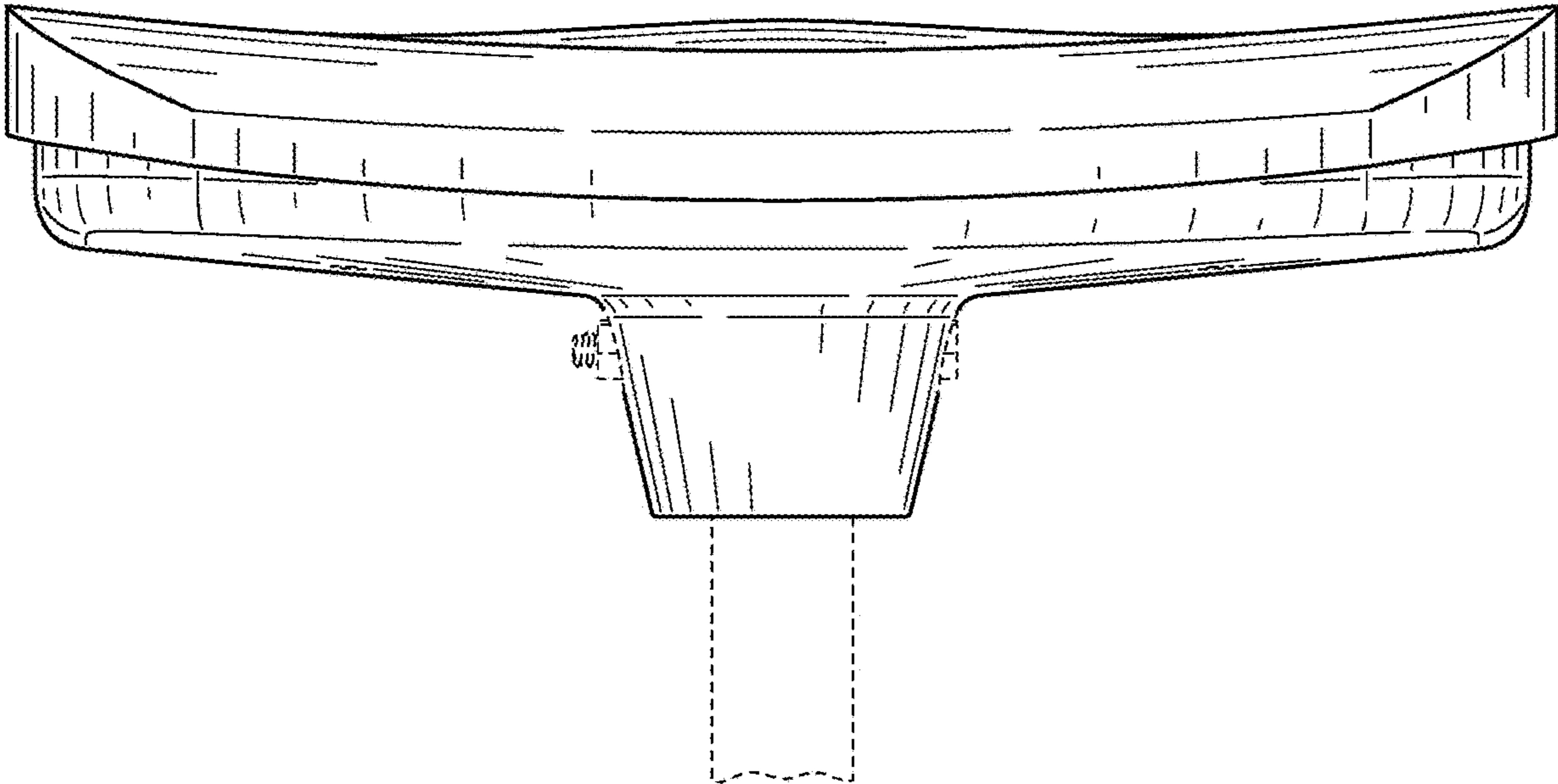


FIG. 4

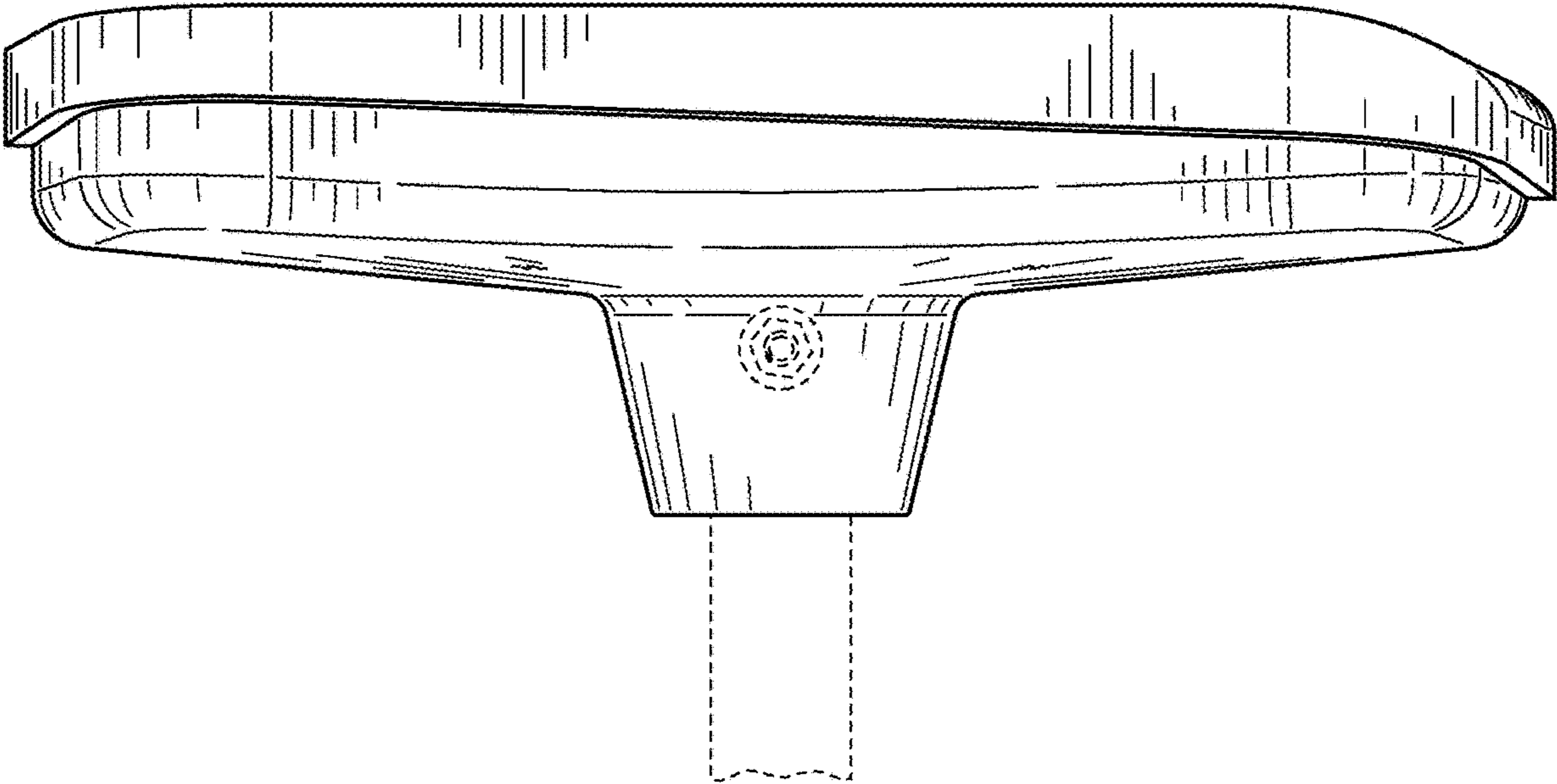


FIG. 5

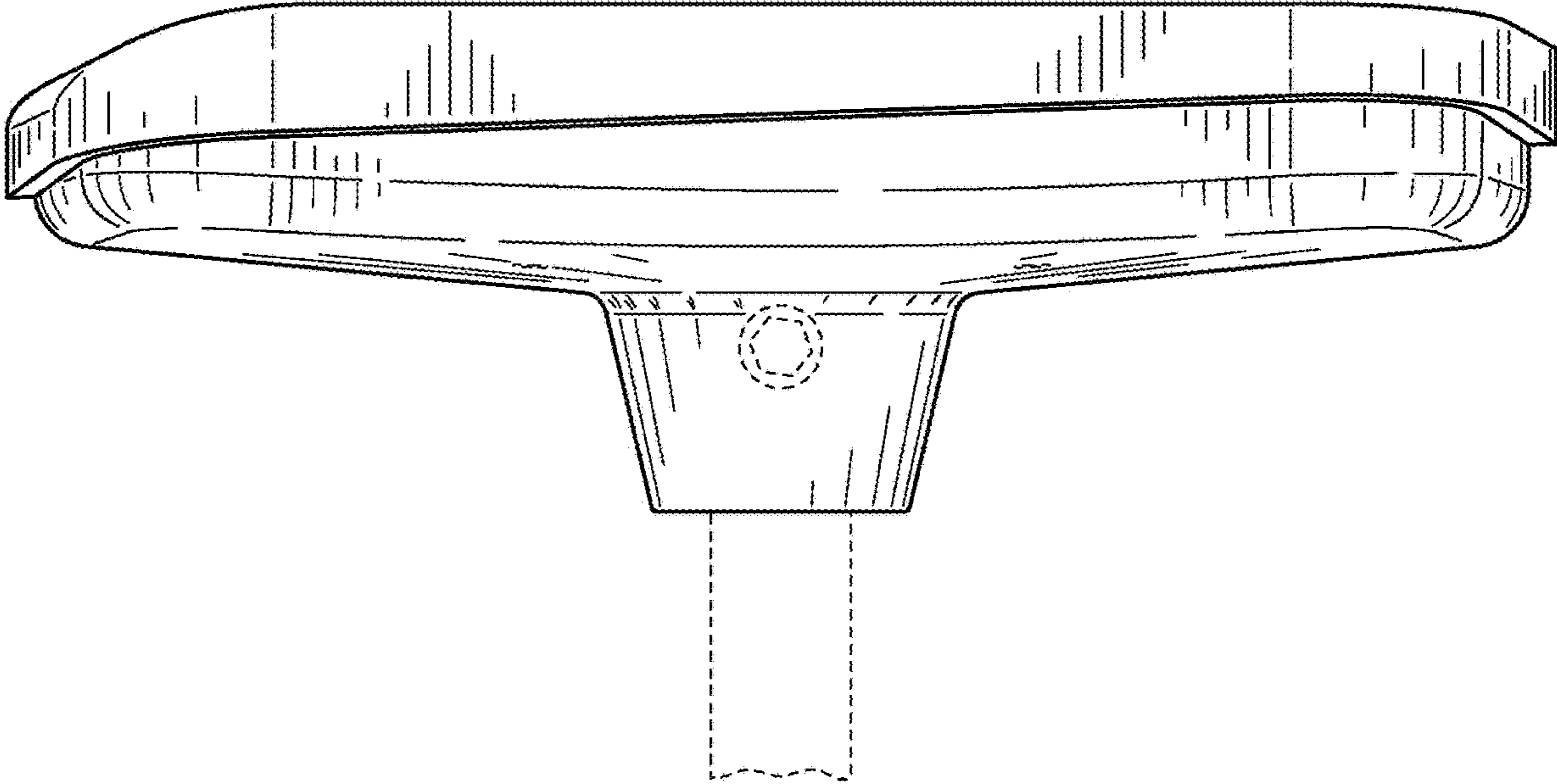


FIG. 6

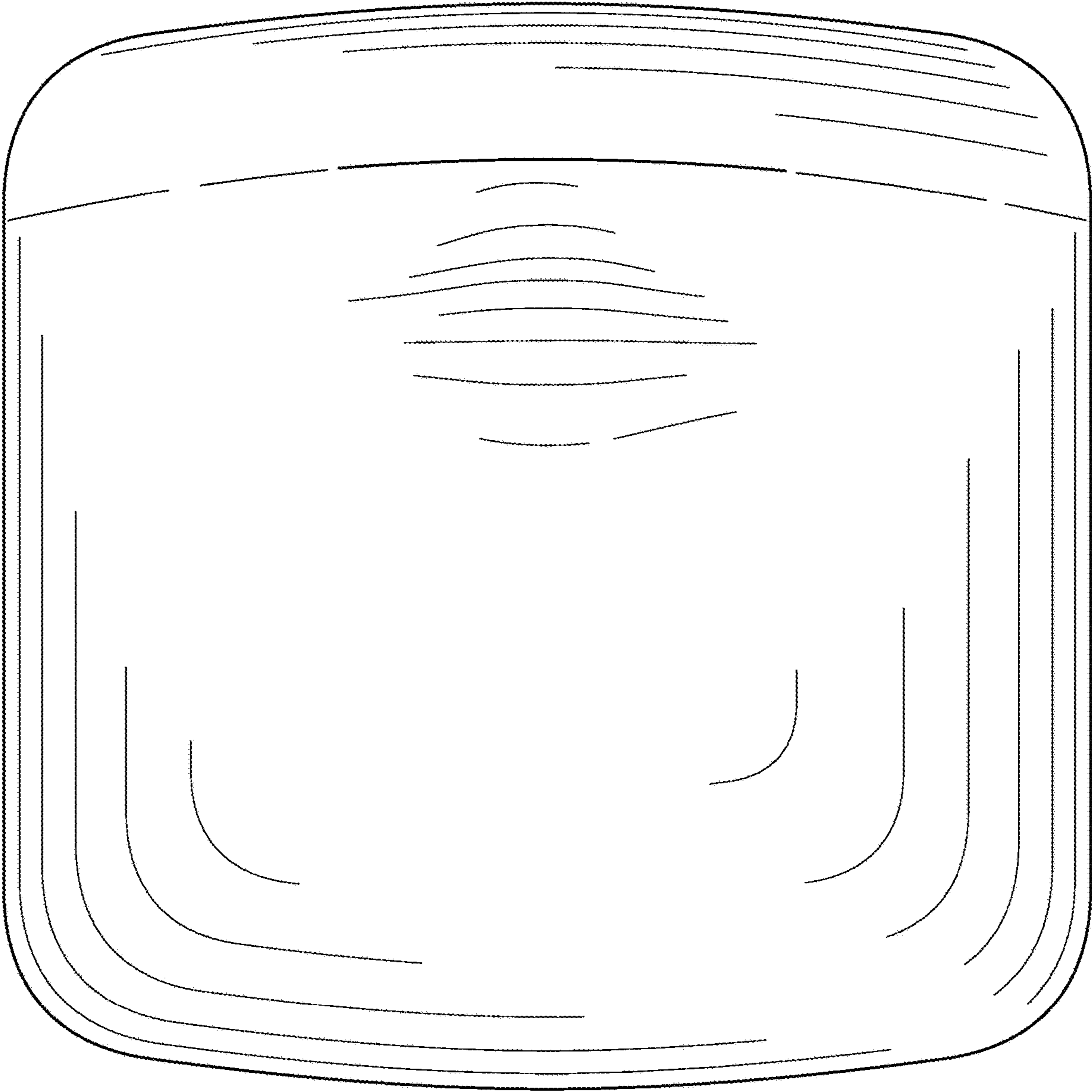


FIG. 7



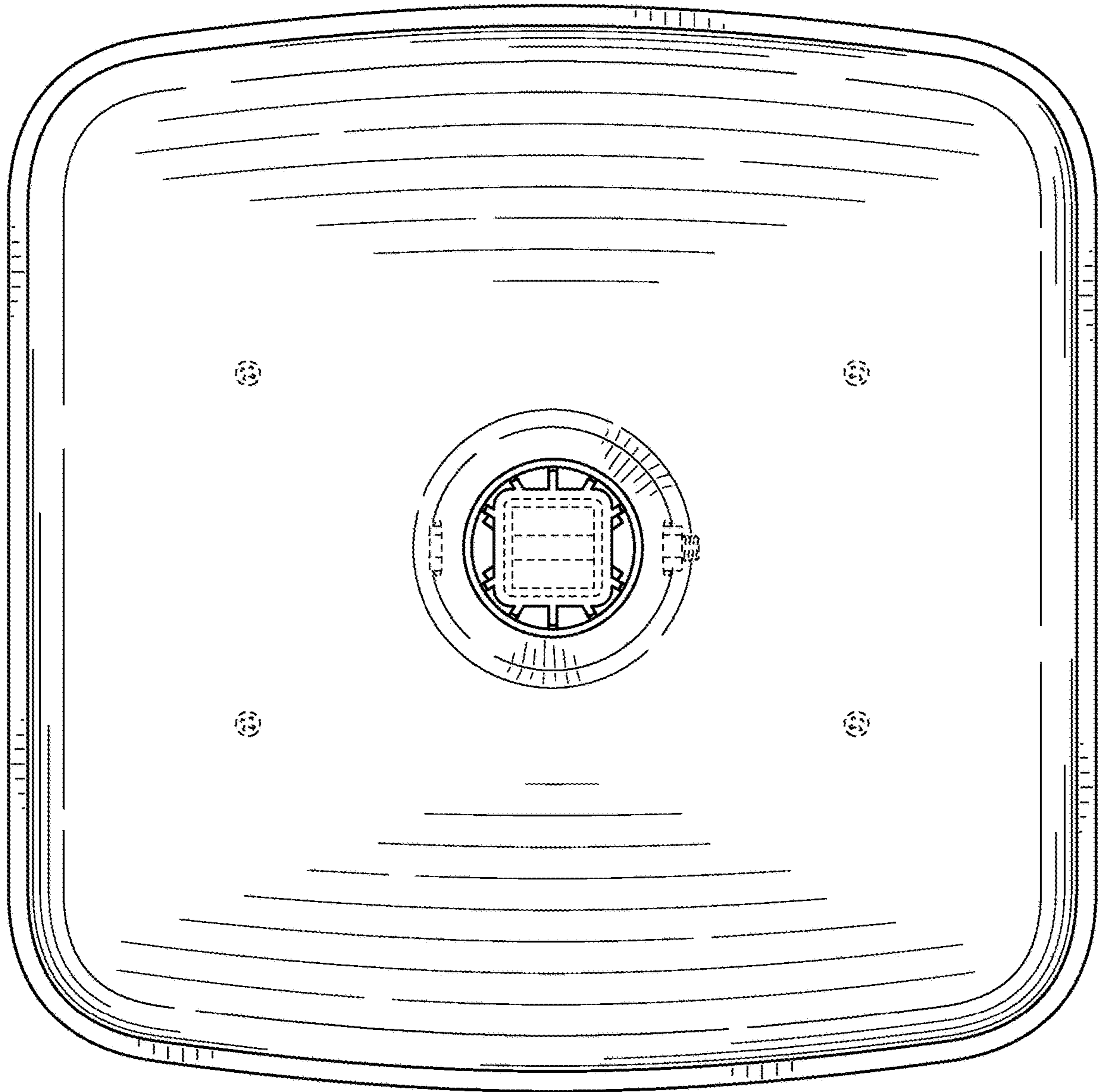


FIG. 8

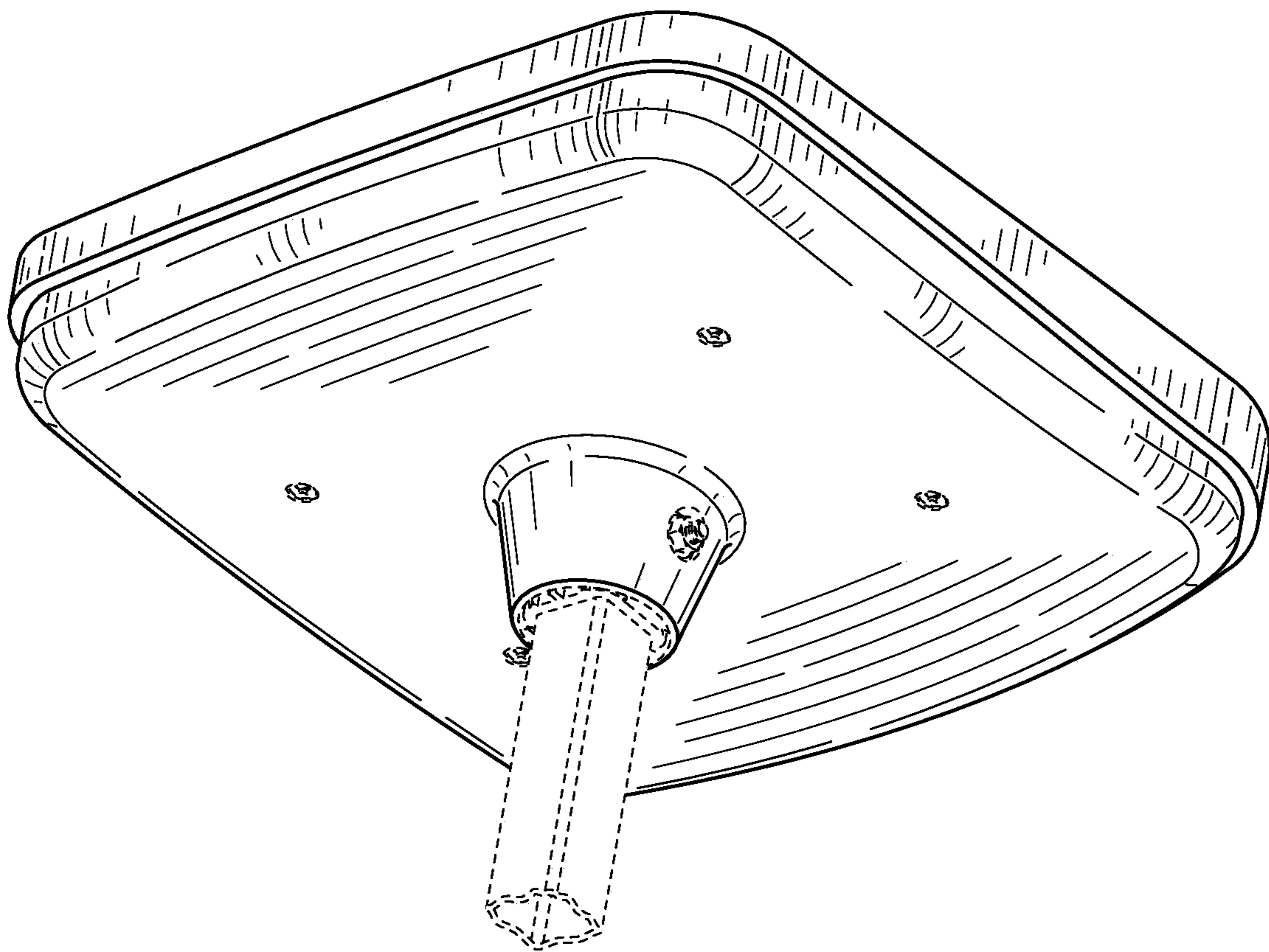


FIG. 9



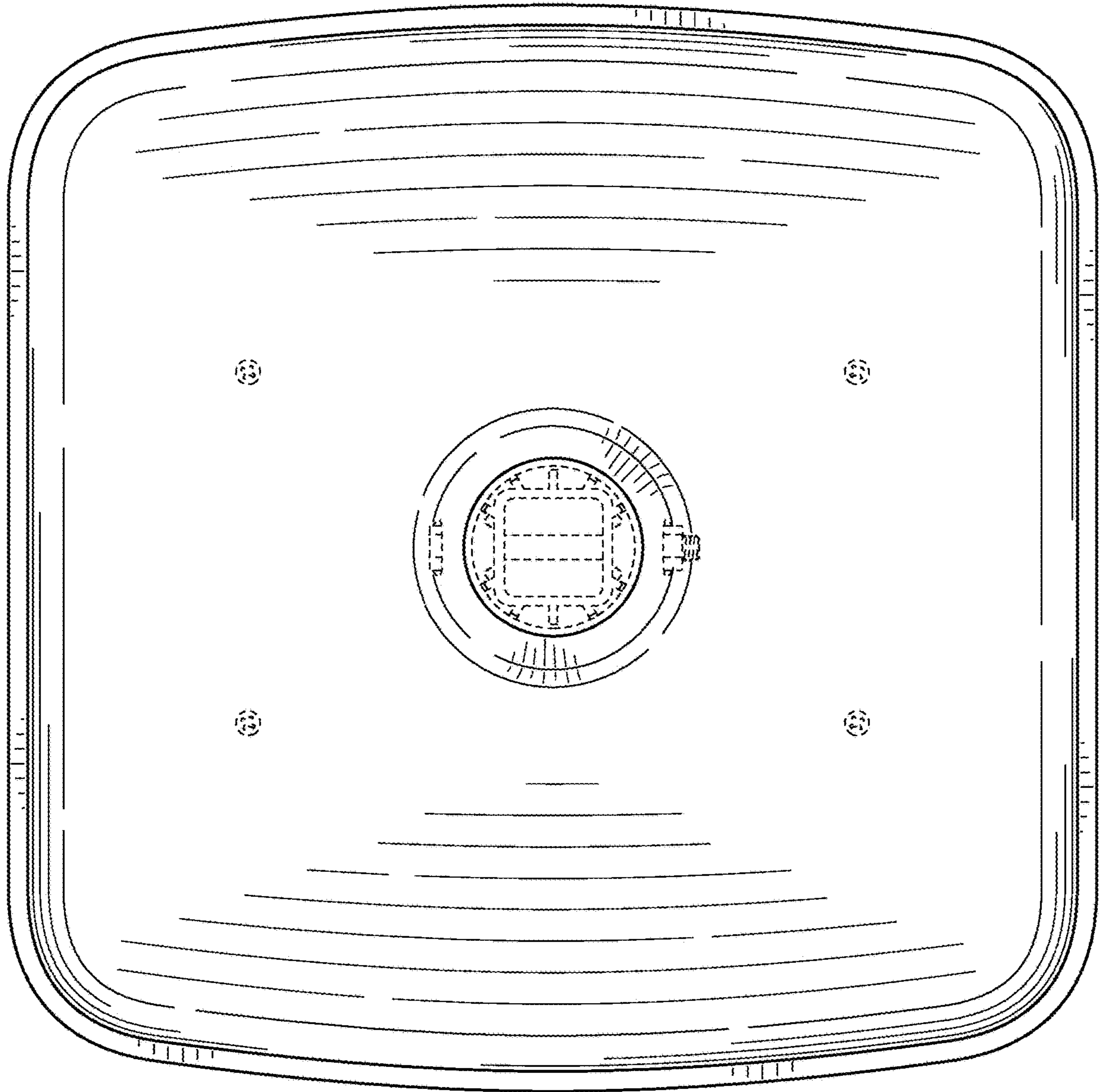


FIG. 10

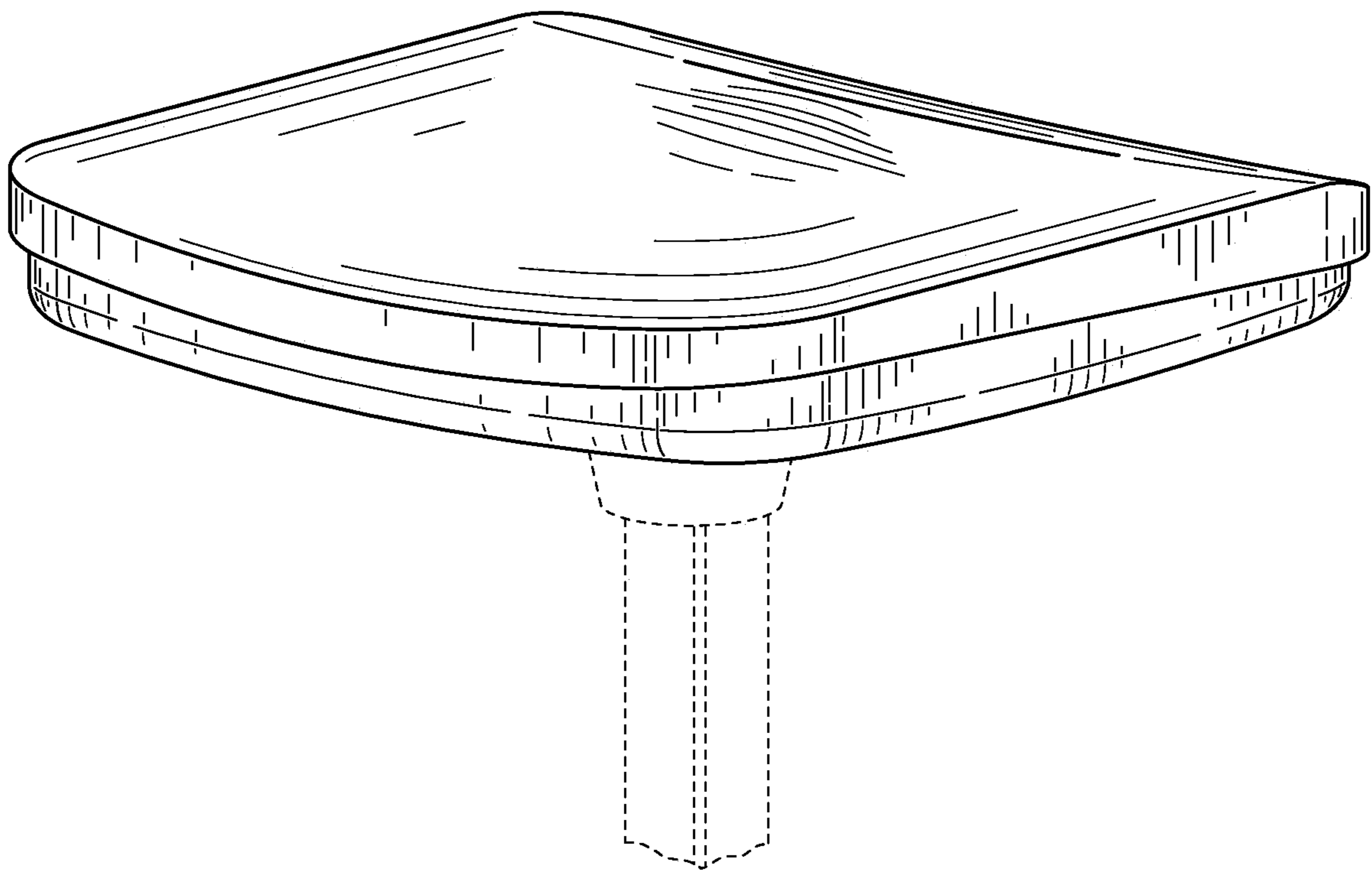


FIG. 11

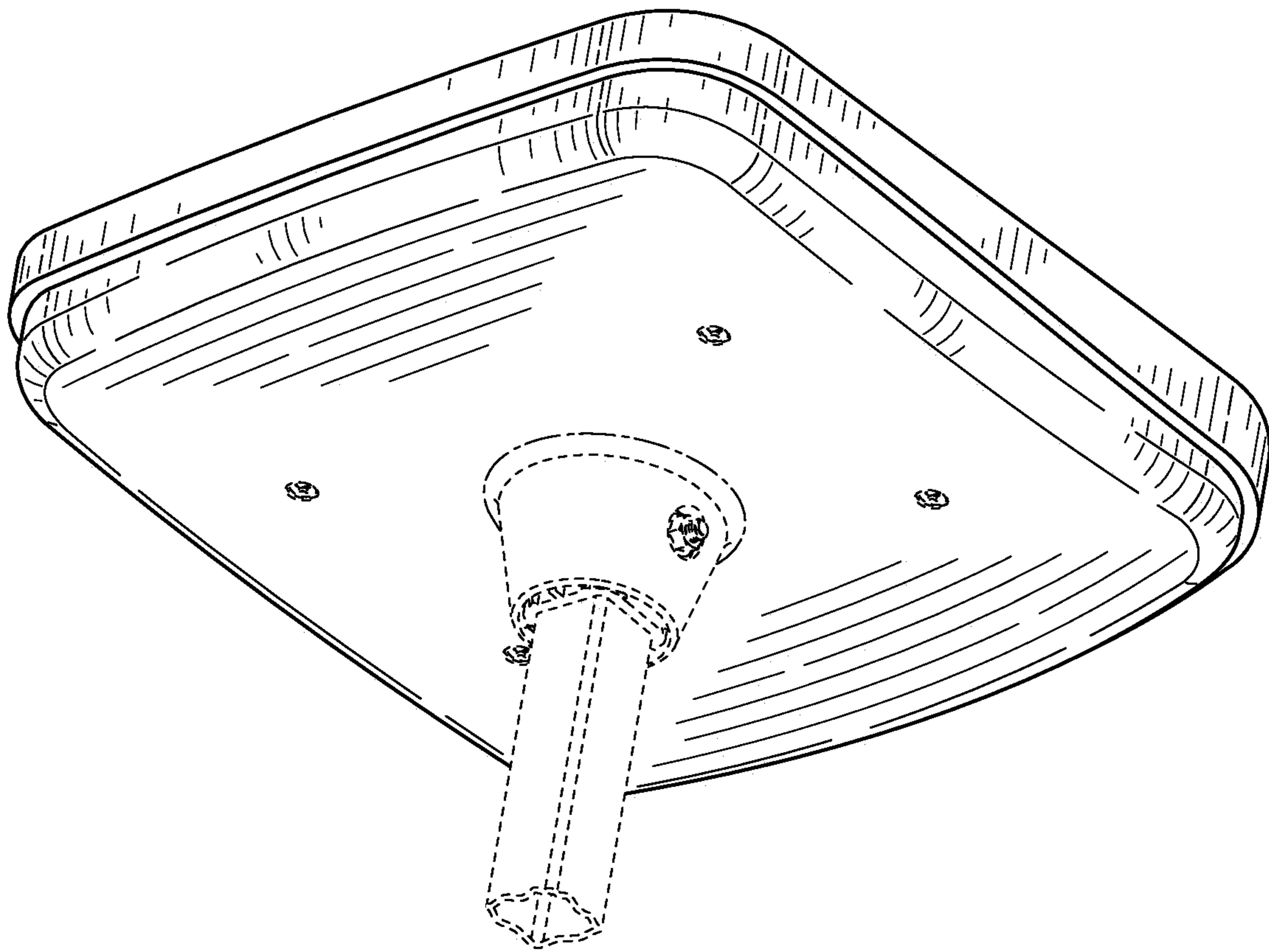


FIG. 12

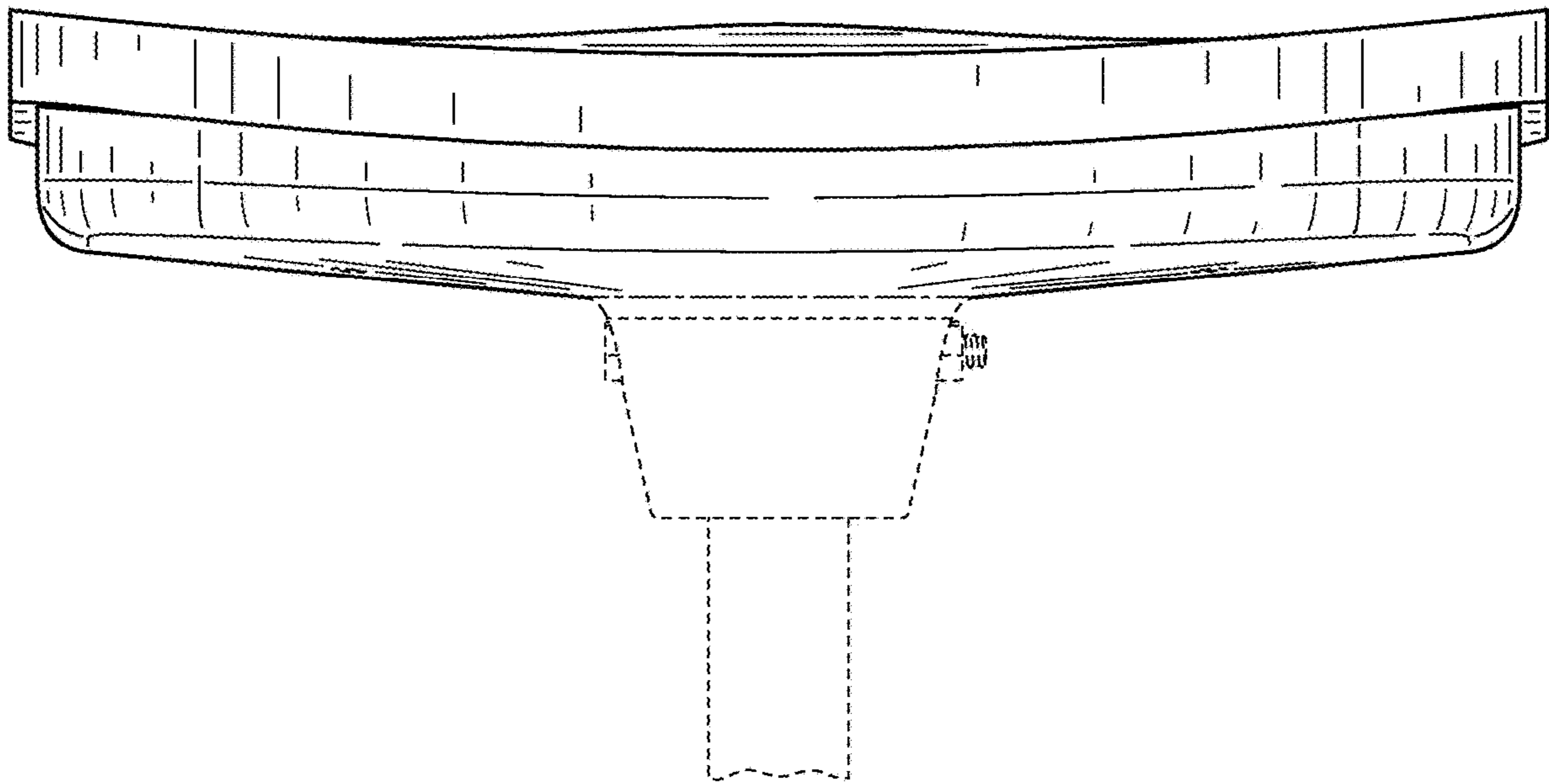


FIG. 13

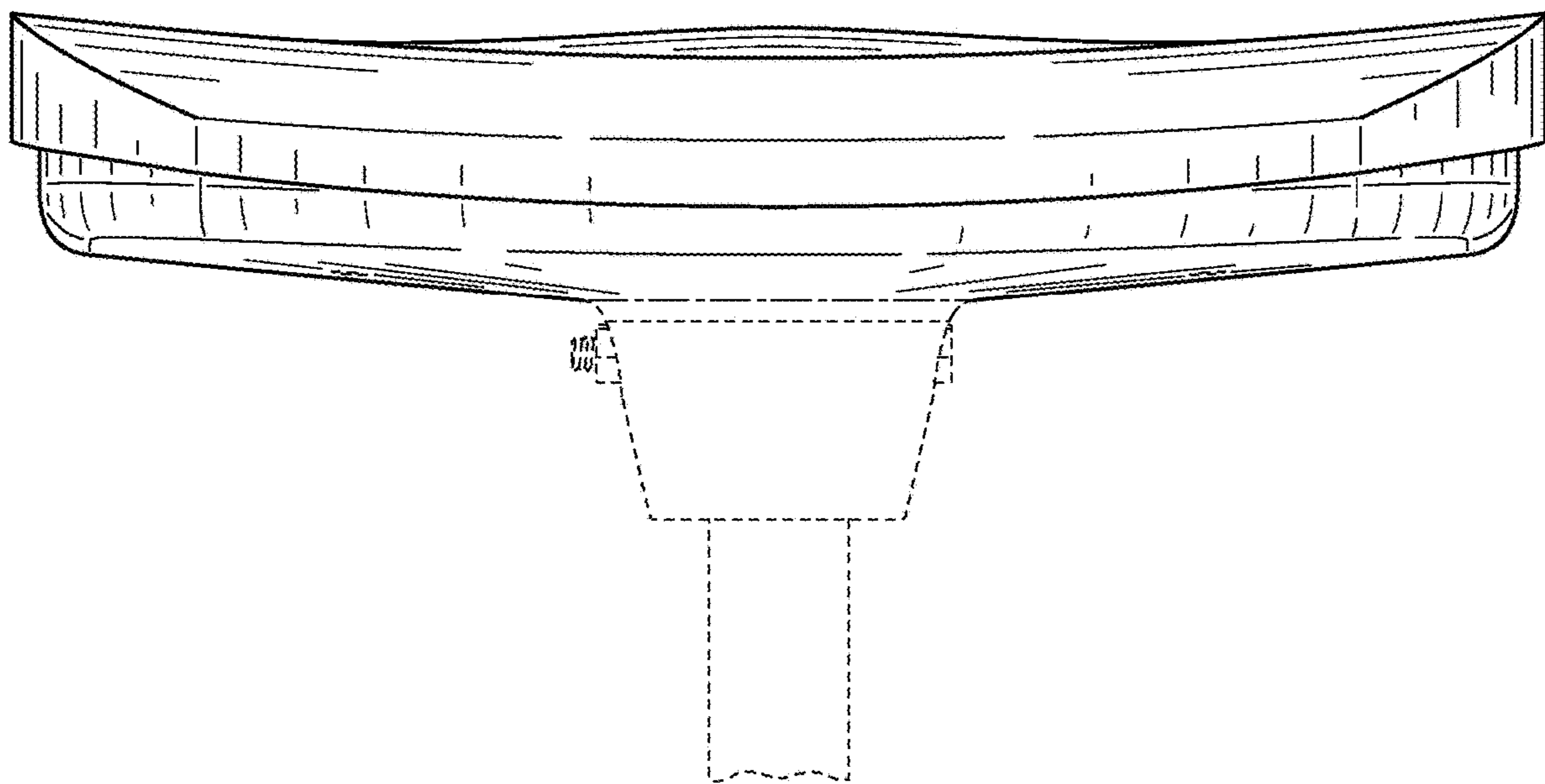


FIG. 14



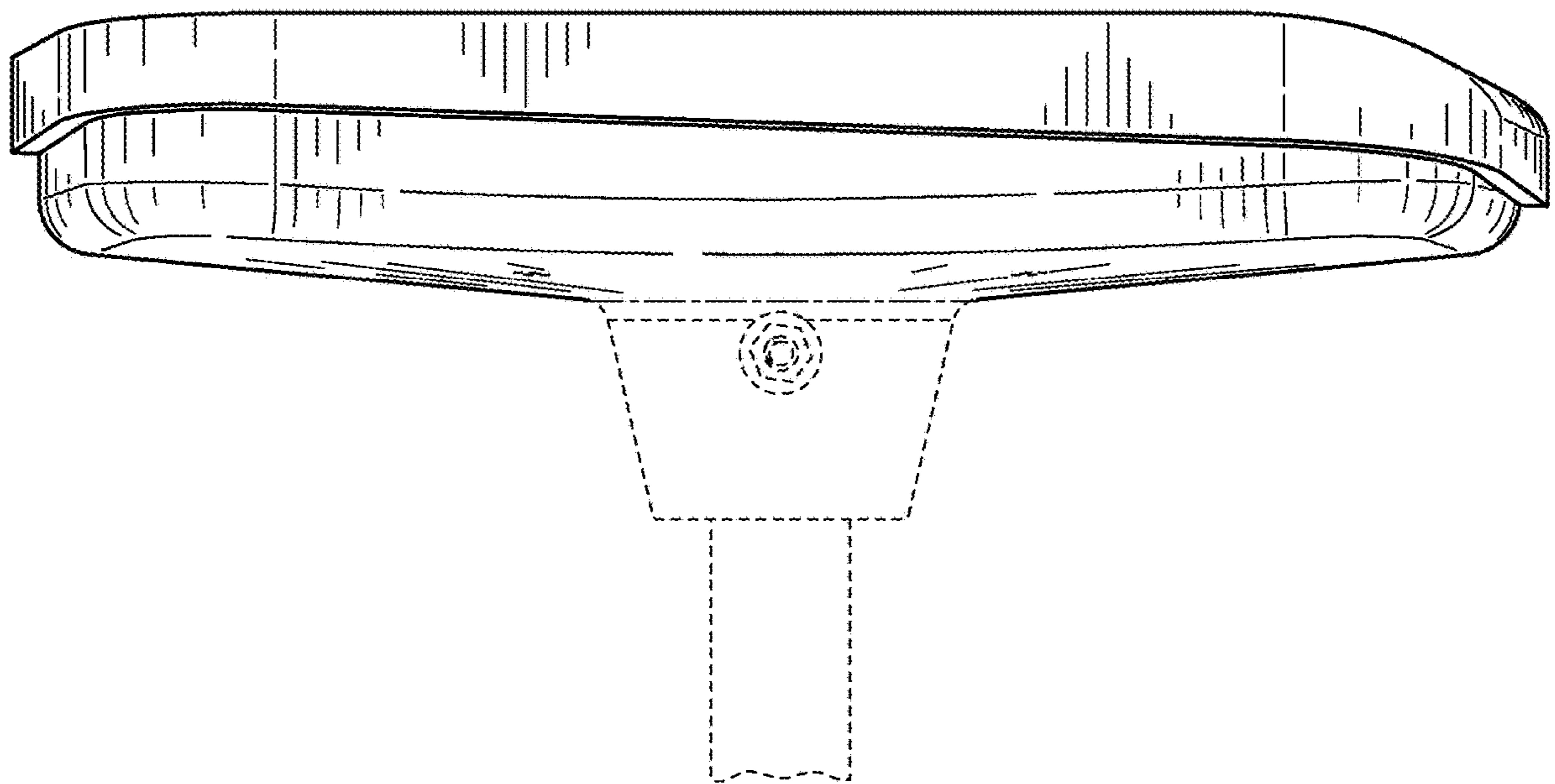


FIG. 15

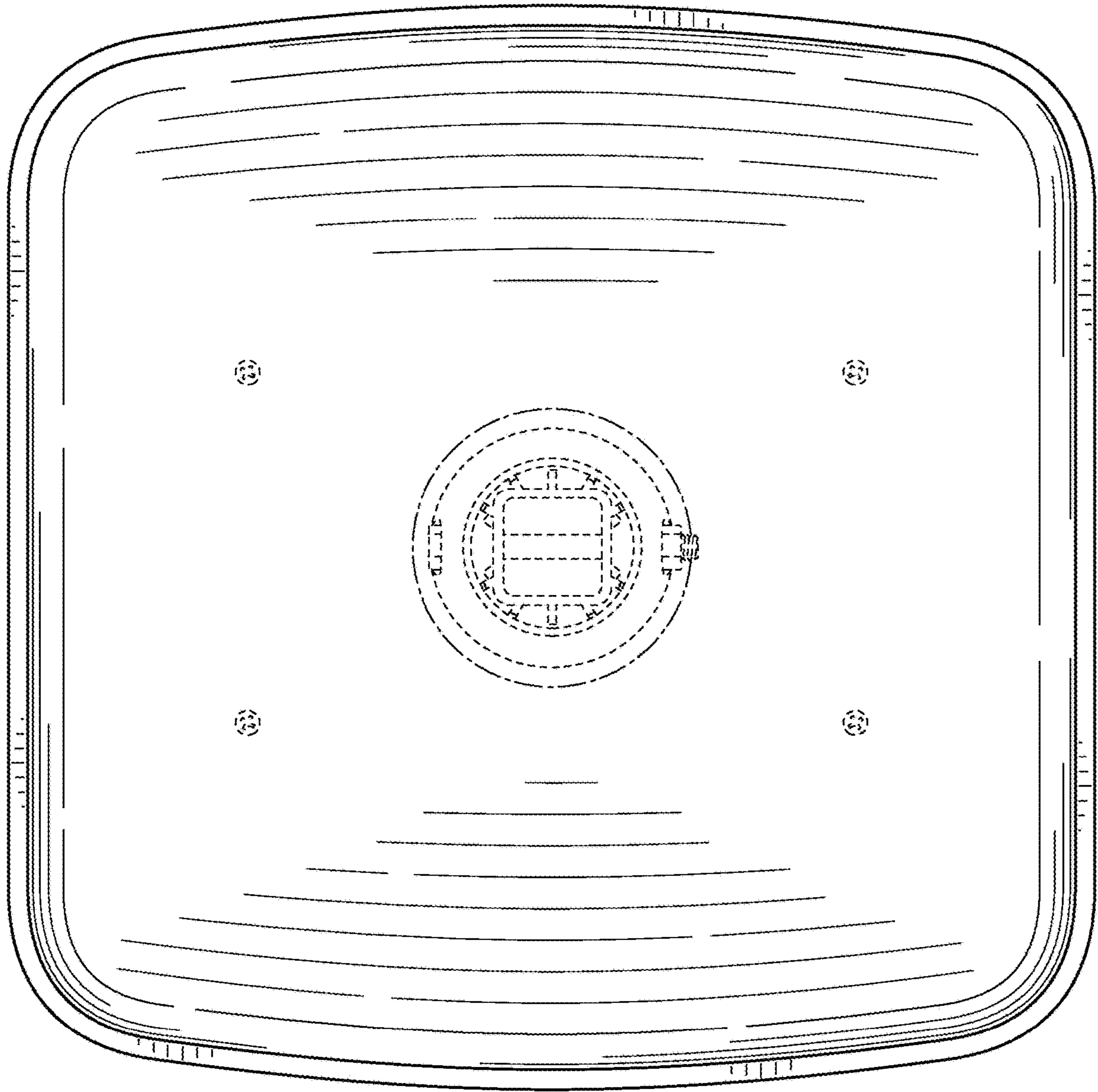


FIG. 16