



US00D893931S

(12) **United States Design Patent**
Katakura et al.

(10) **Patent No.:** **US D893,931 S**

(45) **Date of Patent:** **** Aug. 25, 2020**

(54) **SEATS FOR AIRLINE PASSENGERS**

(71) Applicant: **JAMCO Corporation**, Mitaka-shi,
Tokyo (JP)

(72) Inventors: **Sachiko Katakura**, Tokyo (JP); **Hisaya Hagiwara**, Tokyo (JP); **Rei Kigoshi**,
Tokyo (JP)

(73) Assignee: **JAMCO CORPORATION**, Tokyo (JP)

(**) Term: **15 Years**

(21) Appl. No.: **29/689,831**

(22) Filed: **May 2, 2019**

(30) **Foreign Application Priority Data**

Mar. 13, 2019 (JP) 2019-005250

(51) **LOC (12) Cl.** **06-01**

(52) **U.S. Cl.**
USPC **D6/716; D6/356**

(58) **Field of Classification Search**
USPC D6/334-336, 338, 356, 367, 371, 373,
D6/716, 716.1, 716.2, 716.3, 716.4,
D6/716.5; D12/195

CPC B64D 11/00; B64D 11/06; B64D 11/0601;
B64D 11/0602; B64D 11/0605; B64D
11/0606; B64D 11/0641; B64D 11/0646;
B64D 11/0647; B64D 11/0015; B64D
11/00152; B64D 11/00153

See application file for complete search history.

(56) **References Cited**

U.S. PATENT DOCUMENTS

D510,816 S * 10/2005 Lee D6/356
D583,579 S * 12/2008 Pearson D6/356

D661,116 S * 6/2012 Darbyshire D6/356
D741,075 S * 10/2015 Lawson D6/356
9,864,559 B2 * 1/2018 Szelove B64D 11/0015
9,938,015 B2 * 4/2018 Savian B64D 11/0601
D856,692 S * 8/2019 Veneruso D6/356

FOREIGN PATENT DOCUMENTS

CA 2866748 A1 * 9/2013 H05K 7/00
EP 3546357 A1 * 10/2019 B64D 11/0641
WO WO-2010012910 A2 * 2/2010 B64D 11/06

* cited by examiner

Primary Examiner — Mimoso De

(74) *Attorney, Agent, or Firm* — Westerman, Hattori,
Daniels & Adrian, LLP

(57) **CLAIM**

The ornamental design for seats for airline passengers, as shown and described herein.

DESCRIPTION

FIG. 1 is a perspective view seats for airline passengers, showing our new design;
FIG. 2 is a front view thereof;
FIG. 3 is a rear view thereof;
FIG. 4 is a top plan view thereof;
FIG. 5 is a bottom view thereof;
FIG. 6 is a right side view thereof;
FIG. 7 is a left side view thereof; and,
FIG. 8 is a reference view showing used sate seats for airline passengers view thereof.

The broken lines in the drawings illustrate portions of seats for airline passengers that form no part of the claimed design.

1 Claim, 4 Drawing Sheets

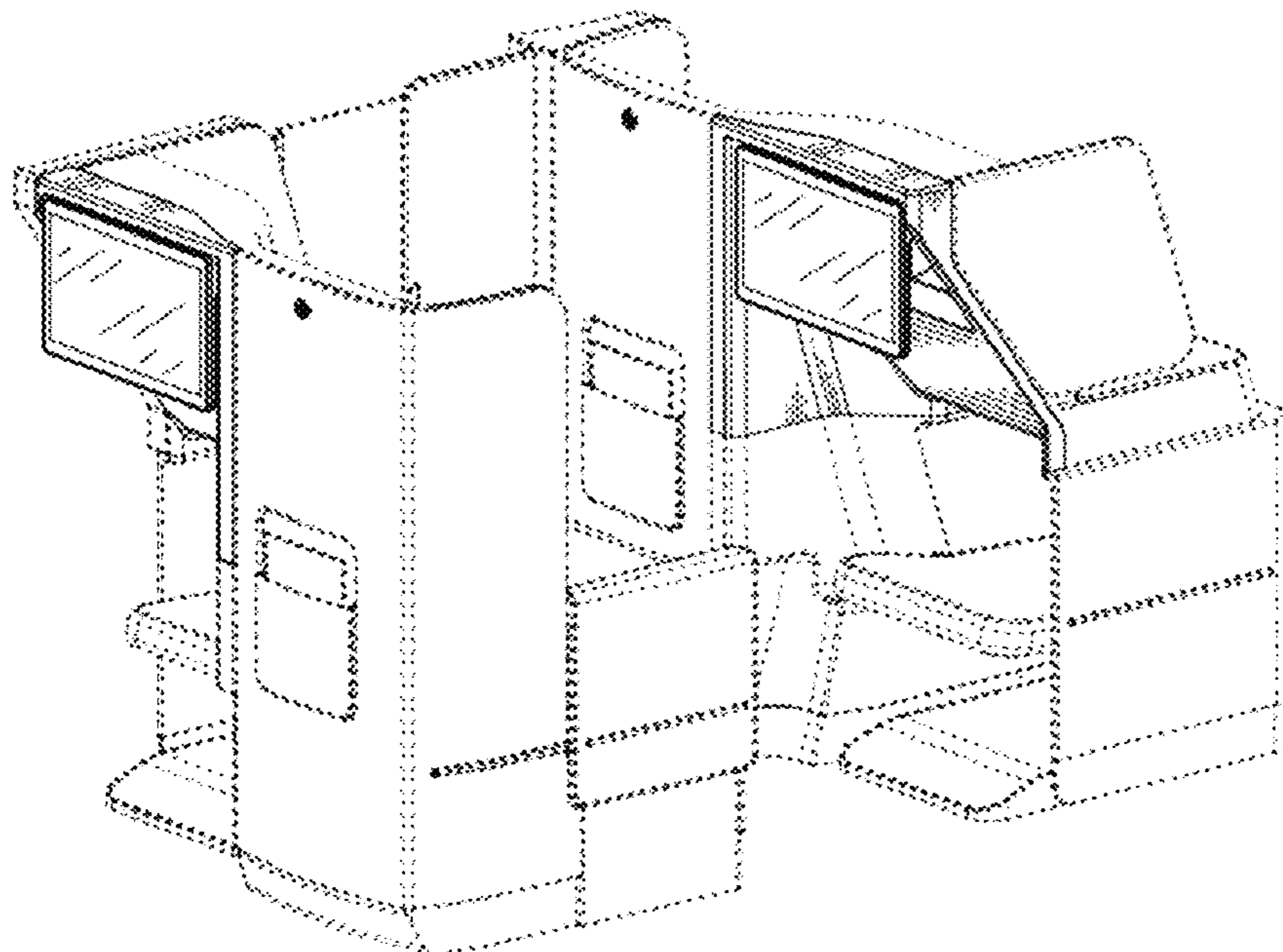


Fig.1

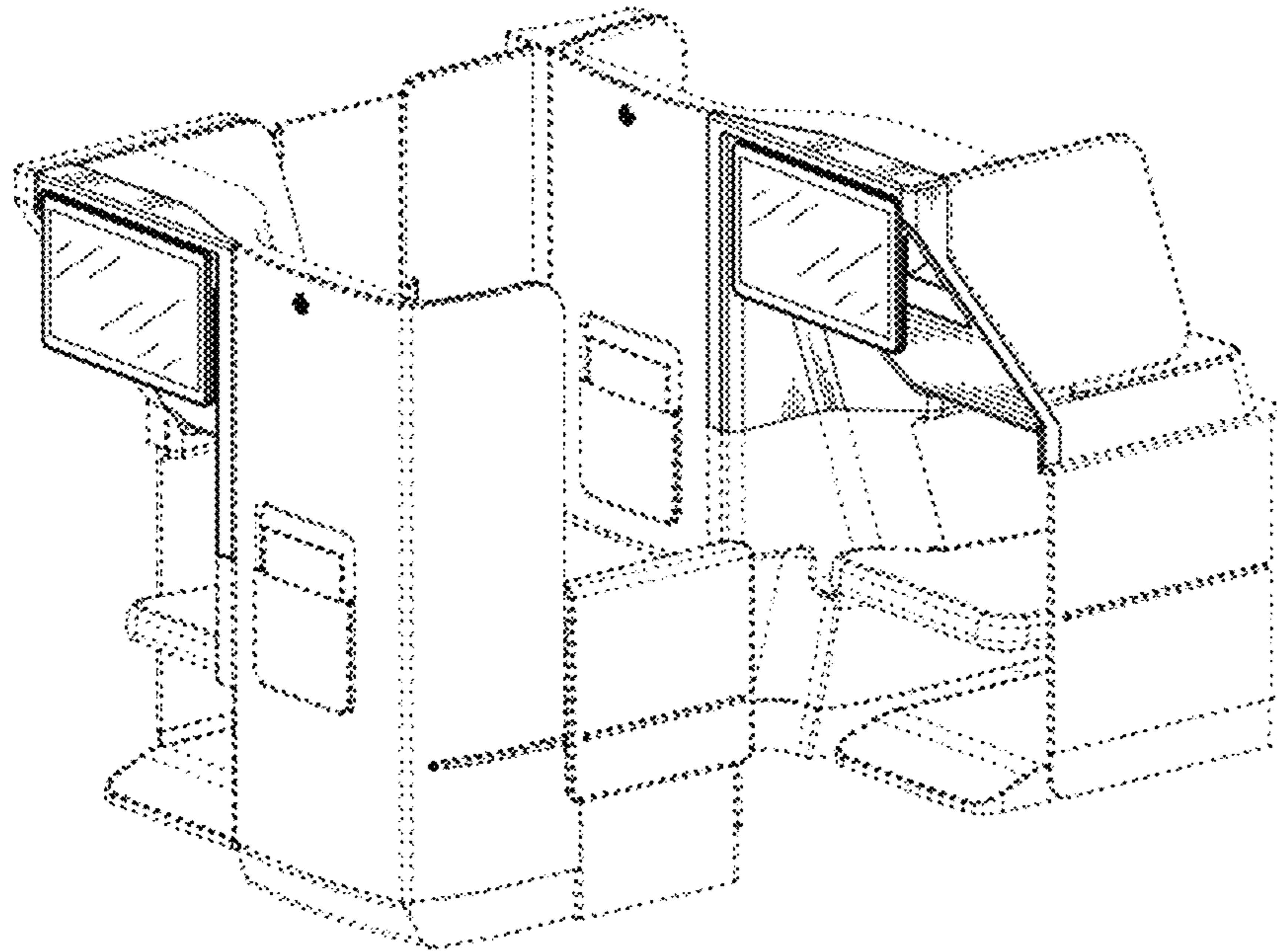


Fig.2

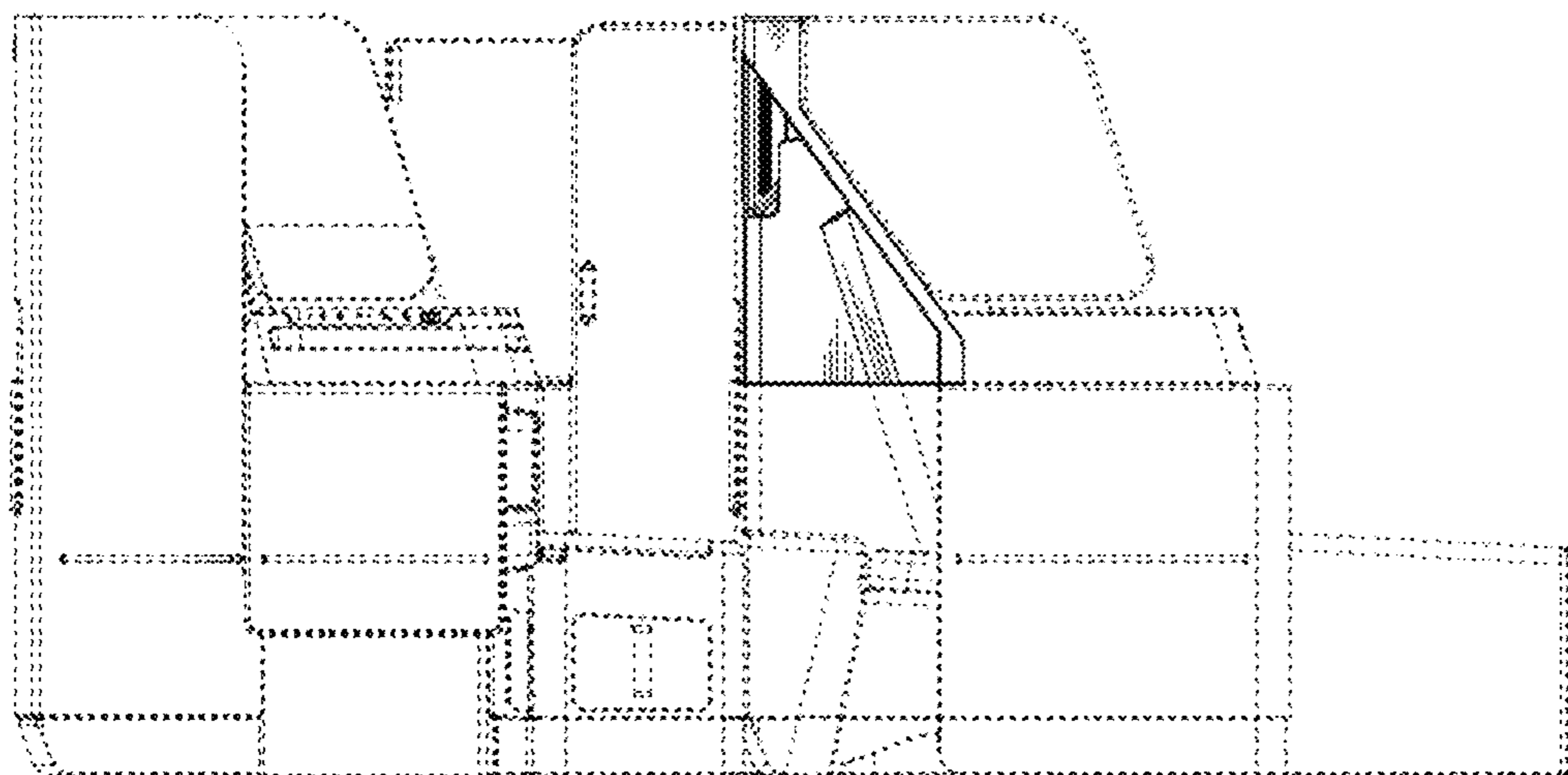


Fig.3

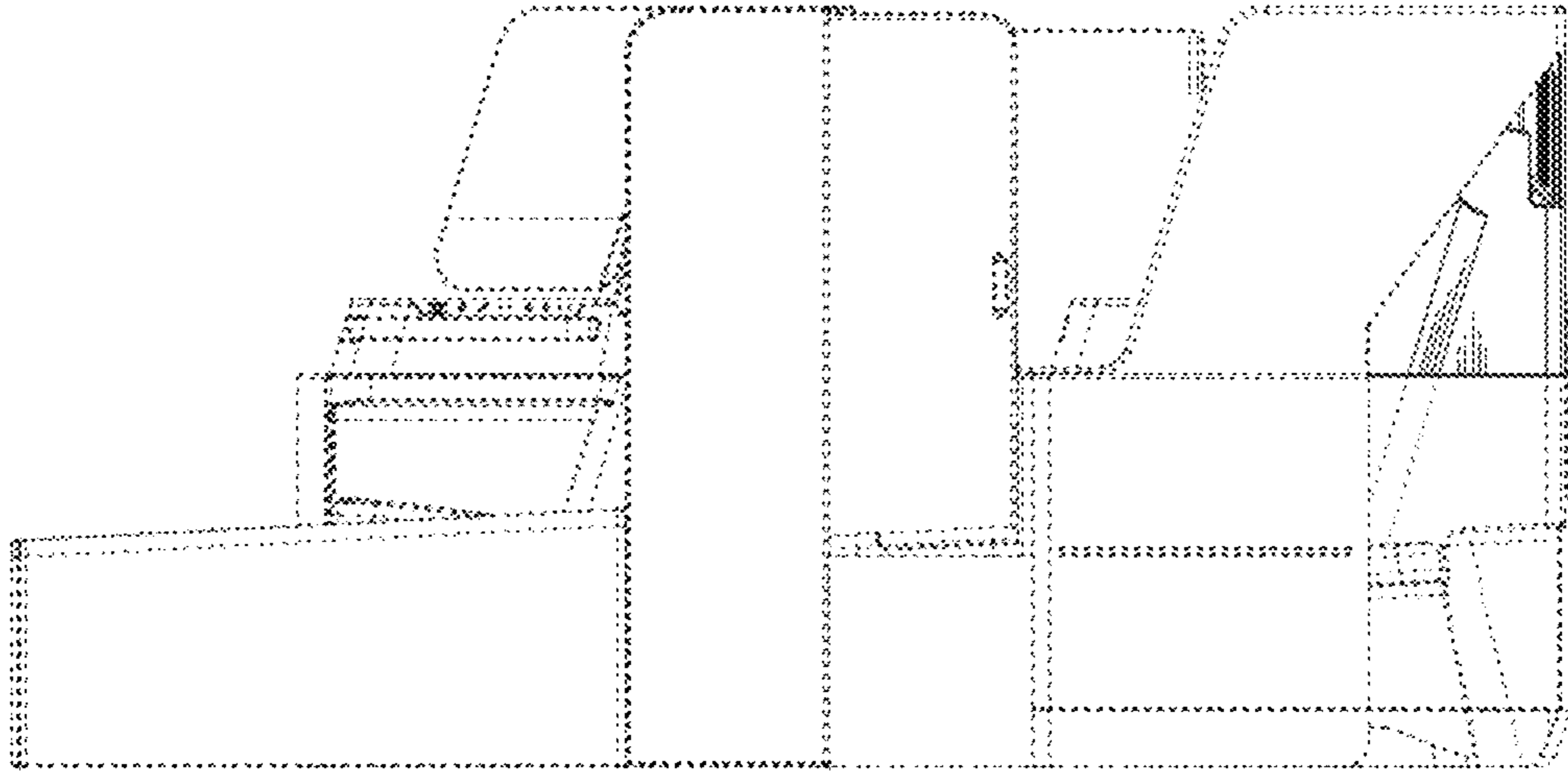


Fig.4

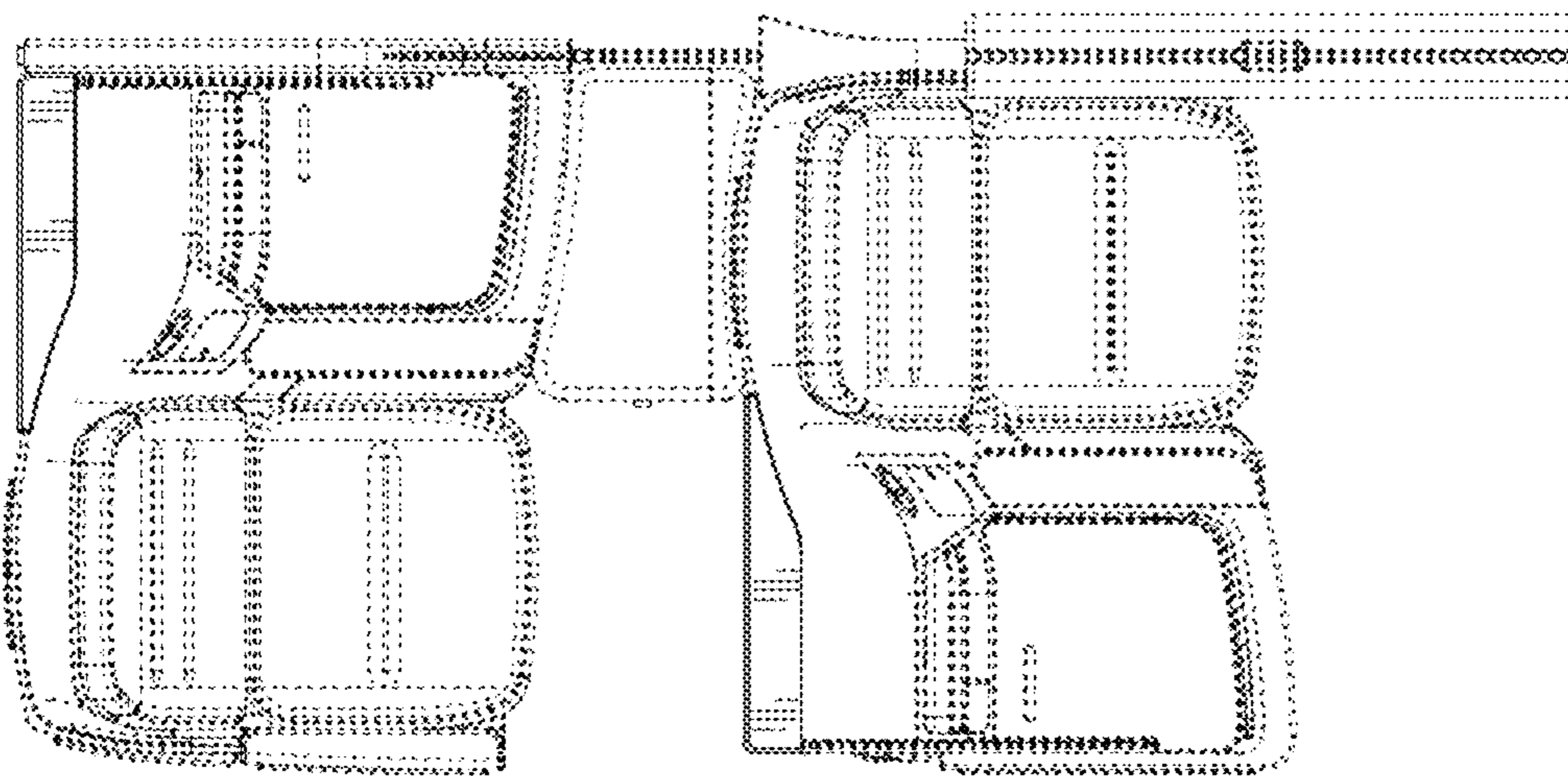


Fig.5

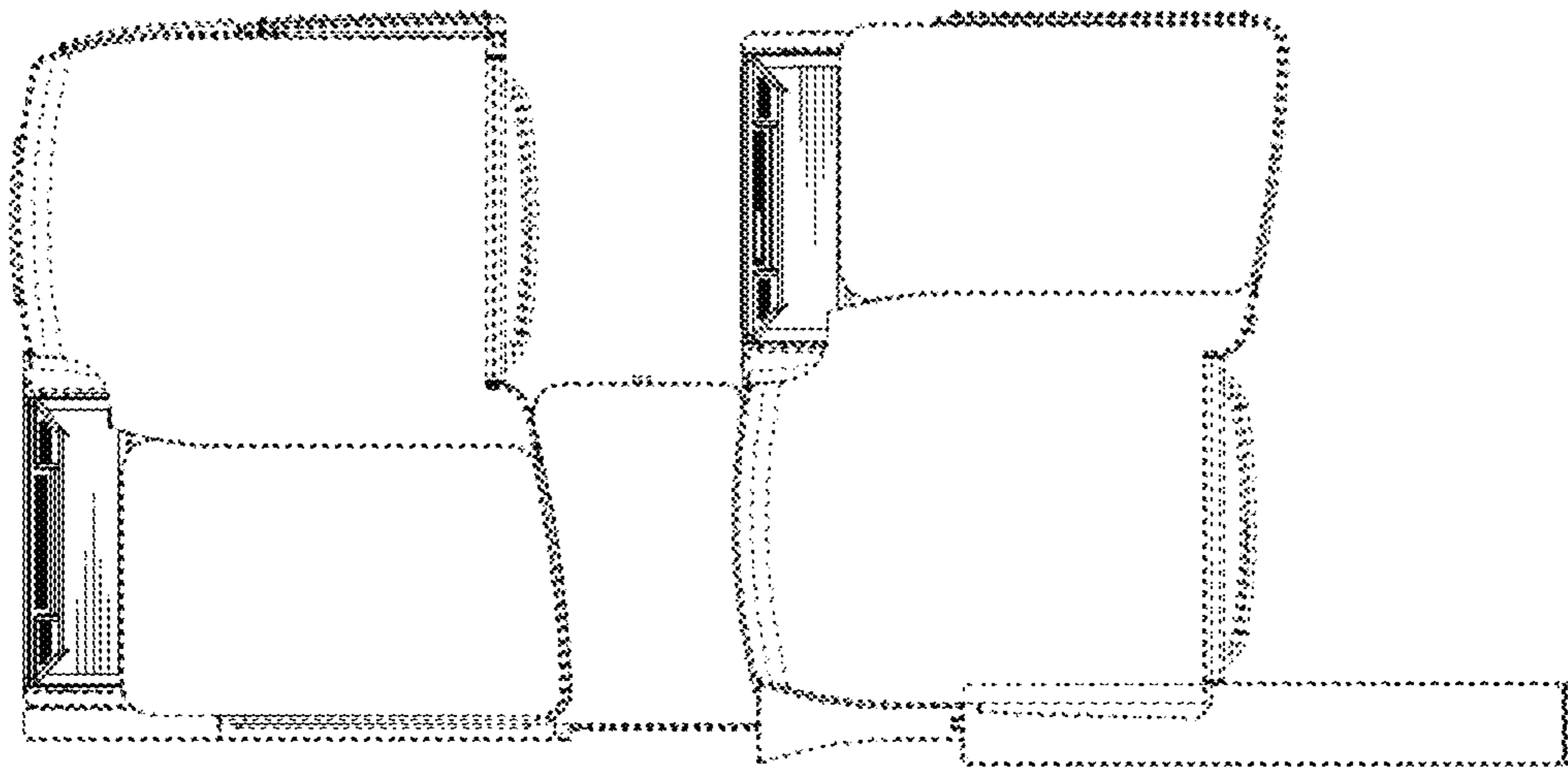


Fig.6

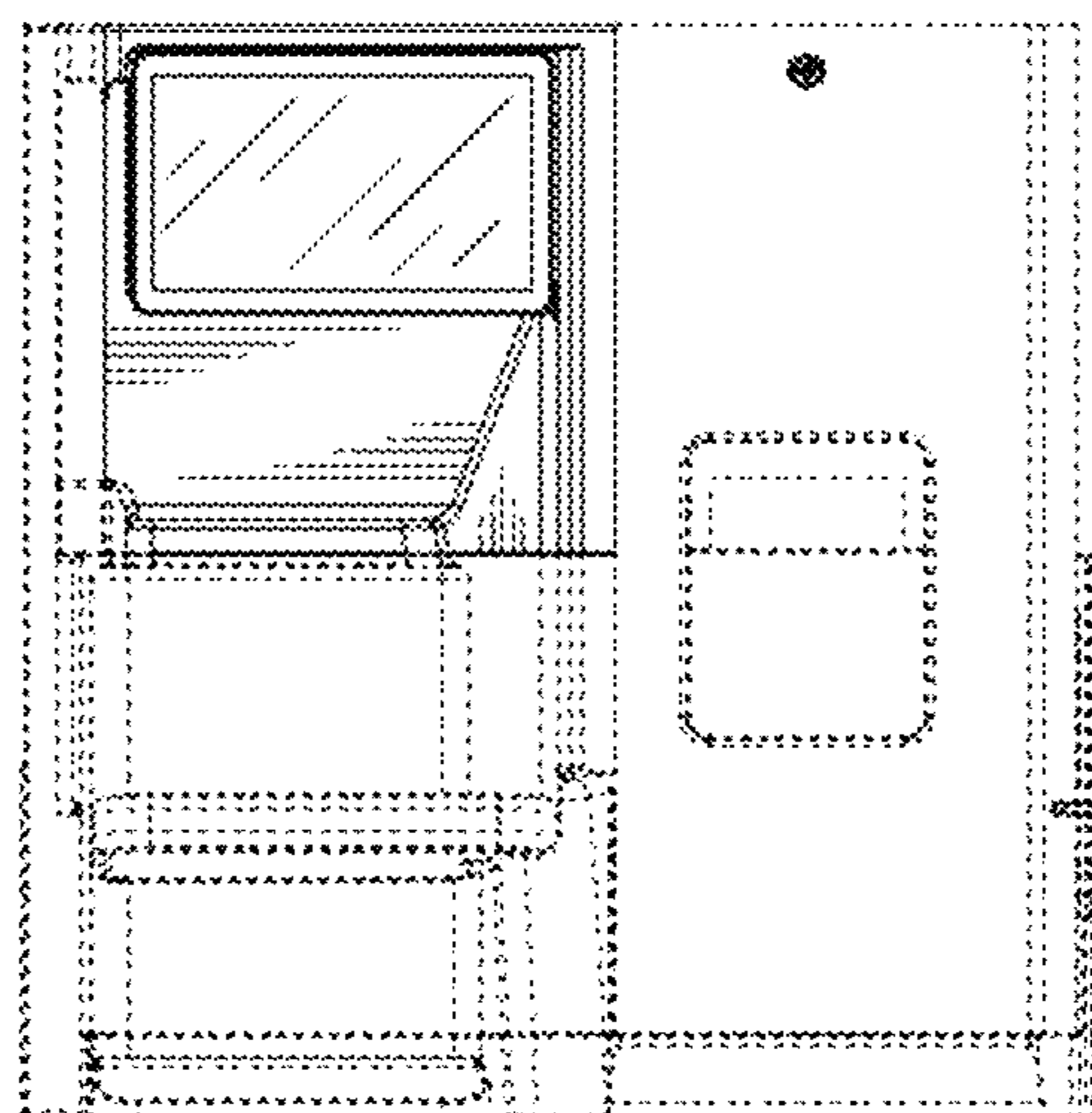


Fig.7

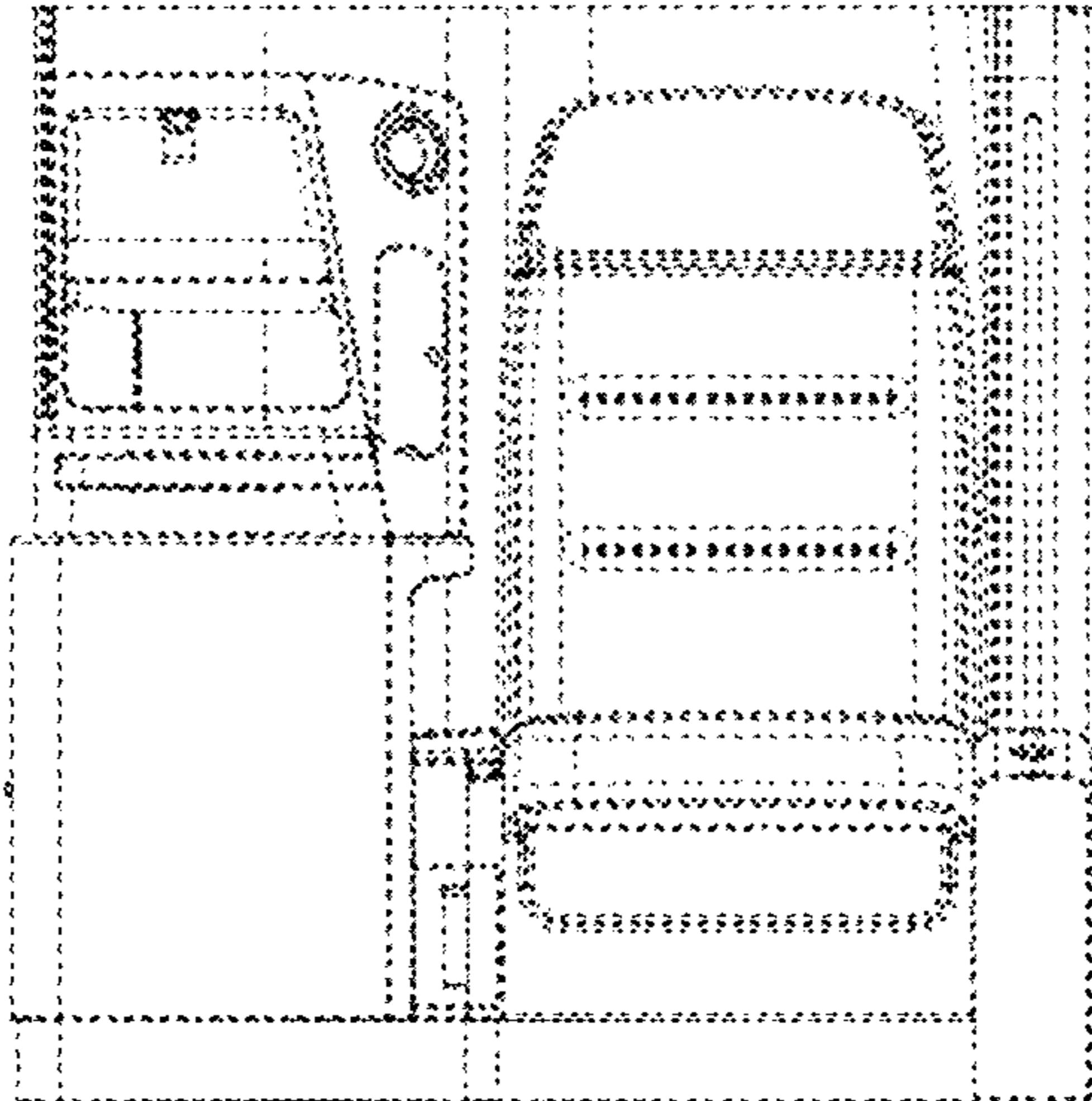


Fig.8

